



HEARTH PRODUCTS

LENNOX HEARTH PRODUCTS



**SAVE THESE INSTRUCTIONS
FOR FUTURE REFERENCE**

INSTALLATION AND OPERATION INSTRUCTIONS

MERIT™ PLUS SERIES

33" Electric Fireplace
P/N 850,032M REV. E 04/2007

MODEL: *MPE-33R*

This manual will enable you to obtain a safe, efficient and dependable installation and operation of your electric fireplace. Please read and understand these instructions before beginning your installation.

Do not alter or modify this fireplace or its components under any circumstances. Any modification or alteration of the fireplace system, including but not limited to the fireplace and accessories, may void the warranty, listings and approvals of this system and could result in an unsafe and potentially dangerous installation.

IMPORTANT! IF OPTIONAL GLASS DOORS ARE PURCHASED, TO ASSURE PROPER ALIGNMENT, INSTALL THIS FIREPLACE IN A SQUARE AND PLUMB CONDITION, USING SHIMS AS NECESSARY AT SIDES. THIS APPLIANCE IS MOUNTED ON RUBBER FEET TO ENSURE ADEQUATE AIR CIRCULATION BENEATH FIREPLACE. DO NOT BLOCK AIRFLOW AT THE BOTTOM AIR INTAKES.

**INSTALLER: DO NOT DISCARD THIS MANUAL
PLEASE LEAVE FOR THE HOMEOWNER**

FOR YOUR SAFETY

DO NOT STORE OR USE GASOLINE OR OTHER FLAMMABLE VAPORS AND LIQUIDS IN THE VICINITY OF THIS OR ANY OTHER APPLIANCE.

Lennox™ electric fireplaces are designed for use as a decorative appliance and/or as a supplemental heater. They are not intended for continuous use as a primary heat source.

*A French manual is available upon request. Order P/N 850,032CF
Ce manuel d'installation est disponible en francais, simplement en faire la demande. Numéro de la pièce 850,032CF.*



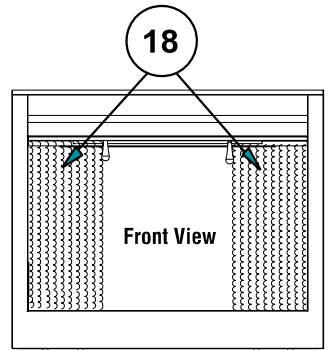
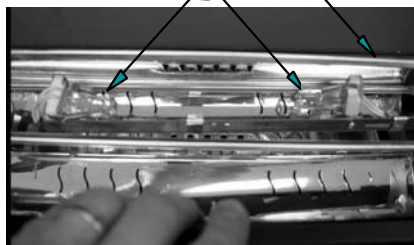
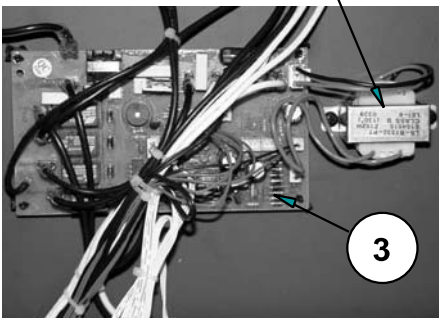
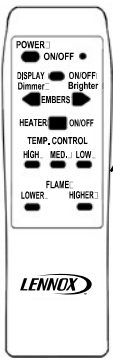
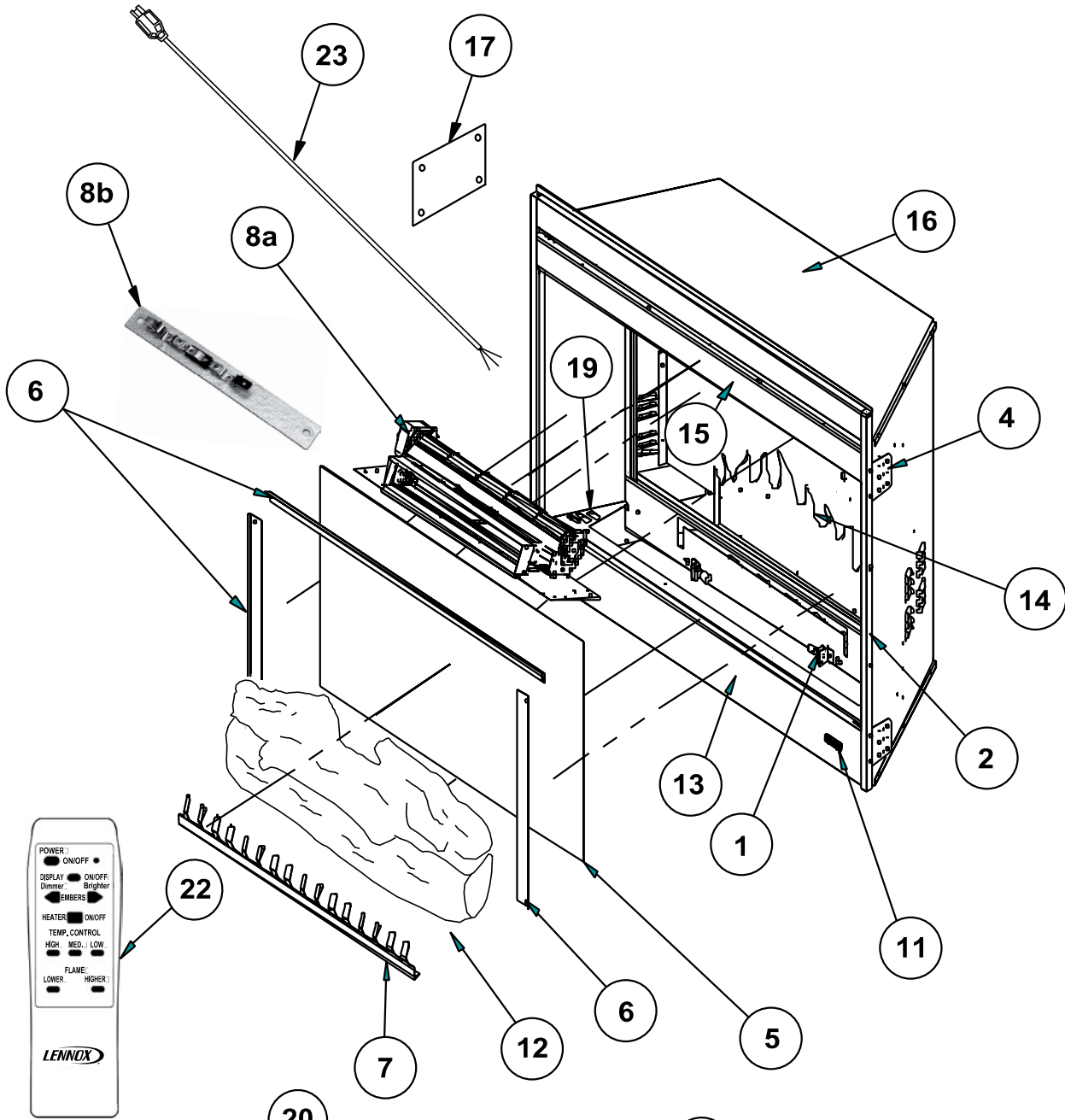
Report # C1482763

REPLACEMENT PARTS

ITEM NO.	DESCRIPTION	MPE-33R	
		CAT. NO.	QTY
1	Bulb Kit, (10 Each 35w Halogen)	H1623	1
2	Side Frames, 1 Left And 1 Right	H1942	1
3	Circuit Board	H1625	1
4	Nailing Flange Kit, (4 Each)	H1626	1
5	Glass Brick Panel	H1943	1
6	Glass Retaining Bracket Kit: Left, Right, & Top	H1628	1
7	Grate Assembly	H1944	1
8a	Blower, Heating Element & Access Panel Assembly	H1630	1
8b	Fuse Plate Assembly (5 each)	H5043	1
9	Flame Cylinder Assembly	H1631	1
10	Flame Motor	H1632	1
11	Lennox Logo Kit (1 Each)	12L15	1
12	Log / Ember Bed Assembly	H1945	1
13	Panel, Bottom, Front	H1946	1
14	Panel, Flame Cover	H1947	1
15	Panel, Louver, Upper Front	H1948	1
16	Panel, Upper Frame Top	H1949	1
17	Electrical Outlet Cover Plate	H1639	1
18	Screen Set, Pull	H1640	1
19	Switch, Toggle (1 Each)	H1641	1
20	Transformer Assembly	H1642	1
21	Wire Harness	H1643	1
22	Remote Control, Electric	H1644	1
23	Power Cord (110 V only)	H1645	1

Note: If touch-up paint is needed, use Rust-oleum®, Painter's Touch, Flat Black (part number 1976) available at most stores which sell aerosol touch-up paint.

REPLACEMENT PARTS COMPONENT DIAGRAMS - MPE-33R

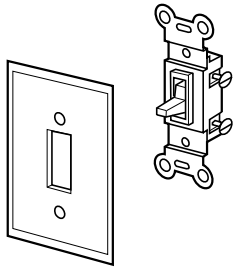


NOTE: DIAGRAMS & ILLUSTRATIONS NOT TO SCALE.

ACCESSORY COMPONENTS

The following items are available for use with this appliance.

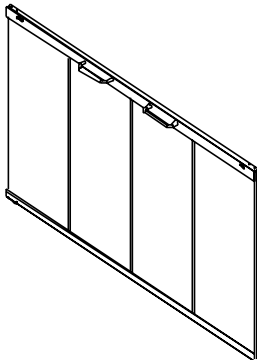
Wall Switch Kit



Cat. No.	Model	Description
85L87	FWSK	Wall Switch Kit, White

Glass Enclosure Kit

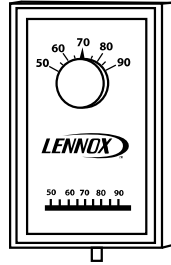
These glass enclosure panels are a one-piece panel, which have a bi-fold "look" as shown below.



Cat. No.	Model	Description
H3430	GEP-33BL	Glass Enclosure Panel, Black on Bronze
H3433	GEP-33PB	Glass Enclosure Panel, Brass on Bronze
H3434	GEP-33BS	Glass Enclosure Panel, Stainless on Bronze

Wall Thermostat

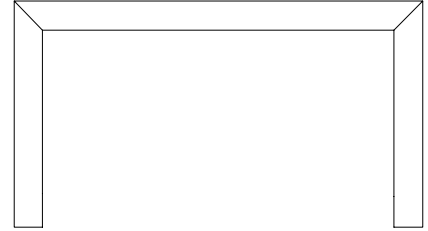
The wall thermostat kit provides temperature control for optimum comfort.



Cat. No.	Model	Description
89L36	WTK	Wall Thermostat Kit

Trim Kit

This kit contains trim panels used to finish the gaps between the wallboard and the fireplace, providing the appliance a finished built-in look.

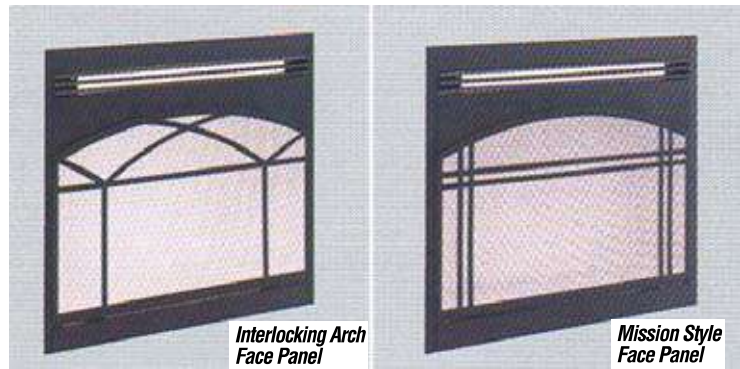


Cat. No.	Model	Description
H3435	TK3-33BL	3-pc. Black Trim Kit, MPE-33R
H3436	TK3-33PB	3-pc. Brass Trim Kit, MPE-33R
H1932	TK3-33BS	3-pc. Stainless Trim Kit, MPE-33R

Front Face Kits

These decorative, screened front face panels are available in two attractive styles and are easy to install.

Facade Styles



Cat. No.	Model	Description
H3604	FFEP-33M	33" Decorative Complete Front Face, Mission Style
H3605	FFEP-33IA	33" Decorative Complete Front Face, Interlocking Arch

PRODUCT REFERENCE INFORMATION

Please contact your Lennox dealer for any questions or concerns. For the number of your nearest Lennox dealer, please call 1-800-9-LENNOX.

LENNOX HEARTH PRODUCTS
 1110 West Taft Avenue
 Orange, CA 92865
 visit us at www.Lennox.com