

# PARTS MANUAL



*Mikasa* **SERIES**  
**MODEL MT-86D**  
**TAMPING RAMMER**  
**(YANMAR L40A-DRM ENGINE)**

Revision #8 (10/26/20)

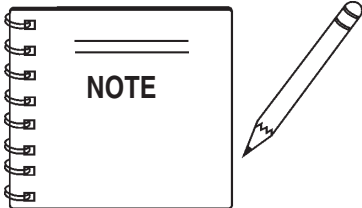
THIS MANUAL MUST ACCOMPANY THE EQUIPMENT AT ALL TIMES.

**MIKASA MT-86D —  
Tamping Rammer**

Table Of Contents ..... 2  
Explanation Of Codes In Remarks Column ..... 4  
Suggested Spare Parts ..... 5  
Name Plate And Decals ..... 6-7  
Crankcase and Engine Assembly ..... 8-11  
Guide Cylinder and Foot Assembly ..... 12-13  
Tank and Handle Assembly ..... 14-15

**YANMAR L40A-DRM  
ENGINE**

Cylinder Block Assembly ..... 16-17  
Cylinder Head and Bonnet Assembly ..... 18-19  
Crankshaft,Piston and Camshaft Assembly ..... 20-21  
Lub.,Oil Pump and Governor Assembly ..... 22-23  
Cooling and Starting Assembly ..... 24-25  
Fuel Injection Pump Assembly ..... 26-27  
Air Cleaner and Muffler Assembly ..... 28-29  
Label and Gasket Set Assembly ..... 30-31  
Loose Parts Assembly ..... 32-33



*Specification and part  
number are subject to  
change without notice.*

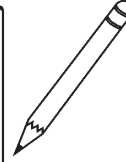
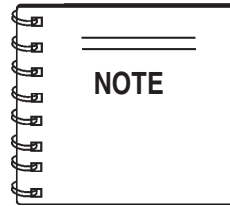
# MT-86D — EXPLANATION OF CODE IN REMARKS COLUMN

How to read the marks and remarks used in this parts book.

## Items Found In the “Remarks” Column

Serial Numbers-Where indicated, this indicates a serial number range (inclusive) where a particular part is used.

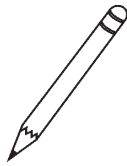
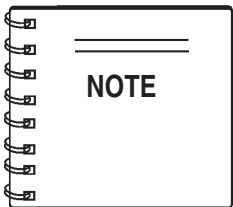
Model Number-Where indicated, this shows that the corresponding part is utilized only with this specific model number or model number variant.



*The contents of this catalog are subject to change without notice.*

## Items Found In the “Items Number” Column

All parts with same symbol in the number column, \*, #, +, %, or >, belong to the same assembly or kit.

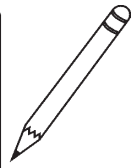
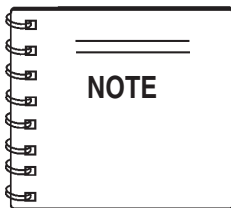


If more than one of the same reference number is listed, the last one listed indicates newest (or latest) part available.

## MT-86D DIESEL RAMMER

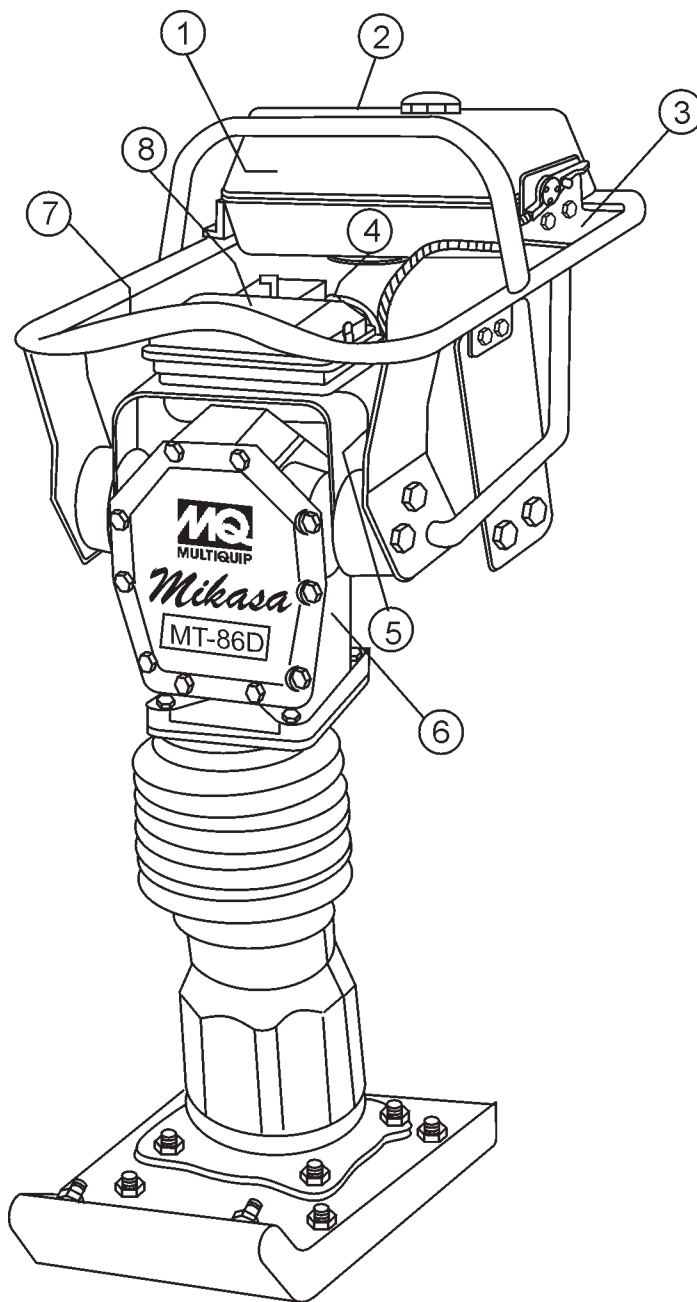
### 1-3 UNITS

- 1 .... 956200040 ..... THROTTLE LEVER ASSY
- 1 .... 956108040 ..... THROTTLE WIRE
- 3 .... 371010060 ..... ELEMENT ASSY
- 2 .... 954405080 ..... STRAINER, FUEL TANK
- 3 .... 18325455120 ..... STRAINER ASSY, FUEL
- 1 .... 0430430015 ..... CAP, FUEL TANK
- 1 .... 16071001760 ..... CAP, W/LUB OIL GA.
- 2 .... 11425035070 ..... STRAINER, OIL LUB.
- 2 .... 16026076630 ..... ROPE, RECOIL STARTER



Part numbers on this Suggested Spare Parts List may super cede/replace the P/N shown in the text pages of this book.

## NAME PLATE AND DECALS



# MT-86D— NAMEPLATE/DECAL LOCATION

## NAME PLATE AND DECALS

<u>NO.</u>	<u>PART NO.</u>	<u>PART NAME</u>	<u>QTY.</u>	<u>REMARKS</u>
1*	920101580	DECAL: MIKASA MARK	1	
2*	920205840	DECAL: FUEL DIESEL	1	NPA-584
3*	920203330	DECAL: EAR PROTECTION	1	NAA-333
4*	920205820	DECAL ENGINE R.P.M 3100-3300	1	
5*	920203290	DECAL: READ OWNER'S MANUAL	1	NPA-329
6		PLATE: SERIAL NO. MT-86D	1	ORDER FROM MQ SER. DEPT. W/MODEL & S/N
7*	920201950	DECAL: MOTOR OIL	1	
8*	920205830	DECAL, AIR CLEANER	1	NPA-583
9	DCL86D/76D	DECAL KIT, MT-86D/MT-76D .....	1 .....	INCLUDES ITEMS W/*

FOR DECAL ILLUSTRATIONS SEE PAGE 8.



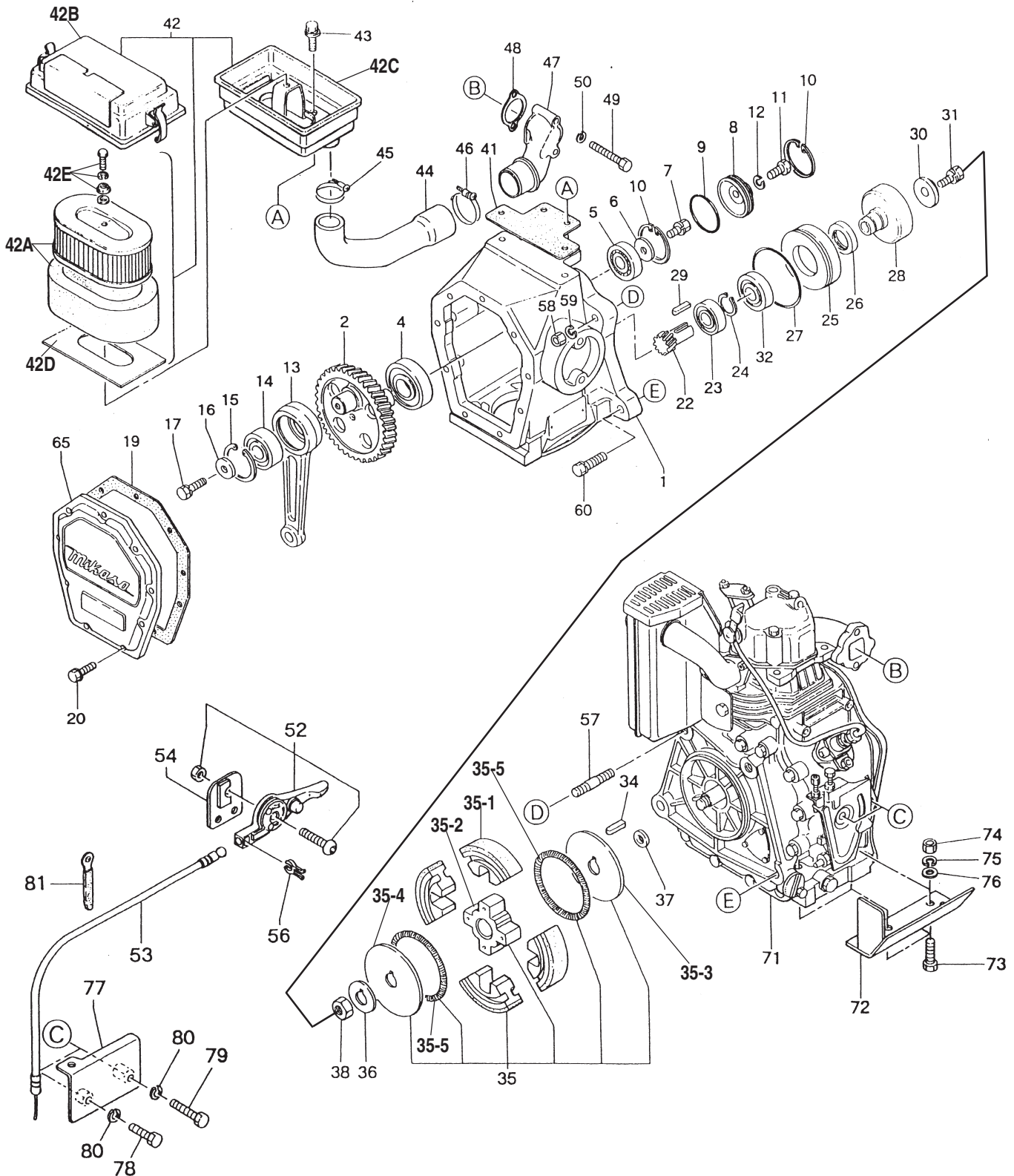
# MT-86D — CRANKCASE AND ENGINE ASSY.

## CRANKCASE AND ENGINE ASSY.

<u>NO.</u>	<u>PART NO.</u>	<u>PART NAME</u>	<u>QTY.</u>	<u>REMARKS</u>
1	372113340	CRANKCASE	1	
2	372335090	CRANK GEAR	1	
4	040006307	BEARING 6307	1	
5	040006205	BEARING 6205	1	
6	952400690	WASHER 9 X 35 X 4.5	1	
7	002219825	BOLT 8X25H, SW .....	1	REPLACES 002210825
8	372447660	BEARING COVER	1	
9	050300500	O-RING S-50	1	
10	080100600	STOP RING R-60	2	
11	001210610	BOLT 6X10H	1	
12	031106100	WASHER M6	1	
13	301300530	CONNECTING ROD	1	
14	040006305	BEARING 6305	1	
15	080100520	STOP RING R-62	1	
16	952400690	WASHER 9304	1	
17	002210825	BOLT 8X25H, SW .....	1	REPLACES 002210825
19	372447670	PACKING, FRONT COVER	1	
20	002210620	BOLT 6X20H, SW .....	9	REPLACES 002210620
22	372447680	PINION	1	
23	040006205	BEARING 6205	1	
24	080200350	STOP RING S-35	1	
25	371449600	SPACER .....	1	REPLACES 371335280
26	060404010	OIL SEAL TC-40528	1	
27	050101000	O-RING G-100	1	
28	371447640	CLUTCH DRUM	1	
29	952405610	KEY 5X5X19R	1	
30	952405490	LOCK WASHER	1	
31	002210820	BOLT 8X20H, SW	1	
32	041006007	BEARING 6007Z	1	
34	22512040120	KEY 4X12	1	
35	371447630	CLUTCH ASSY. ....	1	INCLS. ALL ITEMS W/*
35-1*	943020060	CLUTCH SHOE (4)	1	
35-2*	943950120	CLUTCH BOSS	1	
35-3*	943060070	CLUTCH GUIDE (A)	1	
35-4*	943060080	CLUTCH GUIDE (B)	1	
35-5*	943030060	CLUTCH SPRING .....	2	REPLACES 943030090
36	301010210	LOCK WASHER, CLUTCH	1	

# MT-86D — CRANKCASE AND ENGINE ASSY.

## CRANKCASE AND ENGINE ASSY.



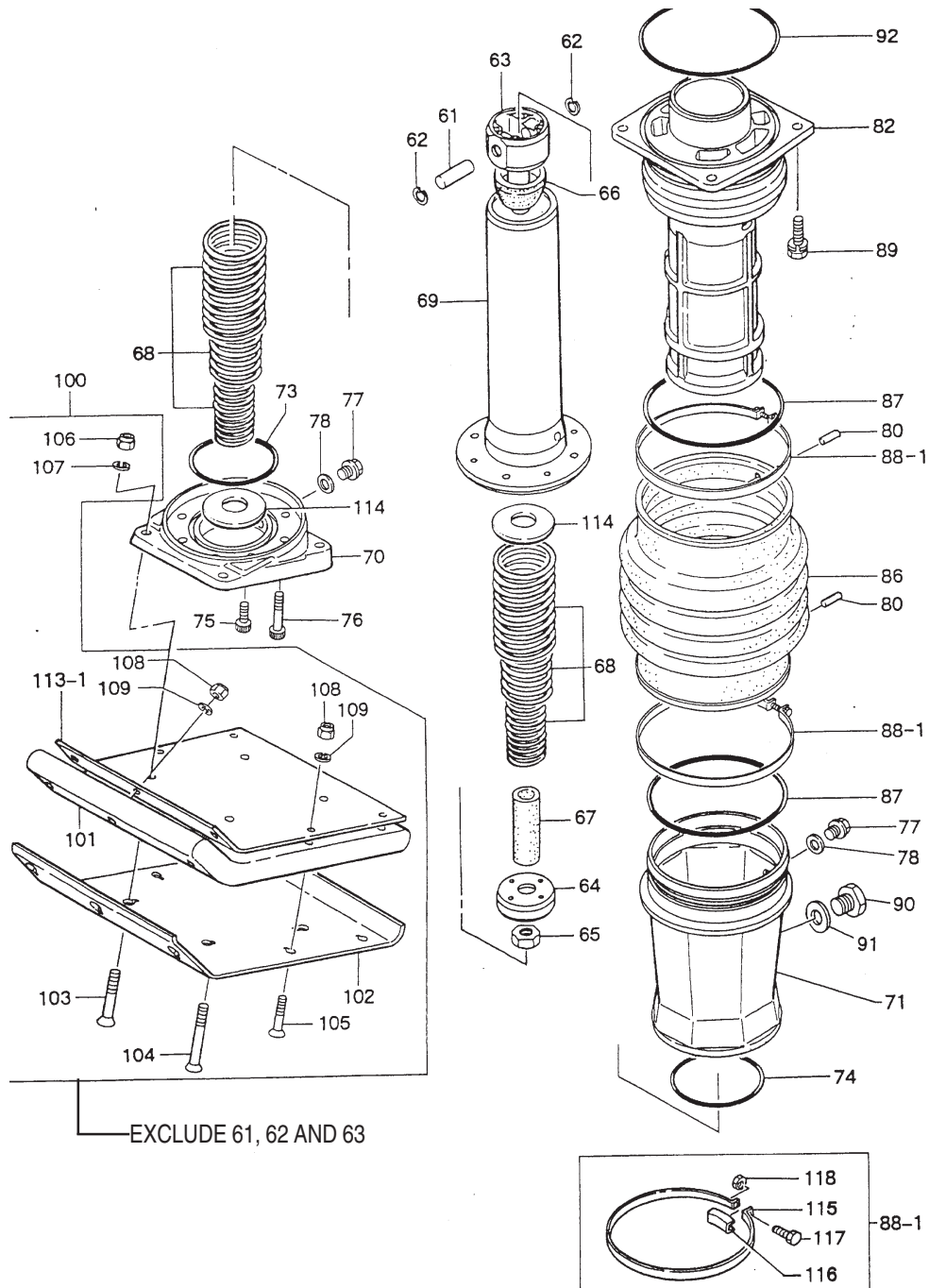
# MT-86D — CRANKCASE AND ENGINE ASSY.

## CRANKCASE AND ENGINE ASSY.

<u>NO.</u>	<u>PART NO.</u>	<u>PART NAME</u>	<u>QTY.</u>	<u>REMARKS</u>
37	371448260	SPACER 15X24X4	1	
38	022910170	NUT M12	1	
41	371448220	PACKING, AIR CLEANER	1	
42	371213392	AIR CLEANER ASSY .....	1	INCLUDES ITEMS W/# REPLACES 371213390
42A#	371010060	ELEMENT ASSY	1	
42B#	371010030	BODY ASSY	1	
42C#	371010040	BACK PLATE	1	
42D#	371010050	SEAT, AIR CLEANER	1	
42E#	371010070	BOLT ASSY.	1	
43	002210820	BOLT 8X20H, SW	4	
44	371335110	INTAKE PIPE	1	
45	371000010	HOSE BAND (B)	1	
46	371000020	HOSE BAND (B)	1	
47	371335270	INTAKE FLANGE	1	
48	11428412200	GASKET, AIR INTAKE	1	
49	001200652	BOLT 6X60	2	
50	030206150	WASHER SW M6	2	
52	956200040	THROTTLE LEVER ASSY	1	
53	956108040	THROTTLE WIRE	1	
54	371448000	LEVER STAY	1	
56	371448300	CLIP (M)	1	
57	26226100402	STUD M10X20 PLATED	2	
58	020310080	NUT M10	2	
59	030210250	WASHER SW M10	2	
60	002211050	BOLT 10X50H, SW	2	
65	372213560	FRONT COVER MQ	1	
71	914410003	ENGINE ASSY L48EE-DRM	1	
72	371335100	UNDER PROTECTOR	1	
73	001211040	BOLT 10X40 H	2	
74	020310080	NUT M10	2	
75	030210250	WASHER SW M10	2	
76	031110160	WASHER PW M10	1	
77	371448020	LINK PROTECTOR	1	
78	001200630	BOLT 6X30	1	
79	001200635	BOLT 6X35	1	
80	030206150	WASHER SW M6	2	
81	16026078700	CLAMP WIRE	2	

# MT-86D — CYLINDER GUIDE AND FOOT ASSY.

## CYLINDER GUIDE AND FOOT ASSY.



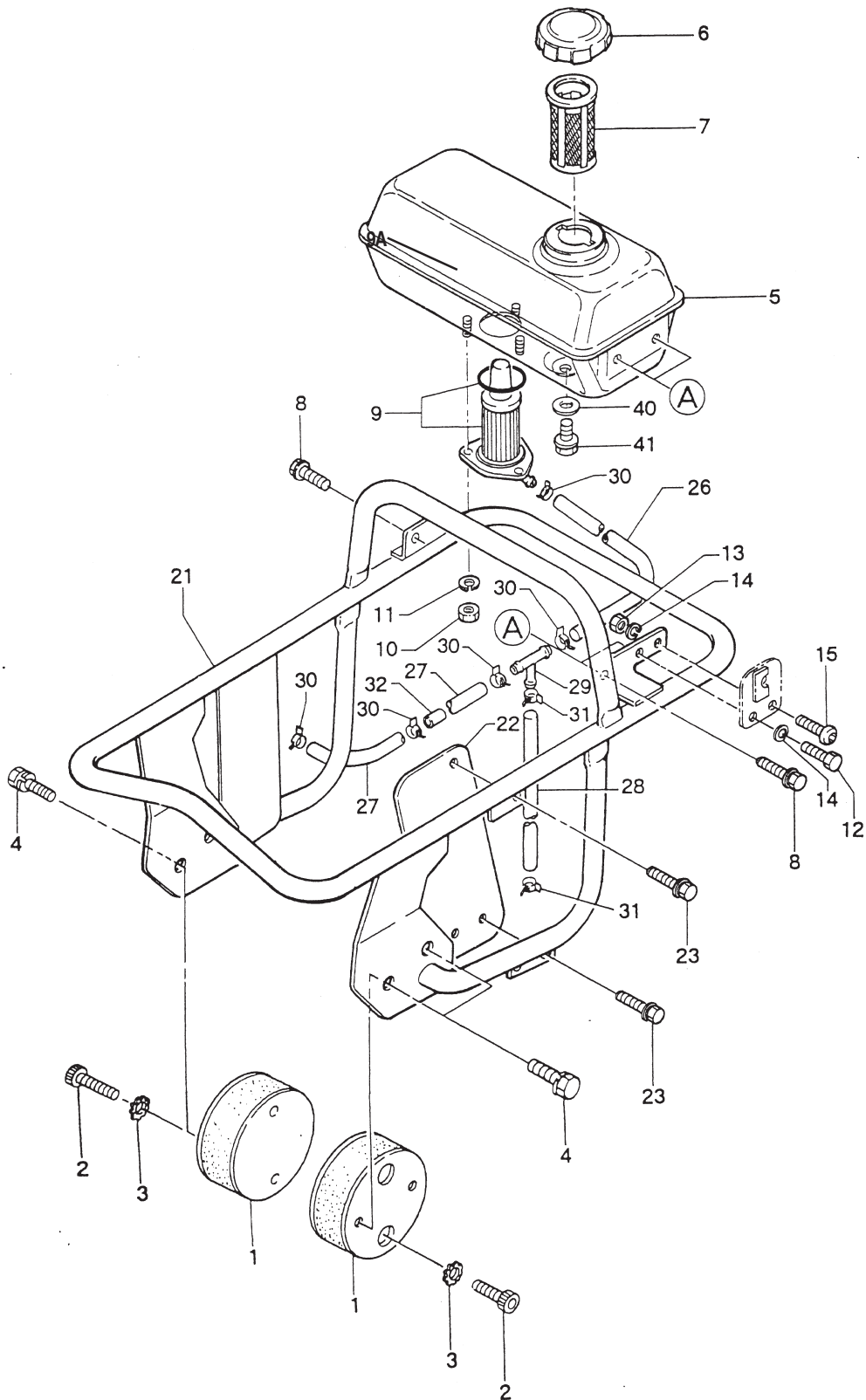
# MT-86D — CYLINDER GUIDE AND FOOT ASSY.

## CYLINDER GUIDE AND FOOT ASSY.

NO.	PART NO.	PART NAME	QTY.	REMARKS
61	652423290	PISTON PIN .....	1	REPLACES 352423290
62	080100150	STOP RING R-15	2	
63	352210380	PISTON ROD	1	
64	372427700	PISTON END	1	
65	020118150	NUT M18, P1.5	1	
66	352431430	STOPPER,UPPER	1	
67	352437470	STOPPER,LOWER	1	
68	372335260	MAIN SPRING	2	
69	372213180	SPRING CYLINDER	1	
70	372213570	FOOT PLATE	1	
71	352110042	PROTECTION SLEEVE .....	1	REPLACES 352110040
73	050100950	O-RING G-95	1	
74	050101100	O-RING G-110	1	
75	014210020	SOCKET HEAD BOLT 10X20 T .....	4	REPLACES 001521020
76	014210035	SOCKET HEAD BOLT 10X35 T .....	4	REPLACES 001521035
77	953405270	PLUG 1/4X14 13L	2	
78	953405260	PACKING 1/4(CU)	2	
80	354446170	PIN 6D-8.5L	2	
82	354212490	GUIDE CYLINDER(L)	1	
86	354010010	BELLOWS,ORANGE	1	REPLACES 354332780
87	050931500	O-RING JAS03150	2	
88-1	354910020	BELLOWS CLAMP CP .....	2	INCLS. ALL ITEMS W/*
89	012710035	BOLT 10X35 H,SW .....	4	REPLACES 002211035
90	959010150	LEVEL GAUGE,PLUG TYPE	1	
91	953404670	COPPER PACKING 17X25.5X1	1	
92	050201500	O-RING P-150	1	
100	352910081	FOOT ASSY 330W-W/F.COVER .....	1	INCLS. ALL ITEMS W/#
101#	352326620	FOOT 330B-331L	1	
102#	352326630	METAL SHEET 330B	1	
103	015112075	SUNK HEAD BOLT 12X80 H .....	4	REPLACES 001611256
104#	001611259	SUNK HEAD BOLT 12X100 H .....	2	REPLACES 001611260
105#	015110055	SUNK HEAD BOLT 10X55 H .....	7	REPLACES 001611051
106	021112140	NYLON NUT M12 .....	4	REPLACES 022711214
107	030212300	WASHER SW M12	4	
108#	021110120	NYLON NUT M10 .....	7	REPLACES 022711012
109#	030210250	WASHER SW M10	7	
113-1#	354332070	FOOT COVER	1	
114	352441730	SPRING SEAT 80D-1.6T	1	
115*	354336352	BELLOWS CLAMP MT68, 70V .....	2	REPLACES 354329380
115*	354336352	BELLOWS CLAMP (1.6T) 171D	2	
116	354442340	BAND GUIDE,BELLOWS	2	
117*	011008040	BOLT 8X40H .....	2	REPLACES 001210840
118*	020108060	NUT M8 .....	2	REPLACES 020308060

# MT-86D — TANK AND HANDLE ASSY.

TANK AND HANDLE ASSY.



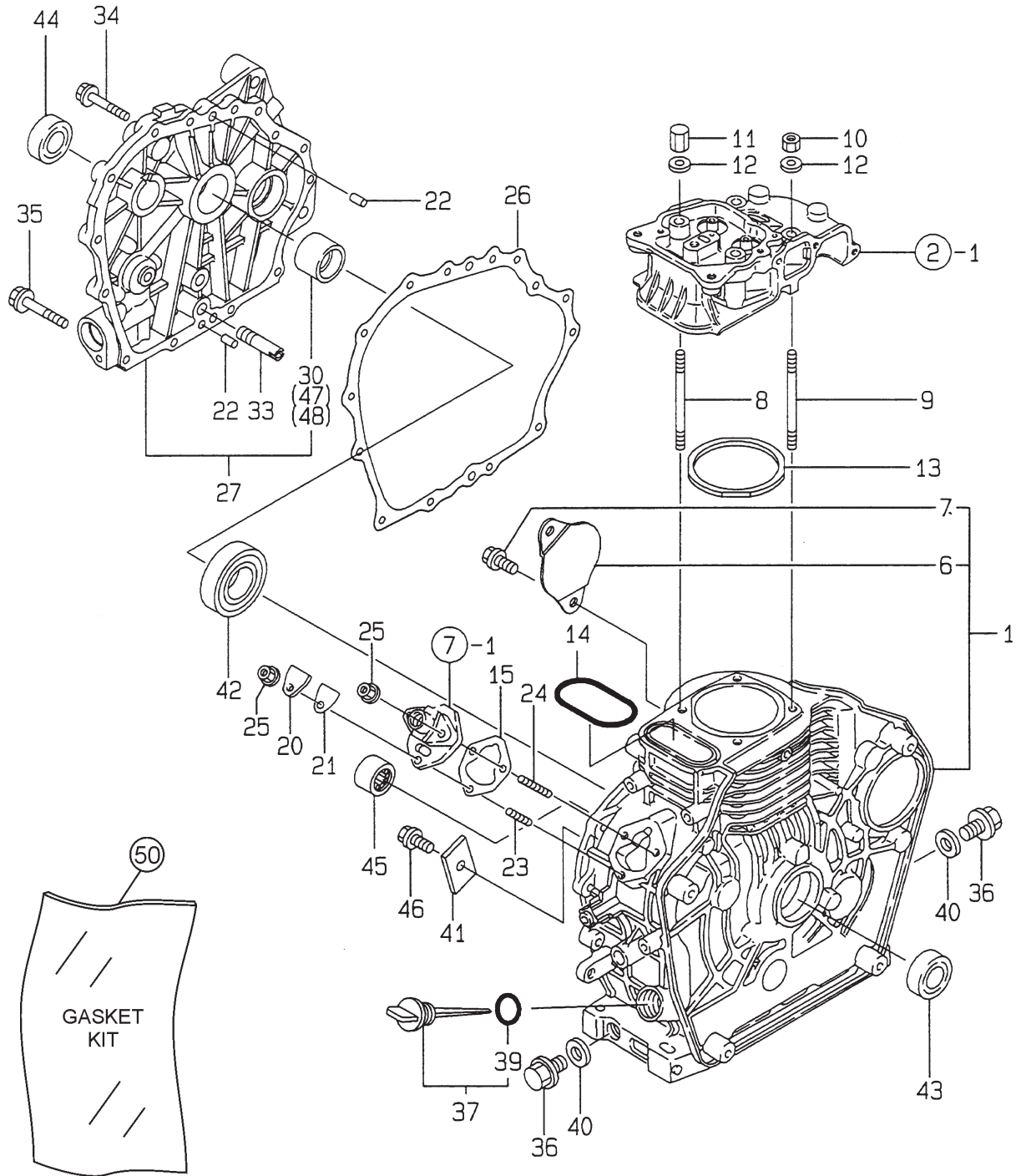
# MT-86D — TANK AND HANDLE ASSY.

## TANK AND HANDLE ASSY.

<u>NO.</u>	<u>PART NO.</u>	<u>PART NAME</u>	<u>QTY.</u>	<u>REMARKS</u>
1	351319900	SHOCK ABSORBER	2	
2	014210020	SOCKET HEAD BOLT 10X20T .....	4	REPLACES 001521020
3	033121009	TOOTHED LOCK WASHER B M10	4	
4	012210020	BOLT 10X20H, SW .....	4	REPLACES 002211020
5	371113650	FUEL TANK	1	
6	0430430015	FUEL TANK CAP .....	1	REPLACES 953404650
7	954405080	STRAINER (#100)	1	
8	011808015	BOLT 8X15H, SW, PW .....	3	REPLACES 002410815
9	18325455120	STRAINER ASSY, FUEL .....	1	INCLUDES ITEM W/*
9A*	24341000450	O-RING	1	
10	020106050	NUT M6 .....	3	REPLACES 020306050
11	030206150	WASHER SW M6	3	
12	001210815	BOLT 8X15H	1	
13	020108060	NUT M8 .....	1	REPLACES 020308060
14	030208200	WASHER SW M8	2	
15	009110011	SOCKET HEAD SCREW 8X20	1	
21	371113560	HANDLE	1	
22	371448010	SIDE PROTECTOR	1	
23	011808015	BOLT 8X15H, SW, PW .....	3	REPLACES 002410815
26	18366659330	PIPE, FUEL DRAIN	1	
27	18325059050	PIPE, FUEL OIL	1	
28	11435459070	PIPE, FUEL RETURN	1	
29	11428459710	JOINT	1	
30	10699044660	CLAMP	5	
31	12472259050	CLAMP	2	
32	18325059040	PIECE	1	
40	953405810	PACKING PF 1/8	1	
41	953405800	FLANGE PLUG PF 1/8	1	

# YANMAR L40A-DRM ENGINE — CYLINDER BLOCK ASSY.

## CYLINDER BLOCK ASSY.



② = SEE PG. 32 AND 33 FOR P/N

⑦ = SEE PG. 40 AND 41 FOR P/N

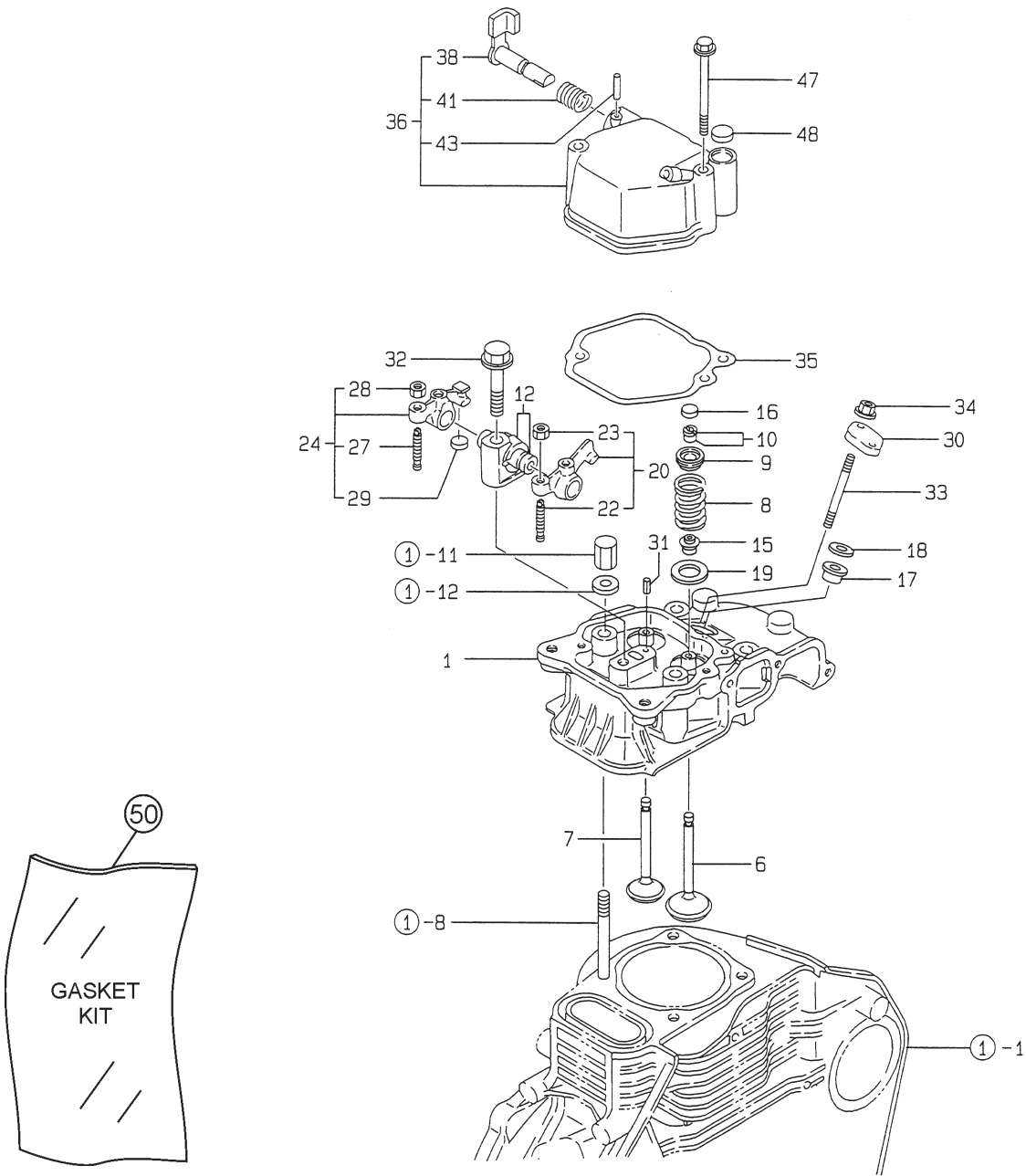
# YANMAR L40A-DRM ENGINE — CYLINDER BLOCK ASSY.

## CYLINDER BLOCK ASSY.

<u>NO.</u>	<u>PART NO.</u>	<u>PART NAME</u>	<u>QTY.</u>	<u>REMARKS</u>
1	71427001560	BLOCK ASSY., CYLINDER .....	1	INCLUDES ITEMS W/*
6*	11435001700	COVER, STARTER	1	
7*	26106100122	BOLT M10X 12	2	
8	11425001200	STUD, CYL. HEAD	2	
9	11425001210	STUD, CYL. HEAD	2	
10	11425001220	NUT 8	2	
11	11425001250	NUT 8	2	
12	12495001250	WASHER	4	
13#	11425001340	GASKET, CYL. HEAD .....	1	REPLACES 71425001340
14#	11425001380	O-RING	1	
15	11425001800	SHIM SET	1	
20	11425001830	COVER, INSPEC. WINDOW	1	
21#	11425001841	GASKET	1	
22+	11427001600	PARALLEL PIN 8X12	2	
23	26226060182	STUD M 6X18 PLATED	1	
24	26226060222	STUD M 6X22 PLATED	2	
25	26366030002	NUT M6	3	
26#	11425001412	GASKET, CRANKCASE	1	
27	11428401451	COVER ASSY., CASE .....	1	INCLUDES ITEMS W/+
30+	11425002100	BEARING, MAIN	1	
33+	11425035150	PIPE, L.O. INLET	1	
34	26106060252	BOLT M6X25 PLATED	14	
35	26106080352	BOLT M8X35 PLATED	1	
36	10542501690	PLUG M16	2	
37	16071001760	CAP, W/LUB. OIL GAUGE .....	1	INCLUDES ITEM W/%
39#%	24311000180	O-RING 1A P-18.0	1	
40#	22190160002	SEAL WASHER 16S	2	
41	11425002030	RETAINER, BEARING	1	
42	11425002113	BALL BEARING	1	
43	24421304508	SEAL, OIL .....	1	REPLACES 16011002220
44	16021002220	SEAL, OIL	1	
45	24162152112	NEEDLE BEARING	1	
46	26106080122	BOLT M8X12 PLATED	1	
47	11425002200	MAIN BEARING US=0.25 O/S	1	
48	11425002210	MAIN BEARING US=0.50 O/S	1	
50	71425092602	GASKET KIT .....	1	INCLUDES ITEMS W/#. SEE GASKET KIT PAGES 44-45

# YANMAR L40A-DRM ENGINE — CYLINDER HEAD AND COVER ASSY.

## CYLINDER HEAD AND COVER ASSY.



① = SEE PG. 30 AND 31 FOR P/N

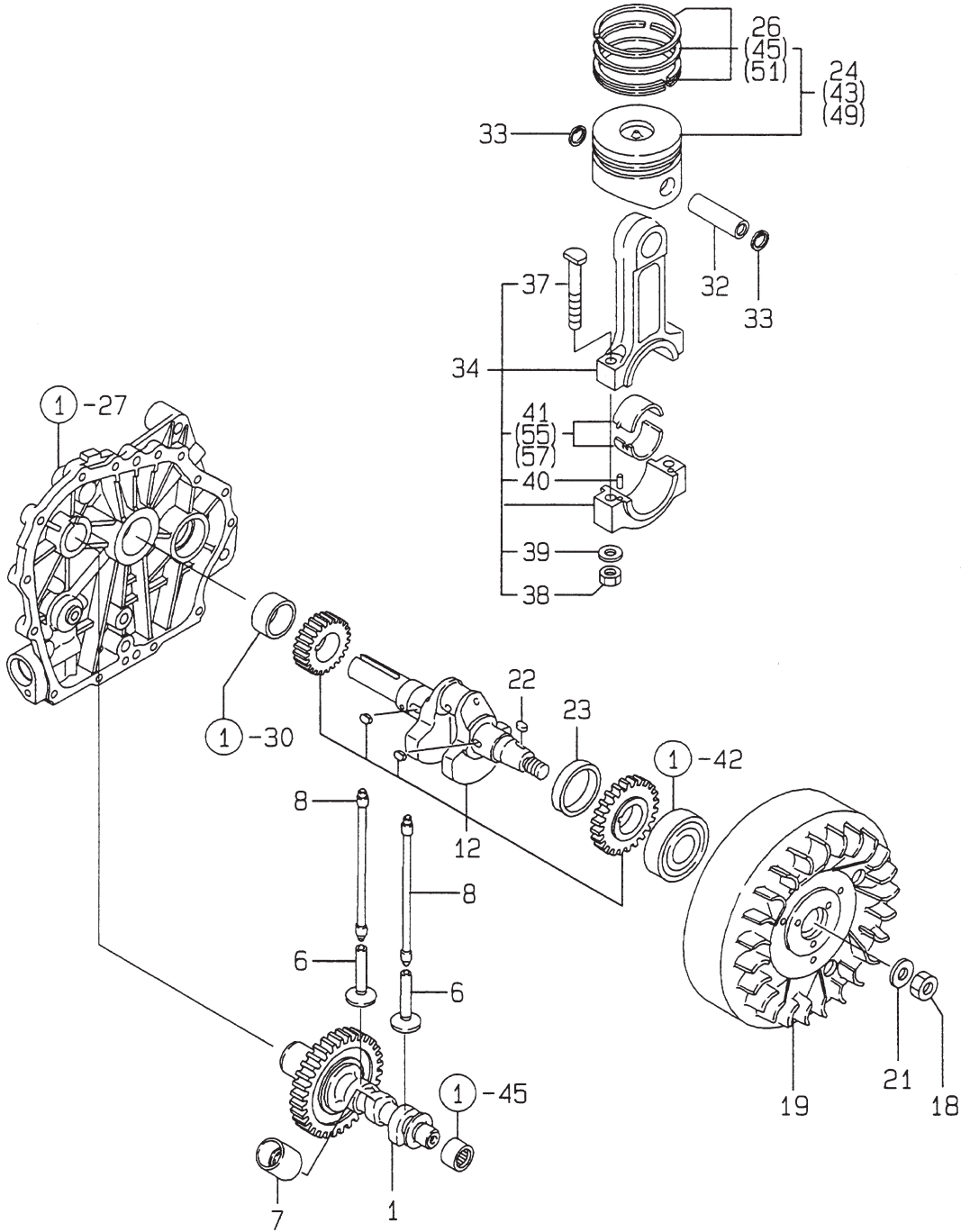
# YANMAR L40A-DRM ENGINE — CYLINDER HEAD AND COVER ASSY.

## CYLINDER HEAD AND COVER ASSY.

<u>NO.</u>	<u>PART NO.</u>	<u>PART NAME</u>	<u>QTY.</u>	<u>REMARKS</u>
1	11477011020	HEAD ASSY, CYLINDER	1	
6	11425011101	VALVE, SUCTION	1	
7	11425011113	VALVE, EXHAUST	1	
8	11425011120	SPRING, VALVE	2	
9	11425011180	RETAINER, SPRING	2	
10	71425011570	COTTER ASSY	2	
12	11425011290	SUPPORT, ROCKER ARM	1	
15#	11425011340	SEAL, VALVE STEM	2	
16	11926011370	CAP, VALVE	1	
17#	11425011460	GASKET, NOZZLE	1	
18	11435011470	SPACER, NOZZLE	1	
19	11425011600	WASHER	2	
20	11425011651	ARM ASSY, INTAKE .....	1	.... INCLUDES ITEMS W/*
22*	11425011240	SCREW, VALVE ADJUST.	1	
23*	26756060002	LOCK NUT M6 PLATED	1	
24	71427011660	ARM ASSY, EXHAUST .....	1	.... INCLUDES ITEMS W/+
27+	11425011240	SCREW, VALVE ADJUST.	1	
28+	26756060002	LOCK NUT M6 PLATED	1	
29+	11926011370	CAP, VALVE	1	
30	11425011900	RETAINER, NOZZLE	1	
31	22351040008	SPRING PIN 4X8	1	
32	26106080452	BOLT M8X45 PLATED	1	
33	26226060502	STUD M6X50	2	
34	26366060002	NUT M6	2	
35#	11425011311	GASKET, BONNET	1	
36	11428811960	BONNET ASSY .....	1	.... INCLUDES ITEMS W/%
38%	11428803580	SHAFT ASSY, DECOMP.	1	
41%	11428803640	SPRING	1	
43%	22312030160	PARALLEL PIN 3X16	1	
47	26106060552	BOLT M6X55 PLATED	2	
48	12910061850	PLUG 12, BORE	1	
50	71425092602	GASKET KIT .....	1	.... INCLUDES ITEMS W/#. SEE GASKET KIT PAGES 44-45

# YANMAR L40A-DRM ENG. — CRANKSHAFT, PIS. & CAMSHAFT ASSY.

CRANKSHAFT, PISTON AND CAMSHAFT ASSY.



① = SEE PG. 30 AND 31 FOR P/N

# YANMAR L40A-DRM ENG. — CRANKSHAFT, PIS. & CAMSHAFT ASSY.

## CRANKSHAFT, PISTON AND CAMSHAFT ASSY.

<u>NO.</u>	<u>PART NO.</u>	<u>PART NAME</u>	<u>QTY.</u>	<u>REMARKS</u>
1	71478014580	CAMSHAFT (D) ASSY	1	
6	11425014200	TAPPET	2	
7	11425014260	TAPPET, FUEL	1	
8	11425014450	ROD, PUSH	2	
12	71428421710	CRANKSHAFT ASSY	1	
18	10385401221	NUT M16	1	
19	11428821401	FLYWHEEL	1	
21	11425021550	WASHER, FLYWHEEL	1	
22	22512040120	KEY 4X12	1	
23	18325021350	SPACER	1	
24	71428022720	PISTON W/RINGS .....	1	INCLUDES ITEM W/*
26*	71425022502	RING SET, PISTON	1	
32	11425022302	PIN, PISTON D=19	1	
33	22252000190	CIRCLIP 19	2	
34	71425023703	ROD ASSY, CONNECTING .....	1	INCLUDES ITEMS W/#
37#	11425023200	BOLT, ROD	2	
38#	11425023220	NUT, ROD BOLT	2	
39#	11425023250	WASHER	2	
40#	22312030080	PARREL PIN 3X8	2	
41#	71425023600	BEARING, CRANKPIN	1	
43	71428022620	PISTON W/RING OS=.25 .....	1	INCLUDES ITEM W/+
45+	71425022542	RING SET O.S=0.25	1	
49	71428022580	PISTON W/RING OS=0.50 .....	1	INCLUDES ITEM W/%
51%	71425022550	RING SET O.S=0.50	1	
55	71425023610	BEARING, PIN (U.S=0.25)	1	
57	71425023620	BEARING, PIN (U.S=0.50)	1	



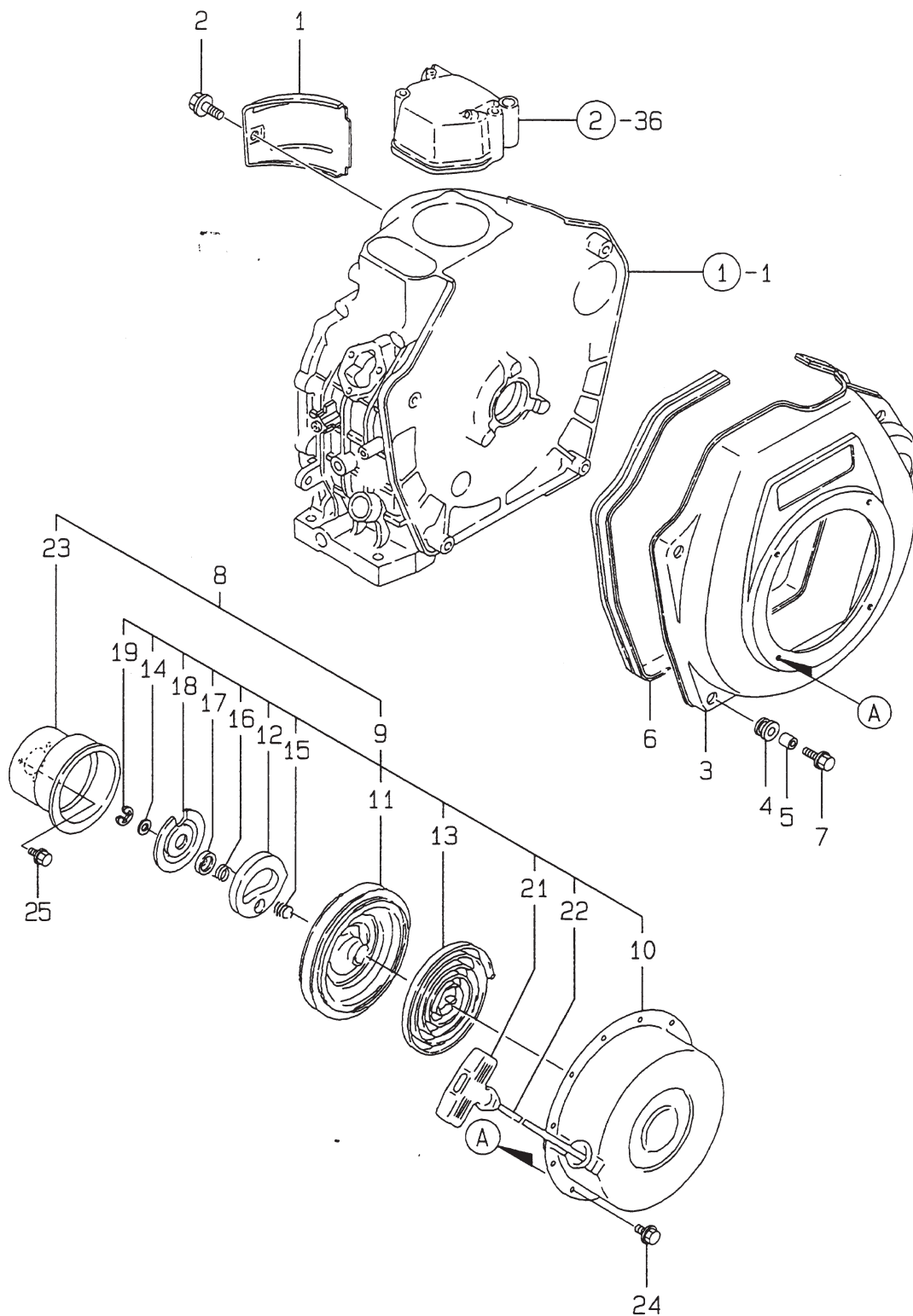
# YANMAR L40A-DRM ENGINE —LUB. OIL PUMP AND GOVERNOR ASSY.

## LUB. OIL PUMP AND GOVERNOR ASSY.

<u>NO.</u>	<u>PART NO.</u>	<u>PART NAME</u>	<u>QTY.</u>	<u>REMARKS</u>
1	11425032010	PUMP ASSY, LUB. OIL	1	
6	11425032070	COVER, LUB. OIL PUMP	1	
7#	10333832570	O-RING	1	
8	22312030160	PARREL PIN 3X16	1	
9	26476060142	BOLT M6X14, TAPPING	3	
10	11425035070	STRAINER, LUB. OIL	1	
11#	24341000224	O-RING 1A S-22.4	1	
12	26106060162	BOLT M6X16 PLATED	1	
13	71425061500	LEVER ASSY, GOVERNOR.....	1	.....INCLUDES ITEMS W/*
18*	22322030200	TAPER PIN 3X20	1	
19*	22322030200	TAPER PIN 3X20	1	
20	71477061700	GOVERNOR ASSY	1	
25	11427061520	NEEDLE BEARING FJ810	2	
26	11477061600	SEAL, OIL	1	
27	11477061610	WASHER, THRUST	1	
28	11425066050	HANDLE, REGULATOR	1	
30	11425266252	SPRING, RETURN	1	
31	11426866500	BRACKET ASSY, REGULATOR.....	1	.....INCLUDES ITEMS W/+
33+	11425066440	BOLT, ADJUSTING	1	
34+	10210067080	BOLT ,ADJUSTING	1	
35	26106060202	BOLT M6X20 PLATED	1	
36	26117040088	BOLT 4* 8	1	
37	11477061190	WASHER	1	
38	26476060142	BOLT M6X14, TAPPING	1	
39+	26757060002	NUT 6	2	
40	11477066010	SPRING, REGULATOR	1	
41	11425066200	SPRING, RETURN	1	
42	11425066550	TORQUE SPRING ASSY	1	
47	26696100002	NUT M10	1	
50	71425092602	GASKET KIT .....	1	.... INCLUDES ITEMS W/#. SEE GASKET KIT PAGES 44-45

# YANMAR L40A-DRM ENGINE —COOLING AND STARTING ASSY.

COOLING AND STARTING ASSY.



① = SEE PG. 30 AND 31 FOR P/N

② = SEE PG. 32 AND 33 FOR P/N

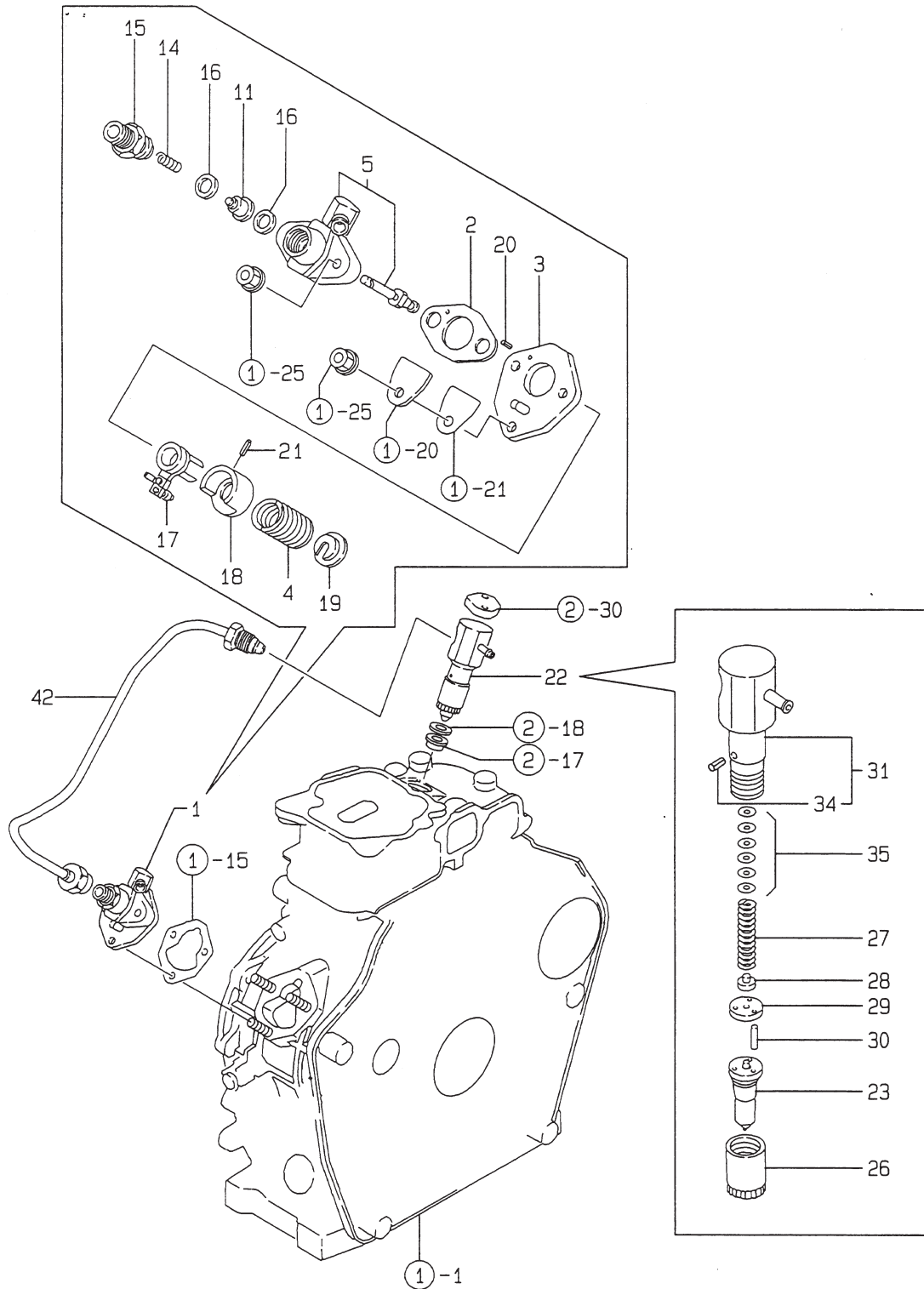
# YANMAR L40A-DRM ENGINE —COOLING AND STARTING ASSY.

## COOLING AND STARTING ASSY.

<u>NO.</u>	<u>PART NO.</u>	<u>PART NAME</u>	<u>QTY.</u>	<u>REMARKS</u>
1	11425045211	COVER, CYLINDER	1	
2	26476060142	BOLT M6X14, TAPPING	1	
3	11427445100	CASE, COOLING FAN	1	
4	11425045301	RUBBER, CUSHION	4	
5	11425045310	COLLAR	4	
6	11465045330	SEAL, FAN CASE .....	1	.....REPLACES 11425045330
7	11437045350	BOLT, FAN CASE	4	
8	71426076821	RECOIL STARTER (D) ASSY .....	1	.....INCLUDES ITEMS W/* REPLACES 11426076050
9*		RECOIL STARTER (D) .....	1	.....NOT SERVICED SEPARATELY
10*	11426076520	CASE(D) W/NO LABEL	1	
11*	16026076520	REEL, RECOIL	1	
12*	16026076530	RATCHET	1	
13*	16026076540	SPRING, SPIRAL	1	
14*	16026076550	WASHER, THRUST	1	
15*	16026076560	SPRING, FRICTION	1	
16*	16029076570	SPRING, RETURN	1	
17*	16026076580	COVER, SPRING	1	
18*	16026076590	PLATE, FRICTION	1	
19*	16026076600	CIRCLIP (E)	1	
21*	16026076620	KNOB, STARTER	1	
22*	16026076630	ROPE, STARTER	1	
23*	11425076590	PULLEY, STARTER	1	
24	26106060082	BOLT M6X8 PLATED	4	
25	26106060122	BOLT M6X12 PLATED	3	

# YANMAR L40A-DRM ENGINE —FUEL INJECTION PUMP ASSY.

## FUEL INJECTION PUMP ASSY.



# YANMAR L40A-DRM ENGINE —FUEL INJECTION PUMP ASSY.

## FUEL INJECTION PUMP ASSY.

<u>NO.</u>	<u>PART NO.</u>	<u>PART NAME</u>	<u>QTY.</u>	<u>REMARKS</u>
1	71425051710	PUMP ASSY, F. INJECT .....	1	INCLUDES ITEMS W/* REPLACES 71415051701
2*	10554651020	GASKET	1	
3*	11425051080	PLATE	1	
4*	11425051160	SPRING	1	
5*	11425051200	BODY, F.I. PUMP	1	
11*	11425051300	VALVE ASSY, DELIVERY	1	
14*	10554651330	SPRING, DELIV. VALVE	1	
15*	11425051340	HOLDER, F.I.P. DELIV.	1	
16*	12455051350	GASKET, DELIVERY	2	
17*	11425051600	LEVER ASSY, CONTROL	1	
18*	11425050640	SEAT (A), SPRING	1	
19*	11425051650	SEAT (B), SPRING	1	
20*	22351020006	SPRING PIN 2X6	2	
21*	22351030008	SPRING PIN 3X8	1	
22	71425053101	VALVE ASSY, F. INJECT .....	1	INCLUDES ITEMS W/#
23#	11425053001	NOZZLE ASSY, F. INJECT	1	
26#	11425053080	NUT, NOZZLE CASE	1	
27#	11425053120	SPRING, NOZZLE	1	
28#	11425053130	SEAT, NOZZLE SPRING	1	
29#	11425053140	PLATE, STOP	1	
30#	11425053210	PIN	2	
31#	11425053300	HOLDER ASSY, NOZZLE .....	1	INCLUDES ITEM W/+
34#+	11425053331	PIN, SPRING	1	
35#	11425053400	SHIM PACK	1	
42	11425059800	PIPE, FUEL INJECTION	1	



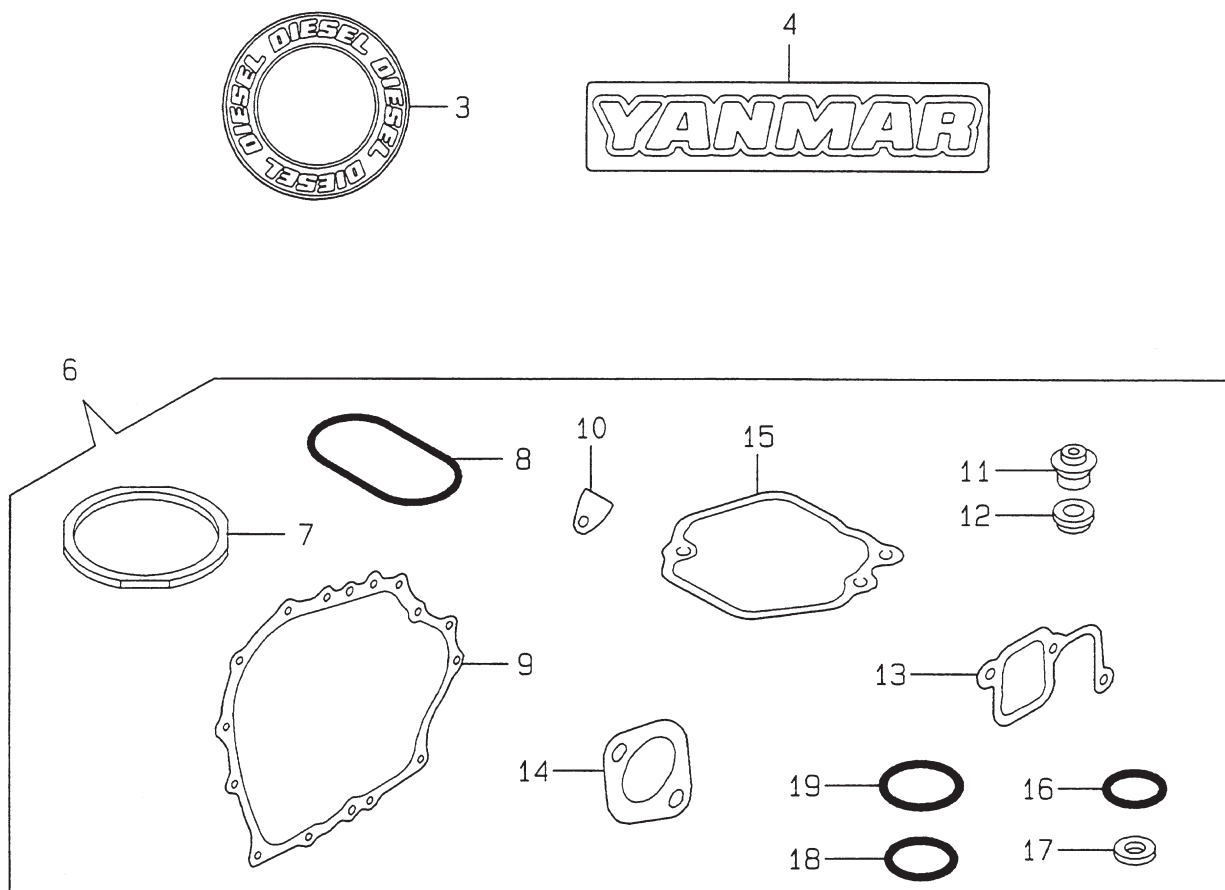
# YANMAR L40A-DRM ENGINE — AIR CLEANER AND MUFFLER ASSY.

## AIR CLEANER AND MUFFLER ASSY.

<u>NO.</u>	<u>PART NO.</u>	<u>PART NAME</u>	<u>QTY.</u>	<u>REMARKS</u>
1	11428412010	PIPE, ARI INTAKE	1	
2#	11425012201	GASKET, AIR INTAKE	1	
3	26106060252	BOLT M6X25 PLATED	1	
4	26226060552	STUD M6X55 PLATED	2	
5#	11425013201	GASKET (NON-ASB.)	1	
6	11428413500	MUFFLER ASSY, DRM	1	
9	26106060122	BOLT M6X12 PLATED	2	
10	26216080182	STUD M8X18 PLATED	2	
11	26366080002	NUT M8	2	
12	26366060002	NUT M6	2	
50	71425092602	GASKET KIT .....	1	.... INCLUDES ITEMS W/#. SEE GASKET KIT PAGES 44-45

# YANMAR L40A-DRM ENGINE — LABEL AND GASKET KIT ASSY.

LABEL AND GASKET SET ASSY.



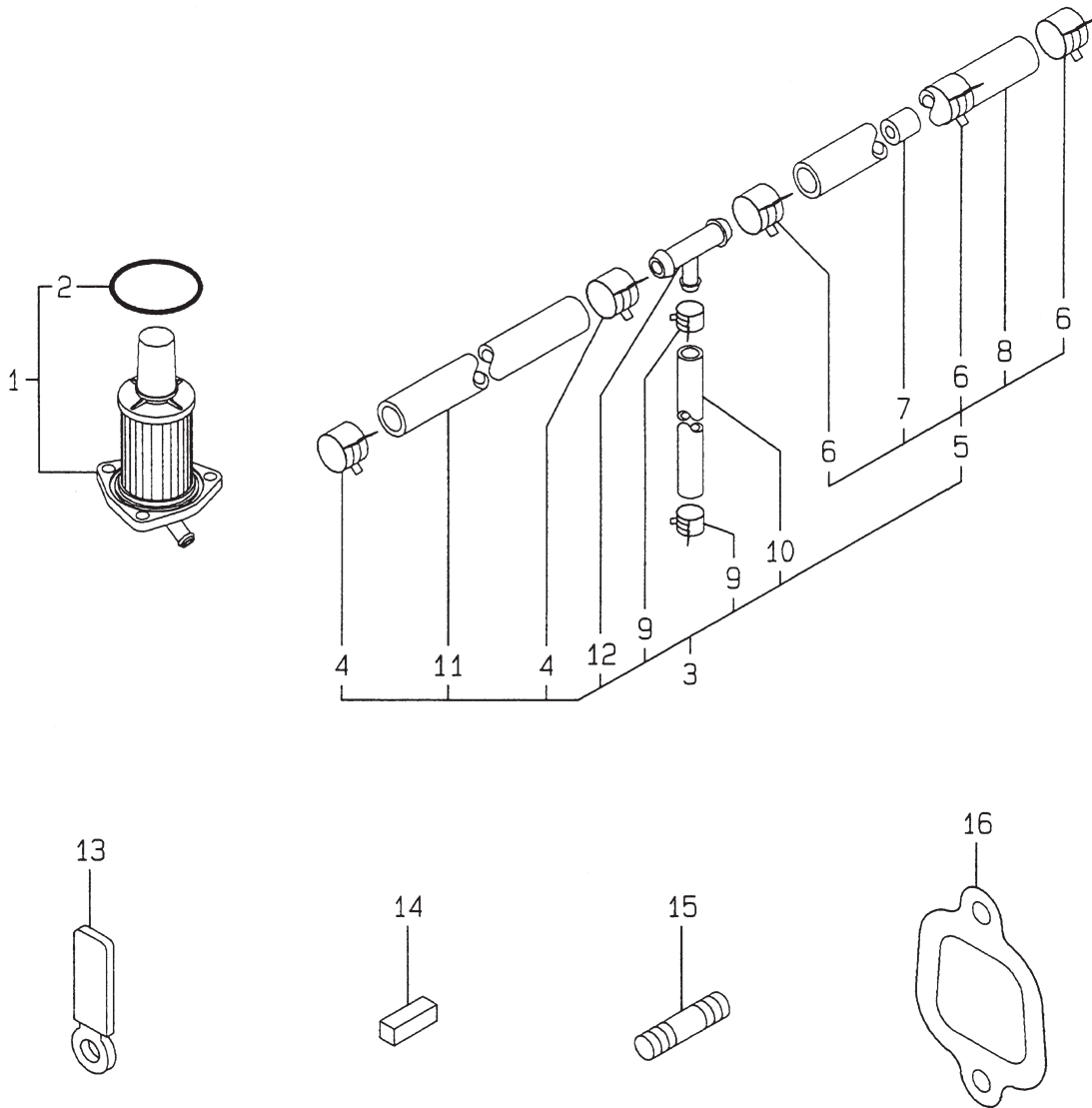
# YANMAR L40A-DRM ENGINE — LABEL AND GASKET SET ASSY.

## LABEL AND GASKET KIT ASSY.

<u>NO.</u>	<u>PART NO.</u>	<u>PART NAME</u>	<u>QTY.</u>	<u>REMARKS</u>
3	11426107350	LABEL	1	
4	11425007111	LABEL, YANMAR	1	
6	71425092602	GASKET KIT .....	1	.....INCLUDES ITEMS W/*
7*	11425001340	GASKET, CYL. HEAD	1	
8*	11425001380	O-RING	1	
9*	11425001412	GASKET, CRANKCASE	1	
10*	11425001841	GASKET	1	
11*	11425011340	SEAL, VALVE STEM	2	
12*	11425011460	GASKET, NOZZLE	1	
13*	11425012201	GASKET, AIR INTAKE	1	
14*	11425013201	GASKET (NON-ASB.)	1	
15*	11425011311	GASKET, BONNET	1	
16*	24311000180	O-RING 1A P-18.0	2	
17*	22190160002	SEAL WASHER 16S	2	
18*	24341000224	O-RING 1A S-22.4	1	
19*	10333832570	O-RING	1	

# YANMAR L40A-DRM ENGINE — LOOSE PARTS ASSY.

LOOSE PARTS ASSY.



# YANMAR L40A-DRM ENGINE — LOOSE PARTS ASSY.

## LOOSE PARTS ASSY.

<u>NO.</u>	<u>PART NO.</u>	<u>PART NAME</u>	<u>QTY.</u>	<u>REMARKS</u>
1	18325455120	STRAINER ASSY, FUEL .....	1	INCLUDES ITEM W/*
2*	24341000450	O-RING 1A S-45.0	1	
3	11428459100	PIPE ASSY, FUEL OIL .....	1	INCLUDES ITEMS W/#
4#	10699044660	BAND, HOSE	2	
5#	18325059010	PIPE ASSY, FUEL OIL .....	1	INCLUDES ITEMS W/+
6#+	10699044660	BAND, HOSE	3	
7#+	18325059040	PIECE	1	
8#+	18325059050	PIPE, FUEL OIL	1	
9#	12472259050	CLAMP 9	2	
10#	11465459070	PIPE, FUEL RETURN	1	
11#	18366659330	PIPE, FUEL DRAIN	1	
12#	11428459710	JOINT	1	
13	16071078710	CLAMP, WIRE	1	
14	22512040120	KEY 4X12	1	
15	26226100402	STUD M10X20 PLATED	2	
16	11428412200	GASKET, AIR INTAKE	1	