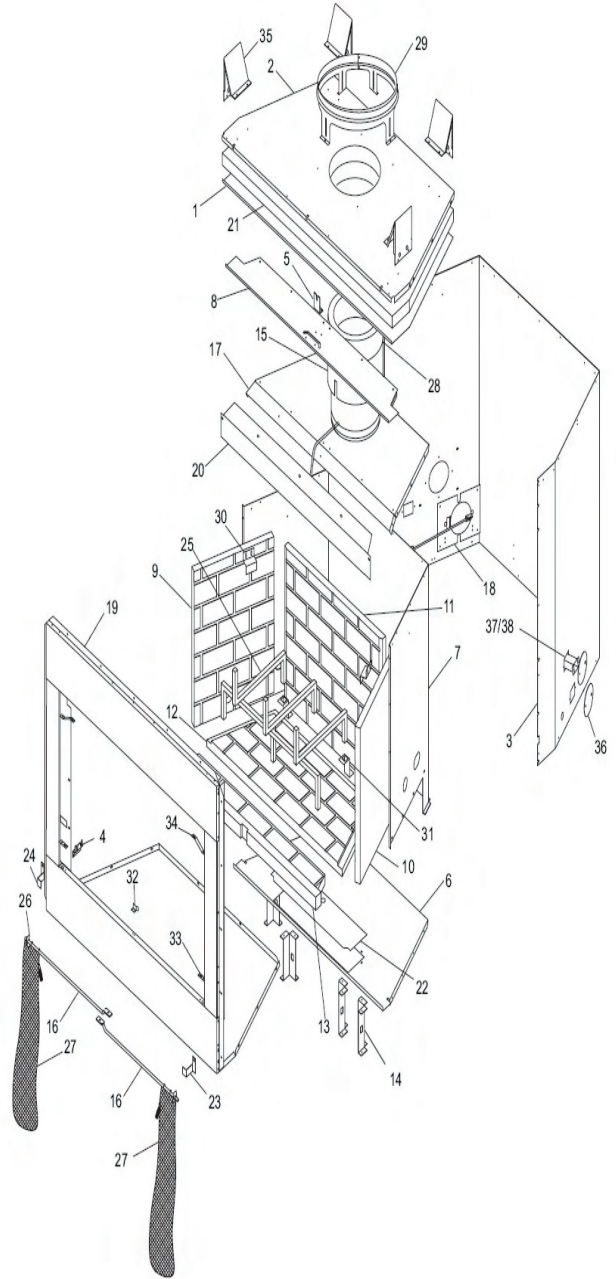


# FMI Tuscan 42" Woodburning Fireplace

MODELS: S42, S42H, S42R, S42RH

	Part Number	Description
1	**	Insulation Pan
2	**	Fireplace Top
3	**	Fireplace Surround
4	106642-01	Air Rod Retainer
5	106643-01	Damper Rod Retainer
6	**	Firebox Bottom
7	**	Firebox Surround
8	**	Air Separator
9	SeeBelow	Left Refractory
10	SeeBelow	Right Refractory
11	SeeBelow	Rear Refractory
12	SeeBelow	Bottom Rear Refractory
13	SeeBelow	Bottom Front Refractory
14	**	Firebox Support Leg
15	**	Damper Can Collar
16	107839-01	Screen Rod (2 Required)
17	**	Firebox Top Assembly
18	**	Air Kit Door Assembly
19	**	Face Weldment
20	110892-02	Air Deflector
21	**	Fireplace Top Insulation
22	**	Access Panel
23	107854-01	Right Refractory Bracket
24	107854-02	Left Refractory Bracket
25	111100-01	Grate
26	11418	Push-On Nut
27	110891-01	Screen (2 Required)
28	**	Collar Insulation
29	20023	Chimney Starter Collar
30	20027	Refractory Retainer
31	106539-02	Grate Retainer
32	111073-01	Door Stop
33	111204-01	Pivot Clip
34	20090	Spring Clip
35	20280	Top Spacer
36	21171	Conduit Plate Cover
37	21379	Gas Conduit
38	21380	Gas Conduit



<b>PARTS AVAILABLE - NOT SHOWN</b>		
	106625-01	Home Owner's Guide
	20093	Ember Protector

<b>Standard White Brick Refractory</b>		
9	107812-03	Left Refractory
10	107814-03	Right Refractory
11	107816-03	Rear Refractory
12	111091-01	Bottom Rear Refractory
13	111092-01	Bottom Front Refractory

<b>Herringbone White Brick Refractory</b>		
9	108169-03	Left Refractory
10	108170-03	Right Refractory
11	108171-03	Rear Refractory
12	111091-01	Bottom Rear Refractory
13	111092-01	Bottom Front Refractory

	Part No.	List Price
<b>Standard Red Brick Refractory</b>		
9	107812-02	Left Refractory
10	107814-02	Right Refractory
11	107816-02	Rear Refractory
12	111091-02	Bottom Rear Refractory
13	111092-02	Bottom Front Refractory

<b>Herringbone Red Brick Refractory</b>		
9	108169-02	Left Refractory
10	108170-02	Right Refractory
11	108171-02	Rear Refractory
12	111091-02	Bottom Rear Refractory
13	111092-02	Bottom Front Refractory

\*\* Not Field Replaceable Part