



## CCT41 Fireplace Systems

### Installation and Operation Manual

PART NO.	MODEL	DESCRIPTION
794070B	CCT41-EING	Electronic Ignition Natural Gas
794072B	CCT41-SPNG	Standing Pilot Natural Gas
794073B	CCT41-SPLP	Standing Pilot Liquid Propane

**FOR YOUR SAFETY  
WHAT TO DO IF YOU  
SMELL GAS:**

- 1) Do not try to light any appliance.
- 2) Do not touch any electrical switch; do not use any phone in your building.
- 3) Extinguish any open flame.
- 4) Immediately call your gas supplier from a neighbor's phone. Follow the gas supplier's instructions.
- 5) If you cannot reach your gas supplier, call the fire department.

**FOR YOUR SAFETY:**

Do not store or use gasoline or other flammable vapors and liquids in the vicinity of this or any other appliance.

Due to high temperatures, the appliance should be located out of traffic and away from furniture and draperies.

Do not place clothing or other flammable materials on or near the appliance.



This symbol on the product means it is listed by Warnock Hersey

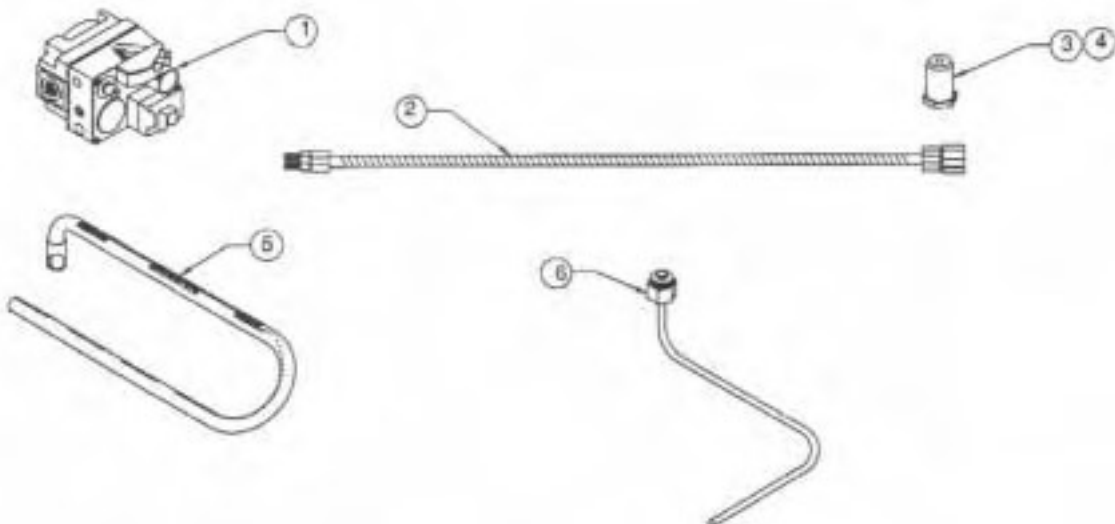
## 2. ORDERING REPLACEMENT PARTS

- 1.) Please refer to the Replacement Parts lists and diagrams when ordering replacement parts for your appliance. It contains proper names and part numbers of each component to assist you when and if you need to order.
- 2.) When possible, order repair parts for your appliance from the dealer where it was purchased.
- 3.) Be sure to give the Part Number, the Name of the part, and the Fireplace Stock Number. You will find the Fireplace Stock Number on the rating plate inside the appliance's bottom control panel.
- 4.) When remittance is sent with the order, include enough for transportation.
- 5.) There is a minimum charge of \$10.00 plus postage for each order.
- 6.) All parts are subject to change without notice.

### REPLACEMENT PARTS LISTS:

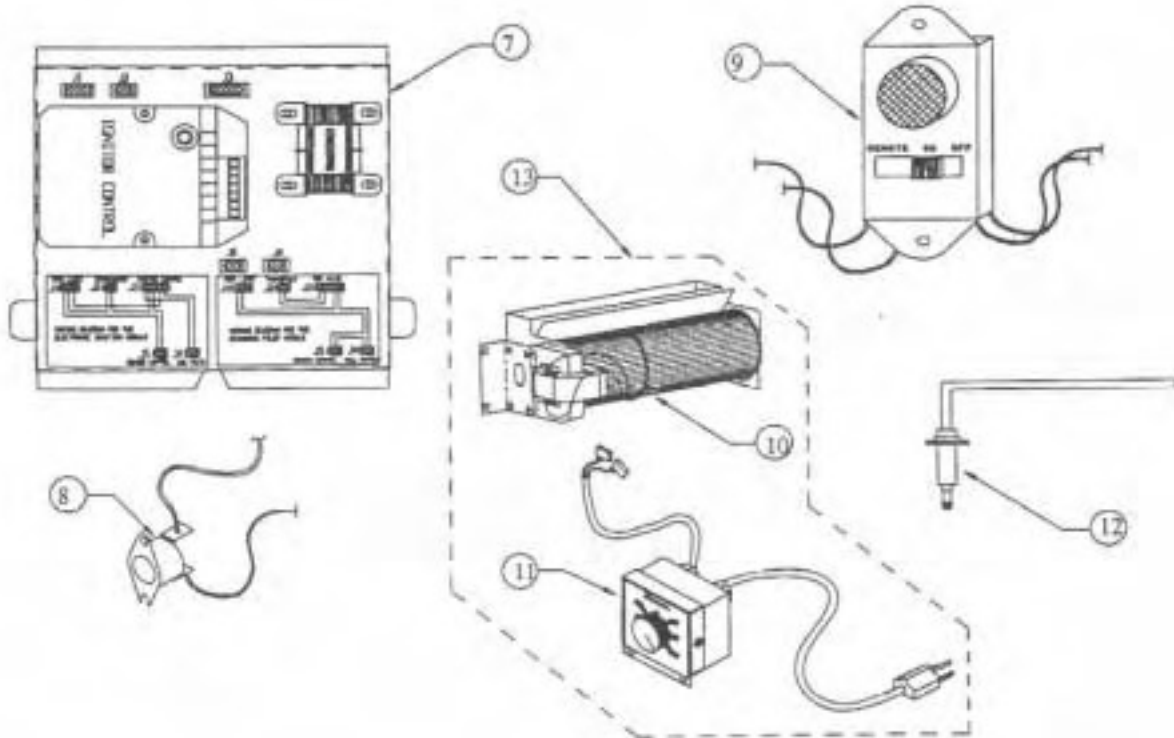
#### ELECTRONIC IGNITION FIREPLACE COMPONENTS

ITEM	PART #	DESCRIPTION
1	495101	Regulator Valve, Natural Gas
2	495102	Regulator Valve, Propane Gas
3	198440	Flexible Gas Line
4	499990	# 37 Orifice, Natural Gas
4	499993	# 52 Orifice, Propane Gas
5	198490	Gas Burner
6	198491	3/8" Aluminum Tubing



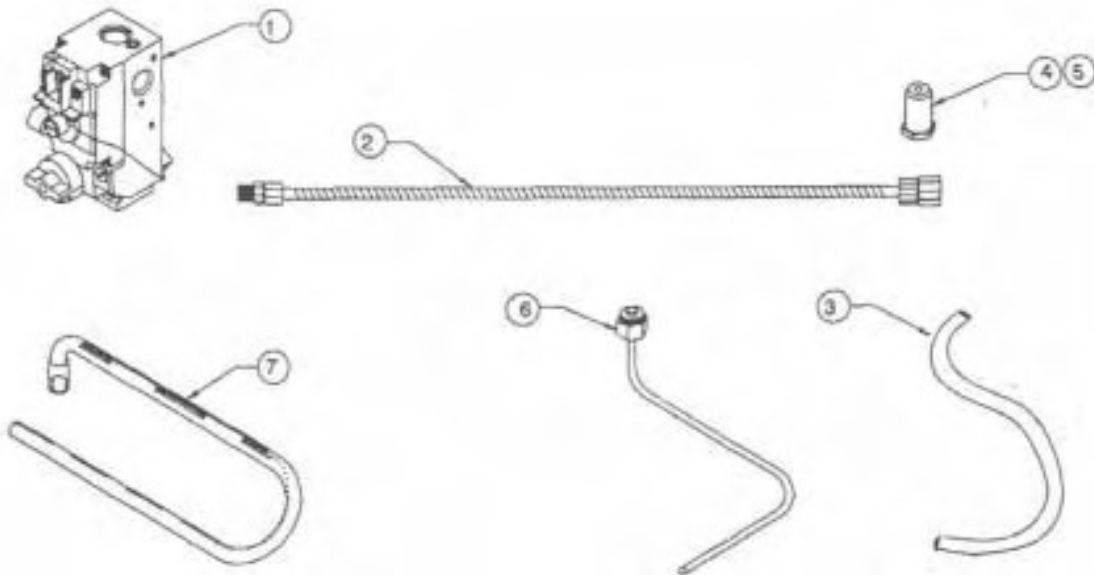
## ELECTRONIC IGNITION FIREPLACE COMPONENTS

ITEM	PART #	DESCRIPTION
7	499728	Electronic Service Module, Electronic Ignition
8	113316	Heat Limit Switch
9	794012	Remote Control (Optional)
10	115508	Fan (Optional)
11	499744	Fan Control (Optional)
12	480051	Igniter/Sensor
13	794501	Fan Kit (Optional)



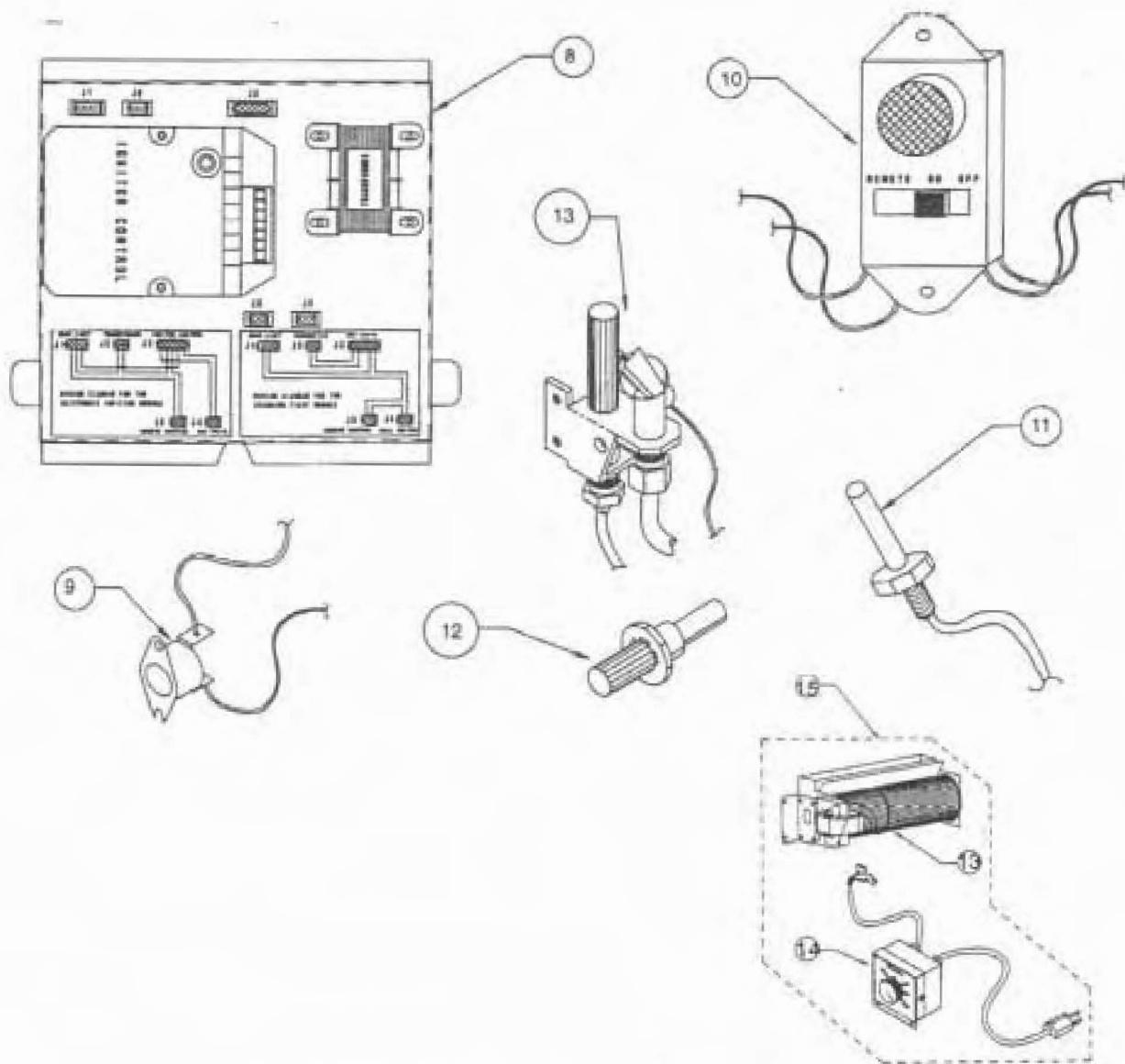
## STANDING PILOT FIREPLACE COMPONENTS

ITEM	PART #	DESCRIPTION
1	495103	Valve Regulator, Natural Gas
1	495104	Valve Regulator, Propane Gas
2	198440	Flexible Gas Line
3	480053	1/4" Diameter Aluminum Tubing (Regulator to Pilot)
4	499990	# 37 Orifice, Natural Gas
5	499993	# 52 Orifice, Propane
6	198491	3" Aluminum Tubing
7	198490	Gas Burner



## STANDING PILOT FIREPLACE COMPONENTS

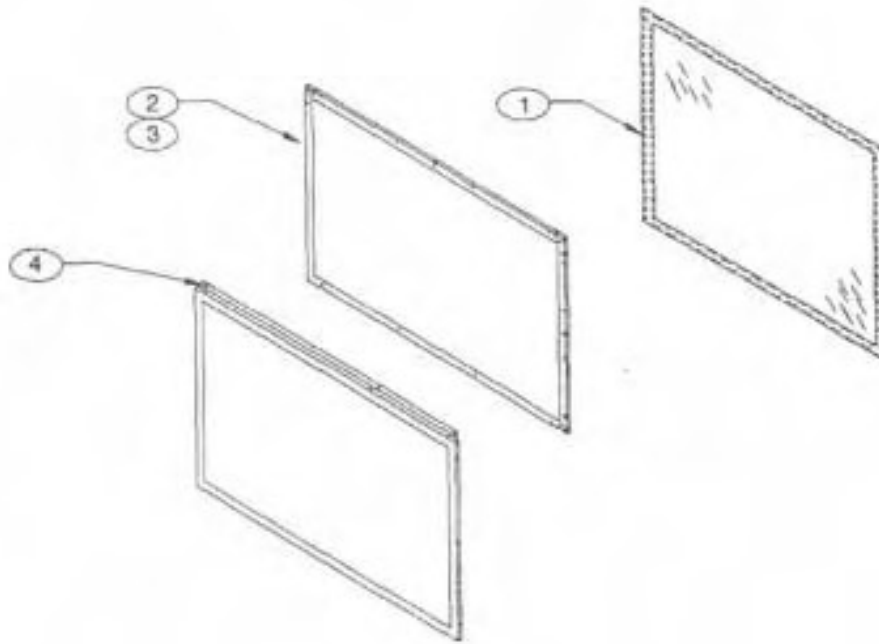
ITEM	PART #	DESCRIPTION
8	499731	Electronic Service Module, Standing Pilot
9	113316	Heat Limit Switch
10	794012	Remote Control (Optional)
11	116158	Thermopile
12	116140	Igniter, Piezo Electronic
13	495105	Pilot Assembly, Natural Gas
13	495106	Pilot Assembly, Propane Gas
14	115508	Fan (Optional)
15	499744	Fan Control (Optional)
16	794501	Fan Kit (Optional)



**NOTE: REFER TO PAGE 25 FOR FAN KIT NUMBERS**

## GLASS PANEL AND HARDWARE COMPONENTS

ITEM	PART #	DESCRIPTION
1	494551	Glass Panel/ Gasket Kit
2	599780A	Glass Panel Bracket, Top & Bottom
3	599799A	Glass Panel Bracket, Sides
4	480045	Panel Frame



## MISCELLANEOUS COMPONENTS

ITEM	PART #	DESCRIPTION
1	480040	Grate
2	164672	Front Log
3	164673	Back Log
4	164674	Cross Log "L" Left
5	164678	Cross Log "L" Right
6	164677	Cross Log "Y" Right
7	165675	Cross Log "Y" Left
8	164676	Cross Log Center "Y"
9	480024	Lower Grille
10	480022	Upper Grille
11	794554	Decorative Hood Attachment
12	794557	Edge Trim Kit
13	N/A	Embers
14	794540	Vinyl Siding Protector

