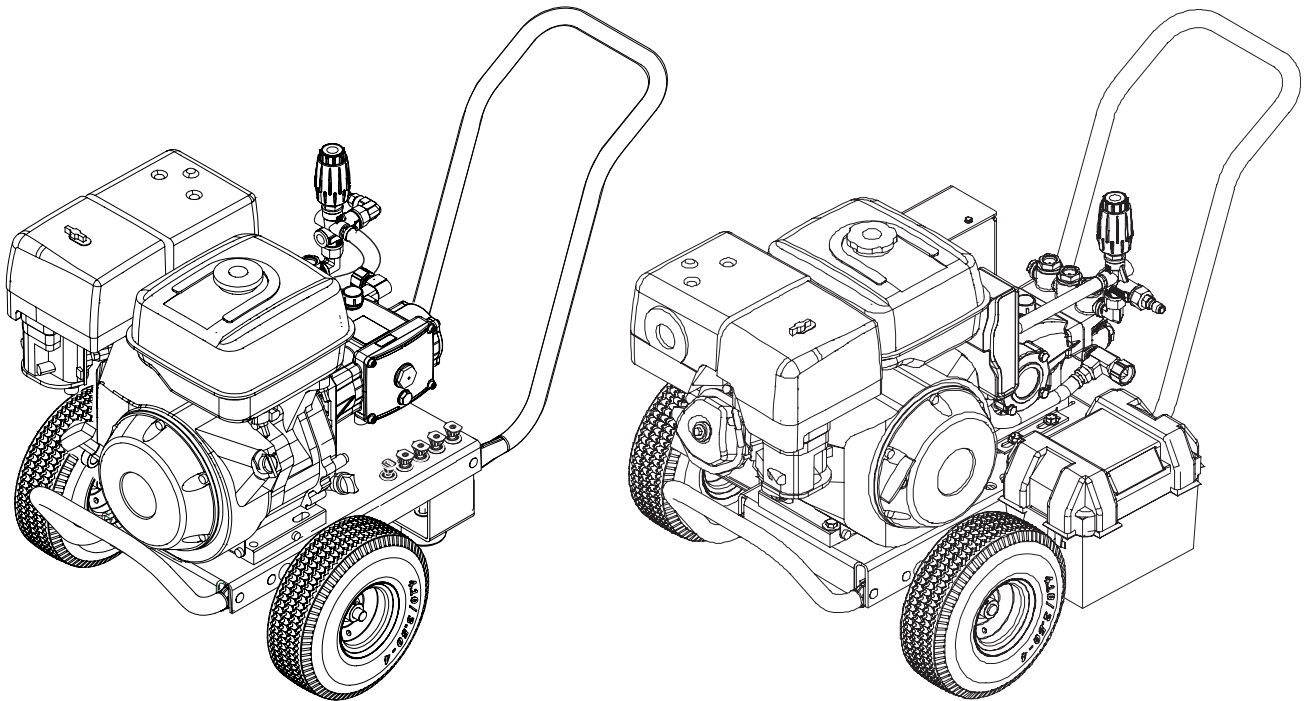


SERVICE MANUAL

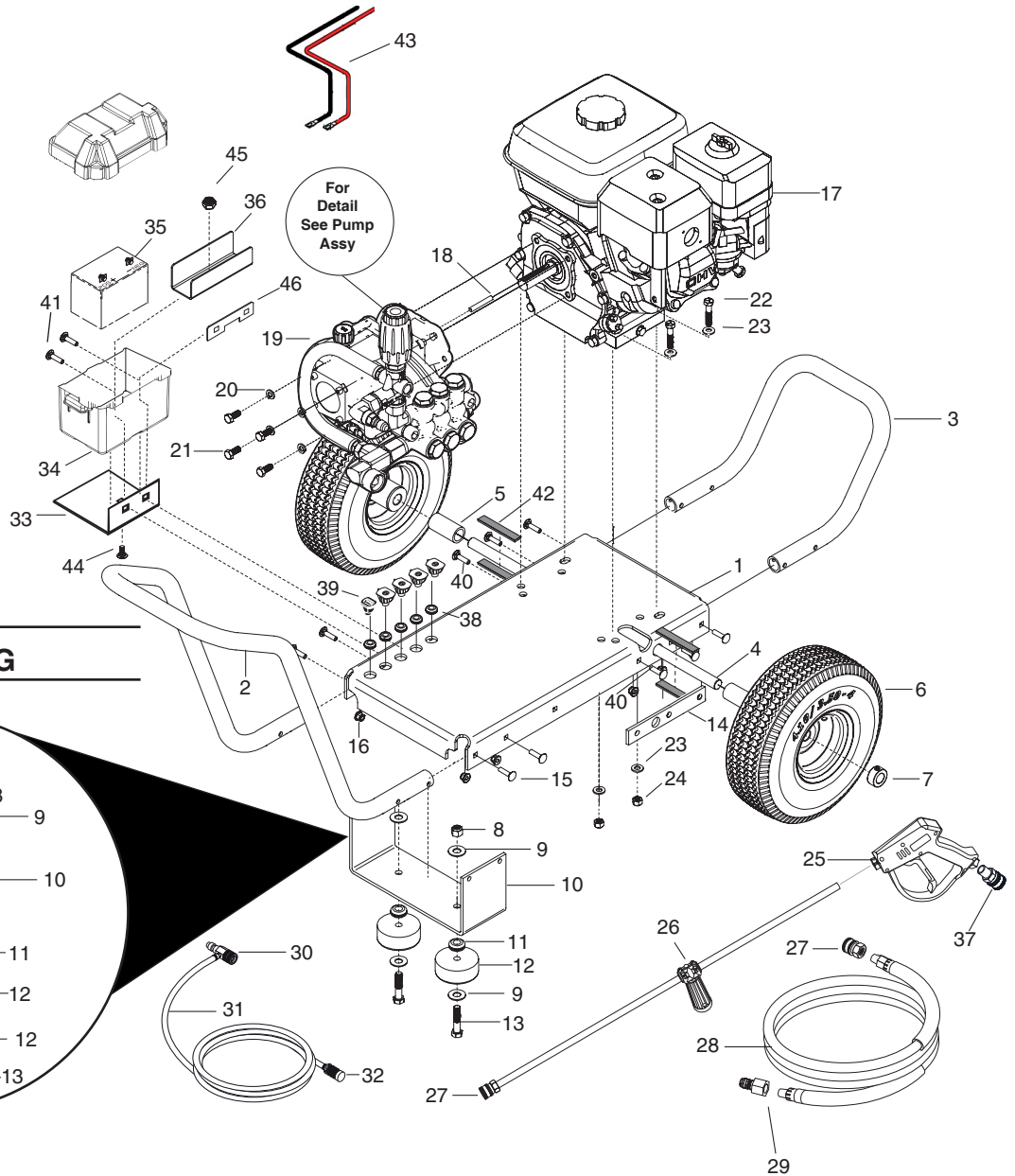


MODEL #
HD 3.0/27 G
HD3.0/27 GB
HD 3.5/35 G
HD 3.5/35 GB
HD 4.0/40 G
HD 4.0/40 GB
HD 4.0/40 Ge
HD 4.0/40 GeB

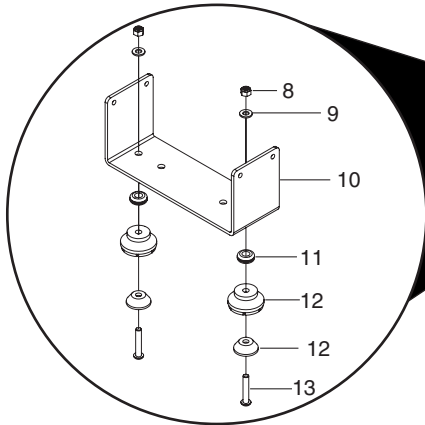
ORDER #
1.107-270.0
1.107-271.0
1.107-272.0
1.107-273.0
1.107-274.0
1.107-275.0
1.107-276.0
1.107-277.0

EXPLODED VIEW

HD 3.5/35 G, HD 4.0/40 G, HD 4.0/40 Ge



HD 3.0/27 G



ITEM #1 (BASE)		
MODEL	SERIAL NUMBER FROM - TO	USE BASE
HD 3.0/27 G	100001 - 100135	8.924-694.0
HD 3.5/35 G	100001 - 100002	8.294-694.0
HD 4.0/40 G	100001 - 101011	8.294-694.0
HD 4.0/40 Ge	100001 - 100019	8.294-694.0

ITEM #1 (CURRENT BASE)		
MODEL	SERIAL NUMBER FROM - TO	USE BASE
HD 3.0/27 G	100136 - Until Now	8.924-115.0
HD 3.5/35 G	100003 - Until Now	8.924-115.0
HD 4.0/40 G	101012 - Until Now	8.924-115.0
HD 4.0/40 Ge	100020 - Until Now	8.924-115.0

ITEM #2 (HANDLE)		
MODEL	SERIAL NUMBER FROM - TO	USE HANDLE
HD 3.0/27 G	100001 - 100135	8.924-697.0
HD 3.5/35 G	100001 - 100002	8.294-697.0
HD 4.0/40 G	100001 - 101011	8.294-697.0
HD 4.0/40 Ge	100001 - 100019	8.294-697.0

ITEM #2 (CURRENT HANDLE)		
MODEL	SERIAL NUMBER FROM - TO	USE HANDLE
HD 3.0/27 G	100136 - Until Now	8.924-394.0
HD 3.5/35 G	100003 - Until Now	8.924-394.0
HD 4.0/40 G	101012 - Until Now	8.924-394.0
HD 4.0/40 Ge	100020 - Until Now	8.924-394.0

ITEM #3 (BUMPER)		
MODEL	SERIAL NUMBER FROM - TO	USE BUMPER
HD 3.0/27 G	100001 - 100135	8.924-698.0
HD 3.5/35 G	100001 - 100002	8.294-698.0
HD 4.0/40 G	100001 - 101011	8.294-698.0
HD 4.0/40 Ge	100001 - 100019	8.294-698.0

ITEM #3 (CURRENT BUMPER)		
MODEL	SERIAL NUMBER FROM - TO	USE BUMPER
HD 3.0/27 G	100136 - Until Now	8.924-393.0
HD 3.5/35 G	100003 - Until Now	8.924-393.0
HD 4.0/40 G	101012 - Until Now	8.924-393.0
HD 4.0/40 Ge	100020 - Until Now	8.924-393.0

ITEM #10 (FOOT)		
MODEL	SERIAL NUMBER FROM - TO	USE FOOT
HD 3.0/27 G	100001 - 100135	8.924-699.0
HD 3.5/35 G	100001 - 100002	8.294-699.0
HD 4.0/40 G	100001 - 101011	8.294-699.0
HD 4.0/40 Ge	100001 - 100019	8.294-699.0

ITEM #10 (CURRENT FOOT)		
MODEL	SERIAL NUMBER FROM - TO	USE FOOT
HD 3.0/27 G	100136 - Until Now	8.924-116.0
HD 3.5/35 G	100003 - Until Now	8.924-116.0
HD 4.0/40 G	101012 - Until Now	8.924-116.0
HD 4.0/40 Ge	100020 - Until Now	8.924-116.0

ITEM #14 (HOLDER)		
MODEL	SERIAL NUMBER FROM - TO	USE HOLDER
HD 3.0/27 G	100001 - 100135	8.924-696.0
HD 3.5/35 G	100001 - 100002	8.924-696.0
HD 4.0/40 G	100001 - 101011	8.924-696.0
HD 4.0/40 Ge	100001 - 100019	8.924-696.0

ITEM #14 (CURRENT HOLDER)		
MODEL	SERIAL NUMBER FROM - TO	USE HOLDER
HD 3.0/27 G	100136 - Until Now	8.924-074.0
HD 3.5/35 G	100003 - Until Now	8.924-074.0
HD 4.0/40 G	101012 - Until Now	8.924-074.0
HD 4.0/40 Ge	100020 - Until Now	8.924-074.0

EXPLODED VIEW PARTS LIST

HD 3.0/27 G, HD 3.5/35 G, HD 4.0/40 G, HD 4.0/40 Ge

ITEM	PART NO.	DESCRIPTION	QTY
1		See table in page 4	
2		See table in page 4	
3		See table in page 4	
4	8.924-233.0	Axle, 5/8" x 21.750" Long CW (HD 3.5/35 G, HD 4.0/40 G, HD 4.0/40 Ge)	1
	9.803-097.0	Axle, 5/8 X 20.125 Long (HD 3.0/27 G)	1
5	8.924-072.0	AL Spacer Tube DD Frame CW (HD 3.5/35 G, HD 4.0/40 G, HD 4.0/40 Ge)	2
	8.924-179.0	AL Spacer Tube DD Frame (HD 3.0/27 G)	2
6	8.756-365.0	QH Wheel Assy 10", Gray STL RIM, Flat	1
7	9.802-782.0	Collar, 5/8" Bore Shaft 3010	2
8	9.197-003.0	3/8-16 Nylon Insert l/n zc 5um White (HD 3.5/35 G, HD 4.0/40 G, HD 4.0/40 Ge)	2
	9.802-776.0	NUT, 5/16-18, ESNA (HD 3.0/27 G)	2
9	9.802-817.0	Washer, 3/8" x 1" (HD 3.5/35 G, HD 4.0/40 G, HD 4.0/40 Ge)	4
	8.718-980.0	Washer, 5/16" FLAT, SAE (780452) (HD 3.0/27 G)	4
10		See table in page 4	
11	9.802-064.0	Grommet, Rubber, Nozzle Holder	2
12	9.802-066.0	Pad Soft Rubber (HD 3.5/35 G, HD 4.0/40 G, HD 4.0/40 Ge)	2
	8.756-484.0	Rubber, Set Pad & Brkt, 50mm (HD 3.0/27 G)	2
13	9.196-041.0	Hex Head Bolt 3/8-16 x 1-3/4" (HD 3.5/35 G, HD 4.0/40 G, HD 4.0/40 Ge)	2
	8.641-663.0	SCREW, 5/16-18 X 1.75 SCHBTNHCS STL ZNPL (HD 3.0/27 G)	2
14		See table in page 4	
15	9.802-706.0	Bolt, 1/4"-20 x 1-3/4" Carriage Zinc (HD 3.0/27 G)	8
	9.802-706.0	Bolt, 1/4"-20 x 1-3/4" Carriage Zinc (HD 4.0/40 G, HD 4.0/40 Ge)	7
16	9.197-010.0	1/4-20" Nylon Insert Lock Nut With Flange	10
17	9.802-317.0	Engine, Honda, GX200, 6.5 hp (HD 3.0/27 G)	1
	8.750-680.0	Engine, Honda GX270, 9hp (HD 3.5/35 G)	1
	8.750-580.0	Engine, Honda, GX390, 13hp (HD 4.0/40 G)	1
	8.750-581.0	Engine, Honda GX390, 13HP E/S (HD 4.0/40 Ge)	1
18	9.802-958.0	Key, 0.185 SQR X 1.75" (HD 3.0/27 G)	1
	9.802-959.0	Key, 0.247 SQR X 2.125" (HD 3.5/35 G, HD 4.0/40 G, HD 4.0/40 Ge)	1
19	8.754-756.0	Pump, Leuco LP3035G, 3.0@3500, 3400 RPM (HD 3.0/27 G)	1
	8.754-758.0	Pump, Leuco LP3535G1, 3.0@3500, 3400 RPM (HD 3.5/35 G)	1
	8.750-753.0	Pump, Leuco LS4040G.3, 4@4000, 3400 RPM (HD 4.0/40 G, HD 4.0/40 Ge)	1
20	9.802-813.0	Washer, 5/16" Split Ring Lock, Zinc (HD 3.0/27 G)	4
	9.802-814.0	Washer, 3/8" Split Ring Lock, Zinc (HD 3.5/35 G, HD 4.0/40 G, HD 4.0/40 Ge)	4
21	8.733-007.0	Socket Head 5/16-24 X 3/4 Zinc Plated	4
	9.802-722.0	Bolt, 3/8 X 1-1/4", NC HH (HD 3.5/35 G, HD 4.0/40 G, HD 4.0/40 Ge)	4
22	9.802-713.0	Bolt, 5/16" X 1-1/2", NC HH (HD 3.0/27 G)	4
	9.196-041.0	Hex Head Bolt 3/8-16 x 1-3/4 (HD 3.5/35 G, HD 4.0/40 G, HD 4.0/40 Ge)	4
23	8.718-980.0	Washer, 5/16" Flat, SAE (HD 3.0/27 G)	8
	9.802-817.0	Washer, 3/8" x 1" (HD 3.5/35 G, HD 4.0/40 G, HD 4.0/40 Ge)	8
24	9.802-776.0	Nut, 5/16-18, ESNA (HD 3.0/27 G)	4
	9.197-003.0	3/8-16 NE Nylon Insert L/N ZC 5UM White (HD 3.5/35 G, HD 4.0/40 G, HD 4.0/40 Ge)	4
25	8.750-247.0	Trigger Gun Model m407 (All Models)	1
26	8.783-039.0	Wand 30" Zinc Plated, Handle & Coupler (HD 3.0/27 G)	1
	8.783-040.0	Wand 44" Zinc Plated, Handle & Coupler (HD 3.5/35 G, HD 4.0/40 G, HD 4.0/40 Ge)	1
27	9.802-166.0	Coupler, 3/8" Socket, Female, Brass	2
28	8.916-740.0	Hose, 3/8" x 50', 1w, TS, SOXSW	1
29	9.802-170.0	Coupler, 3/8" Plug, Female, Steel Zinc	1
30	9.802-216.0	Injector, Chem, Non Adj, 0.083	1
31	6.388-216.0	Hose DN 5	3.2 ft.
32	5.731-652.0	Filter with weight	1

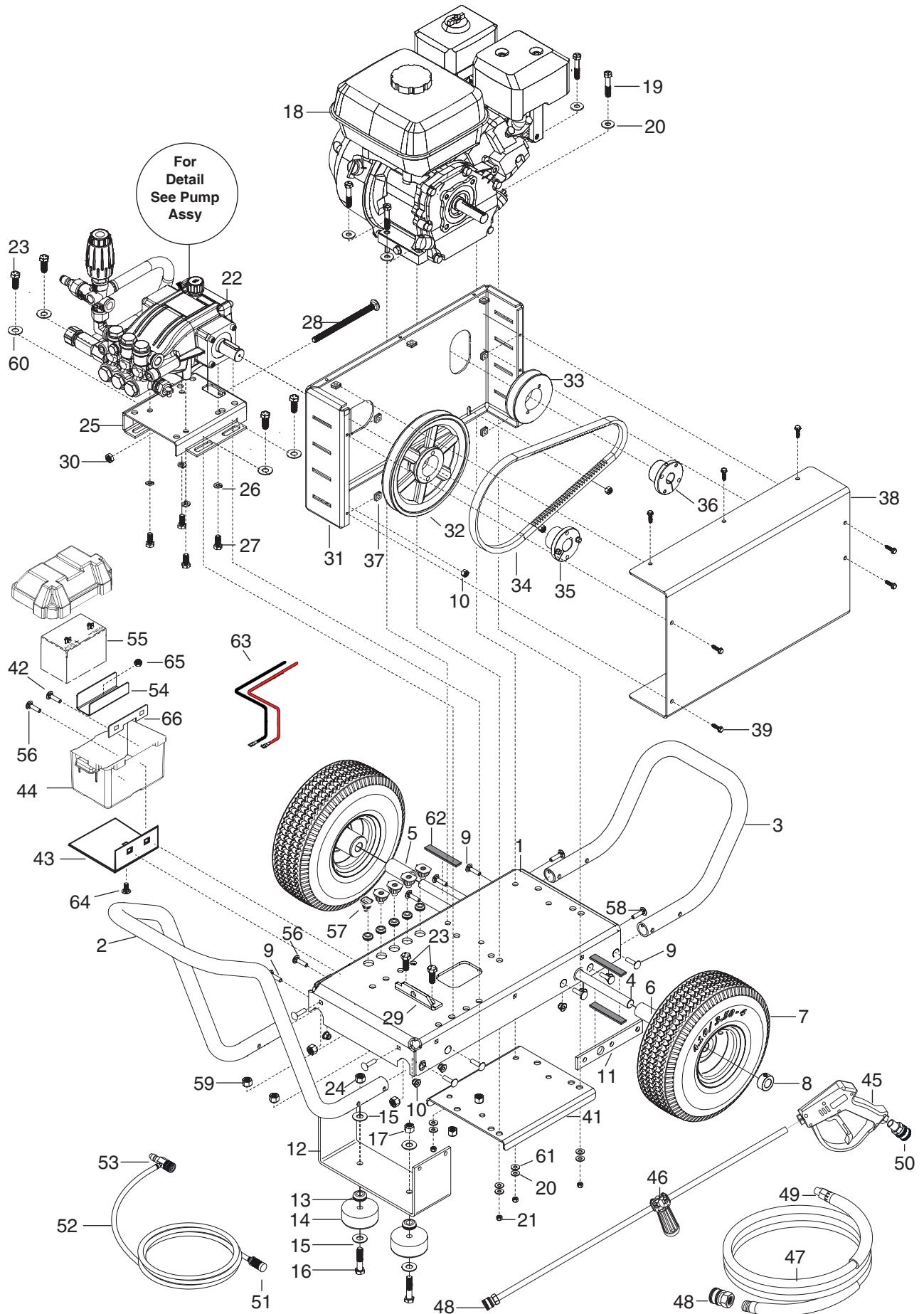
EXPLODED VIEW PARTS LIST

HD 3.0/27 G, HD 3.5/35 G, HD 4.0/40 G, HD 4.0/40 Ge

ITEM	PART NO.	DESCRIPTION	QTY
38	8.755-187.0	Grommet, Rubber, Nozzle Holder Base 3/16	5
39	8.712-337.0	Nozzle, SAQCMEG, 0003.5, Red (HD 3.0/27 G, HD 3.5/35 G)	1
	8.712-345.0	Nozzle, SAQCMEG 0004, Red (HD 4.0/40 G, HD 4.0/40 Ge)	1
	8.712-338.0	Nozzle, SAQCMEG 1503.5, Yellow (HD 3.0/27 G, HD 3.5/35 G)	1
	8.712-346.0	Nozzle, SAQCMEG 1504, Yellow (HD 4.0/40 G, HD 4.0/40 Ge)	1
	8.712-339.0	Nozzle, SAQCMEG, 2503.5, Green (HD 3.0/27 G, HD 3.5/35 G)	1
	8.712-347.0	Nozzle, SAQCMEG 2504, Green (HD 4.0/40 G, HD 4.0/40 Ge)	1
	8.712-340.0	Nozzle, SAQCMEG 4003.5, White (HD 3.0/27 G, HD 3.5/35 G)	1
	8.712-348.0	Nozzle, SAQCMEG 4004, White (HD 4.0/40 G, HD 4.0/40 Ge)	1
	8.712-398.0	Nozzle kpl., QCCEM-6540 Mess. (CHEM) (All Models)	1
40	8.755-187.0	Grommet, Rubber, Nozzle Holder Base 3/16	5
41	8.755-187.0	Grommet, Rubber, Nozzle Holder Base 3/16	5
42	9.802-073.0	Weatherstrip, 1/8" x 1/2"	12"
43	8.924-240.0	Electric Harness	1
44	9.802-705.0	Bolt, 1/4 - 20" x 1" Carriage Zinc	1
45	9.197-010.0	Nylon Insert Lock Nut With Flang 1/4-20"	1
46	8.924-732.0	Support SS, Battery Box	1

EXPLODED VIEW

For Models: HD3.0/27 GB, HD 3.5/35 GB, HD 4.0/40 GB, HD 4.0/40 GeB



EXPLODED VIEW PARTS LIST

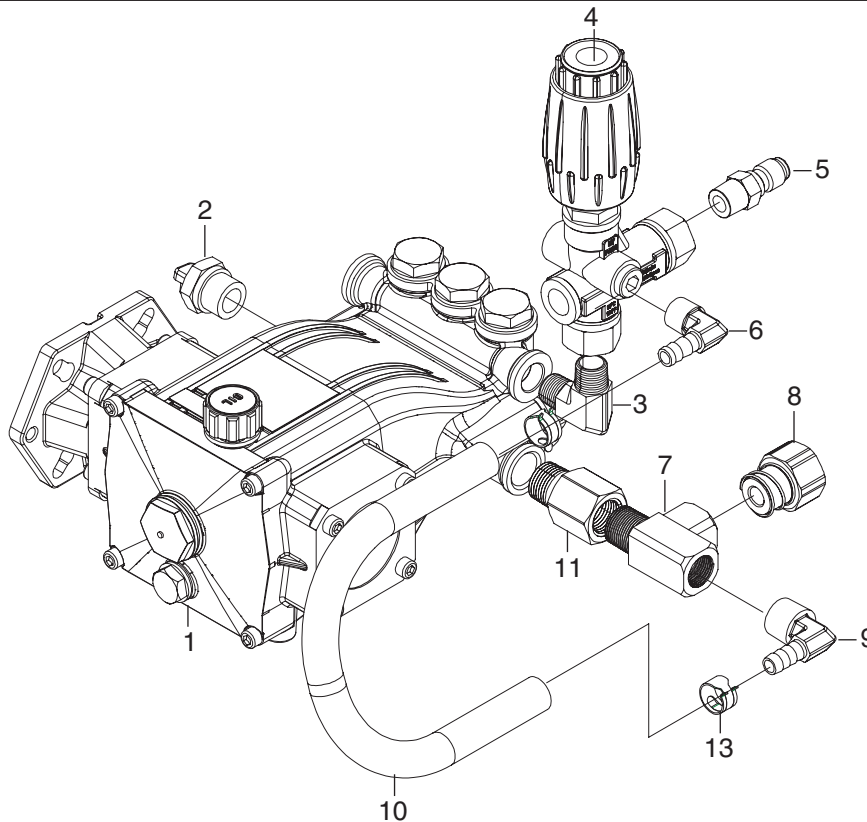
ITEM	PART NO.	DESCRIPTION	QTY
1	8.924-117.0	Al Base Belt Drive CW	1
2	8.924-394.0	Al Handle CW	1
3	8.924-393.0	Al Bumper Flat End CW	1
4	8.924-089.0	Axle CW Base AL 23" Long (HD 3.5/35 GB, HD 4.0/40 GB, HD 4.0/40 GeB)	1
	8.631-285.0	Axle, Dia .625, Frame, 21" l (HD 3.0/27 GB)	1
5	8.924-072.0	AL Spacer Tube DD Frame CW (HD 3.5/35 GB, HD 4.0/40 GB, HD 4.0/40 GeB)	1
	8.924-121.0	Al Spacer Tube BD Frame CW (HD3.0/27 GB)	1
6	8.924-124.0	Al Spacer Tube BD Frame CW	1
7	8.756-365.0	QH Wheel Assy 10", Gray STL RIM Flat	2
8	9.802-782.0	Collar, 5/8" Bore Shaft 3010	2
9	9.802-706.0	Bolt, 1/4"-20 x 1-3/4" Carriage Zinc	8
10	9.197-010.0	1/4-20" Nylon Insert Lock Nut with Flange	17
11	8.924-074.0	Camaro Silver Axle Holder DD CW	2
12	8.924-116.0	Foot Al DD Frame CW	1
13	9.802-064.0	Grommet, Rubber, Nozzle Holder	2
14	9.802-066.0	Pad Soft Rubber	2
15	9.802-817.0	Washer, 3/8" x 1"	4
16	9.196-041.0	Hex Head Bolt 3/8-16 x 1-3/4	2
17	9.197-003.0	3/8-16 Nylon Insert L/N zc 5um White ((HD 3.5/35 GB, HD 4.0/40 GB, HD 4.0/40 GeB)	4
	9.197-003.0	3/8-16 Nylon Insert L/N zc 5um White ((HD3.0/27 GB)	8
18	9.802-317.0	Engine, Honda, GX 200, 6.5 HP (HD 3.0/27 GB)	1
	8.750-680.0	Engine, Honda GX270, 9HP (HD 3.5/35 GB)	1
	8.750-580.0	Engine, Honda, GX390, 13hp (HD 4.0/40 GB)	1
	8.750-579.0	Engine, Honda GX390, 13hp e/s 18a (HD 4.0/40 GeB)	1
19	9.802-714.0	Bolt, 5/16" x 1-3/4", NC HH (HD 3.0/27 GB)	4
	9.186-021.0	Hex Head Bolt 3/8-16 x 2" (HD 3.5/35 GB, HD 4.0/40 GB, HD 4.0/40 GeB)	4
20	9.802-806.0	Washer, 5/16" Flat, (HD3.0/27 GB)	8
	9.802-817.0	Washer, 3/8" x 1" (HD 3.5/35 GB, HD 4.0/40 GB, HD 4.0/40 GeB)	8
21	9.197-003.0	3/8-16 Ne Nylon Insert l/n zc 5um White (HD 3.0/27 GB)	8
	9.197-003.0	3/8-16 Ne Nylon Insert l/n zc 5um White (HD 3.5/35 GB, HD 4.0/40 GB, HD 4.0/40 GeB)	4
22	8.754-751.0	Pump, Leuco Lb3030r, 3.0@3000, 1650 rpm (HD 3.0/27 GB)	1
	8.750-755.0	Pump, Leuco Lm3540R.3, 3.5@ 4000 1850RPM (HD 3.5/35 GB)	1
	8.755-216.0	Pump, Leuco Lm3840r.3, 3.8@4000 1740 rpm (HD 4.0/40 GB)	1
23	9.802-720.0	Bolt, 3/8" x 1", NC hh	6
24	9.197-003.0	3/8-16 Ne Nylon Insert l/n zc 5um White	4
25	8.924-085.0	Under-Pump Slider	1
26	9.802-813.0	Washer, 5/16" Split Ring Lock, Zinc (HD 3.0/27 GB)	4
	9.802-816.0	Washer, 7/16", Split Ring Lock, Zinc (HD 3.5/35 GB, HD 4.0/40 GB, HD 4.0/40 GeB)	4
27	9.802-742.0	Bolt, 8mm x 20mm (HD 3.0/27 GB)	4
	9.802-744.0	Bolt, 10mm x 20mm, HH Zinc (HD 3.5/35 GB, HD 4.0/40 GB, HD 4.0/40 GeB)	4
28	8.755-199.0	Bolt, 3/8 x 6" Carriage Zinc	1
29	8.924-086.0	Frame Front Slider	1
30	9.802-789.0	Nut, 3/8", Hex, nc	1
31	8.924-118.0	Al Back Beltguard Short BD CW	1
32	9.802-380.0	Pulley, BK 80 h (HD 3.0/27 GB)	1
	8.715-592.0	Pulley, 2BK 80h (HD 3.5/35 GB)	1
	8.715-591.0	Pulley, 2BK 70 h (HD 4.0/40 GB)	1
33	9.802-379.0	Pulley, BK 36 h (HD3.0/27 GB)	1
	9.802-384.0	Pulley, 2BK 40h (HD 3.5/35 GB, HD 4.0/40 GB, HD 4.0/40 GBe)	1
	9.802-385.0	Pulley 2BK 34H-S (HD 4.0/40GB, HD 4.0/40 GBe)	1

EXPLODED VIEW PARTS LIST

ITEM	PART NO.	DESCRIPTION	QTY
34	9.802-415.0	Belt, BX35 (HD 3.0/27 GB)	1
	8.715-695.0	Belt, BX34 (HD 4.0/40 GB)	2
	8.715-697.0	Belt, BX36 (HD 3.5/35 GB)	1
35	9.802-402.0	Bushing, H x 24mm (HD 3.5/35 GB, HD 4.0/40 GB, HD 3.0/27 GB)	1
36	9.803-897.0	Bushing, H X 3/4 (HD3.0/27 GB)	1
	9.802-399.0	Bushing, H X 1 (HD 3.5/35 GB, HD 4.0/40 GB)	1
37	8.755-200.0	Nut,# 10 Spring ST BLK`	7
38	8.924-119.0	AL Front Beltguard Short BD CW (For All Belt Drive Models)	1
39	8.755-214.0	Screw,10-24X3/4	7
40	8.718-608.0	Bolt, 1/4-20 X 1-1/2", Carriage, Zinc (HD 3.5/35 GB, HD 4.0/40 GB, HD 4.0/40 GeB)	1
41	8.924-358.0	Camaro Silver Small Bracket	1
42	9.802-705.0	Bolt, 1/4"-20 x 1" Carriage Zinc (HD 4.0/40 GeB)	1
43	8.924-120.0	AL Battery Support CW (For All Belt Drive Models)	1
44	8.706-652.0	Battery Box, Small (HD 4.0/40 GeB)	1
45	8.750-247.0	Trigger Gun Model m407 (All Models)	1
46	8.783-039.0	Wand 30" Zinc Plated, Handle & Coupler (HD3.0/27 GB)	1
	8.783-040.0	Wand 44" Zinc Plated, Handle & Coupler (HD 3.5/35 GB, HD 4.0/40 GB, HD 4.0/40 GeB)	1
47	8.916-740.0	Hose 3/8"X50,1W,TS,SO-SW	1
48	9.802-166.0	Coupler, 3/8" Socket, Female, Brass	1
49	9.802-170.0	Coupler, 3/8" Plug, Female, Steel Zinc	1
50	9.802-169.0	Coupler, 3/8" Socket, Male, Brass	1
51	5.731-652.0	Filter with weight	1
52	6.388-216.0	Hose DN 5	3.2ft
53	9.802-216.0	Injector, Chem, Non Adj, 0.083	1
54	8.924-266.0	Bracket Battery Small (HD 4.0/40 GeB)	1
55	8.755-219.0	Battery, Sealed, D18S (HD 4.0/40 GeB)	1
56	9.802-706.0	Bolt, 1/4-20 X 1-3/4" Carriage Zinc (HD 3.0/27)	1
	8.730-042.0	Bolt Carriage, 1/4-20 X 2-1/2" Zinc (HD 3.5/35 GB, HD 4.0/40 GB, HD 4.0/40 GeB)	1
57	9.804-627.0	Nozzle, SAQCMEG, 000375, Red (HD 3.5/35 GB, HD 3.0/27 GB)	1
	8.712-345.0	Nozzle, SAQCMEG 0004, Red (HD 4.0/40 GB, HD 4.0/40 GeB)	1
	9.804-624.0	Nozzle, SAQCMEG 150375, Yellow (HD 3.5/35 GB, HD 3.0/27 GB)	1
	8.712-346.0	Nozzle, SAQCMEG 1504, Yellow (HD 4.0/40 GB, HD 4.0/40 GeB)	1
	9.804-625.0	Nozzle, SAQCMEG, 250375, Green (HD 3.5/35 GB, HD 3.0/27 GB)	1
	8.712-347.0	Nozzle, SAQCMEG 2504, Green (HD 4.0/40 GB, HD 4.0/40 GeB)	1
	8.712-340.0	Nozzle, SAQCMEG 4003.5, White (HD3.0/27 GB, HD 3.5/35 GB)	1
	8.712-348.0	Nozzle, SAQCMEG 4004, White (HD 4.0/40 GB, HD 4.0/40 GeB)	1
	8.712-398.0	Nozzle Black, QCEM-6540 Mess. (CHEM)	1
	9.804-626.0	Nozzle, SAQCMEG, 400375, WHITE (HD 3.0/27 GB)	1
	8.712-337.0	Nozzle, SAQCMEG 0003.5, Red (HD 3.5/35 GB)	1
	8.712-338.0	Nozzle, SAQCMEG 1503.5, Yellow (HD 3.5/35 GB)	1
	8.712-339.0	Nozzle, SAQCMEG, 2503.5, Green (HD 3.5/35 GB)	1
	58	8.718-607.0	Bolt, 1/4-20 X 3/4", Carriage
59	9.802-807.0	Washer, 3/8", Flat Zinc	4
60	9.198-004.0	3/8 USS F/W Zinc	4
61	9.198-014.0	Washer 21/64 X 1"	4
62	9.802-073.0	Weatherstrip, 1/8" x 1/2"	12"
63	8.924-240.0	Electric Harness	1
64	9.802-705.0	Bolt, 1/4 - 20" x 1" Carriage Zinc	1
65	9.197-010.0	Nylon Insert Lock Nut With Flang 1/4-20"	1
66	8.924-732.0	Support SS, Battery Box	1

PUMP ASSEMBLY EXPLODED VIEW

HD 3.0/27 G, HD 3.5/35 G, HD 4.0/40 G, HD 4.0/40 Ge

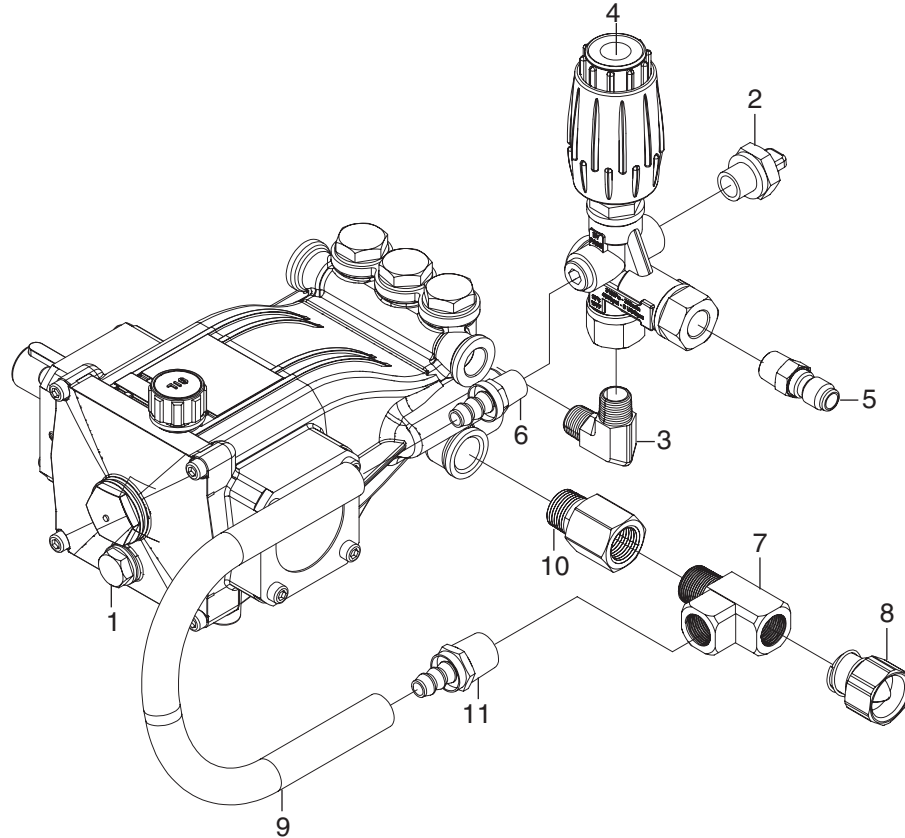


PUMP ASSY EXPLODED VIEW PARTS LIST

ITEM	PART NO.	DESCRIPTION	QTY	ITEM	PART NO.	DESCRIPTION	QTY
1	8.754-756.0	Pump, Leuco LP3035G, 3.0@3500, 3400 RPM (HD 3.0/27 G)	1	9	8.705-120.0	Hosebarb,Elbow,3/8" Barbx 1/2" MPT/90deg	1
	8.754-758.0	Pump, Leuco LP3535G1, 3.5@3500, 3400RPM (HD 3.5/35 G)	1	10	8.711-785.0	Hose, 3/8" Push on, per ft (All Models)	18"
	8.750-753.0	Pump, Leuco LS4040G. 3, 4@4000, 3400 RPM (HD 4.0/40 G, HD 4.0/40 GE)	1	11	8.706-984.0	Adapter, 1/2" fptx 1/2" mpt, Brass (HD 3.0/27 G,HD 3.5/35 G, HD 4.0/40 G,HD 4.0/40 Ge)	1
2	8.707-256.0	Pump protector,1/2" (HD 3.0/27G, HD3.5/35G, HD4.0/40G, HD4.0/40Ge)	1	12	8.707-022.0	Push-On, 3/8" X 1/2" MNPT" (HD 3.0/27 G,HD 3.5/35 G, HD 4.0/40 G, HD 4.0/40 Ge)	1
3	8.706-168.0	Elbow, 3/8" NPT-p/n- tf3529x6 Steel (All Models)	1	13	8.709-117.0	Clamp, Hose, UNI .62-.75 ST (HD3.0/27G,HD 3.5/35G, HD4.0/40G, HD4.0/40Ge)	1
4	8.750-299.0	Unloader, Vrt3, 8 GPM @4500 psi (All Models)	1				
5	9.802-171.0	Coupler, 3/8" Clug, Male, Steel/zinc (All Models)	1				
6	8.705-119.0	Hose Barb, 3/8' barb x 3/8' MPT 90 DEG (All Models)	1				
7	8.706-860.0	Tee, 1/2" Street, Brass (All Models)	1				
8	9.802-146.0	Swivel, 1/2" mp x 3/4" ghf w/Strainer (All Models)	1				

PUMP ASSEMBLY EXPLODED VIEW

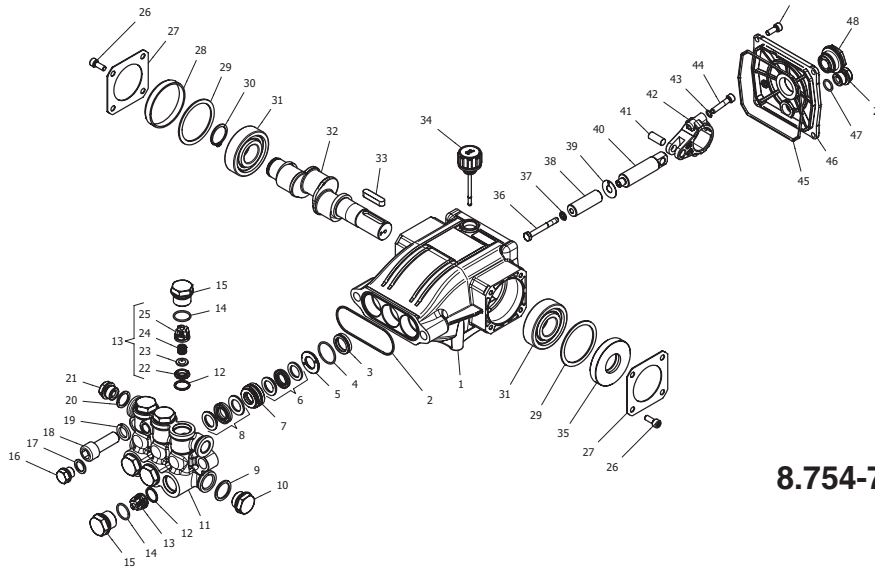
For Models: HD3.0/27 GB, HD 3.5/35 GB, HD 4.0/40 GB, HD 4.0/40 GeB



PUMP ASSY EXPLODED VIEW PARTS LIST

ITEM	PART NO.	DESCRIPTION	QTY	ITEM	PART NO.	DESCRIPTION	QTY
1	8.754-751.0	Pump, Leuco LB3030R, 3.0@3000, 1650 RPM (HD 3.0/27 GB)	1	9	8.711-785.0	Hose, 3/8" Push on, per ft (All Models)	18"
	8.750-755.0	Pump, Leuco LM3540R.3 3.5@ 4000 1850RPM (HD 3.5/35 GB)	1	10	8.706-984.0	Adapter, 1/2" fptx 1/2" mpt, Brass (HD 3.0/27 G, HD, HD 3.5/35 G)	1
	8.755-216.0	Pump, Leuco LM3840R.3, 3.8@4000 1740 RPM (HD 4.0/40 GB)	1	11	8.707-022.0	Push-On, 3/8" X 1/2" MNPT" (HD 3.0/27 G,HD 3.5/35 G, HD 4.0/40 G, HD 4.0/40 Ge)	1
2	8.707-254.0	Pump protector,3/8" (HD3.0/27 GB, HD3.5/35 GB, HD4.0/40GB, HD4.0/40GBGe)	1				
3	8.706-168.0	Elbow, 3/8" NPT-p/n- tf3529x6 Steel (All Models)	1				
4	8.750-299.0	Unloader, Vrt3, 8 GPM @4500 psi (All Models)	1				
5	9.802-171.0	Coupler, 3/8" Clug, Male, Steel/zinc (All Models)	1				
6	8.706-944.0	Hose Barb, 3/8' barb x 3/8' ml pipe (All Models)	2				
7	8.706-860.0	Tee, 1/2" Street, Brass (All Models)	1				
8	9.802-146.0	Swivel, 1/2" mp x 3/4" ghf w/Strainer (All Models)	1				

LB3030R PUMP EXPLODED VIEW



TORQUE SPECS	
Item #	Ft.-lbs
15	65
18	55
26	8
36	10
44	10

8.754-751.0 LB3030R

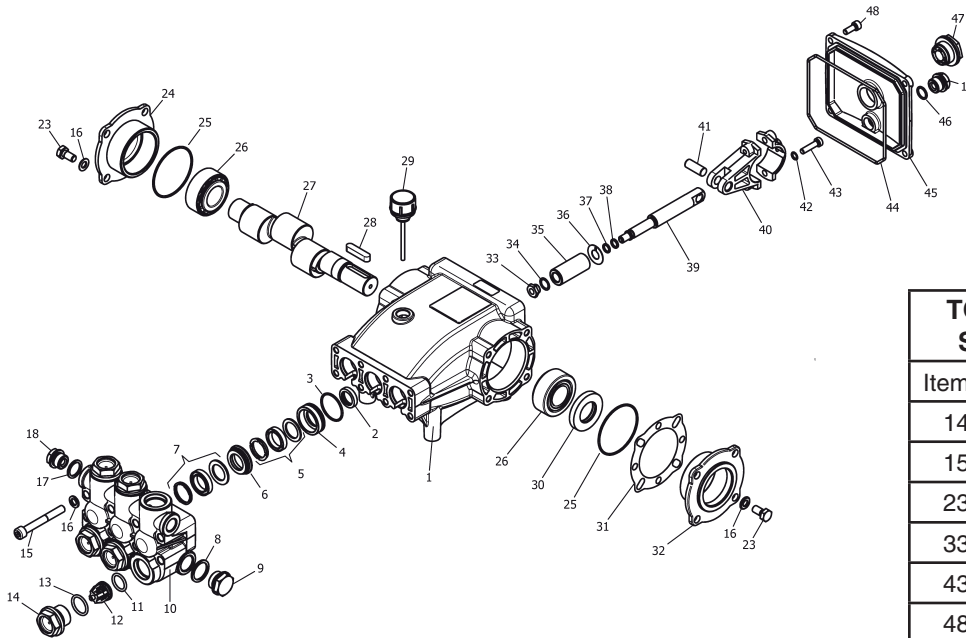
LB3030R PUMP PARTS LIST

ITEM	PART NO.	DESCRIPTION	QTY	ITEM	PART NO.	DESCRIPTION	QTY
1	8.754-841.0	Crankcase	1	26	9.802-939.0	Screw, M6 X 16	12
2	8.754-846.0	O-ring Ø1.78 X 72.75	1	27	8.717-137.0	Bearing Cover	2
3*	See Kits Below	Plunger Oil Seal	3	28	9.803-954.0	Bearing Seal	1
4*	See Kits Below	O-ring Ø1.78 X 26.7	3	29	8.754-843.0	Seal Spacer, Crankshaft	2
5*	See Kits Below	Washer, Pressure Ring 16 mm	3	30	9.802-914.0	Snap Ring, 25 mm	1
6*	See Kits Below	U-Seal, 16 mm	3	31	9.803-955.0	Bearing, Ball	2
7*	See Kits Below	Pressure Ring, 16 mm	3	32	8.754-829.0	Shaft, 24 mm 3030	1
8*	9.803-199.0	U-Seal, 16 mm	3		8.754-830.0	Shaft, 24 mm 4025	1
9	9.803-199.0	Washer, Copper G1/2	1	33	9.803-167.0	Key, Crankshaft	1
10	9.802-926.0	Plug, Brass G1/2	1	34	8.754-219.0	Oil Dipstick	1
11	8.754-852.0	Manifold	1	35	8.933-010.0	Seal, Crankshaft	1
12*	8.717-233.0	O-ring Ø1.78 X 15.6	6	36*	8.754-855.0	Bolt, Plunger	3
13*	See Kits Below	Valve Assembly	6	37*	8.754-092.0	Spacer, Copper	3
14*	9.803-948.0	O-ring Ø1.78 X 18.77	6	38*	8.754-848.0	Plunger, 16 mm	3
15	9.803-949.0	Valve Plug	6	39*	9.803-962.0	Spacer, Copper	3
16	8.754-851.0	Plug, Brass G1/4	1	40	8.754-827.0	Plunger Rod	3
17	8.718-973.0	Washer, Copper G1/4	1	41	9.803-965.0	Connecting Rod Pin	3
18	8.754-854.0	Bolt, Manifold M14 X 40	2	42	9.803-966.0	Connecting Rod	3
19	8.754-850.0	Washer, Lock	2	43	9.803-218.0	Washer, 6 mm	6
20	9.803-198.0	Washer, Copper G3/8	1	44	8.933-020.0	Screw, Connecting Rod	6
21	8.707-262.0	Plug, Brass G3/8	2	45	8.754-847.0	O-ring Ø2.62 X 111.62	1
22*	See Kits Below	Valve Seat	6	46	8.754-842.0	Cover, Crankcase	1
23*	See Kits Below	Valve Plate	6	47	9.803-906.0	O-ring Ø1.78 X 14	1
24*	See Kits Below	Valve Spring	6	48	9.803-202.0	Sight Glass, G3/4	1
25*	See Kits Below	Valve Cage	6				

REPAIR KIT NUMBER	8.754-856.0	8.754-857.0	8.754-858.0	8.754-859.0	9.803-937.0
KIT DESCRIPTION	Plunger Seals 16 mm	Seal Packing 16 mm	Plunger 16 mm	Complete Valve	Plunger Oil Seals
ITEM NUMBERS INCLUDED	4, 6, 8	4, 5, 6, 7, 8	36, 37, 38, 39	12, 13, 14	3
NUMBER OF CYLINDERS KIT WILL SERVICE	3	1	1	6	3

LM.3 SERIES PUMP EXPLODED VIEW

8.750-755.0 LM3540R.3
8.755-216.0 LM3840R.3



TORQUE SPECS	
Item #	Ft.-lbs
14	75
15	18
23	6
33	6
43	6
48	6

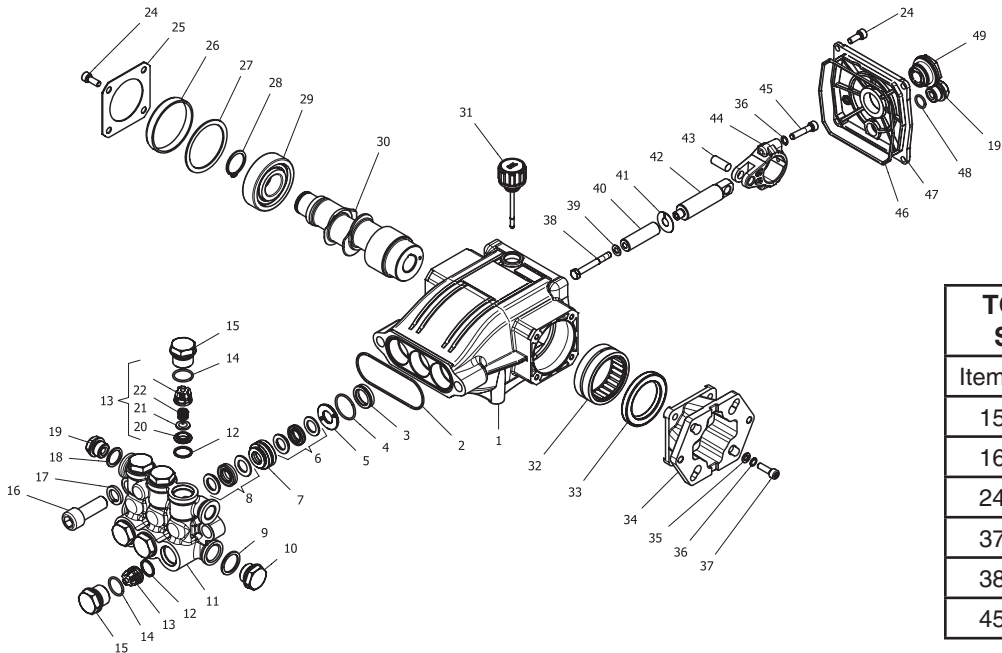
PUMP PARTS LIST

ITEM	PART NO.	DESCRIPTION	QTY	ITEM	PART NO.	DESCRIPTION	QTY
1	8.751-216.0	Crankcase	1	30	9.803-140.0	Crankshaft Seal	1
2	See Kits Below	Plunger Oil Seal	3	31	9.803-178.0	Shim	2
3*	See Kits Below	O-Ring Ø1.78 x 31.47	3	32	8.717-209.0	Bearing Housing	1
4*	See Kits Below	Pressure Ring	3	33*	See Kits Below	Plunger Nut, M8	3
5*	See Kits Below	U-Seal	3	34*	See Kits Below	Copper Spacer	3
6*	See Kits Below	Intermediate Ring	3	35*	See Kits Below	Plunger	3
7*	See Kits Below	U-Seal	3	36*	See Kits Below	Copper Spacer	3
8	9.803-199.0	Washer, Copper	1	37*	See Kits Below	O-Ring Ø1.78 x 7.66	3
9	9.802-926.0	Plug, Brass 1/2	1	38*	See Kits Below	Teflon Ring	3
10	8.751-218.0	Manifold Head	1	39	8.751-224.0	Plunger Rod	3
11*	See Kits Below	O-Ring Ø2.62 x 17.13	6		8.751-225.0	Plunger Rod (LM3540R.3)	3
12*	See Kits Below	Valve Assembly	6	40	9.803-158.0	Connecting Rod	3
13*	See Kits Below	O-Ring Ø2.62 x 20.29	6	41	8.751-228.0	Connecting Rod Pin	3
14	9.802-928.0	Valve Plug	6	42	9.803-218.0	Spring Washer	6
15	9.802-938.0	Manifold Stud Bolt	8	43	9.803-238.0	Connecting Rod Screw	6
16	9.802-884.0	Washer	16	44	8.933-016.0	O-Ring, Ø2.62 x 126.67	1
17	9.803-198.0	Copper Washer 3/8	1	45	8.751-229.0	Crankcase Cover	1
18	9.802-925.0	Brass Plug 3/8	1	46	9.803-197.0	O-Ring, Ø1.78 x 14	1
23	9.802-944.0	Screw, Hex, 8mm x 18mm	8	47	9.803-202.0	Sight Glass 3/4	1
24	8.717-210.0	Closed Bearing Housing	1	48	9.802-939.0	Cover Screw	5
25	9.803-192.0	O-Ring Ø1.78 x 60.05	2				
26	8.933-011.0	Tapered Roller Bearing	2				
27	8.751-222.0	Crankshaft (LM3840R)	1				
	8.751-223.0	Crankshaft	1				
28	9.803-167.0	Crankshaft Key	1				
29	9.802-921.0	Oil Dip Stick	1				

REPAIR KIT NO.	8.725-358.0	8.725-359.0	8.933-023.0	9.802-603.0	9.802-609.0
KIT DESCRIPTION	Plunger Seal 15mm	Complete Seal Packing 15mm	Plunger 15mm	Complete Valve	Plunger Oil Seals
ITEM NUMBERS INCLUDED	3, 5, 7	3, 4, 5, 6, 7	33, 34, 35, 36, 37, 38	11, 12, 13	2
NO. OF CYLINDERS KIT WILL SERVICE	3	1	1	6	3

LP 3035G PUMP EXPLODED VIEW

8.754-756.0 LP3035G



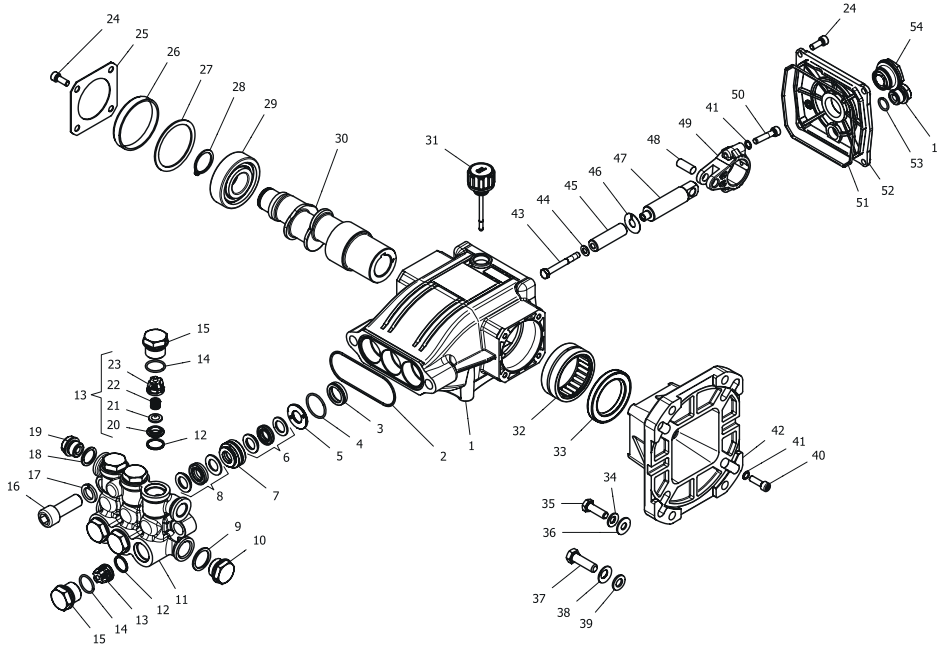
LP3035R PUMP PARTS LIST

ITEM	PART NO.	DESCRIPTION	QTY	ITEM	PART NO.	DESCRIPTION	QTY
1	8.751-216.0	Crankcase	1	28	9.802-914.0	Snap Ring, 25 mm	1
2	8.754-846.0	O-ring Ø1.78 X 72.75	3	29	9.803-955.0	Bearing, Ball	1
3*	See Kits Below	Plunger Oil Seal	3	30	8.754-834.0	Shaft, 3/4" Hollow (3035G)	1
4*	See Kits Below	O-ring Ø1.78 X 26.7	3	31	8.754-219.0	Oil Dipstick	1
5*	See Kits Below	Washer, Pressure Ring	3	32	8.754-840.0	Bearing Needle	1
6*	See Kits Below	U-Seal, 14mm	3	33	8.754-826.0	Seal, Crankshaft	1
7*	See Kits Below	Pressure Ring, 14 mm	3	34	8.754-863.0	Flange, Engine	1
8	See Kits Below	U-Seal, 14mm	1	35	9.803-210.0	Washer	4
9	9.803-199.0	Washer, Copper G1/2	1	36	9.803-218.0	Washer 6mm	10
10	9.802-926.0	Plug, Brass G1/2	1	37	8.752-824.0	Screw, M6 x 20	4
11	8.754-853.0	Manifold	1	38*	8.754-855.0	Bolt, Plunger	3
12*	8.717-233.0	O-ring Ø1.78 X 15.6	6	39*	8.754-092.0	Spacer, Copper	3
13*	See Kits Below	Valve Assembly	6	40*	8.754-849.0	Plunger, 14 mm	3
14*	9.803-948.0	O-ring Ø1.78 X 18.77	6	41*	9.803-962.0	Spacer, Copper	3
15	9.803-949.0	Valve Plug	6	42	8.754-827.0	Plunger Rod	3
16	8.754-854.0	Bolt, Manifold M14 x 40	2	43	9.803-965.0	Connecting Rod Pin	3
17	8.754-850.0	Washer, Lock	2	44	9.803-965.0	Connecting Rod	3
18	9.803-198.0	Washer, Copper G3/8	1	45	8.933-020.0	Screw, Connecting Rod	6
19	8.707-262.0	Plug, Brass G3/8	1	46	8.754-847.0	O-ring Ø2.62 X 111.62	1
20*	See Kits Below	Valve Seat	6	47	8.754-842.0	Cover, Crankcase	1
21*	See Kits Below	Valve Plate	6	48	9.803-906.0	O-ring Ø1.78 X 14	1
22*	See Kits Below	Valve Spring	6	49	9.803-202.0	Sight Glass, G3/4	1
23*	See Kits Below	Valve cage	6				
24	9.802-939.0	Screw, M6 X 16	12				
25	8.717-137.0	Bearing Cover	2				
26	9.803-954.0	Bearing Seal	1				
27	8.754-843.0	Seal Spacer, Crankshaft	1				

REPAIR KIT NUMBER	8.754-856.0	8.754-857.0	8.754-858.0	8.754-859.0	9.803-937.0
KIT DESCRIPTION	Plunger Seals 16 mm	Seal Packing 16 mm	Plunger 16 mm	Complete Valve	Plunger Oil Seals
ITEM NUMBERS INCLUDED	4, 6, 8	4, 5, 6, 7, 8	36, 37, 38, 39	12, 13, 14	3
NUMBER OF CYLINDERS KIT WILL SERVICE	3	1	1	6	3

LP 3035G1 PUMP EXPLODED VIEW

8.754-758.0 LP3535G1



TORQUE SPECS	
Item #	Ft.-lbs
15	65
16	55
24	8
37	10
38	10
45	10

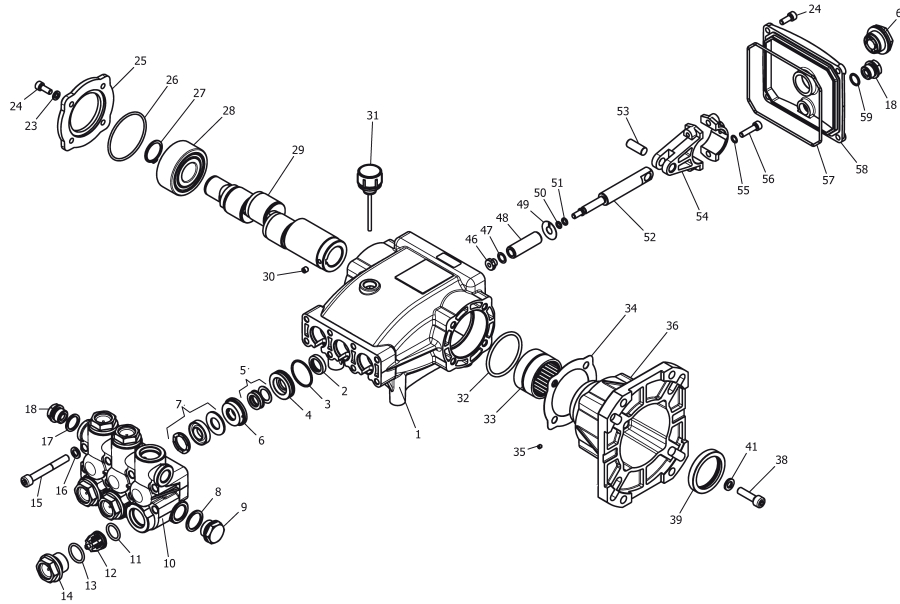
LP3535G1 PUMP PARTS LIST

ITEM	PART NO.	DESCRIPTION	QTY	ITEM	PART NO.	DESCRIPTION	QTY
1	8.751-216.0	Crankcase	1	28	9.802-914.0	Snap Ring, 25 mm	1
2	8.754-846.0	O-ring Ø1.78 X 72.75	3	29	9.803-955.0	Bearing, Ball	1
3*	See Kits Below	Plunger Oil Seal	3	30	8.754-828.0	Shaft, 1" Hollow	1
4*	See Kits Below	O-ring Ø1.78 X 26.7	3	31	8.754-219.0	Oil Dipstick	1
5*	See Kits Below	Washer, Pressure Ring	3	32	8.754-840.0	Bearing Needle	1
6*	See Kits Below	U-Seal, 14mm	3	33	8.754-826.0	Seal, Crankshaft	1
7*	See Kits Below	Pressure Ring, 14 mm	3	34	9.802-889.0	Washer	4
8	See Kits Below	U-Seal, 14mm	1	35	9.803-243.0	Screw	4
9	9.803-199.0	Washer, Copper G1/2	1	36	9.803-215.0	Washer 6 mm	4
10	9.802-926.0	Plug, Brass G1/2	1	37	9.803-244.0	Screw	4
11	8.754-853.0	Manifold	1	38	9.803-217.0	Washer	4
12*	8.717-233.0	O-ring Ø1.78 X 15.6	6	39	9.803-216.0	Washer	4
13*	See Kits Below	Valvel Assembly	6	40	8.752-824.0	Screw, M6 x 20	4
14*	9.803-948.0	O-ring Ø1.78 X 18.77	6	41	9.803-218.0	Washer, 6 mm	10
15	9.803-949.0	Valve Plug	6	42	8.754-864.0	Flange, Engine	1
16	8.754-854.0	Bolt, Manifold M14 x 40	2	43*	8.754-855.0	Bolt, Plunger	3
17	8.754-850.0	Washer, Lock	2	44*	8.754-092.0	Spacer, Copper	3
18	9.803-198.0	Washer, Copper G3/8	1	45*	8.754-849.0	Plunger, 14 mm	3
19	8.707-262.0	Plug, Brass G3/8	1	46*	9.803-962.0	Spacer, Copper	3
20*	See Kits Below	Valve Seat	6	47	8.754-827.0	Plunger Rod	3
21*	See Kits Below	Valve Plate	6	48	9.803-965.0	Connecting Rod Pin	3
22*	See Kits Below	Valve Spring	6	49	9.803-966.0	Connecting Rod	6
23*	See Kits Below	Valve cage	6	50	8.933-020.0	Screw, Connecting Rod	6
24	9.802-939.0	Screw, M6 X 16	12	51	8.754-847.0	O-ring Ø2.62 X 111.62	1
25	8.717-137.0	Bearing Cover	2	52	8.754-842.0	Cover, Crankcase	1
26	9.803-954.0	Bearing Seal	1	53	9.803-906.0	O-ring Ø1.78 X 14	1
27	8.754-843.0	Seal Spacer, Crankshaft	1	54	9.803-202.0	Sight Glass, G3/4	1

REPAIR KIT NUMBER	8.754-860.0	8.754-861.0	8.754-862.0	8.754-859.0	9.803-937.0
KIT DESCRIPTION	Plunger Seals 14 mm	Seal Packing 14 mm	Plunger 14 mm	Complete Valve	Plunger Oil Seals
ITEM NUMBERS INCLUDED	4, 6, 8	4, 5, 6, 7, 8	36, 37, 38, 39	12, 13, 14	3
NUMBER OF CYLINDERS KIT WILL SERVICE	3	1	1	6	3

LS 4040G PUMP EXPLODED VIEW

8.750-753.0 LS4040G



TORQUE SPECS	
Item #	Ft.-lbs
14	75
15	30
24	7.6
38	10
46	7
56	13

LS4040G PUMP PARTS LIST

ITEM	PART NO.	DESCRIPTION	QTY	ITEM	PART NO.	DESCRIPTION	QTY
1	8.751-217.0	Crankcase	1	33	9.803-161.0	Needle Roller Bearing	1
2	See Kit Below	Plunger Oil Seal	3	34	8.751-230.0	Gasket	1
3	See Kit Below	O-Ring 1.78 x 31.47	3	35	8.717-544.0	Screw, Set	1
4	See Kit Below	Pressure Ring	3	36	9.803-183.0	Engine Flange	1
5	See Kit Below	U-Seal, 15mm	3	38	9.803-240.0	Flange Screw	4
6	See Kit Below	Intermed, Ring 15mm	3	39	9.803-142.0	Crankshaft Seal	1
7	See Kit Below	U-seal, 15mm	3	41	9.803-221.0	Sprong Washer	4
8	9.803-199.0	Copper Washer 1/2"	1	46	See Below	Plunger Nut, M6	3
9	9.802-926.0	Brass Plug, 1/2"	1	47	See Below	Washer, coper, 9.2 x 13.5	3
10	8.751-218.0	Manifold Housing	1	48	See Below	Plunger, 15mm	3
11	9.803-191.0	O-Ring 2.62 x 17.13	1	49	See Below	Copper Spacer	3
12	See Kit Below	Valve Assembly	6	50	See Below	O-Ring 0.78 X 5.28	3
13	9.803-193.0	O-Ring 2.62 x 20.29	6	51	See Below	Teflon Ring	3
14	9.802-928.0	Valve Plug	6	52	8.751-225.0	Plunger Rod	3
15	9.802-938.0	Manifold Stud Bolt	8	53	8.751-228.0	Connecting Rod Pin	3
16	9.802-884.0	Washer	8	54	9.803-158.0	Connecting Rod	3
17	9.803-198.0	Copper Washer 3/8"	1	55	5.803-218.0	Spring Washer	6
18	9.802-925.0	Brass Plug 3/8"	2	56	9.803-238.0	Connecting Rod Screw	6
23	9.803-210.0	Washer, M6 x 16	4	57	8.933-016.0	O-Ring 2.62 x 126.67	1
24	9.802-939.0	Hexagonal Screw	9	58	8.751-229.0	Crankcase Cover	1
25	9.803-184.0	Closed Bearing Housing	1	59	9.803-197.0	O-Ring, 1.78 X 14	1
26	8.717-225.0	O-Ring 2.62 x 61.6	1	60	9.803-202.0	Sight Glass, G 3/4	1
27	9.802-914.0	Snap Ring	1	* Part available in Kit			
28	9.803-168.0	Double Row Ball Bearing	1				
29	9.803-152.0	Crankshaft	1				
30	9.802-945.0	Set Screw	1				
31	9.802-921.0	Oil Dip Stick	1				
32	9.804-581.0	O-Ring 3.53 x 55.56	1				

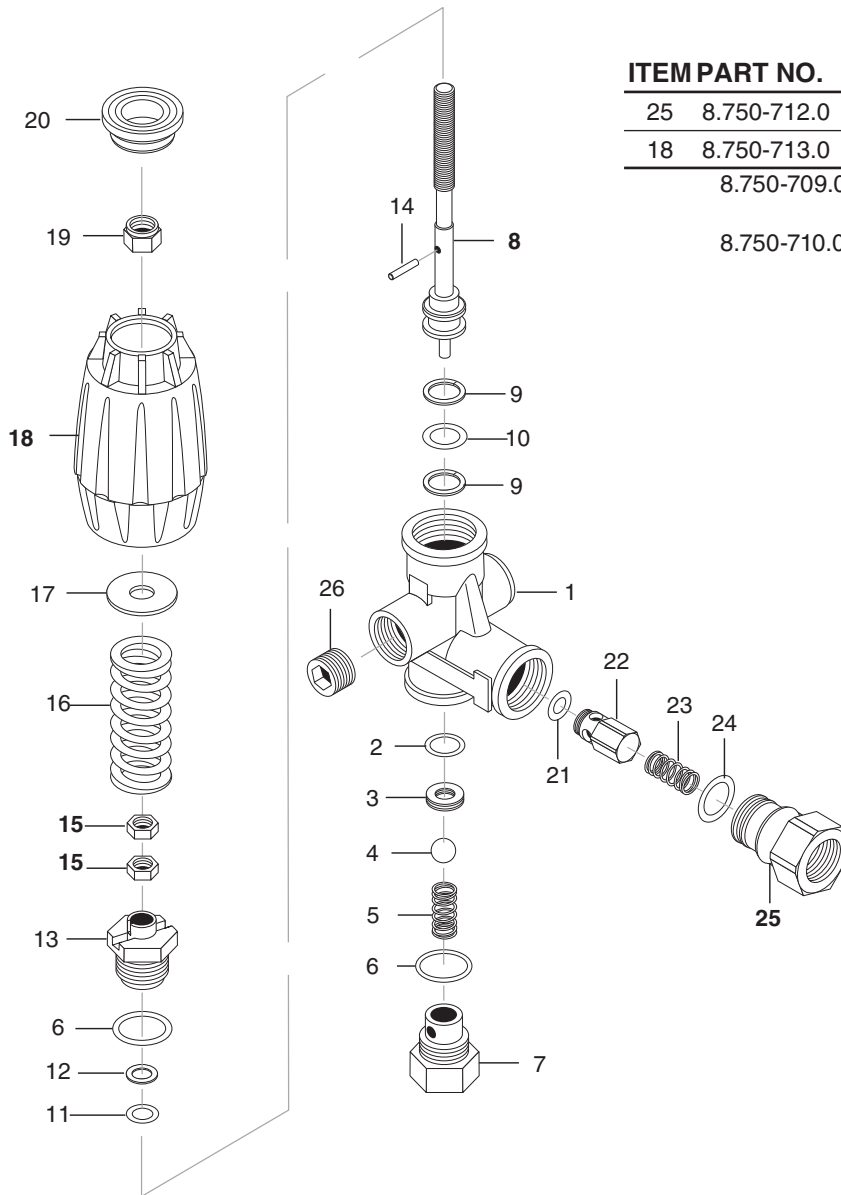
REPAIR KIT NUMBER	8.725-358.0	8.725-359.0	8.933-023.0	9.802-603.0	9.802-609.0
KIT DESCRIPTION	Plunger U-Seal 15 mm	Complete U-Seal Packing 15 mm	Plunger 15 mm	Complete Valve	Plunger Oil Seals
ITEM NUMBERS INCLUDED	3, 5, 7	3, 4, 5, 6, 7	46, 47, 48, 49, 50, 51	11, 12, 13	2
NUMBER OF CYLINDERS KIT WILL SERVICE	3	1	1	6	3

VRT3 UNLOADER EXPLODED VIEW AND PART S LIST

8.750-297.0, 8 GPM, 2320 PSI

8.750-298.0, 8 GPM, 3630 PSI

8.750-299.0, 8 GPM, 4500 PSI



ITEM	PART NO.	DESCRIPTION	QTY
25	8.750-712.0	Outlet Fitting	1
18	8.750-713.0	Knob, Unloader	1
	8.750-709.0	Repair Kit, VRT3, 2320/3630 PSI	
	8.750-710.0	Repair Kit, VRT3, 4500 PSI (Kit Items: 1, 4, 8-12, 16, 21-22)	

Unloader Adjustment Procedures

1. Remove lock nut (Item 19).
2. Remove adjustment knob (Item 18).
3. Loosen the two (2) nuts (Item 15), move them upward on stem (Item 8) until you see 4 or more threads below the nut.
4. Re-attach adjusting knob (Item 18).
5. Start machine. Open the trigger of the spray gun. Increase pressure by turning adjustment knob (Item 18) clockwise until pressure is at the desired operating pressure.
6. Remove the adjustment knob (Item 18), tighten the lower nut (Item 15) tightly against the upper nut (Item 15). Reattach adjustment knob (Item 18) and screw down until contact is made with the nuts (Items 15). Screw down lock nut (Item 19) onto the stem (Item 8) until the threads cut into the nylon insert of the lock nut (Item 19).

*If adjustment knob (Item 18) DOES NOT make contact with upper nut (Items 15), remove adjusting knob (Item 18), re-adjust (raise) nuts (Items 15) on stem (Item 8) and re-attach adjustment knob (Item 18), then repeat step #6.

**If adjustment knob (Item 18) DOES make contact with upper nut; release the trigger of the spray gun and watch the pressure gauge for the pressure increase ("spike"). This "spike" SHOULD NOT exceed 500 psi above the operating pressure. If "spike" pressure exceeds the 500 psi limit, remove the adjusting knob (Item 18) and re-adjust (lower) the nuts (Items 15) on the stem (Item 8).

Re-attach the adjusting knob (Item 18), then repeat step #6.