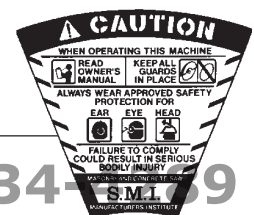


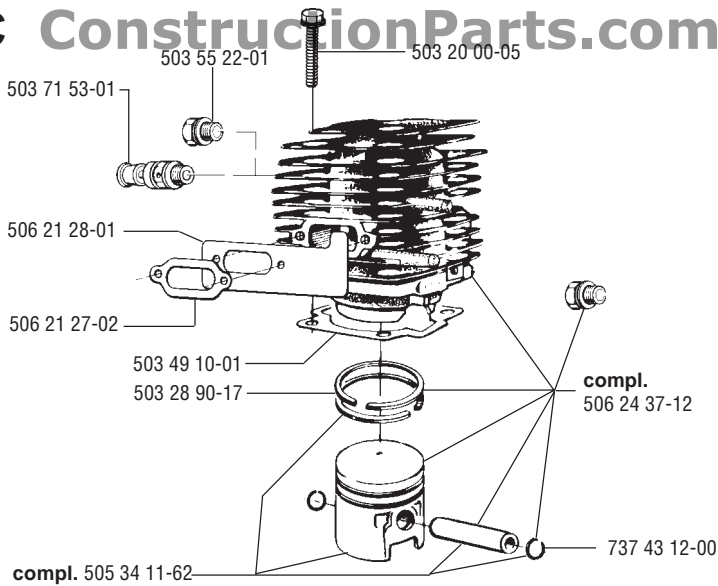
- 506 02 98-01
- 506 02 95-01
- 503 23 00-05
- 506 02 96-01
- 506 21 21-01
- 735 31 09-20

- Ø 20 506 03 95-20
- Ø 22,2 506 03 95-22
- Ø 25,4 506 03 95-25
- Ø 30,5 506 02 88-30

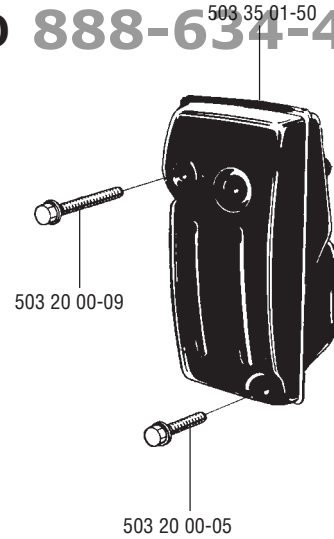
● Maskinen får ej användas innan skylt med rätt spindelvarvtal monterats.
 ● The machine must not be used before the label is mounted stating correct spindle speed.
 ● Dieses Gerät darf erst nach montage des Typschildes mit Spindel-drehzahl-Angabe benutzt werden.
 ● La machine ne devra être mise en service qu'après installation préalable d'une plaque indiquant la valeur correcte pour la vitesse de rotation de la broche.



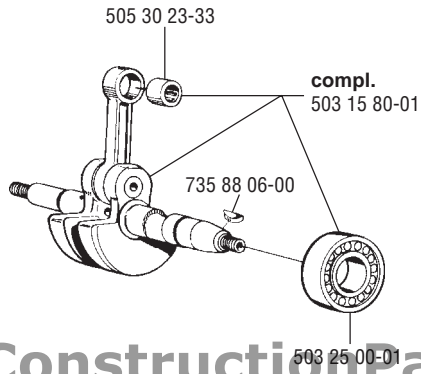
C ConstructionParts.com



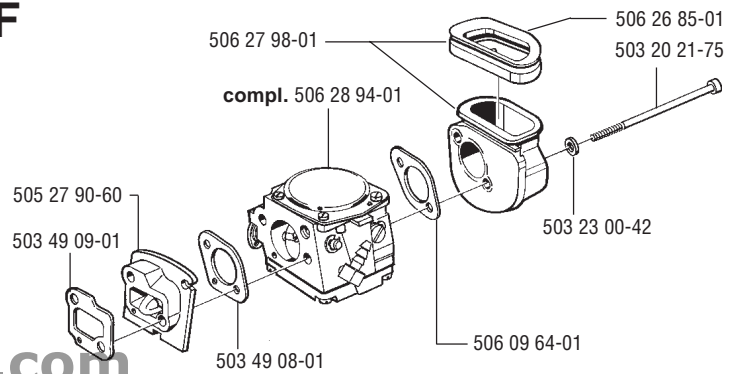
D 888-634-4289



E

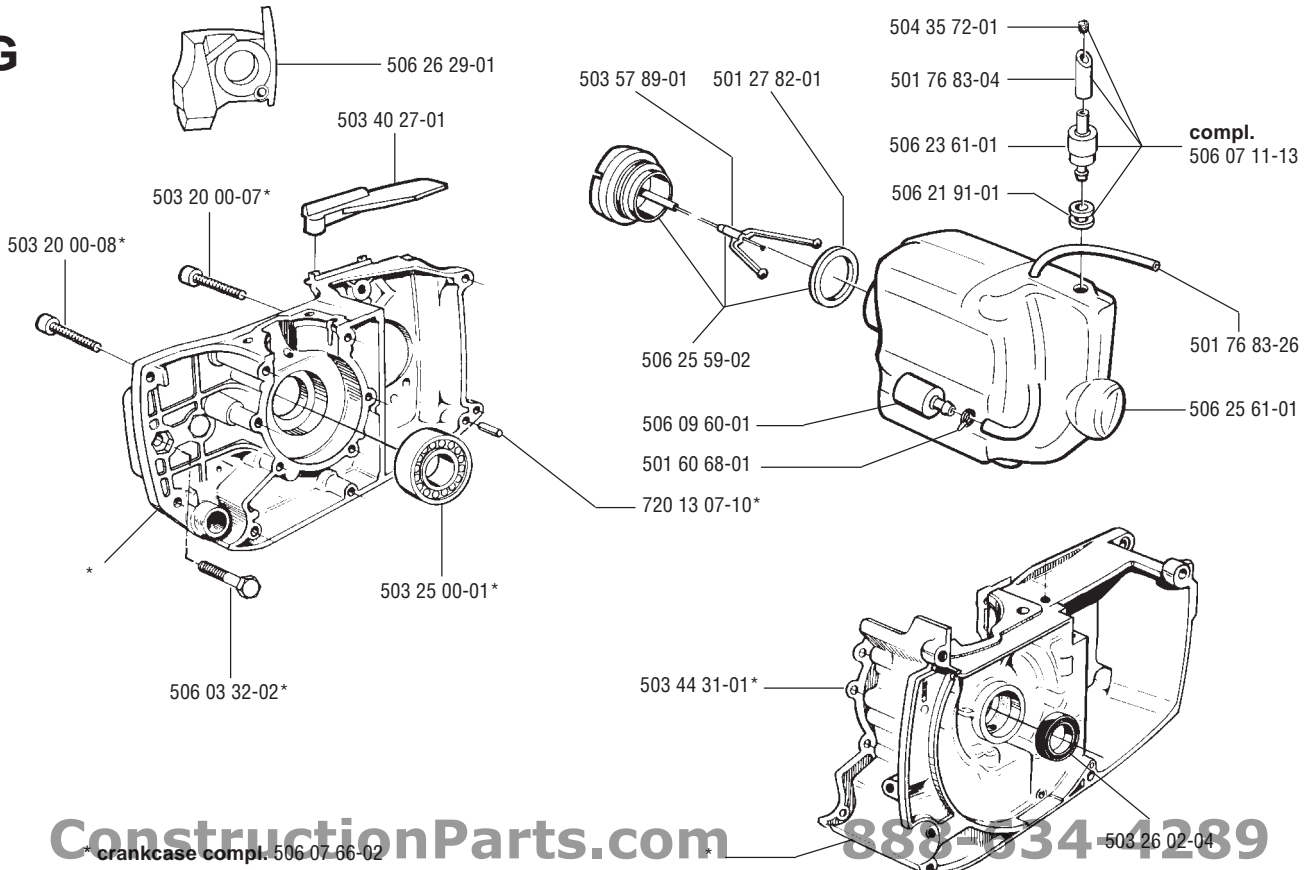


F



ConstructionParts.com

G

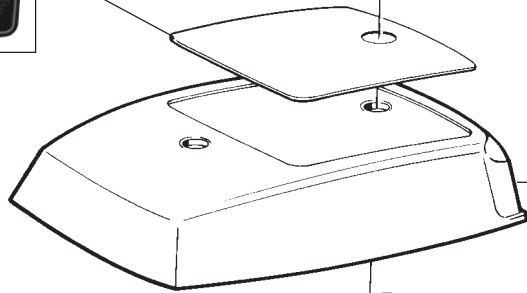


ConstructionParts.com

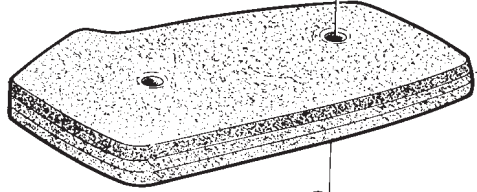
888-634-4289



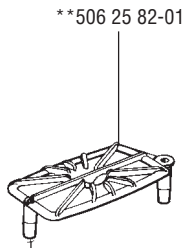
503 20 34-42



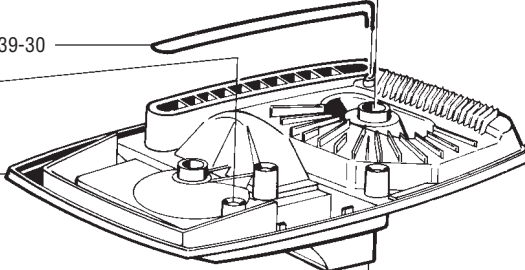
506 21 79-01



506 22 63-01



**506 25 82-01



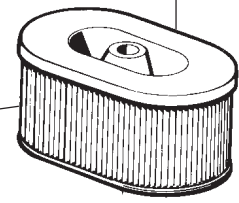
**506 28 39-30

**compl. 506 21 78-12

503 20 02-90



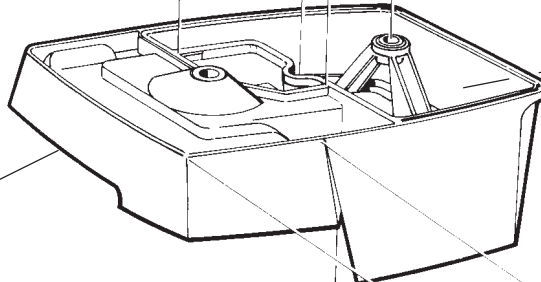
compl. 506 22 42-01



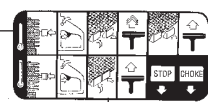
ConstructionParts.com



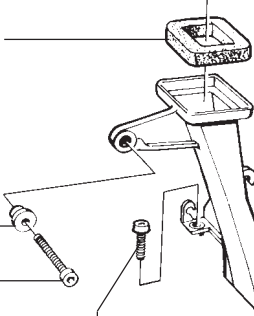
*506 28 39-30



*compl. 506 21 77-14



506 23 93-01*



506 23 53-04

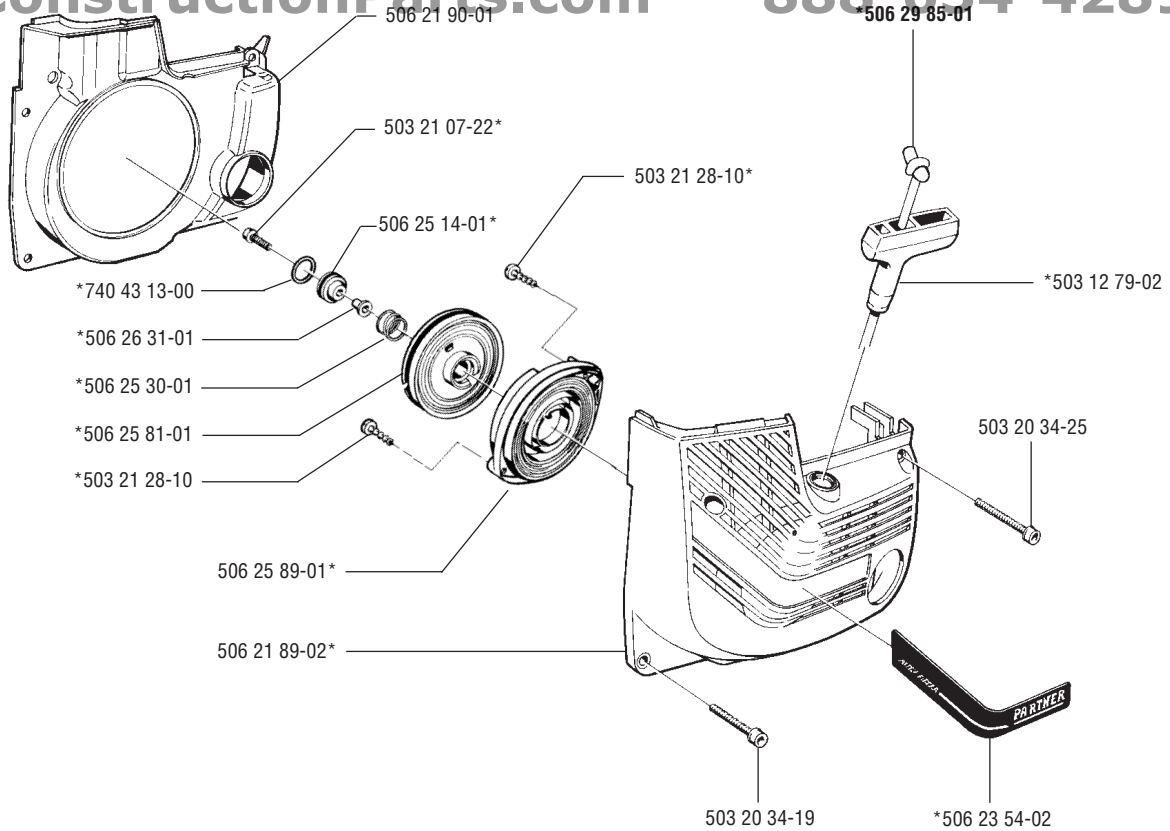
506 22 23-01

506 22 24-01

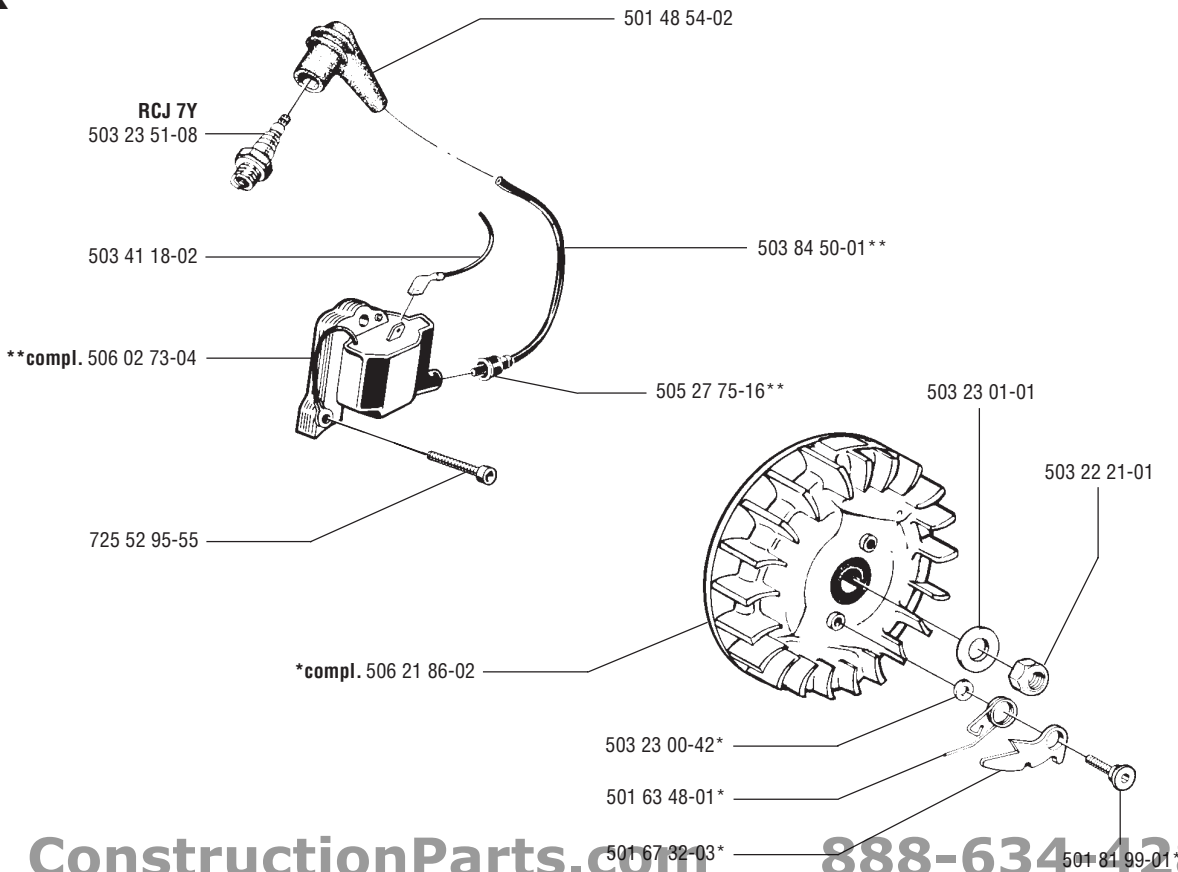
725 52 95-55

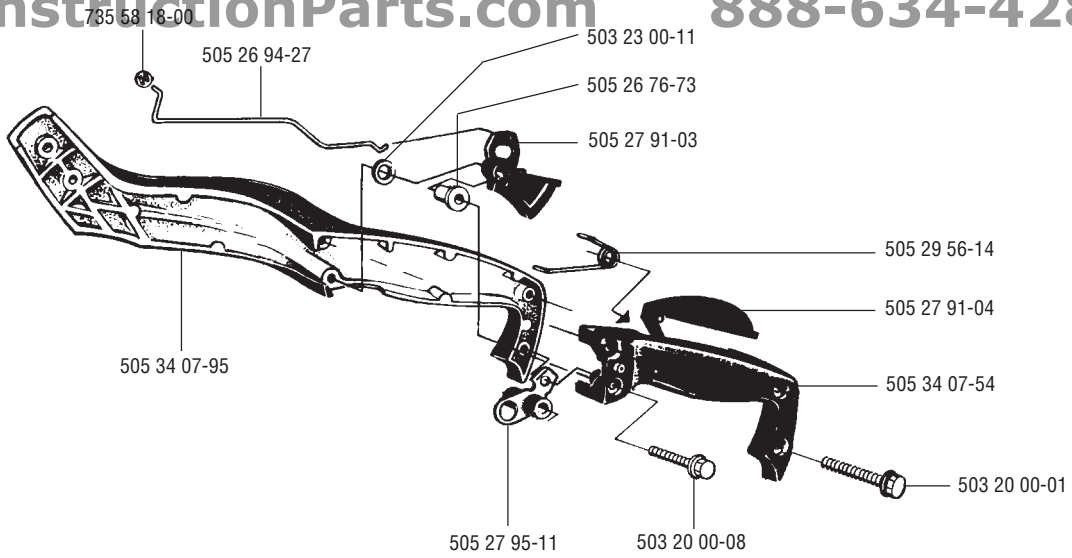
506 21 98-01

503 20 00-03

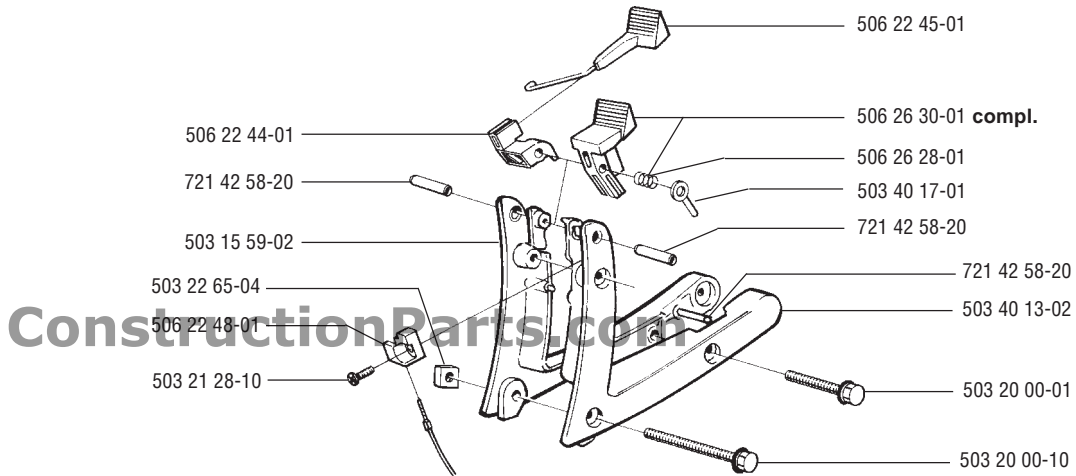


*compl. 506 25 95-01

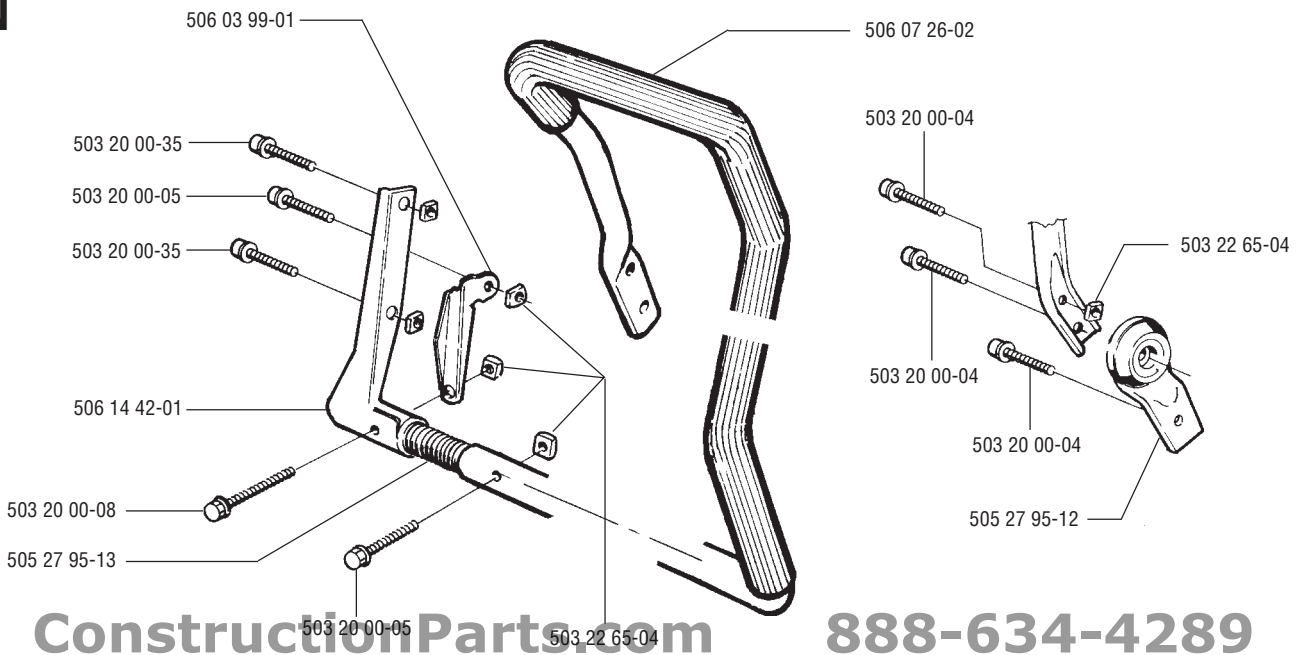




M



N



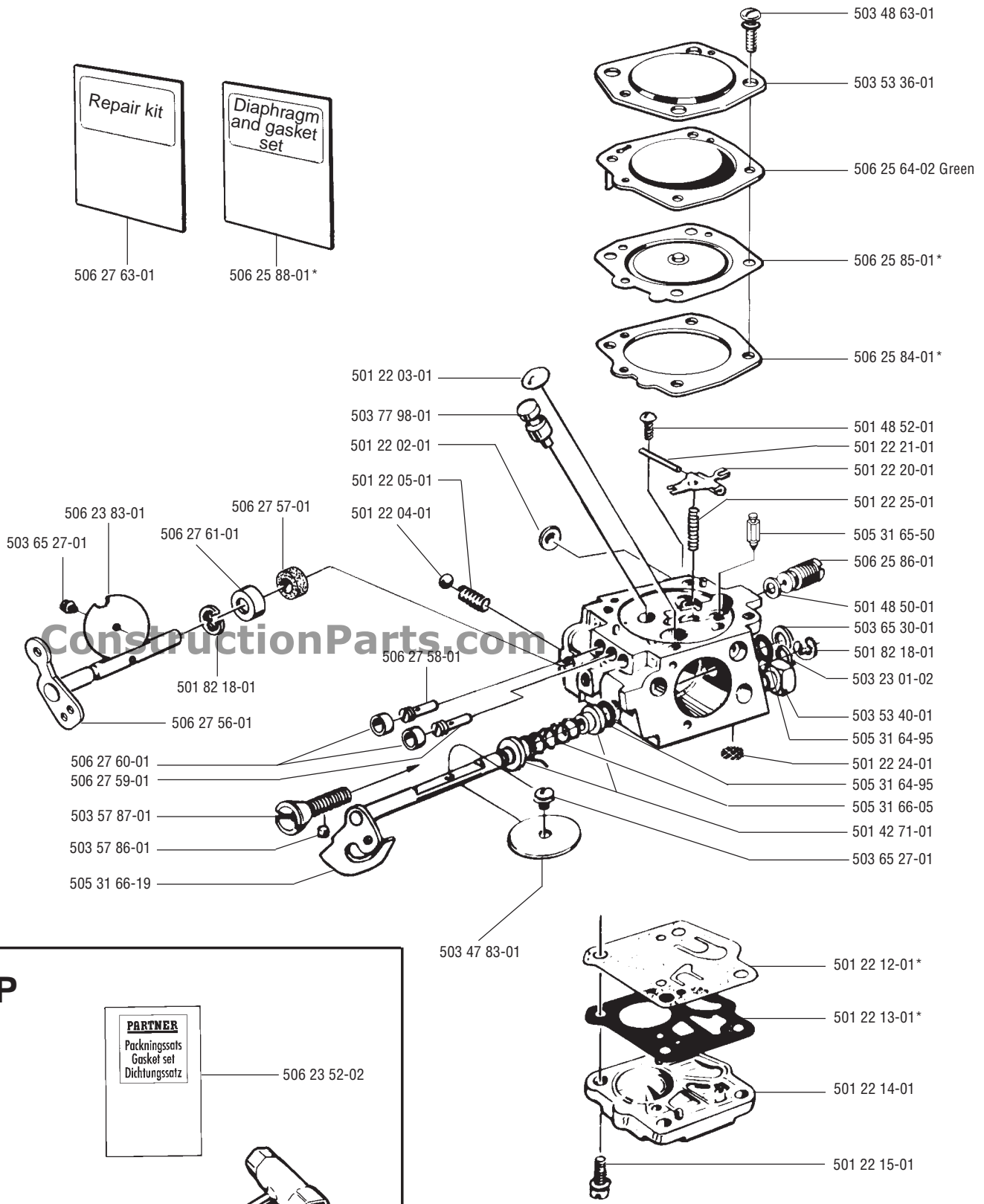
Compl. 506 28 94-01
Tillotson HS 175H



506 27 63-01



506 25 88-01*

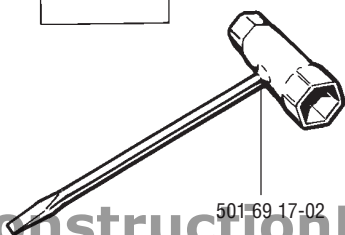


P



PARTNER
Packingsatz
Gasket set
Dichtungssatz

506 23 52-02



501 69 17-02

| No. | Pos. | Denomination | No. | Pos. | Denomination | No. | Pos. | Denomination |
|--------------|-------|----------------------|--------------|------|-------------------|---------------------|------|--------------------------|
| 501 22 02-01 | O | Plug | 503 55 22-01 | C | Plug | 506 21 27-02 | C | Gasket |
| 501 22 03-01 | O | Plug | 503 57 86-01 | O | Ball | 506 21 28-01 | C | Deflector |
| 501 22 04-01 | O | Ball | 503 57 87-01 | O | Screw | 506 21 77-14 | H | Cylinder cover |
| 501 22 05-01 | O | Spring | 503 57 89-01 | G | Holder | 506 21 78-12 | H | Filter holder |
| 501 22 12-01 | O | Fuel pump diaphragm | 503 65 27-01 | O | Screw | 506 21 79-01 | H | Filter cover |
| 501 22 13-01 | O | Gasket, pump side | 503 65 30-01 | O | Washer | 506 21 86-02 | K | Flywheel compl. |
| 501 22 14-01 | O | Cap | 503 71 53-01 | C | Valve decompr. | 506 21 89-02 | J | Starter housing |
| 501 22 15-01 | O | Screw | 503 77 98-01 | O | Valve | 506 21 90-01 | J | Air conductor |
| 501 22 20-01 | O | Lever | 503 84 50-01 | K | Cable | 506 21 91-01 | G | Grommet |
| 501 22 21-01 | O | Shaft | | | | 506 21 95-01 | A | Spring |
| 501 22 24-01 | O | Filter | 504 35 72-01 | G | Fuel filter | 506 21 98-01 | H | Air jet |
| 501 22 25-01 | O | Spring | | | | 506 22 23-01 | H | Sealing |
| 501 27 82-01 | G | Washer | 505 26 76-73 | L | Spacer | 506 22 24-01 | H | Sealing |
| 501 42 71-01 | O | Bushing | 505 26 83-03 | B | Cover | 506 22 42-01 | H | Air filter |
| 501 48 50-01 | O | Gasket | 505 26 94-27 | L | Throttle rod | 506 22 44-01 | M | Guide |
| 501 48 52-01 | O | Screw | 505 27 57-15 | B | Seal ring | 506 22 45-01 | M | Choke control |
| 501 48 54-02 | K | Spark plug conn. kit | 505 27 75-16 | K | Insulating cap | 506 22 48-01 | M | Holder |
| 501 60 68-01 | G | Clamp | 505 27 90-60 | F | Insul. flange | 506 22 63-01 | H | Filter |
| 501 63 48-01 | K | Spring | 505 27 91-03 | L | Throttle control | 506 23 52-02 | P | Gasket set |
| 501 67 32-03 | K | Pawl | 505 27 91-04 | L | Throttle catch | 506 23 53-04 | H | Decal |
| 501 69 17-02 | P | Comb. tool | 505 27 95-11 | L | Absorber | 506 23 54-02 | J | Decal |
| 501 76 83-04 | G | Hose | 505 27 95-12 | N | Absorber | 506 23 61-01 | G | Tank vent. |
| 501 76 83-26 | G | Hose, 245 mm | 505 27 95-13 | N | Absorber | 506 23 83-01 | O | Choke flap |
| 501 81 99-01 | K | Screw M5x14 | 505 29 56-14 | L | Spring | 506 23 93-01 | H | Decal |
| 501 82 18-01 | O | Retaining ring | 505 30 23-33 | E | Needle bearing | 506 24 37-12 | C | Cylinder cpl. |
| | | | 505 30 24-15 | B | Needle bearing | 506 25 14-01 | J | Washer |
| 503 12 79-02 | J | Starter handle | 505 30 32-37 | B | Clutch | 506 25 30-01 | J | Spring |
| 503 15 59-02 | M | Bracket right | 505 30 32-47 | B | Centrif. weight | 506 25 59-02 | G | Tank cap |
| 503 15 80-01 | E | Crankshaft | 505 31 64-95 | O | Sealing ring | 506 25 61-01 | G | Tank unit |
| 503 20 00-01 | L,M | Screw M6SF 5x20 | 505 31 65-50 | O | Needle | 506 25 64-02 | O | Insert |
| 503 20 00-03 | H | Screw M6SF 5x12 | 505 31 66-05 | O | Spring | 506 25 81-01 | J | Starter pulley |
| 503 20 00-04 | A,N | Screw M6SF 5x16 | 505 31 66-19 | O | Throttle shaft | 506 25 82-01 | H | Guard |
| 503 20 00-05 | C,D,N | Screw M6SF 5x25 | 505 34 07-54 | L | Handle, left half | 506 25 84-01 | O | Gasket |
| 503 20 00-07 | G | Screw M6SF 5x40 | 505 34 07-95 | L | Handle, right | 506 25 85-01 | O | Diaphragm |
| 503 20 00-08 | G,L,N | Screw M6SF 5x30 | 505 34 11-62 | C | Piston cpl 50 mm | 506 25 86-01 | O | Governor |
| 503 20 00-09 | D | Screw M6SF 5x45 | 505 35 01-50 | D | Silencer | 506 25 88-01 | O | Diaphragm and gasket set |
| 503 20 00-10 | M | Screw M6SF 5x55 | 505 39 75-13 | A | Information label | 506 25 89-01 | J | Return spring |
| 503 20 00-12 | B | Screw M6SF 5x70 | 505 39 75-88 | B | Decal | 506 25 95-01 | J | Starter device |
| 503 20 00-35 | N | Screw | | | | 506 26 00-02 | A | Guard |
| 503 20 00-45 | A | Screw | 506 02 73-04 | K | Ignition module | 506 26 28-01 | M | Spring |
| 503 20 02-90 | H | Screw | 506 02 84-01 | A | Washer | 506 26 29-01 | G | Protector |
| 503 20 21-75 | F | Screw | 506 02 85-63 | A | Shaft | 506 26 30-01 | M | Knob |
| 503 20 30-09 | A | Screw | 506 02 86-01 | A | Spacer | 506 26 31-01 | J | Sleeve |
| 503 20 34-19 | J | Screw | 506 02 87-01 | A | Washer | 506 26 85-01 | F | Rubber seal |
| 503 20 34-25 | J | Screw | 506 02 88-30 | A | Bushing | 506 27 56-01 | O | Choke shaft |
| 503 20 34-42 | H | Screw | 506 02 91-02 | A | Bearing housing | 506 27 57-01 | O | Felt seal |
| 503 21 07-22 | J | Screw | 506 02 92-01 | A | Guard | 506 27 58-01 | O | Fixed jet H |
| 503 21 28-10 | J,M | Screw | 506 02 95-01 | A | Hose | 506 27 59-01 | O | Fixed jet L |
| 503 22 00-01 | A,B | Nut M6MF M5 | 506 02 96-01 | A | Spring | 506 27 60-01 | O | Plug |
| 503 22 21-01 | K | Lock nut M8x1 | 506 02 98-01 | A | Control knob | 507 27 61-01 | O | Cup |
| 503 22 65-04 | M,N | Nut | 506 03 00-01 | A | Pulley | 506 27 63-01 | O | Repair kit |
| 503 22 66-01 | A | Nut | 506 03 06-02 | A | Adjuster | 506 27 67-41 | A | Belt |
| 503 23 00-05 | A | Washer 6.5x11 | 506 03 32-02 | A,G | Screw | 506 27 84-01 | H | Decal EPA |
| 503 23 00-11 | L | Washer 5.3x12 | 506 03 45-01 | A | Washer | 506 27 98-01 | F | Air horn with seal |
| 503 23 00-42 | F,K | Washer | 506 03 62-01 | A | Spacer | 506 28 39-30 | H | Sealing |
| 503 23 01-01 | K | Washer 8.4x16 | 506 03 62-02 | A | Spacer | 506 28 94-01 | F,O | Carburettor |
| 503 23 01-02 | O | Washer 5.25x9 | 506 03 62-04 | A | Spacer | 506 29 85-01 | J | Starter rope |
| 503 23 01-04 | A | Washer 15x21 | 506 03 88-01 | A | Warning label | | | |
| 503 23 01-11 | B | Washer | 506 03 95-20 | A | Bushing | 720 13 07-10 | G | Pin |
| 503 23 51-08 | K | Spark plug RCJ7Y | 506 03 95-22 | A | Bushing | 721 42 58-20 | M | Spring pin 4x24 |
| 503 25 00-01 | E,G | Ball bearing MFG SKF | 506 03 95-25 | A | Bushing | 725 52 95-55 | H,K | Screw MC6S 4x20 |
| 503 25 21-01 | A | Ball bearing 6202 | 506 03 99-01 | N | Support | 725 53 27-55 | A | Screw MC6S 5x12 |
| 503 26 02-04 | G | Sealing ring | 506 07 07-01 | A | Flange, support | 735 31 09-20 | A | E-ring 5 |
| 503 28 90-17 | C | Piston ring | 506 07 11-13 | G | Hose | 735 58 18-00 | L | Lock washer 2.4 |
| 503 40 13-02 | M | Bracket left | 506 07 25-01 | B | Cutting arm | 735 88 06-00 | E | Woodruff key |
| 503 40 17-01 | M | Contact spring | 506 07 26-02 | N | Handle | 737 43 12-00 | C | Retaining ring |
| 503 40 27-01 | G | Spacer | 506 07 37-01 | B | Drive wheel | 738 22 02-29 | A | Ball bearing 6202-2RS1 |
| 503 41 18-02 | K | Cable | 506 07 66-02 | G | Crankcase cpl | 740 43 13-00 | J | O-ring |
| 503 44 31-01 | G | Gasket | 506 09 60-01 | G | Filter | | | |
| 503 47 83-01 | O | Shutter | 506 09 64-01 | F | Gasket | | | |
| 503 48 63-01 | O | Cover screw | 506 13 95-01 | A | Washer | | | |
| 503 49 08-01 | F | Gasket | 506 13 96-01 | A | Screw | | | |
| 503 49 09-01 | F | Gasket | 506 14 32-01 | A | Catch | | | |
| 503 49 10-01 | C | Gasket | 506 14 42-01 | N | Support | | | |
| 503 53 36-01 | O | Cover | 506 21 21-01 | A | Washer | | | |
| 503 53 40-01 | O | Nipple | 506 21 23-01 | H | Gasket | | | |

