

PARTS MANUAL



***WHITEMAN* SERIES**
MODEL HHN-34TVD
RIDE-ON POWER TROWEL
(B & S VANGUARD DIESEL ENGINE)

Revision #10 (01/22/20)

To find the latest revision of this
publication, visit our website at:
www.multiquip.com

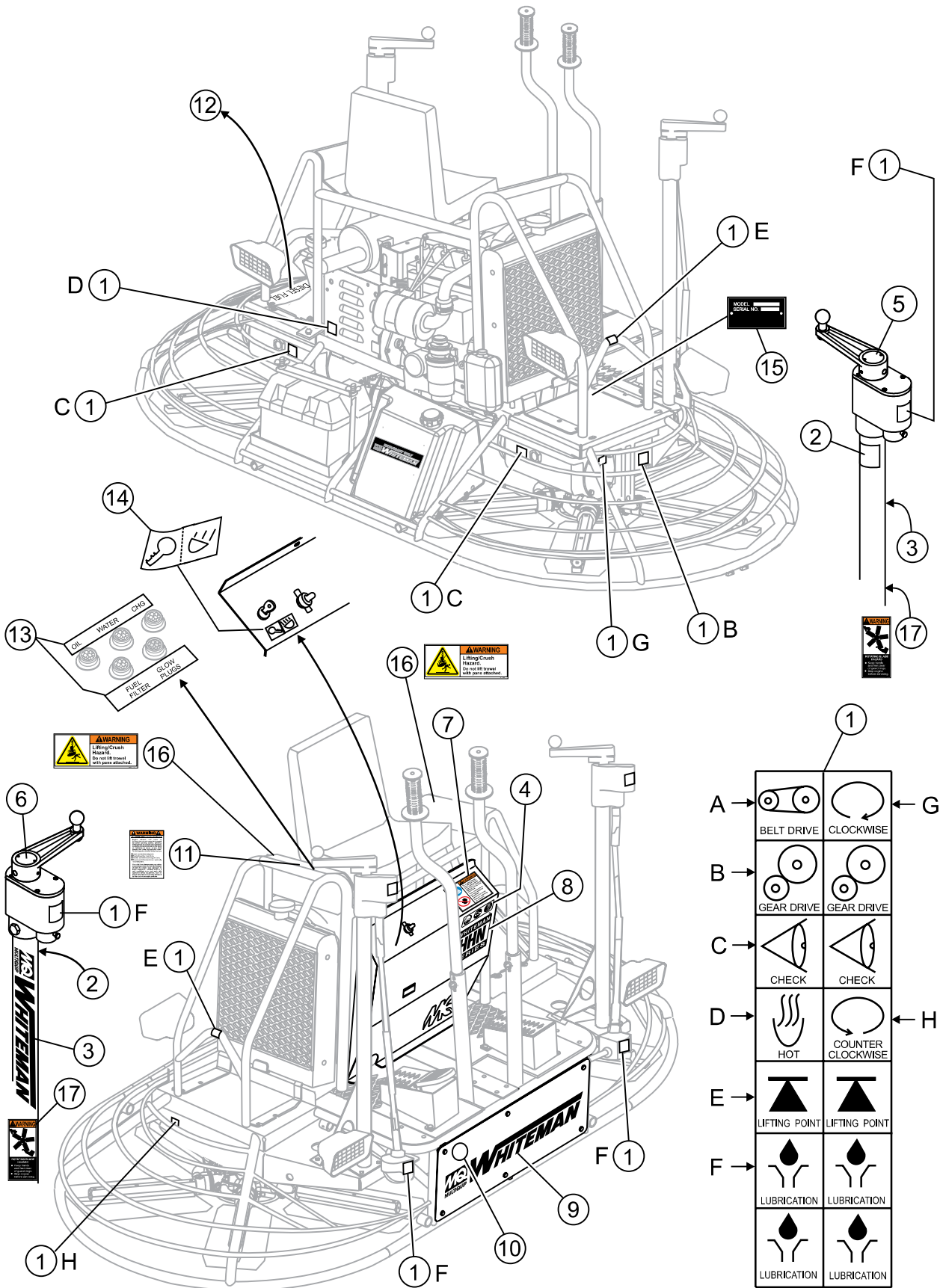


THIS MANUAL MUST ACCOMPANY THE EQUIPMENT AT ALL TIMES.

P/N 21730

HHN 34TVD — NAME PLATE AND DECALS

NAME PLATE AND DECALS



HHN 34TVD — NAME PLATE AND DECALS

NAMEPLATE AND DECALS

<u>NO.</u>	<u>PART NO.</u>	<u>PART NAME</u>	<u>QTY.</u>	<u>REMARKS</u>
1	11246	DECAL SET, INTERNATIONAL STDS	1.....	SAFETY ITEM
2	2634	DECAL, SPRING SAFETY	2.....	SAFETY ITEM
3	1499	DECAL, MQ-WHITEMAN RED/TOWER	2	
4	36099	DECAL, SAFETY CLOTHING ISO BLUE	1.....	REPLACES 11247 SAFETY ITEM
5	2332	DECAL, AL PITCH LH	1	
6	2300	DECAL, AL PITCH RH	1	
7	35137	DECAL, READ OPERATOR'S MANUAL	1.....	SAFETY ITEM
8	20926	DECAL, HHN SERIES	1	
9	10818	DECAL, MQ-WHITEMAN 24 X 3	1	
10	13118	DECAL, POWDER COATED	1	
11	20525	DECAL, PROP 65.....	1.....	SAFETY ITEM
12	11811	DECAL, DIESEL FUEL	1	
13	21517	DECAL, INSTRUMENT LIGHT 5 LABEL	1	
14	2814	DECAL, CONTROL PANEL	1	
15		SERIAL PLATE	1.....	CONTACT PARTS DEPT.
16	21455	DECAL, PAN LIFT WARNING.....	2.....	SAFETY ITEM
17	35168	DECAL, BLADE WARNING	2.....	SAFETY ITEM

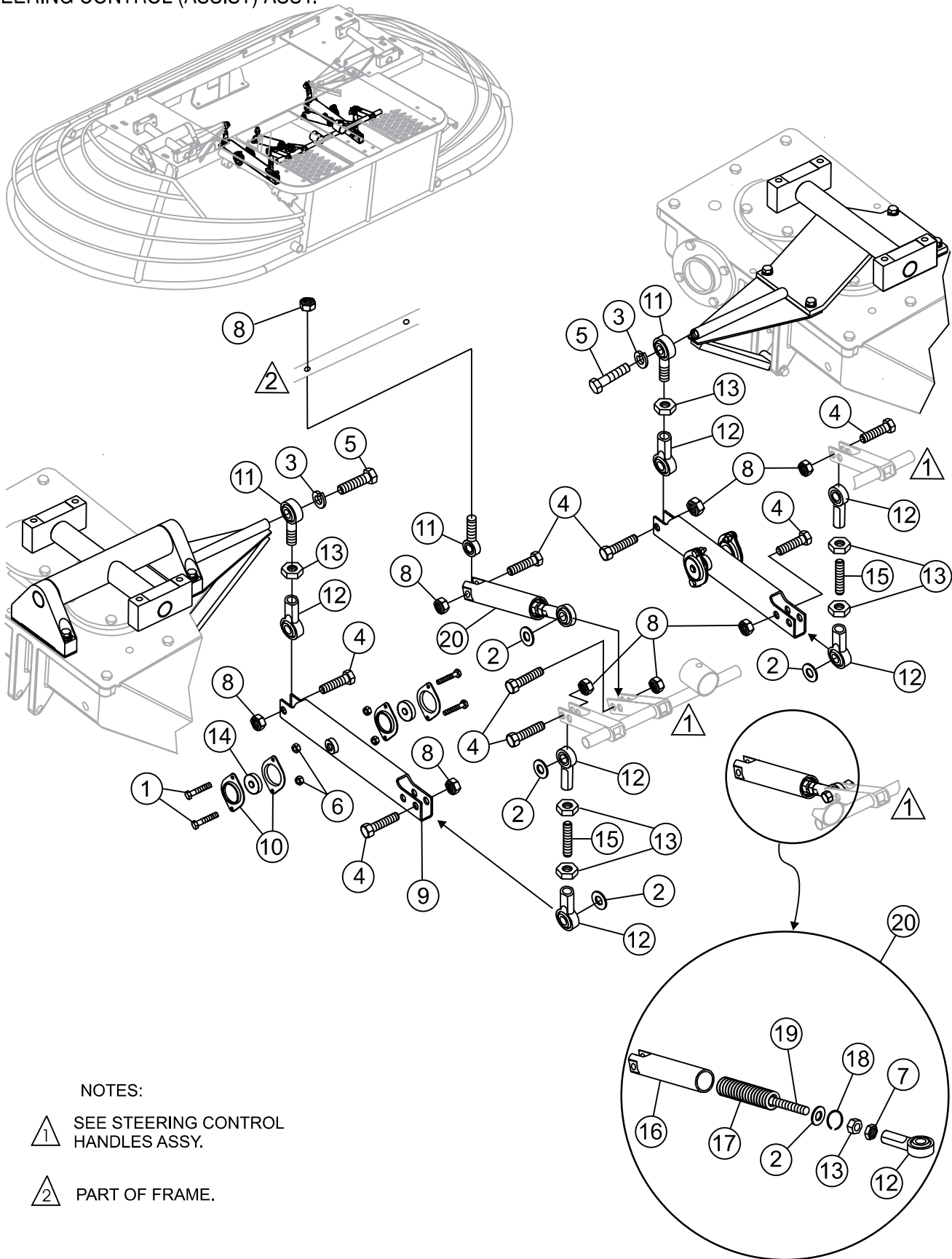
HHN 34TVD — STEERING CONTROL HANDLES ASSY.

STEERING CONTROL HANDLES ASSY.

<u>NO.</u>	<u>PART NO.</u>	<u>PART NAME</u>	<u>QTY.</u>	<u>REMARKS</u>
1	0131 A	SCREW, HHC 1/4-20 X 3/4	4	
2	0447	WASHER, FLAT, 1/2 SAE	3	
3	0735	BEARING, CONE, TIMKEN #A6075	4	
4	0735 A	BEARING, CUP, TIMKEN #A6157	4	
5	1023	SCREW, HHC 3/8-16 X 1-1/4	8	
6	2197	NUT, ACORN 1/4-20	2	
7	2219	PIN, COTTER 1/8 X 1 1/2	2	
8	2267	GRIP HANDLE, LEFT-RIGHT	2	
9	5277	SCREW, HHC 1/4-20 X 1 1/2	2	
10	EM 963105	SCREW, HHC 1/2-13 X 2	2	REPLACES 6159A
11	8151	WASHER, FLAT, 3/4 SAE	4	
12	10024	NUT, NYLOC 1/4-20	4	
13	10133	NUT, NYLOC 3/8-16	8	
14	10136	WASHER, FLAT, 3/8 SAE	16	
15	10176	NUT, NYLOC 1/2-13	4	
16	11138	BEARING, P-BLOCK HOUSING 47MPB	4	
17	11139	HOUSING SET, BEARING FLANGE 40M-2	6	
18	11141	SPACER, ROD END	6	
19	11142	ROD END, 1/2-20 MALE RH	3	
20	11143	ROD END, 1/2-20 FEMALE RH	3	
21	11144	SCREW, SHC 1/2-20 X 2 PLTD	1	
22	11145	SCREW, SHC 1/2-20 X 3 PLTD	1	
23	11146	NUT, HEX JAM 1/2-20	5	
24	11149	BEARING, SB-204-12	4	
25	11150	BEARING, SB-201-B	6	
26	11172	ROD, L/R MOTION CONTROL	1	
27	11173	THREADPIECE, 1/2-20 X 2 PLTD	1	
28	11177	HANDLE TUBE, UPPER	2	
29	12193	LEVER, L/R MOTION	1	
30	12903	STEERING CONTROL W/A LS ASSIST	1	
31	12904	STEERING CONTROL W/A RS ASSIST	1	
32	12425	HANDLE , LOWER W/A	2	
33	12426	NUT, SLOTTED 3/4-16 PLATED	2	

HHN 34TVD — STEERING CONTROL (ASSIST) ASSY.

STEERING CONTROL (ASSIST) ASSY.



NOTES:

▲ SEE STEERING CONTROL HANDLES ASSY.

▲ PART OF FRAME.

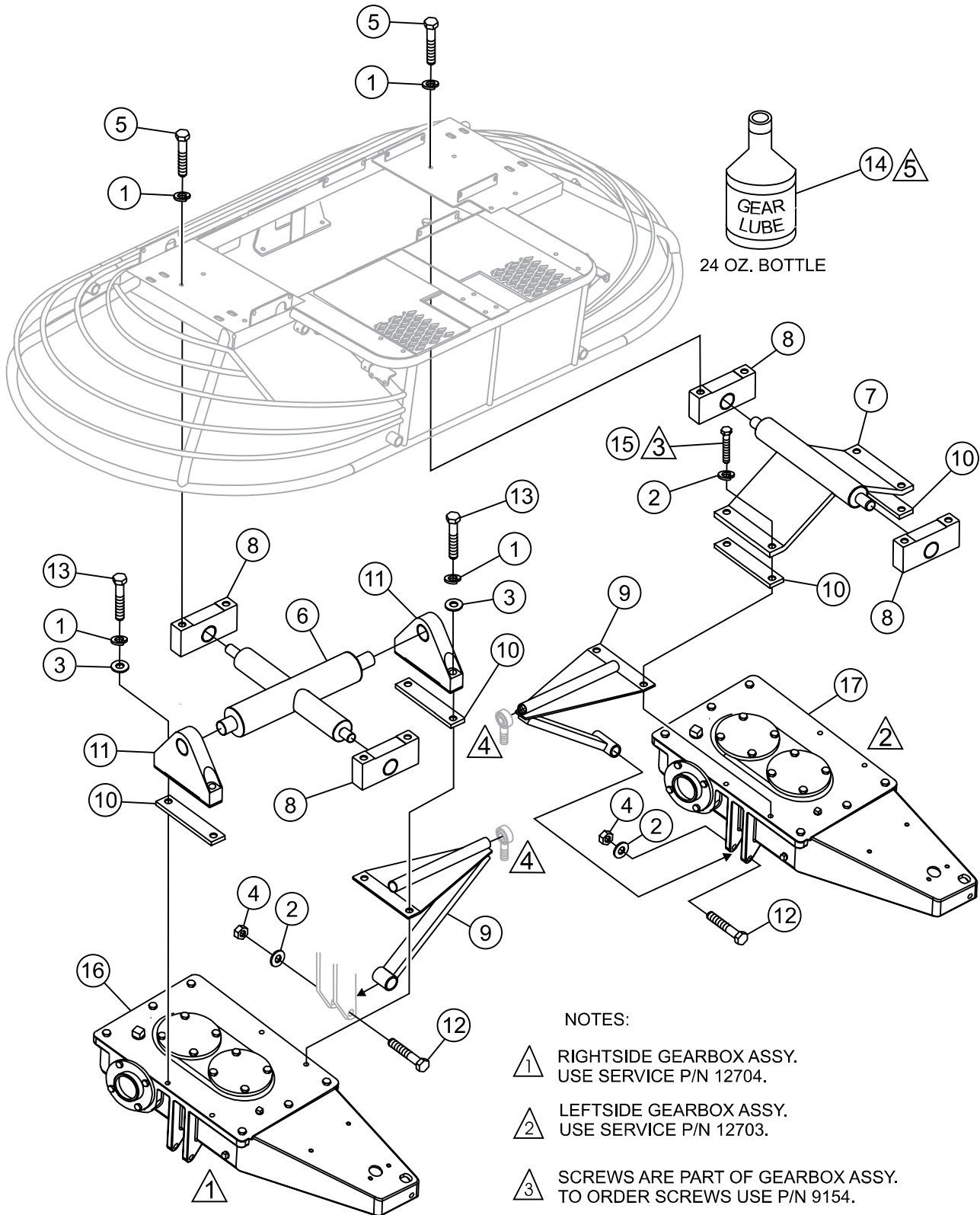
HHN 34TVD — STEERING CONTROL (ASSIST) ASSY.

STEERING CONTROL (ASSIST) ASSY.

<u>NO.</u>	<u>PART NO.</u>	<u>PART NAME</u>	<u>QTY.</u>	<u>REMARKS</u>
1	0131 A	SCREW, HHC 1/4-20 X 3/4	12	
2	0447	WASHER, FLAT, 1/2 SAE	12	
3	5054 A	WASHER, LOCK, 1/2 MED.	2	
4	EM 963105	SCREW, HHC 1/2-13 X 2	13.....	REPLACES 6159A
5	8136	SCREW, HHC 1/2-20 X 1.1/2"	2	
6	10024	NUT, NYLOC 1/4-20	16	
7	10087	NUT, NYLOC 1/2-20 THIN	2	
8	10176	NUT, NYLOC 1/2-13	13	
9	11127	LEVER, STEERING CONTROL W/A	2	
10	11139	BEARING, FLANGE HOUSING 40M-2	6	
11	11142	ROD END, 1/2-20 MALE RH	9	
12	11143	ROD END, 1/2-20 FEMALE RH	7	
13	11146	NUT, HEX JAM 1/2-20	11	
14	11150	BEARING, SB-201-8	6	
15	11173	THREADPIECE, STEERING LEVERS	2	
16	12195	HOUSING, STEERING ASSIST SPRING	2	
17	12196	SPRING, STEERING ASSIST	2	
18	12197	RING, RETAINING	2	
19	12198	SCREW, HHC 1/2-20 X 7 TAP GR5	2	
20	12200	ASSIST ASSY., STEERING	2	

HHN 34TVD — GEAR BOX/PIVOT ASSY.

GEAR BOX/PIVOT ASSY.



NOTES:

- ① RIGHTSIDE GEARBOX ASSY.
USE SERVICE P/N 12704.
- ② LEFTSIDE GEARBOX ASSY.
USE SERVICE P/N 12703.
- ③ SCREWS ARE PART OF GEARBOX ASSY.
TO ORDER SCREWS USE P/N 9154.
- ④ SEE STEERING CONTROL ASSY.
- ⑤ EACH GEARBOX CAPACITY 144 OZ. (4.26 LITERS)
USE ISO 220 AGMA GR 5EP GEAR COMPOUND.

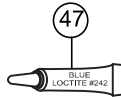
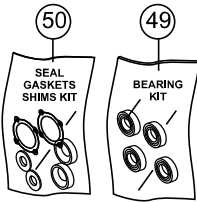
HHN 34TVD — GEAR BOX/PIVOT ASSY.

GEAR BOX/PIVOT ASSY.

<u>NO.</u>	<u>PART NO.</u>	<u>PART NAME</u>	<u>QTY.</u>	<u>REMARKS</u>
1	0166 A	WASHER, LOCK 3/8 MED	8	
2	0447	WASHER, FLAT 1/2 SAE	2	
3	10136	WASHER, FLAT 3/8 SAE	4	
4	10176	NUT, NYLOC 1/2-13	2	
5	1023	SCREW, HHC 3/8 -16 X 1-1/4	8	
6	12716	TRUNNION	1	
7	12719	PIVOT, GEAR BOX W/A	1	
8	12725	BLOCK, ROCKER	4	
9	12856	BRACKET, DIRECTION CONTROL	1	
10	12859	PLATE G.B. SPACER	4	
11	12713	ROCKER BLOCK	2	
12	2549	SCREW, HHC 1/2-13 X 3	2	
13	4370	SCREW, HHC 3/8-16 X 2-1/4	4	
14	20445	GEARLUBE, ISO 220 AGMA GR 5EP 24 OZ.	6	
15#	9154	SCREW, HHC 3/8-16 X 1-3/4	4	
16	12704	GEARBOX, RIGHT	1.....	INCLUDES ITEMS W/#
17	12703	GEARBOX, LEFT.....	1.....	INCLUDES ITEMS W/#

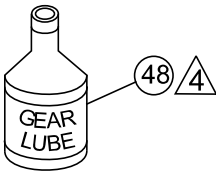
HHN 34TVD — GEARBOX ASSY. (SINGLE SIGHT GLASS)

GEARBOX ASSY.

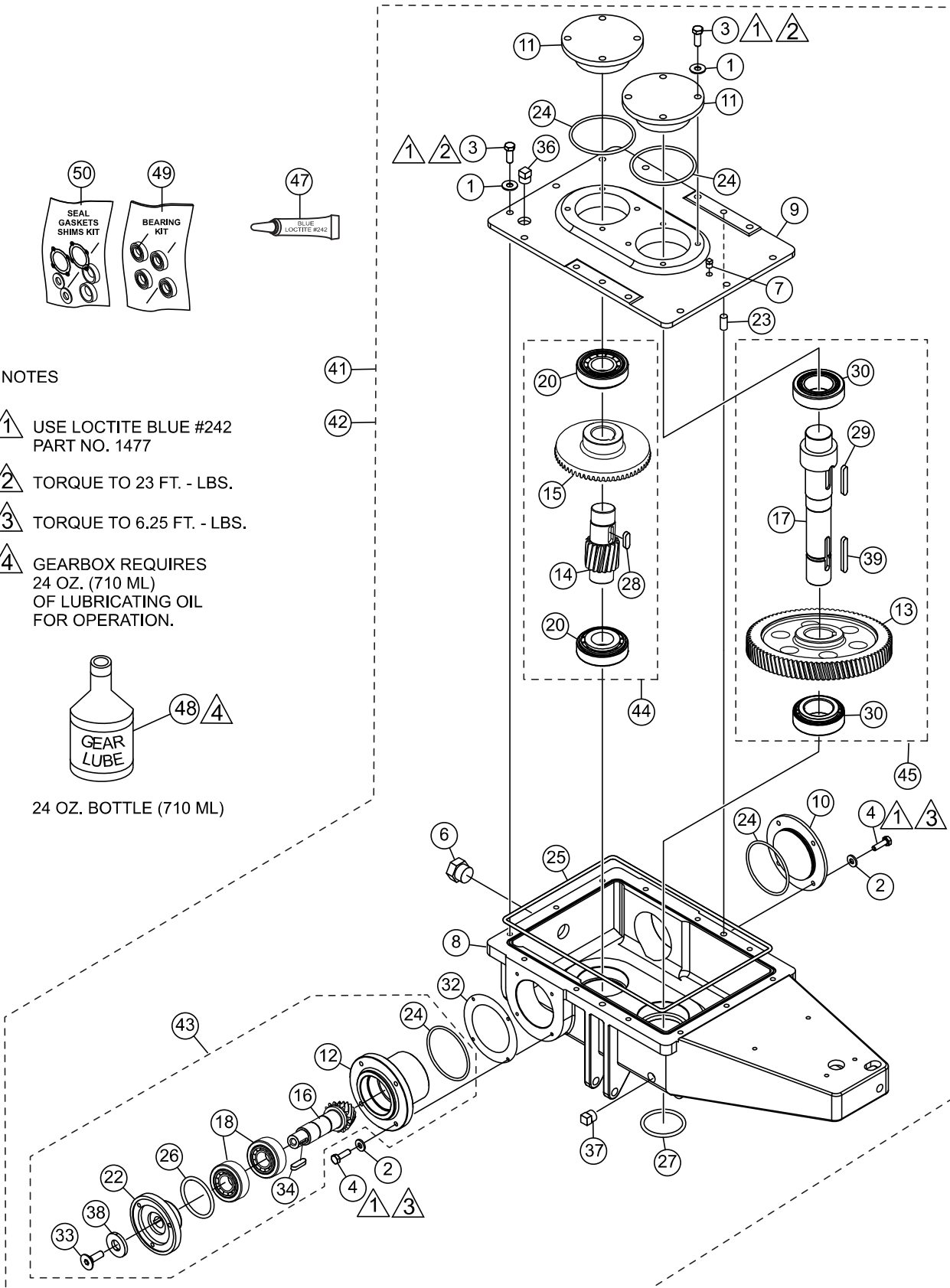


NOTES

- ① USE LOCTITE BLUE #242 PART NO. 1477
- ② TORQUE TO 23 FT. - LBS.
- ③ TORQUE TO 6.25 FT. - LBS.
- ④ GEARBOX REQUIRES 24 OZ. (710 ML) OF LUBRICATING OIL FOR OPERATION.



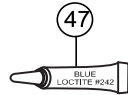
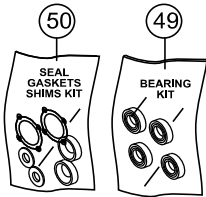
24 OZ. BOTTLE (710 ML)



HHN 34TVD — GEARBOX ASSY. (SINGLE SIGHT GLASS)

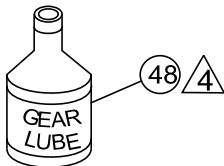
<u>NO.</u>	<u>PART NO.</u>	<u>PART NAME</u>	<u>QTY.</u>	<u>REMARKS</u>
1\$	10136	WASHER, FLAT SAE 3/8"	16	
2\$	0948	WASHER, FLAT SAE 1/4"	8	
3\$	0205	SCREW, HHC 3/8"-16 X 1"	16	
4\$	2295	SCREW, HHC 1/4"-20 X 7/8"	8	
6\$	11584	SIGHT GLASS	1	
7\$	11682	FITTING, PLUG, 1/8" MP SQ HEAD	1	
8\$		GEARBOX HOUSING	1	NOT SOLD SEPARATELY
9\$	21811	COVER, GEAR BOX	1	
10\$	21813	CAP, HELICAL GEARBOX INPUT	1	
11\$	21810	CAP, HELICAL GEARBOX IDLER	2	
12\$%		HUB, HELICAL INPUT SHAFT.....	1	MUST PURCHASE KIT
13\$+		GEAR, 85T HELICAL	1	MUST PURCHASE KIT
14\$@		GEAR, PINION 17T, HELICAL.....	1	MUST PURCHASE KIT
15\$@		GEAR, SPIRAL BEVEL, 60T 6.00PD.....	1	MUST PURCHASE KIT
16\$%		PINION, 15T SPIRAL BEVEL	1	MUST PURCHASE KIT
17\$+	21804	SHAFT, OUTPUT	1	MUST PURCHASE KIT
18\$%#	21803	BEARING, TAPERED ROLLER SET	2	
20\$@#	21802	BEARING, TAPERED ROLLER SET	2	
22\$%		COUPLER, GEARBOX	1	MUST PURCHASE KIT
23\$	12697	PIN, DOWEL 0.375/.3752 X 3/4"	2	
24\$%>	12698	O RING	4	
25\$>	12700	SEAL, CASE O-RING HHN 0.103 X 46.38	1	
26\$%>	12701	SEAL	1	
27\$>	12702	SEAL	1	
28\$@	12735	KEY, 3/8" X 3/4"	1	
29\$+	12736	KEY, HARDENED 3/8" X 1-1/2"	1	
30\$+#	21801	BEARING, CONE TAPERED ROLLER SET	2	
32\$		SHIM, INPUT 0.002 THICK	3	MUST ORDER P/N 20932
33\$%	1313	SCREW, FHSC 3/8"-24 X 3/4" PLAIN	1	
34\$%	26034	KEY, 3/16" X 17/32"	1	
36\$	911064	FITTING, PLUG 1/2" MP SQ HEAD	1	
37\$	911329	FITTING, PLUG 3/8" MP MAGNETIC	2	
38\$%	9120	RETAINER, DRIVEN PULLEY	1	
39\$+	12687	KEY, 3/8" SQ X 2"	1	
41	32214	GEARBOX ASSY. W/OIL, RIGHT	1	INCLUDES ITEMS W/\$
42	32213	GEARBOX ASSY. W/OIL, LEFT	1	INCLUDES ITEMS W/\$
43\$	21853854	INPUT KIT, INPUT PINION/HUB/COUPLER	1	INCLUDES ITEMS W/%
44\$	21853854	INTER KIT, INTER PINION/GEAR	1	INCLUDES ITEMS W/@
45\$	21853854	OUTPUT KIT, OUTPUT SHAFT/GEAR.....	1	INCLUDES ITEMS W/+
47	1477	LOCTITE BLUE #242	1	
48	20445	OIL, HELICAL SERVICE 24 OZ.	6	
49	32077	KIT, SERVICE, BEARING REPLACEMENT. 1	1	INCLUDES ITEMS W/#
50	20932	KIT, SEAL GEARBOX.....	1	INCLUDES ITEMS W/>

HHN 34TVD — GEARBOX ASSY. (DUAL SIGHT GLASS)

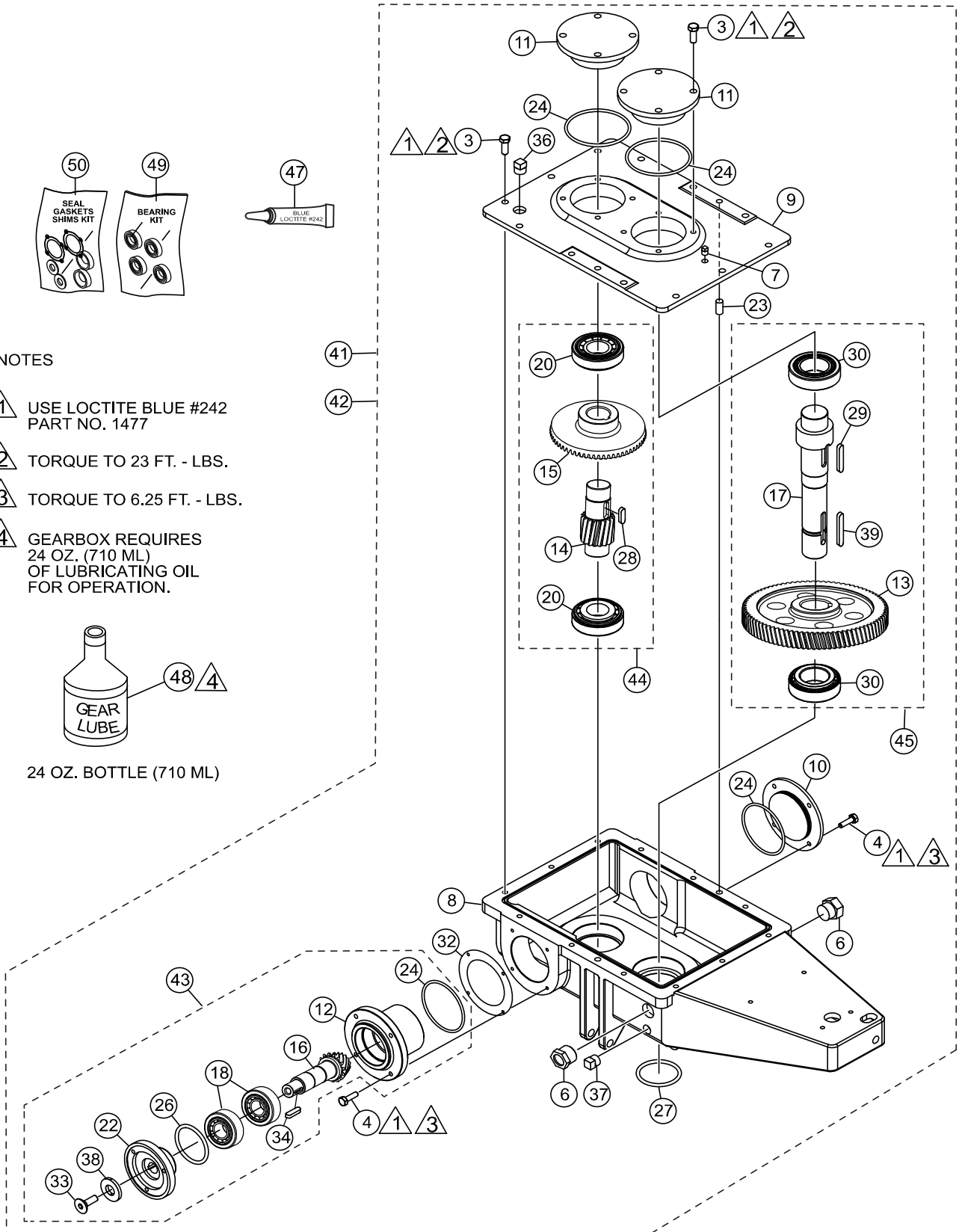


NOTES

- 1 USE LOCTITE BLUE #242 PART NO. 1477
- 2 TORQUE TO 23 FT. - LBS.
- 3 TORQUE TO 6.25 FT. - LBS.
- 4 GEARBOX REQUIRES 24 OZ. (710 ML) OF LUBRICATING OIL FOR OPERATION.



24 OZ. BOTTLE (710 ML)



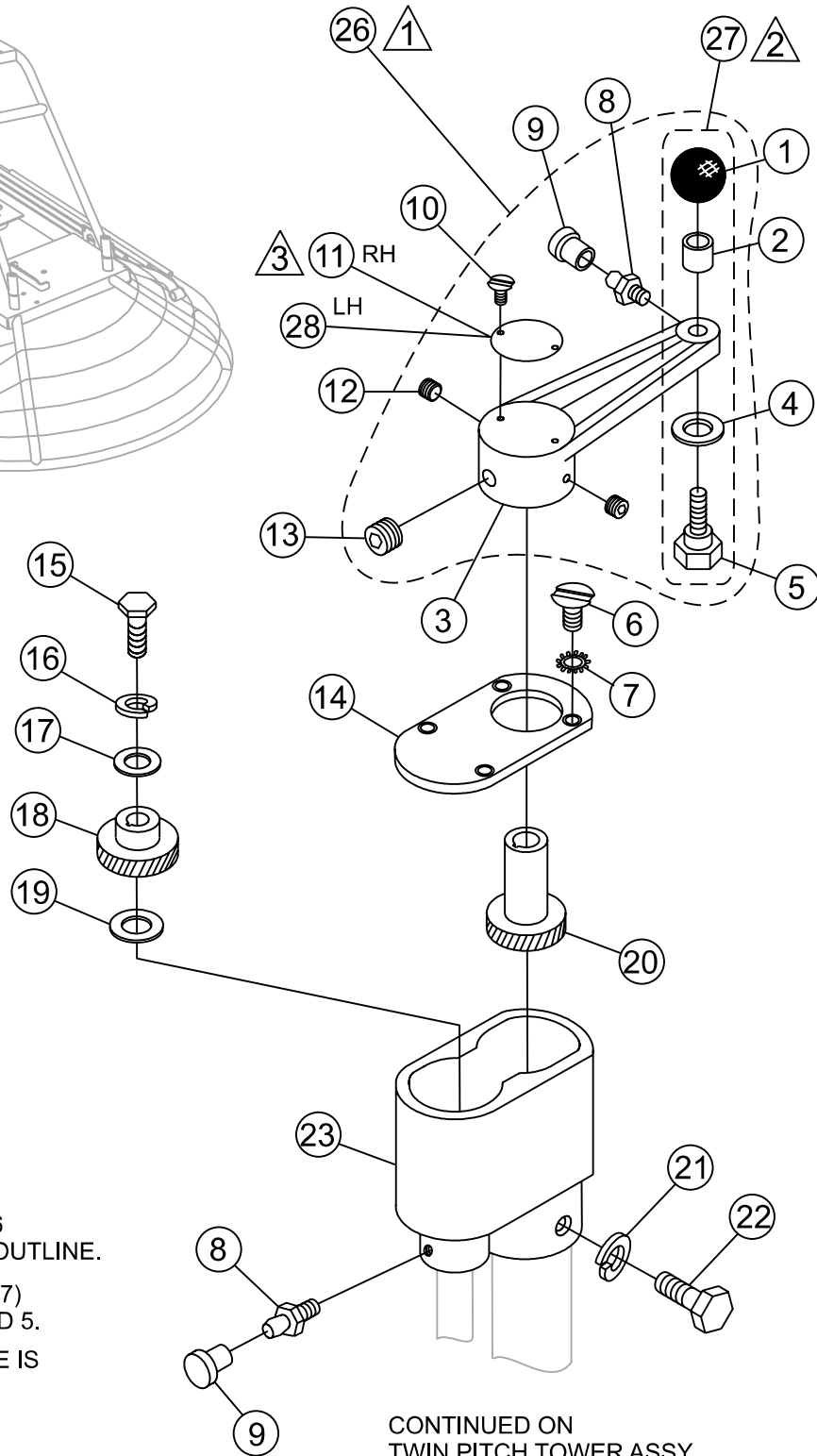
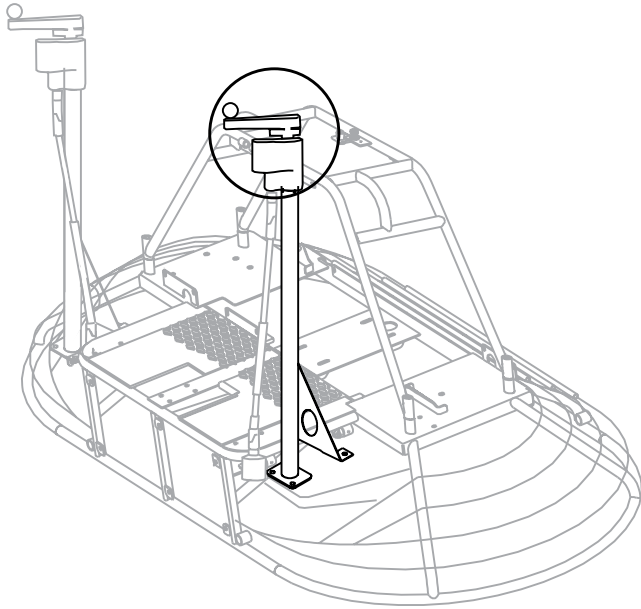
HHN 34TVD — GEARBOX ASSY. (DUAL SIGHT GLASS)

GEARBOX ASSY.

<u>NO.</u>	<u>PART NO.</u>	<u>PART NAME</u>	<u>QTY.</u>	<u>REMARKS</u>
3\$	32379	SCREW, HFS 3/8-16 X 1	20	
4\$	46031	SCREW, HFS 1/4-20 X 1	8	
6\$	21033	SIGHT GLASS	2	
7\$	11682	FITTING, PLUG, 1/8 MP SQ HEAD	1	
8\$	21812	GEARBOX HOUSING	1	
9\$	21811	COVER, GEAR BOX	1	
10\$	32537	END CAP, BLIND, INPUT	1	
11\$	32533	END CAP, UPPER SHAFT BEARING	2	
12\$%		HUB, HELICAL INPUT SHAFT	1	MUST PURCHASE KIT
13\$+		GEAR, 85T HELICAL.....	1	MUST PURCHASE KIT
14\$@		GEAR, PINION 17T, HELICAL.....	1	MUST PURCHASE KIT
15\$@		GEAR, SPIRAL BEVEL, 60T 6.00PD	1	MUST PURCHASE KIT
16\$%		PINION, 15T SPIRAL BEVEL.....	1	MUST PURCHASE KIT
17\$+		SHAFT, OUTPUT	1	MUST PURCHASE KIT
18\$%	21803	BEARING, TAPERED ROLLER SET	2	
20\$@	21802	BEARING, TAPERED ROLLER SET	2	
22\$%		COUPLER, GEARBOX.....	1	MUST PURCHASE KIT
23\$	926942	PIN, DOWEL 0.375 DIA. X 3/4	2	
24\$%	12698	O RING	2	
26\$%	12701	SEAL	1	
27\$	12702	SEAL	1	
28\$@	12735	KEY, 3/8 X 3/4	1	
29\$+	12736	KEY, HARDENED 3/8 X 1-1/2	1	
30\$+	21801	BEARING, CONE TAPERED ROLLER SET	2	
32\$	21800	SHIM, INPUT. 0.002 THICK	3	
33\$%	30318	SCREW, FHSC 3/8 - 24 X 1	1	
34\$%	26034	KEY, 3/16 X 17/32	1	
36\$	911064	FITTING, PLUG 1/2 MP SQ HEAD	1	
37\$	911329	FITTING, PLUG 3/8 MP MAGNETIC	2	
38\$%	9120	RETAINER, DRIVEN PULLEY	1	
39\$+	12687	KEY, 3/8 SQ X 2	1	
41	32958-SK	GEARBOX ASSY., RIGHT	1	INCLUDES ITEMS W/\$
42	32957-SK	GEARBOX ASSY., LEFT	1	INCLUDES ITEMS W/\$
43\$	32536	INPUT HUB ASSY.....	1	INCLUDES ITEMS W/%
44\$	32653	INTERMEDIATE SHAFT ASSY.....	1	INCLUDES ITEMS W/@
45\$	32652	OUTPUT SHAFT ASSY.	1	INCLUDES ITEMS W/+
47	1477	LOCTITE BLUE #242	1	
48	60078	OIL, GEAR LUBE ISO GRADE 220	1	

HHN 34TVD — TWIN PITCH HANDLE ASSY. (LEFT & RIGHT)

TWIN PITCH HANDLE ASSY. (LEFT & RIGHT)



- ▲ 1 LEVER ASSEMBLY, ITEM 26 INCLUDES ITEMS WITHIN OUTLINE.
- ▲ 2 KNOB KIT P/N 2737 (ITEM 27) INCLUDES ITEMS 1,2,4, AND 5.
- ▲ 3 RIGHT SIDE PITCH HANDLE IS IDENTICAL TO LEFT SIDE PITCH HANDLE UNLESS OTHERWISE NOTED.

CONTINUED ON TWIN PITCH TOWER ASSY.

HHN 34TVD — TWIN PITCH HANDLE ASSY. (LEFT & RIGHT)

TWIN PITCH HANDLE ASSY. (LEFT & RIGHT)

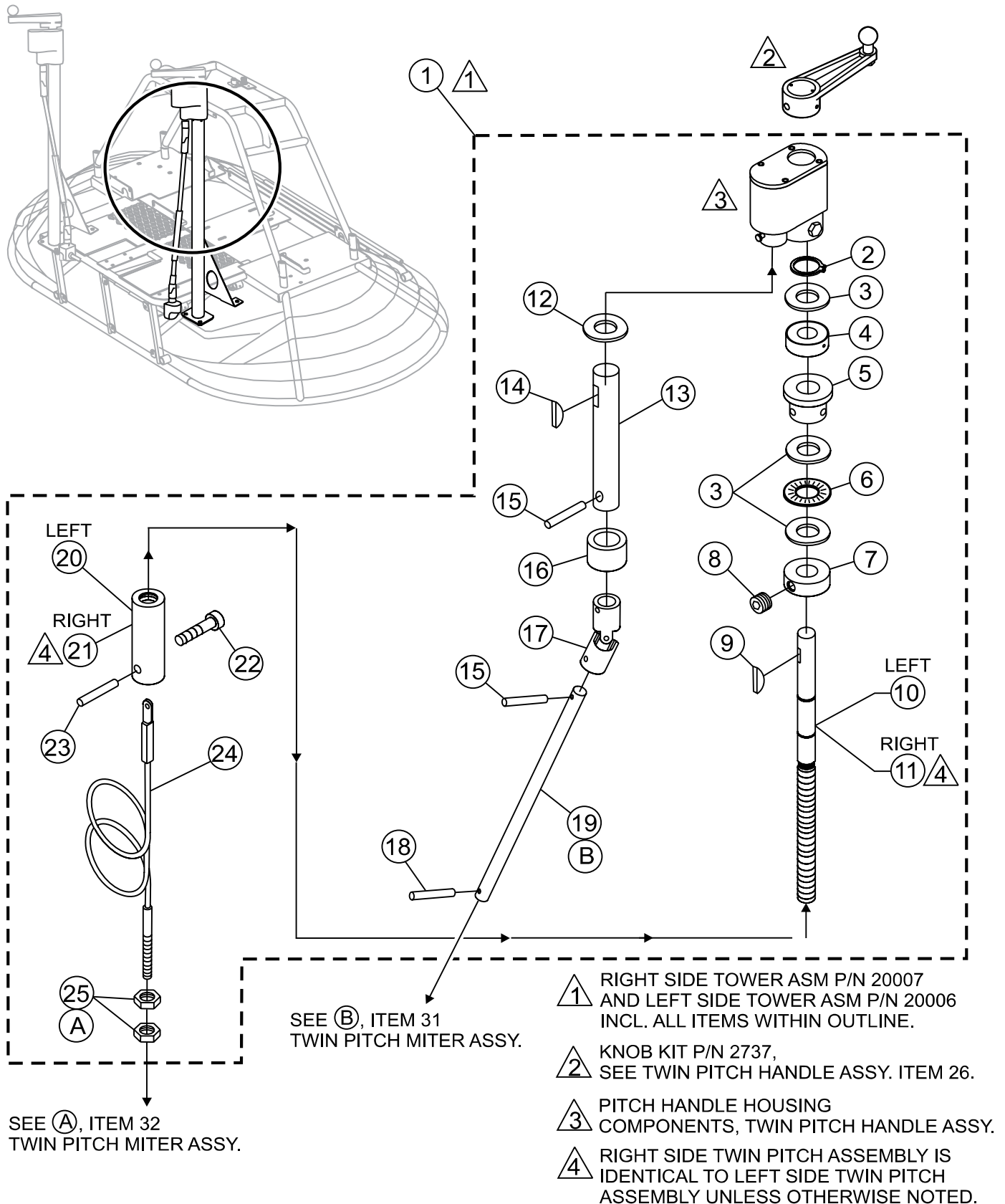
<u>NO.</u>	<u>PART NO.</u>	<u>PART NAME</u>	<u>QTY.</u>	<u>REMARKS</u>
1 #	4403	KNOB, SHIFT	1	
2 #	3231	SPACER	1	
3 #	1615	CRANK LEVER	1	
4 #	1733	HARDENED WASHER	1	
5 #	1616	SHOULDER BOLT	1	
6 +%	2620	SCREW, BHC 10 – 24 X 5/8	4	
7	10114	WASHER, EXT. SHKP, #8	4	
8	2621	FITTING GREASE	2	
9	1162 A	CAP, GREASE ZERK/2	2	
10 #	4014	SCREW, 2 - 3/16 P-K TYPE U DRIVE	2	
11 #	2300	DECAL, AL PITCH, RH	1	
12 #	1528	SCREW, SHSS 1/4 – 20 X 5/16"	2	
13 #	0185	SCREW, SHSS 3/8 – 16 X 3/8"	1	
14 +%	2649	COVER, PITCH CONT HOUSING	1	
15 +%	1579	SCREW, HHC 1/4 – 20 X 1/2	1	
16 +%	0181 B	WASHER, LOCK, 1/4 MED	4	
17 +%	0948	WASHER, FLAT, 1/4 SAE	1	
18 +%	1530	GEAR, SLAVE, TPC	1	
19 +%	1733	WASHER, 1/32 X 1/2 HARDENED	8	
20 +%	1529	GEAR, MASTER, TPC	1	
21 +%	0161 C	WASHER, LOCK 5/16 MED	1	
22 +%	0655	SCREW, HHC 5/16 – 18 X 3/4	1	
23 +%	10546	HOUSING, PITCH CONTROL, 1 - 3/4	1	
26	1617	LEVER ASSY., TROWEL ADJUSTMENT	1	INCLUDES ITEMS W/#
27	2737	KNOB, KIT	1	INCLUDES ITEMS W/\$
28 #	2332	DECAL, AL PITCH, LH	1	

NOTE 1: ITEMS WITH % ARE PART OF TWIN PITCH ASSEMBLY RIGHT SIDE P/N 20007.
 ITEMS WITH + ARE PART OF TWIN PITCH ASSEMBLY LEFT SIDE P/N 20006.

NOTE 2: INDICATED QUANTITIES ARE FOR ONE PITCH TOWER.
 IF ORDERING FOR TWO PITCH TOWERS DOUBLE THE QUANTITY.

HHN34TVD — TWIN PITCH TOWER ASSY. (LEFT & RIGHT)

TWIN PITCH TOWER ASSY. (LEFT & RIGHT)



HHN34TVD — TWIN PITCH TOWER ASSY. (LEFT & RIGHT)

TWIN PITCH TOWER ASSY. (LEFT & RIGHT)

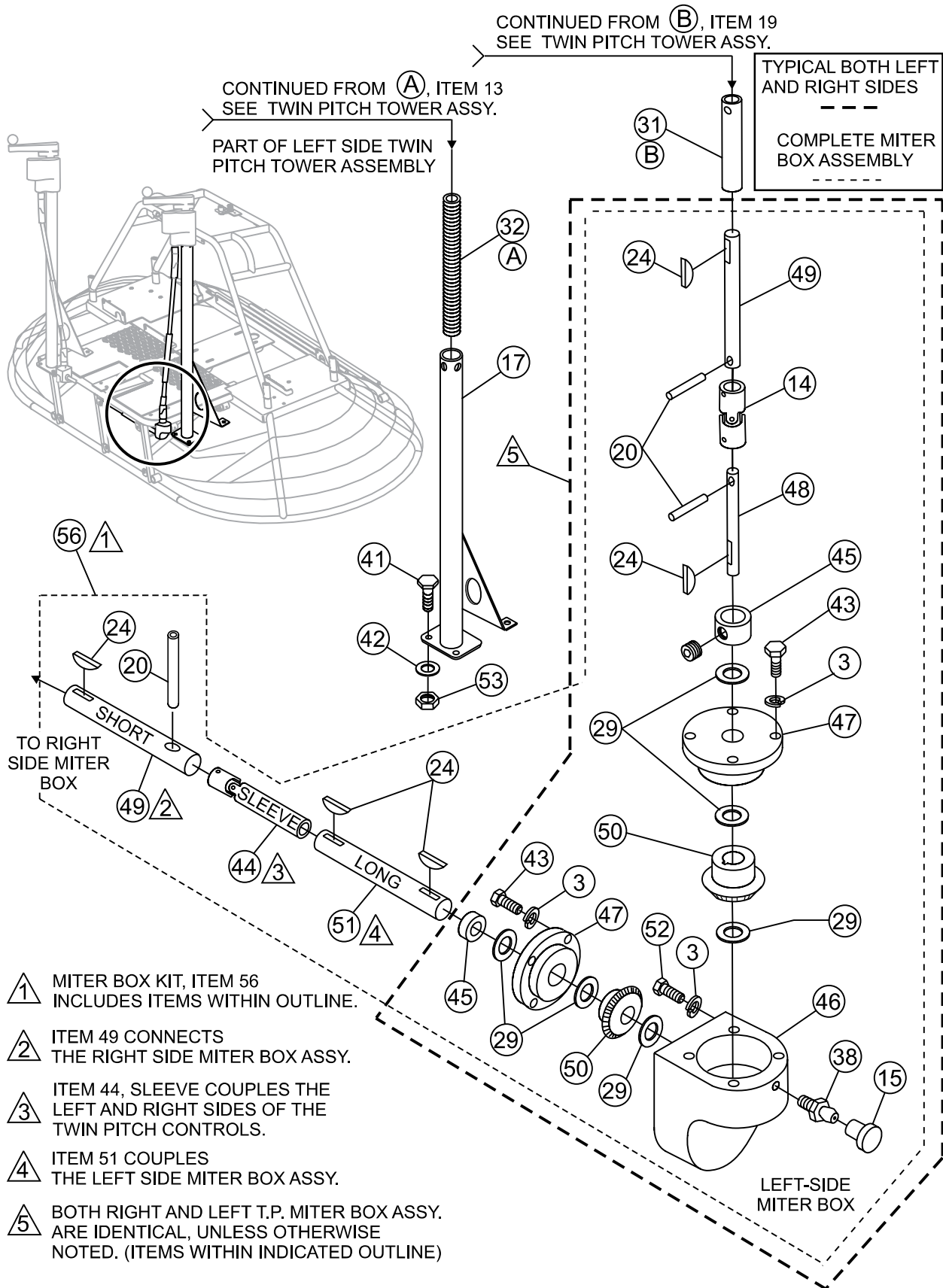
<u>NO.</u>	<u>PART NO.</u>	<u>PART NAME</u>	<u>QTY.</u>	<u>REMARKS</u>
1 (LT)	20006	TOWER ASSEMBLY, LEFT TPC.....	1	INCLUDES ITEMS W/+
1 (RT)	20007	TOWER ASSEMBLY, RIGHT TPC	1	INCLUDES ITEMS W/%
2 +%	10512	RING, SNAP, TRUARC 5160 – 75	1	
3 +%	2170	BEARING, RACE, TORR #TRA 1220	3	
4 +%	1604	BEARING, BALL THRUST	1	
5 +%	1612	BEARING, ALUM – PITCH CONTR	1	
6 +%	2169	BEARING, THRUST, TORR #NTA 1220	1	
7 +%	2367	SET COLLAR.....	1	INCLUDES ITEM 8
8 +%	0685	SCREW, SHS 5/16 - 18 X 5/16	1	
9 +%	0126	KEY, WOODRUFF #9	1	
10 +	10511	SHAFT, PITCH CONTROL, LH TPC.....	1	LEFT SIDE ONLY
11 %	10510	SHAFT, PITCH CONTROL, RH TPC	1	RIGHT SIDE ONLY
12 +%	1733	WASHER, 1/32 X 1/2 HARDENED	4	
13 +%	2007	SHAFT	1	
14 +%	1578	KEY, WOODRUFF, #3.....	9	QTY. INCLUDES USAGE ON BOTH TWIN PITCH ASSEMBLIES, AND MITER BOX SHAFTS
15 +%	11654	PIN, ROLL 1/8 X 1 PLATED.....	5	QTY. INCLUDES USAGE ON BOTH TWIN PITCH ASSEMBLIES, AND MITER BOX SHAFTS
16 +%	2311	SPACER, 3/4 X 1/2 X 0.8L	1	
17 +%	11583	U-JOINT, PITCH CONTROL	1	
18 +%	1586	PIN, ROLL 1/8 X 3/4	1	
19 +%	20005	SHAFT, PITCH CONTROL	1	
20 +	10722	SLIDE BLOCK, LH PITCH CONTROL	1	LEFT SIDE ONLY
21 %	10721	SLIDE BLOCK, RH PITCH CONTROL.....	1	RIGHT SIDE ONLY
22 +%	10382	BOLT, SHOULDER 3/8 X 3/8 LONG	1	
23 +%	10723	PIN, SPIROL 3/16 X 1 3/8 HD	1	
24 +%	12460	CABLE, PITCH ASSEMBLY	1	
25 +%	1116	NUT, BRASS JAM 5/16 – 18	2	

NOTE 1: ITEMS WITH % ARE PART OF TWIN PITCH ASSEMBLY RIGHT SIDE P/N 20007.
ITEMS WITH + ARE PART OF TWIN PITCH ASSEMBLY LEFT SIDE P/N 20006.

NOTE 2: INDICATED QUANTITIES ARE FOR ONE PITCH TOWER.
IF ORDERING FOR TWO PITCH TOWERS DOUBLE THE QUANTITY.

HHN34TVD — TWIN PITCH MITER ASSY. (LEFT & RIGHT)

TWIN PITCH MITER ASSY. (LEFT & RIGHT)



- 1 MITER BOX KIT, ITEM 56 INCLUDES ITEMS WITHIN OUTLINE.
- 2 ITEM 49 CONNECTS THE RIGHT SIDE MITER BOX ASSY.
- 3 ITEM 44, SLEEVE COUPLES THE LEFT AND RIGHT SIDES OF THE TWIN PITCH CONTROLS.
- 4 ITEM 51 COUPLES THE LEFT SIDE MITER BOX ASSY.
- 5 BOTH RIGHT AND LEFT T.P. MITER BOX ASSY. ARE IDENTICAL, UNLESS OTHERWISE NOTED. (ITEMS WITHIN INDICATED OUTLINE)

HHN34TVD — TWIN PITCH MITER ASSY. (LEFT & RIGHT)

TWIN PITCH MITER ASSY. (LEFT & RIGHT)

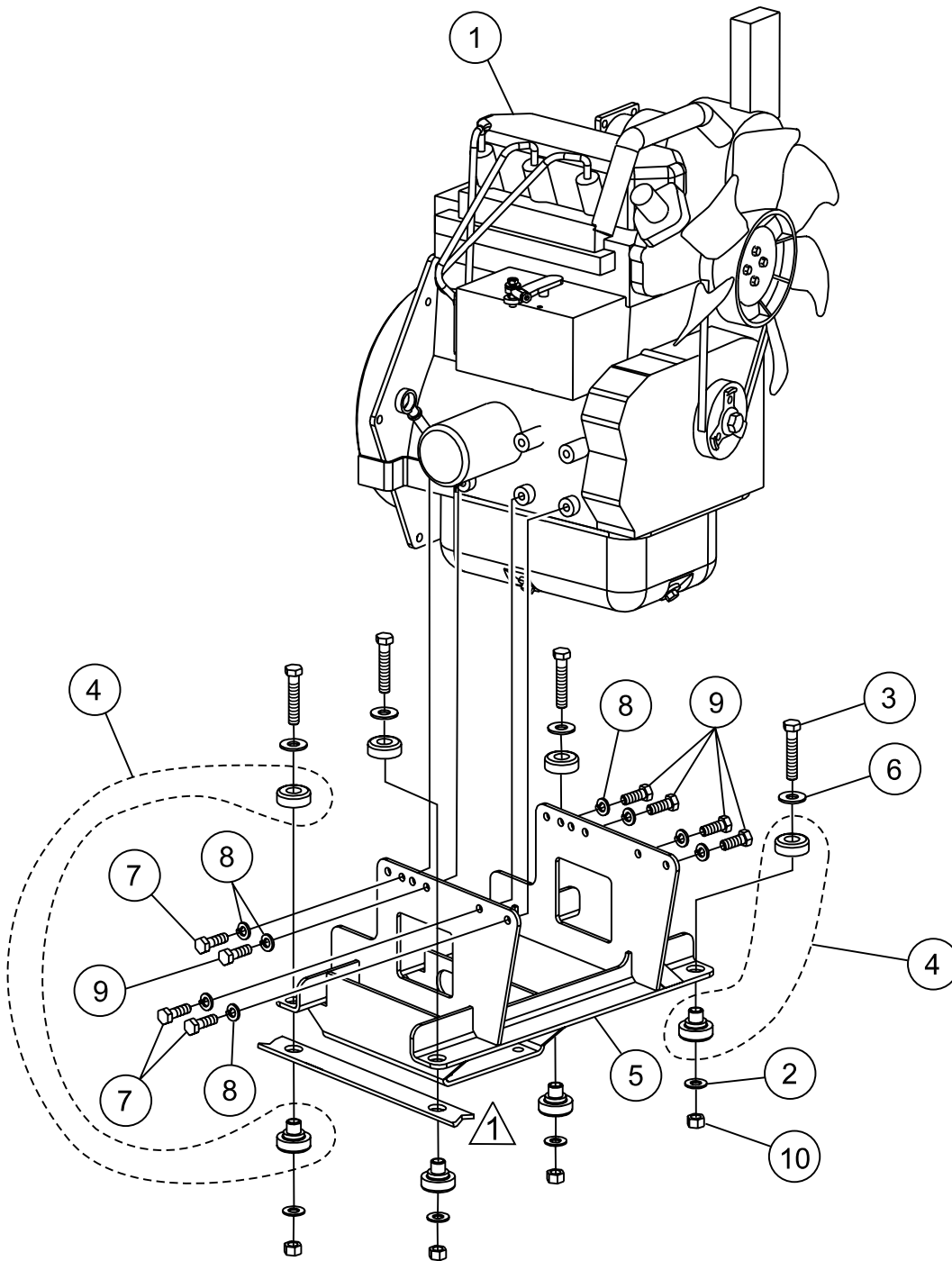
<u>NO.</u>	<u>PART NO.</u>	<u>PART NAME</u>	<u>QTY.</u>	<u>REMARKS</u>
3@+%	0181 B	WASHER, LOCK, 1/4 MED	20	
14@+%	11583	U-JOINT, PITCH CONTROL	2	
15@+%	1162 A	CAP, GREASE ZERK	2	
17	10548	TUBE, PITCH CONTROL	1	
20@+%	11654	PIN, ROLL 1/8 X 1	5	QTY. INCLUDES USAGE ON BOTH TWIN PITCH ASSEMBLIES, AND MITER BOX SHAFTS
24@+%	1578	KEY, WOODRUFF, #3	9	QTY. INCLUDES USAGE ON BOTH TWIN PITCH ASSEMBLIES, AND MITER BOX SHAFTS
29@+%	1733	WASHER, 1/32 X 1/2 HARDENED	8	
31	2012	SLEEVE, ADJ – LONG, RIDER	1	
32	2156	SPRING, COIL	1	
38@+%	2621	ZERK, GREASE STR 1/4 – 28	2	
41	0202	SCREW, HHC 5/16 – 18 X 1	4	
42	0300 B	WASHER, FLAT, 5/16 SAE	4	
43@	0730	SCREW, HHC 1/4 – 20 X 1	8	
44@	11653	SLEEVE, WITH U-JOINT HTH	1	
45@	1577	SET COLLAR, 1/2	2	
46@	1987	MITER BOX, PITCH CONTROL	1	
47@	1988	MITER BOX, BEARING CAP RIDERS	2	
48@	2021	SHAFT, MITER VERTICAL	1	
49@	2022	SHAFT, MITER	3	QTY. INCLUDES USAGE ON BOTH TWIN PITCH ASSEMBLIES, AND MITER BOX SHAFTS
50@	2062	GEAR, MITER	2	
51@	2845	SHAFT, MITER BOX HORIZ	1	
52@	4514	SCREW, HHC 1/4 – 20 X 5/8	4	
53	5283	NUT, NYLOC 5/16 –18	4	
56	11655	MITER BOX ASSEMBLY	1	INCLUDES ITEMS W/@

NOTE 1: ITEMS WITH % ARE PART OF TWIN PITCH ASSEMBLY RIGHT SIDE P/N 20007.
ITEMS WITH + ARE PART OF TWIN PITCH ASSEMBLY LEFT SIDE P/N 20006.

NOTE 2: INDICATED QUANTITIES ARE FOR ONE PITCH TOWER.
IF ORDERING FOR TWO PITCH TOWERS DOUBLE THE QUANTITY.

HHN 34TVD — ENGINE AND MOUNTS ASSY.

ENGINE AND MOUNTS ASSY.



NOTES:

 PART OF FRAME.

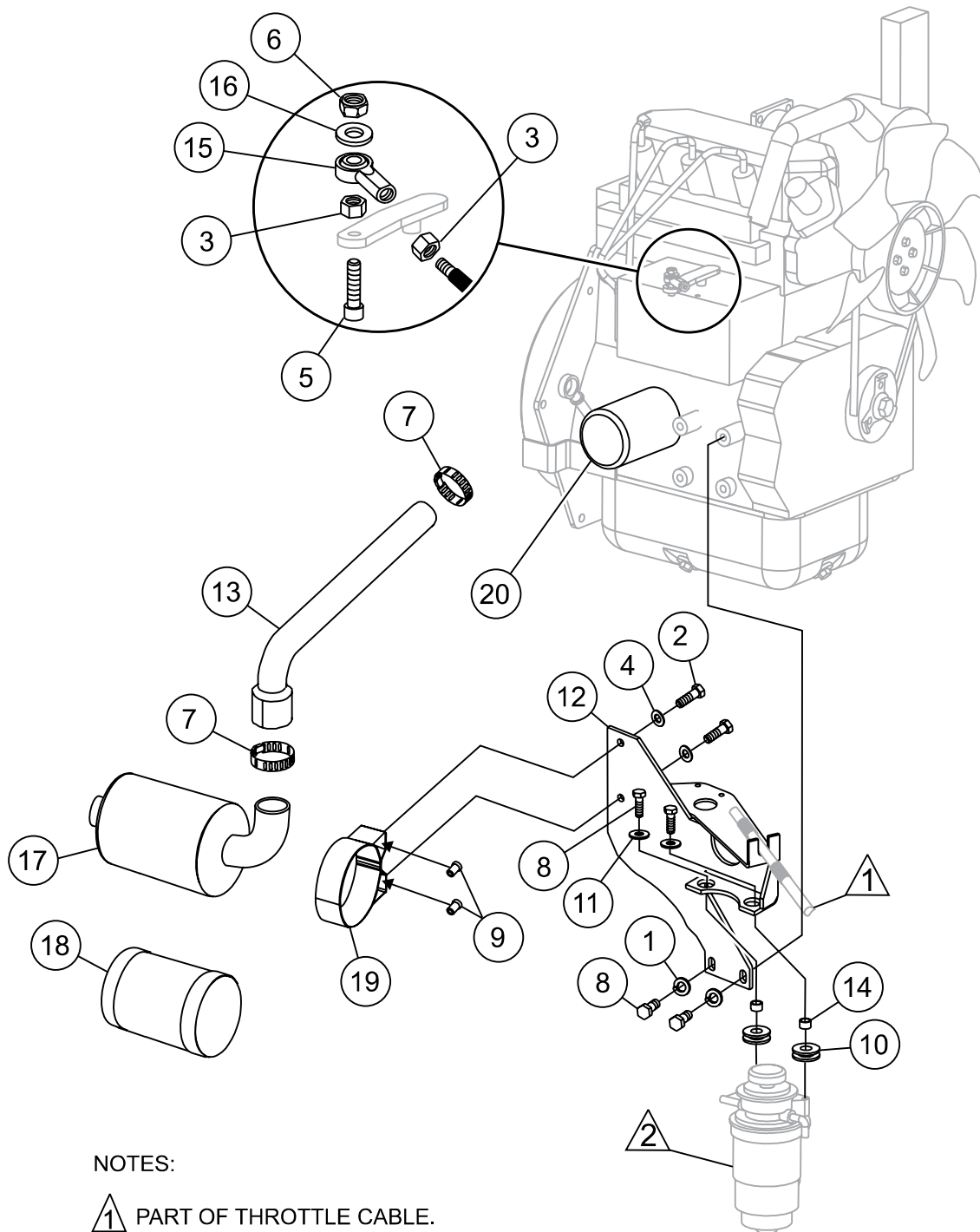
HHN 34TVD — ENGINE AND MOUNTS ASSY.

ENGINE AND MOUNTS ASSY.

<u>NO.</u>	<u>PART NO.</u>	<u>PART NAME</u>	<u>QTY.</u>	<u>REMARKS</u>
1	21295	ENGINE, BRIGGS 34 HP DM954D	1	
2	10136	WASHER, FLAT 3/8 SAE	4	
3	1665	SCREW, 3/8 - 16 X 2	4	
4	21014	MOUNT, ENGINE VIB.	4	
5	21582	CRADLE, ENGINE	1	
6	4001	WASHER, FLAT 3/8 PLTD STD USS	4	
7	1605	SCREW, HHC M8 - 1.25 X 25MM	3	
8	0161 C	WASHER, LOCK 5/16 MED	8	
9	2866	SCREW, HHC M8 - 1.25 X 20MM	5	
10	10133	NUT, NYLOC 3/8 - 16	4	

HHN 34TVD — ENGINE - AIR CLEANER & THROTTLE ASSY.

ENGINE - AIR CLEANER & THROTTLE ASSY.



NOTES:

▲ PART OF THROTTLE CABLE.

▲ FUEL FILTER AND ELEMENT
SEE FUEL SECTION.

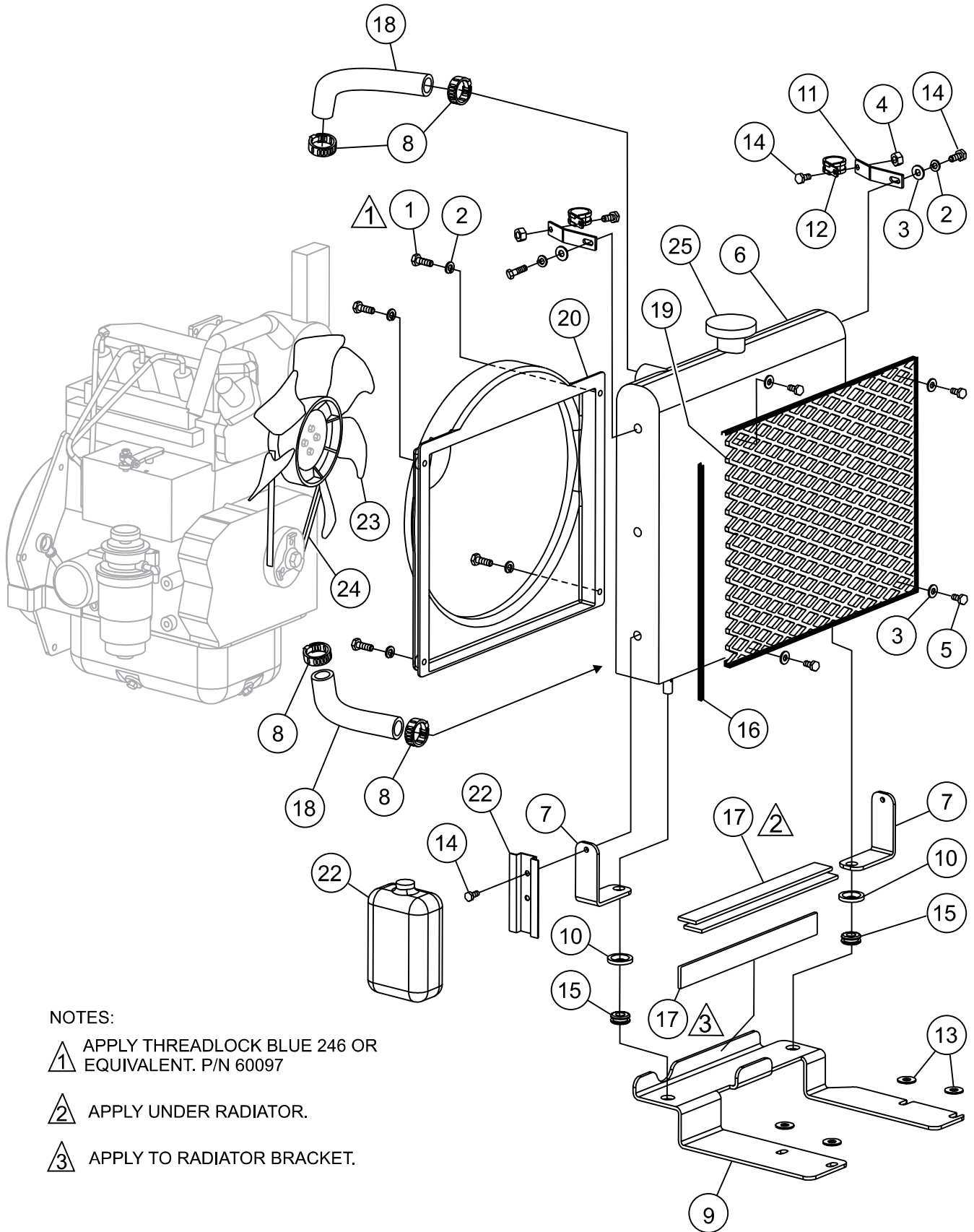
HHN 34TVD — ENGINE - AIR CLEANER & THROTTLE ASSY.

ENGINE - AIR CLEANER & THROTTLE ASSY.

<u>NO.</u>	<u>PART NO.</u>	<u>PART NAME</u>	<u>QTY.</u>	<u>REMARKS</u>
1	0161 C	WASHER, LOCK, 5/16 MED.	5	
2	0730	SCREW, HHC 1/4 - 20 X 1	2	
3	0937	NUT, HEX 10-32	2	
4	0948	WASHER, FLAT 1/4 SAE	2	
5	10018	SCREW, SHC 10-32 X 1	1	
6	10019	NUT, NYLOC 10-32	1	
7	10434	CLAMP, HOSE 2 IN ID	2	
8	1605	SCREW, HHC M8-1.25 X 25mm	5	
9	19266	NUT, BLIND 1/4 - 20 X 10GA	2	
10	19468	GROMMET	2	
11	19470	WASHER, FLAT 5/16 USS	2	
12	21481	BRACKET, AIR CLEANER HHN 34VTD	1	
13	21496	HOSE, AIR CLEANER HHN 34VTD	1	
14	21509	SPACER, .5 OD X .05 W X .31	2	
15	2153	ROD END, 10-32 FEMALE RH	1	
16	2203	WASHER, FLAT #10	1	
17	825118	AIR CLEANER ASSY.	1	
18	820263	ELEMENT, AIR CLEANER	1	
19	820250	CLAMP, AIR CLEANER	1	
20	820314	OIL FILTER	1	

HHN 34TVD — ENGINE RADIATOR ASSY.

ENGINE RADIATOR ASSY.



NOTES:

1 APPLY THREADLOCK BLUE 246 OR EQUIVALENT. P/N 60097

2 APPLY UNDER RADIATOR.

3 APPLY TO RADIATOR BRACKET.

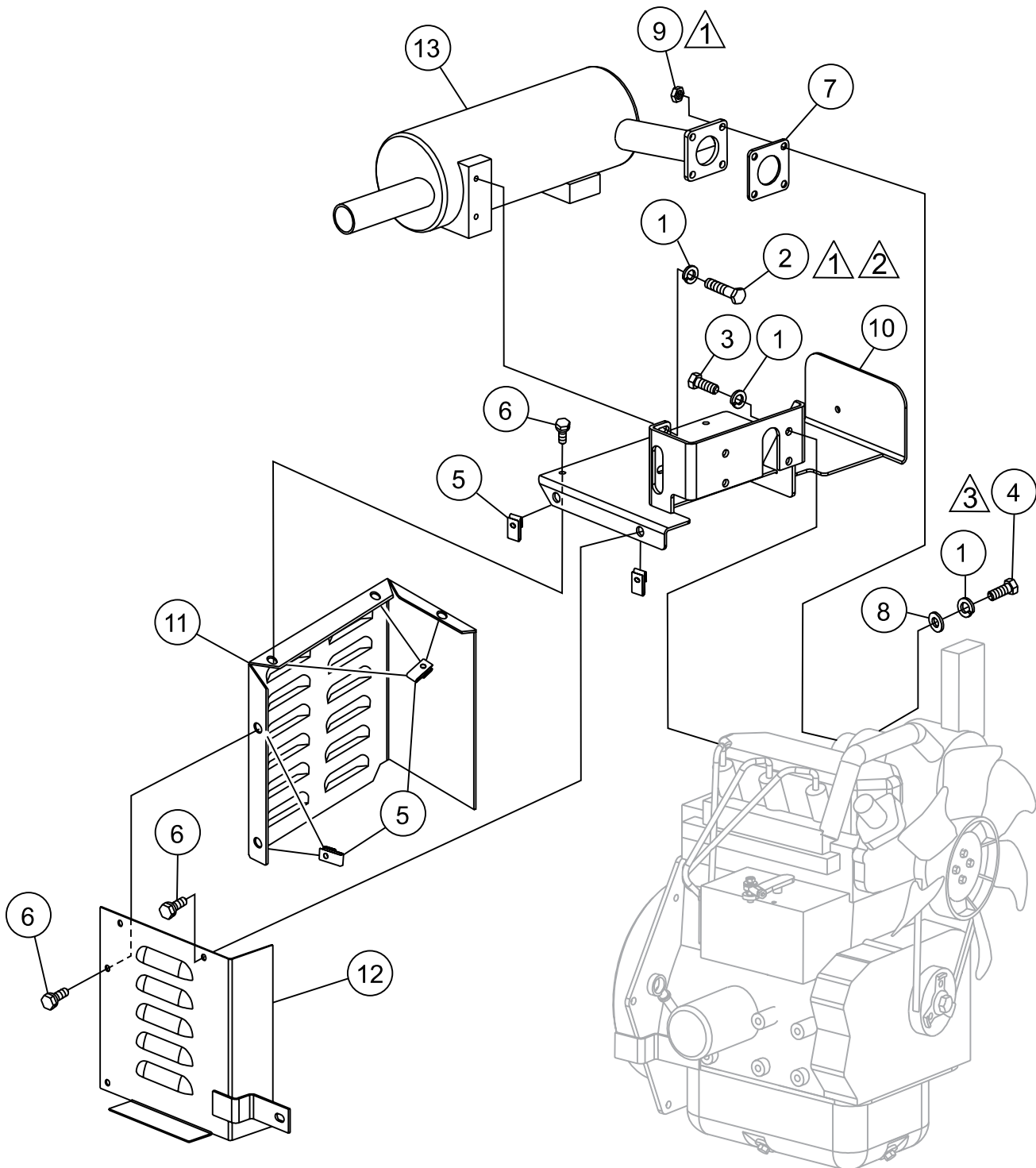
HHN 34TVD— ENGINE RADIATOR ASSY.

ENGINE RADIATOR ASSY.

<u>NO.</u>	<u>PART NO.</u>	<u>PART NAME</u>	<u>QTY.</u>	<u>REMARKS</u>
1	0131 A	SCREW, HHC 1/4 - 20 X 3/4	4	
2	0181 B	WASHER, LOCK 1/4 MED	6	
3	0948	WASHER, FLAT, 1/4 SAE	6	
4	10024	NUT, NYLOC 1/4-20	2	
5	1579	SCREW, HHC 1/4 - 20 X 1/2	4	
6	21453	RADIATOR, HHN 34TVD	1	
7	21281	BRACKET, RADIATOR TIE DOWN	2	
8	21552	CLAMP, HOSE WORM 1 - 1/4 DIA #16	4	
9	21568	BRACKET, RADIATOR HHN	1	
10	21570	SPACER, RADIATOR POST	2	
11	21573	BRACKET, RADIATOR SUPPORT	2	
12	21574	CLAMP, LOOP CUSHIONED #16	2	
13	4001	WASHER, FLAT 3/8 PLTD STD USS	4	
14	4514	SCREW, HHC 1/4 - 20 X 5/8	6	
15	579072	GROMMET, 0.5 ID	2	
16	60049	TRIM EDGE, 1/32	5.5	SOLD IN FOOT LENGTHS
17	60119	TAPE, FOAM SELF-ADH PVC 0.19 X 1.25	3	
18	825543	HOSE, RADIATOR	2	
19	12450	GUARD, RADIATOR	1	
20	21488	SHROUD, RADIATOR 34V TD.....	1	SAFETY ITEM
21	825106	BRACKET, MOUNTING TANK	1	
22	825428	TANK RESERVE ASSY.	1	
23	825446	FAN, RADIATOR	1	
24	820271	FAN BELT	1	
25	CAPPRE10415	CAP, RADIATOR	1	

HHN 34TVD — ENGINE MUFFLER ASSY.

ENGINE MUFFLER ASSY.



NOTES:

① TORQUE TO 15 FT. LBS.

② USE THREADLOCK BLUE 242 OR EQUIVALENT.

③ GROUNDING HARDWARE.

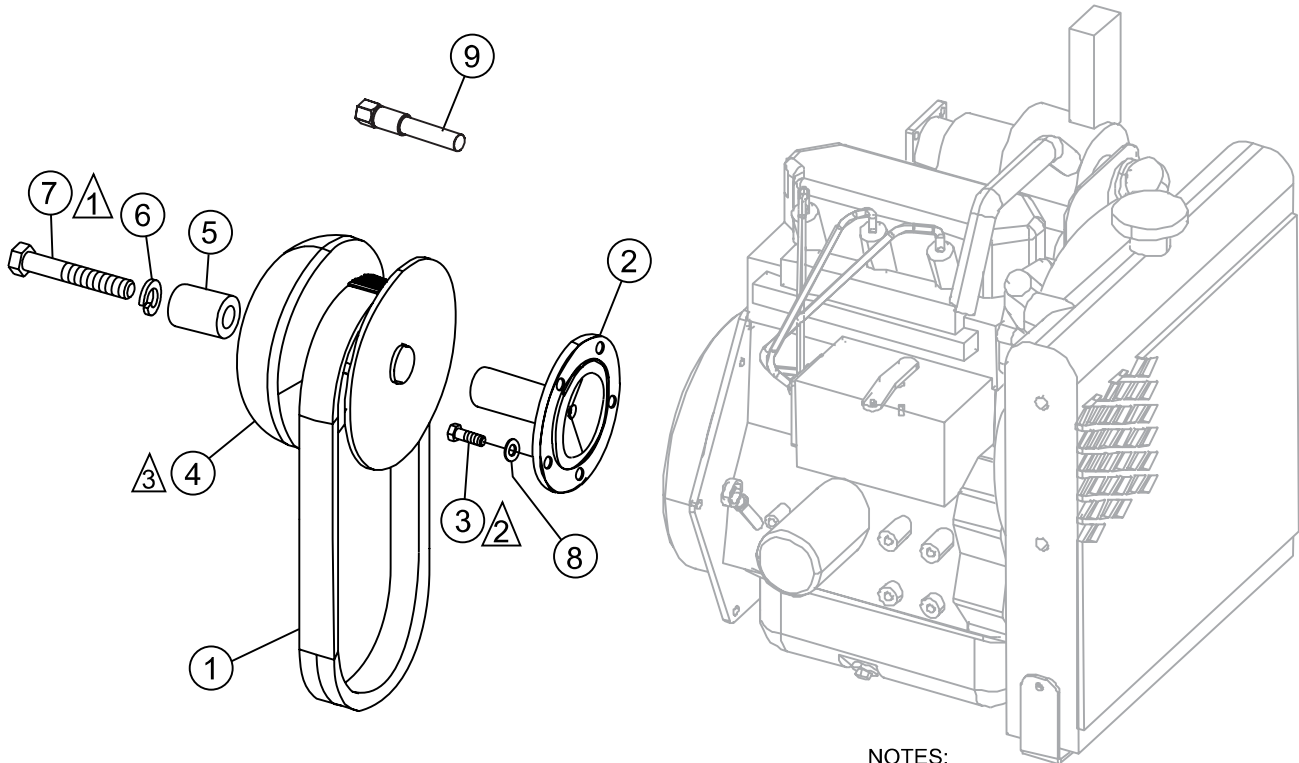
HHN 34TVD — ENGINE MUFFLER ASSY.

ENGINE MUFFLER ASSY.



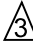
NO	PART NO	PART NAME	QTY.	REMARKS
1	0161 C	WASHER, LOCK, 5/16 MED.	4	
2	0655	SCREW, HHC 5/16-18 X 3/4	2	
3	1605	SCREW, HHC M8-1.25 X 25mm	4	
4	2866	SCREW, HHC M8-1.25 X 20mm	2	
5	11534	NUT, "U" TYPE, 1/4-20	8	
6	11819	SCREW, HHC 1/4-20 X 3/4 W/WASH	7	
7	12847	EXHAUST GASKET	1	
8	19470	WASHER, FLAT 5/16 USS	2	
9	20440	NUT, HEX LOCK M8 - 1.25 THIN	4	
10	21036	BELT GUARD/MUFFLER SUPPORT	1	SAFETY ITEM
11	21190	PLATE, BELT GUARD SIDE	1	COMET CLUTCH
			SAFETY ITEM
11	22579	PLATE, BELT GUARD SIDE	1	MULTI-CLUTCH
			SAFETY ITEM
12	21197	PLATE, BELT GUARD REAR.....	1	SAFETY ITEM
13	21451	MUFFLER, 34TVD	1	

HHN 34TVD — ENGINE CLUTCH ASSY. (OLD STYLE)

ENGINE CLUTCH ASSY. (OLD STYLE)



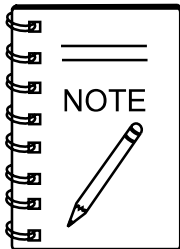
NOTES:

-  TORQUE TO 150 FT. LBS
-  TORQUE TO 15 FT. LBS.
BOLT IS INCLUDED WITH
ENGINE.
-  COMET CLUTCH
NO LONGER AVAILABLE.

HHN 34TVD — ENGINE CLUTCH ASSY. (OLD STYLE)

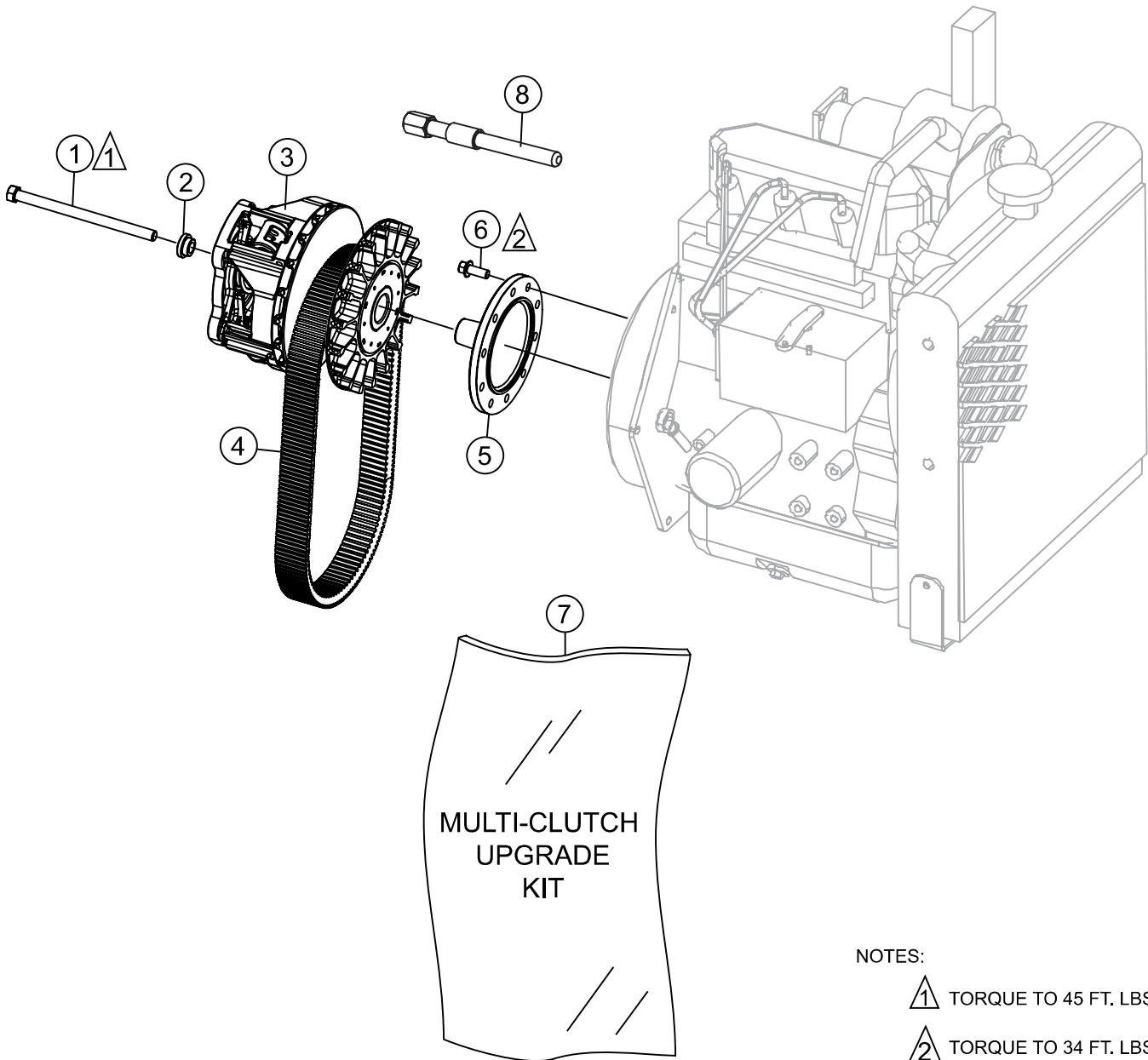
ENGINE CLUTCH ASSY. (OLD STYLE)

<u>NO.</u>	<u>PART NO.</u>	<u>PART NAME</u>	<u>QTY.</u>	<u>REMARKS</u>
1	20138	BELT, CVT-VANGUARD COMET	2	
2	3911758	FLYWHEEL STUB, B& S #835020	1	
3	20046	SCREW, HHC M8 1.25 X 25 MM GRADE 10.9	5	
4		CLUTCH, CVT 1-7/16 COMET MTLAST.....1.....	1	NO LONGER AVAILABLE USE CLUTCH KIT P/N 22581 TO UPGRADE TO MULTI-CLUTCH SYSTEM
5	20215	SPACER, 1.415 OD X 21/32 ID X 2-1/16L	1	
6	4703	WASHER, LOCK, 5/8 MED	1	
7	20057	SCREW, HHC 5/8-18 X4	1	
8	0161 C	WASHER, LOCK 5/16 MED	5	
9	23291	TOOL, CLUTCH REMOVAL	1	



MULTI-CLUTCH COMPONENTS ARE NOT INTERCHANGEABLE WITH THE PRIOR HOFFCO COMET DRIVE SYSTEM. THE HOFFCO COMET CVT SYSTEM MUST BE REPLACED FOR COMPATIBILITY WITH THE NEW EQUIPMENT.

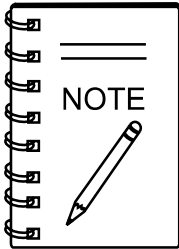
HHN 34TVD — ENGINE CLUTCH ASSY. (NEW STYLE)



HHN 34TVD — ENGINE CLUTCH ASSY. (NEW STYLE)

ENGINE CLUTCH ASSY. (NEW STYLE)

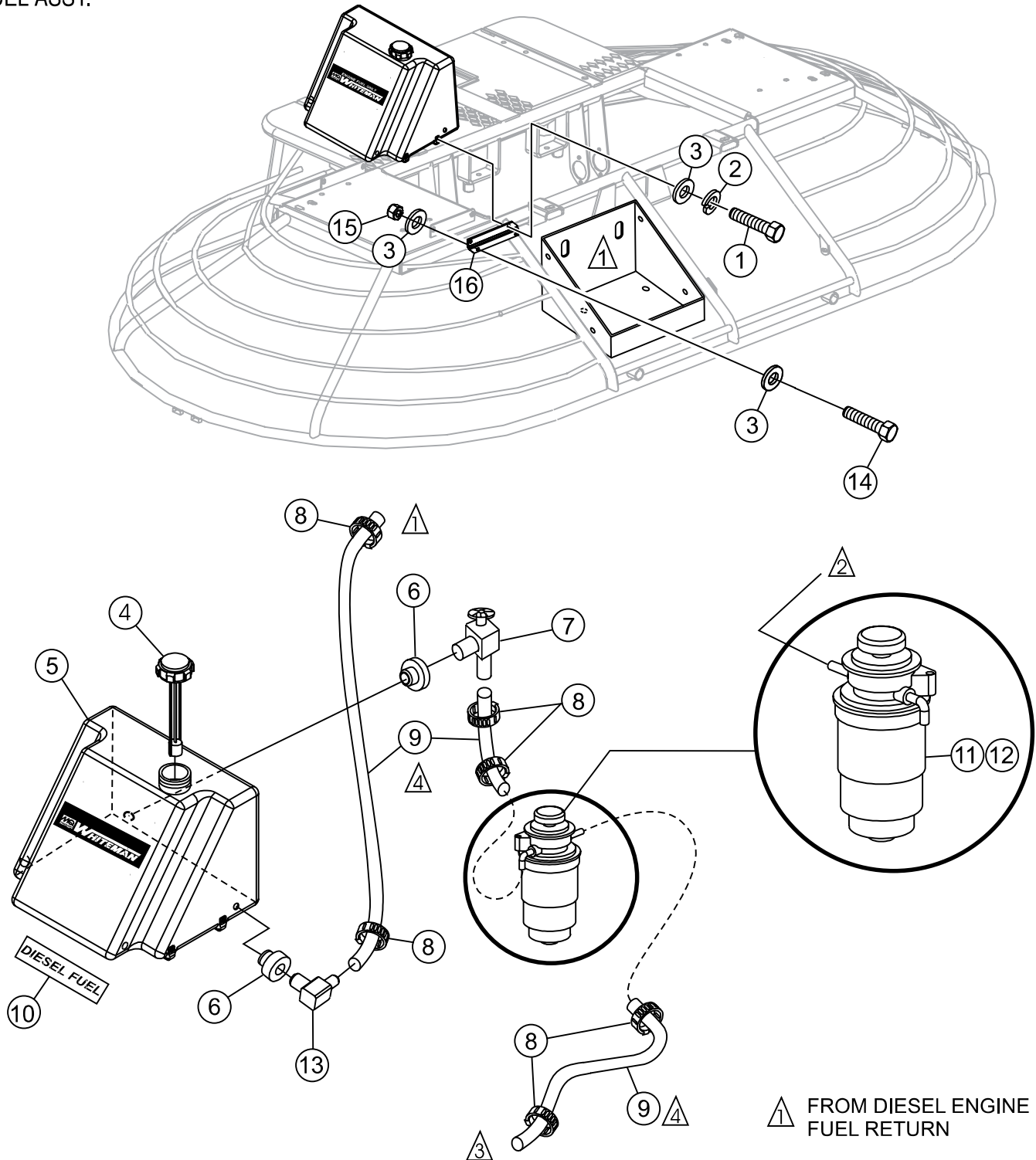
<u>NO.</u>	<u>PART NO.</u>	<u>PART NAME</u>	<u>QTY.</u>	<u>REMARKS</u>
1	23377	SCREW, HHC 7/16-20 X 6.5	1	
2	23369	WASHER, STEP 7/16	1	
3	23363-1	CLUTCH, UPPER, MULTI-CLUTCH	1	
4	23365	BELT, CVT CLUTCH	2	
5	23368	STUB SHAFT	1	
6	22021	SCREW, HEX FLANGE M8	5	
7	22581	KIT, HHN CVT REPLACEMENT	1	
8	23371	PULLER, MULTI-CLUTCH	1	



MULTI-CLUTCH COMPONENTS ARE NOT INTERCHANGEABLE WITH THE PRIOR HOFFCO COMET DRIVE SYSTEM. THE HOFFCO COMET CVT SYSTEM MUST BE REPLACED FOR COMPATIBILITY WITH THE NEW EQUIPMENT.

HHN 34TVD — FUEL ASSY.

FUEL ASSY.



△1 FROM DIESEL ENGINE FUEL RETURN

△2 TO DIESEL ENGINE.
(DIESEL FUEL FILTER/
WATER SEPARATOR.)

△3 TO FUEL INJECTORS.

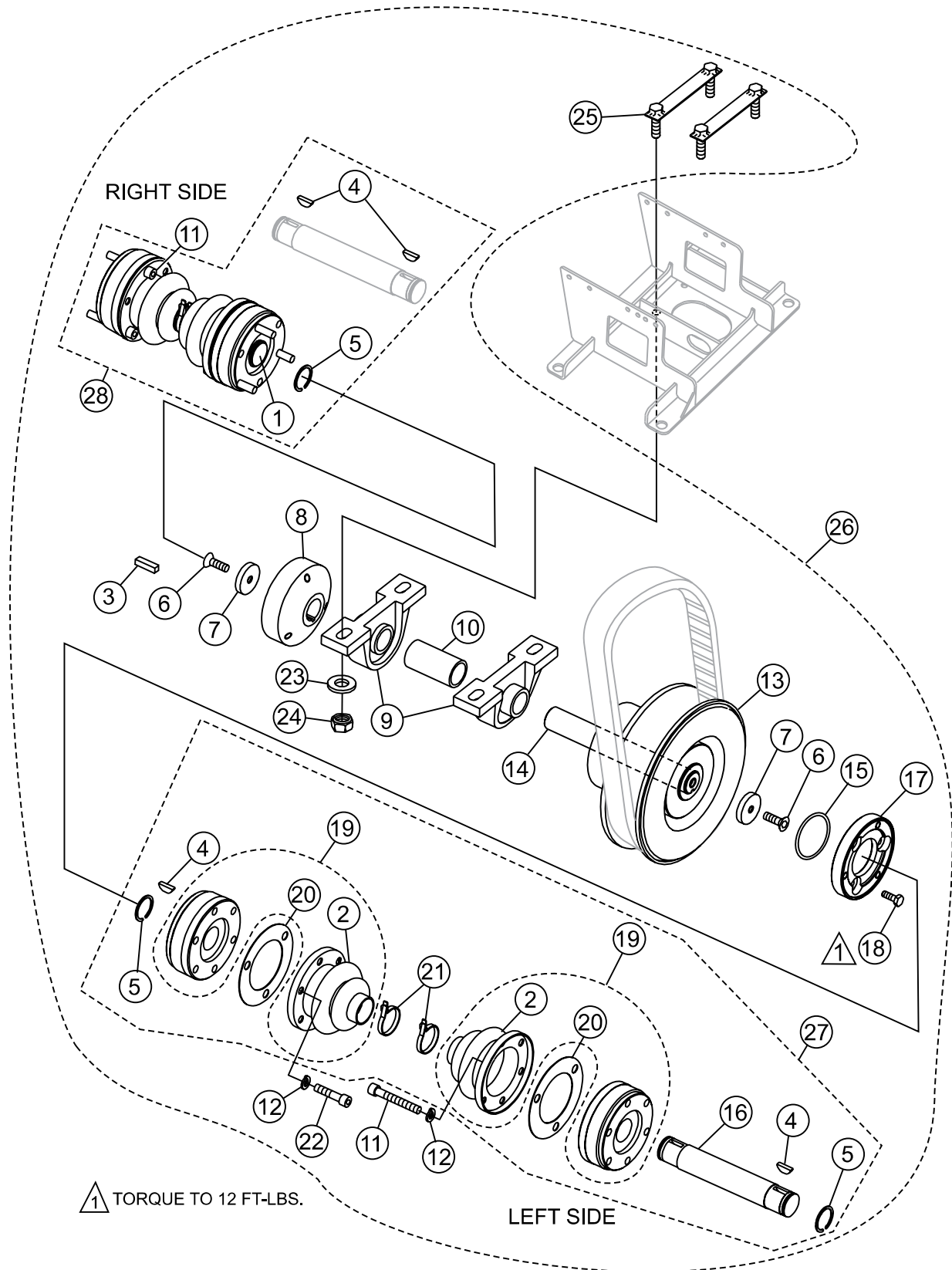
△4 CUT TO FIT.

FUEL ASSY.

<u>NO.</u>	<u>PART NO.</u>	<u>PART NAME</u>	<u>QTY.</u>	<u>REMARKS</u>
1	4514	SCREW, HHC 1/4-20 X 5/8	4.....	OLD STYLE COMET CLUTCH
1	1579	SCREW, HHC 1/4-20 X .5	4.....	NEW STYLE MULTI-CLUTCH
2	0161 C	WASHER, LOCK, 5/16 MED.....	4.....	OLD STYLE COMET CLUTCH
3	0948	WASHER, FLAT, 1/4 SAE	4.....	OLD STYLE COMET CLUTCH
3	0948	WASHER, FLAT 1/4 SAE	12.....	NEW STYLE MULTI-CLUTCH
4	11418	FUEL CAP/GAUGE (10.5")	1	
5	20292	TANK, FUEL DIESEL	1	
6	19633	BUSHING, RUBBER FUEL DAPCO10672	2	
7	20795	VALVE , SCREENED DAPCO 12570	1	
8	19473	CLAMP, WORM HOSE, #4 (1/4-5/8)	8	
9	60013	HOSE, .25 ID RUBBER FUEL LINE	6.....	SOLD IN FOOT LENGTHS
10	11811	DECAL, DIESEL FUEL	1	
11	825219	FUEL FILTER COMPLETE	1	
12	820311	FUEL FILTER ELEMENT ONLY	1	
13	12007	FITTING, 90 4BARB-4BARB FUEL	1	
14	0131 A	SCREW, HHC 1/4-20 X 3/4	4.....	NEW STYLE MULTI-CLUTCH
15	10024	NUT, NYLOC 1/4-20	4.....	NEW STYLE MULTI-CLUTCH
16	22588	MOUNT, FUEL TANK.....	1.....	NEW STYLE MULTI-CLUTCH

HHN 34TVD — DRIVE ASSY. (OLD STYLE)

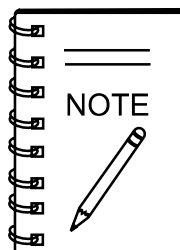
DRIVE ASSY. (OLD STYLE)



HHN 34TVD — DRIVE ASSY. (OLD STYLE)

DRIVE ASSY. (OLD STYLE)

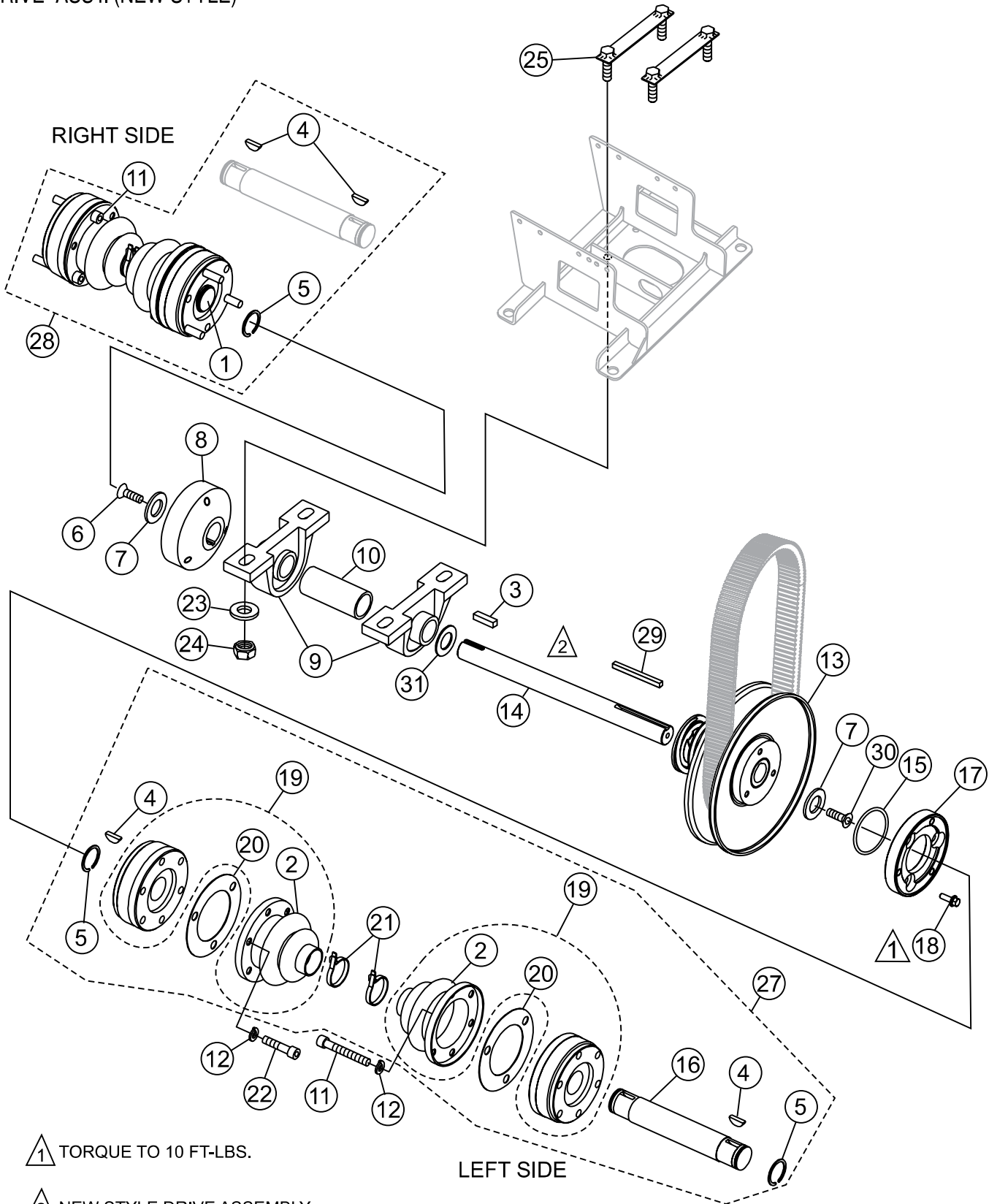
<u>NO.</u>	<u>PART NO.</u>	<u>PART NAME</u>	<u>QTY.</u>	<u>REMARKS</u>
1 #@\$	2043	SHAFT, CV JOINT BRT, 9-5/8 LONG	1	
2%#@\$	2259	BOOT, C.V. JOINT	4	
3 #	10909	KEY, 3/16 X 11/16	1	
4 #@\$	0126	KEY, WOODRUFF #9	4	
5 #@\$	2090	RING, SNAP TRUARC #5100- 106	4	
6 #	1146	SCREW, FHSC 5/16- 18 X 1 NYLOC	2	
7 #	2037	WASHER, RETAINING	2	
8 #	2029	COUPLER, 1 ID. RIDER	1	
9 #	10337	BEARING, PILLOW BLOCK FAF YAK- 1	2	
10 #	20044	SPACER, BEARING SHAFT	1	
11 #	2186	SCREW, SHC 5/16-18 X 2-1/4 PLTD	9	
12 #	0161 C	WASHER, LOCK, 5/16 MEDIUM	12	
13 #	21475	PULLEY, CVT LOWER	1	
14 #	20043	SHAFT, DRIVE BEARING	1	
15 #	20116	O-RING, SIZE- 031 BUNA N	1	
16 #	20184	SHAFT, CV JOINT, HHN 7-13/16 LONG	1	
17 #	12590	COUPLER, CV JOINT COMET CLUTCH	1	
18 #	20056	SCREW, HHC 1/4- 28 X 3/4 GRD. 8	3	
19 #@\$	2052	JOINT, CV W/BOOT.....	4	INCLUDES ITEM W/%
20 #@\$	11108	GASKET, CV JOINT BOOT	4	
21 #@\$	1662	TIE, CABLE TY-RAP	4	
22 #	0243	SCREW, SHC 5/16- 18 X 1-3/4	3	
23 #	10136	WASHER, FLAT 3/8 SAE	4	
24 #	10133	NUT, NYLOC 3/8 - 16	4	
25 #	20186	PLATE, BEARING MOUNT	2	
26	21493	DRIVE ASSY., W/ COMET 34V TD.....	1	INCLUDES ITEMS W/#
27#	23450	CV JOINT ASSY, RH	1	INCLUDES ITEMS W/@
28#	23451	CV JOINT ASSY, LH.....	1	INCLUDES ITEMS W/\$



MULTI-CLUTCH COMPONENTS ARE NOT INTERCHANGEABLE WITH THE PRIOR HOFFCO COMET DRIVE SYSTEM. THE HOFFCO COMET CVT SYSTEM MUST BE REPLACED FOR COMPATIBILITY WITH THE NEW EQUIPMENT.

HHN 34TVD — DRIVE ASSY. (NEW STYLE)

DRIVE ASSY. (NEW STYLE)



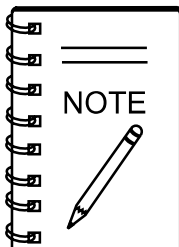
1 TORQUE TO 10 FT-LBS.

2 NEW STYLE DRIVE ASSEMBLY
MUST BE INSTALLED PER
INSTRUCTION SHEET, P/N 23444,

HHN 34TVD — DRIVE ASSY. (NEW STYLE)

DRIVE ASSY. (NEW STYLE)

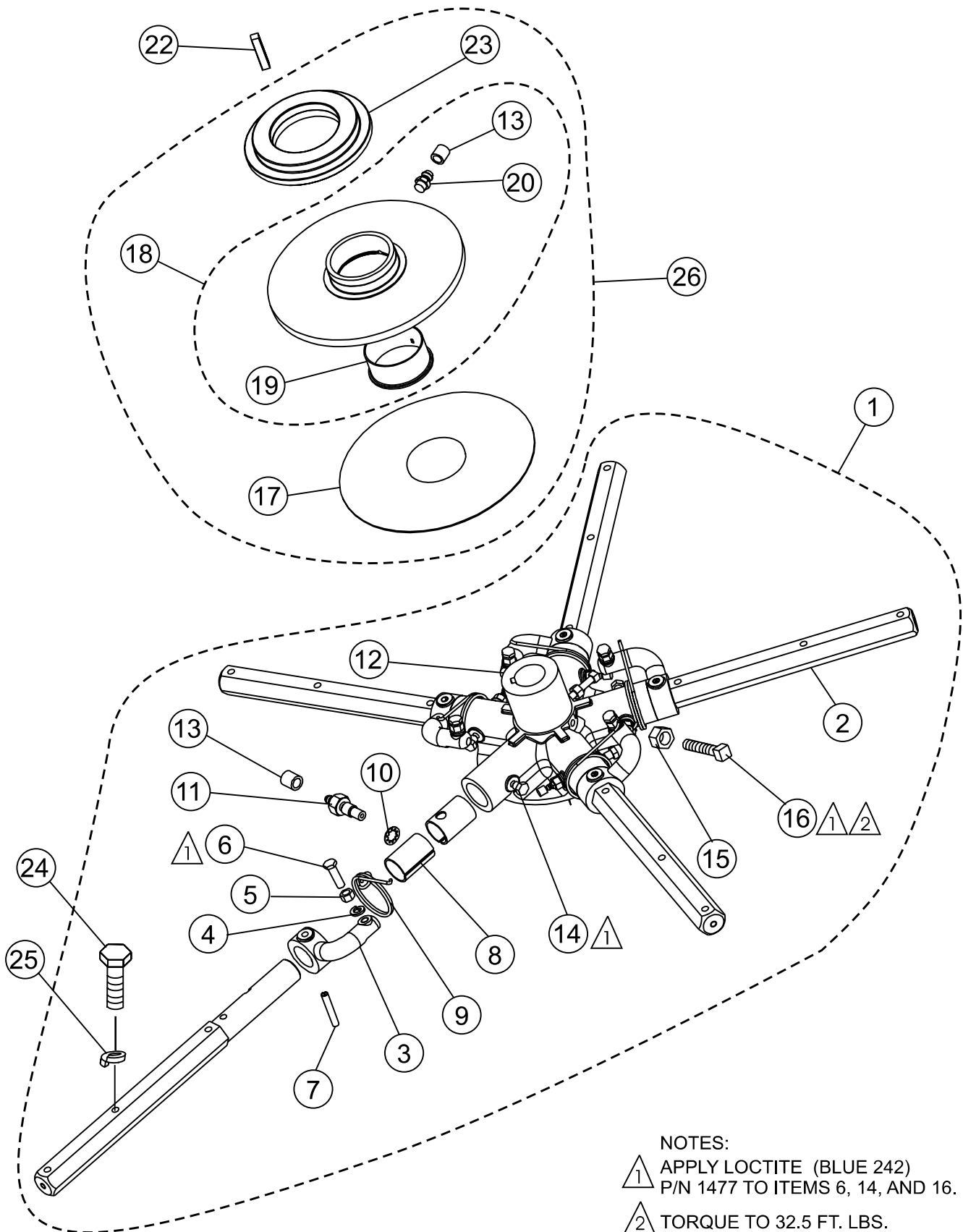
<u>NO.</u>	<u>PART NO.</u>	<u>PART NAME</u>	<u>QTY.</u>	<u>REMARKS</u>
1 @\$	2043	SHAFT, CV JOINT BRT, 9-5/8 LONG	1	
2%@\$	2259	BOOT, C.V. JOINT	4	
3	10909	KEY, 3/16 X 11/16	1	
4 @\$	0126	KEY, WOODRUFF #9	4	
5 @\$	2090	RING, SNAP TRUARC #5100- 106	4	
6	1146	SCREW, FHSC 5/16- 18 X 1 NYLOC	1	
7	2037	WASHER, RETAINING	2	
8	2029	COUPLER, 1 ID. RIDER	1	
9	10337	BEARING, PILLOW BLOCK FAF YAK- 1	2	
10	23431	SPACER, 1.25DIA X 1.01ID X 4.81	1	
11	2186	SCREW, SHC 5/16-18 X 2-1/4 PLTD	9	
12	0161 C	WASHER, LOCK, 5/16 MEDIUM	12	
13	23363-2	PULLEY, CVT DRIVEN LOWER	1	
14	23430	SHAFT, DRIVE BEARING 1.00 x 12.5	1	
15	20116	O-RING, SIZE- 031 BUNA N	1	
16	20184	SHAFT, CV JOINT, HHN 7-13/16 LONG	1	
17	23433	COUPLER, CV JOINT CCVT	1	
18	9165	SCREW, HHFS 1/4-28 X 3/4 GR5 PATCH	3	
19 @\$	2052	JOINT, CV W/BOOT.....	4	INCLUDES ITEM W/%
20 @\$	11108	GASKET, CV JOINT BOOT	4	
21 @\$	1662	TIE, CABLE TY-RAP	4	
22	0243	SCREW, SHC 5/16- 18 X 1-3/4	3	
23	10136	WASHER, FLAT 3/8 SAE	4	
24	10133	NUT, NYLOC 3/8 - 16	4	
25	20186	PLATE, BEARING MOUNT	2	
27	23450	CV JOINT ASSY, RH.....	1	INCLUDES ITEMS W/@
28	23451	CV JOINT ASSY, LH.....	1	INCLUDES ITEMS W/\$
29	20363	KEY, REC .188 X .25 X 2.5	1	
30	9092	SCREW, FHSC 5/8-18X1.25 NYLON	1	
31	11773	SHIM, .031"	A/R	



MULTI-CLUTCH COMPONENTS ARE NOT INTERCHANGEABLE WITH THE PRIOR HOFFCO COMET DRIVE SYSTEM. THE HOFFCO COMET CVT SYSTEM MUST BE REPLACED FOR COMPATIBILITY WITH THE NEW EQUIPMENT.

HHN 34TVD — 5-BLADE SPIDER ASSY. (LEFT)

5-BLADE SPIDER ASSY. (LEFT)



NOTES:

- 1 △ APPLY LOCTITE (BLUE 242) P/N 1477 TO ITEMS 6, 14, AND 16.
- 2 △ TORQUE TO 32.5 FT. LBS.

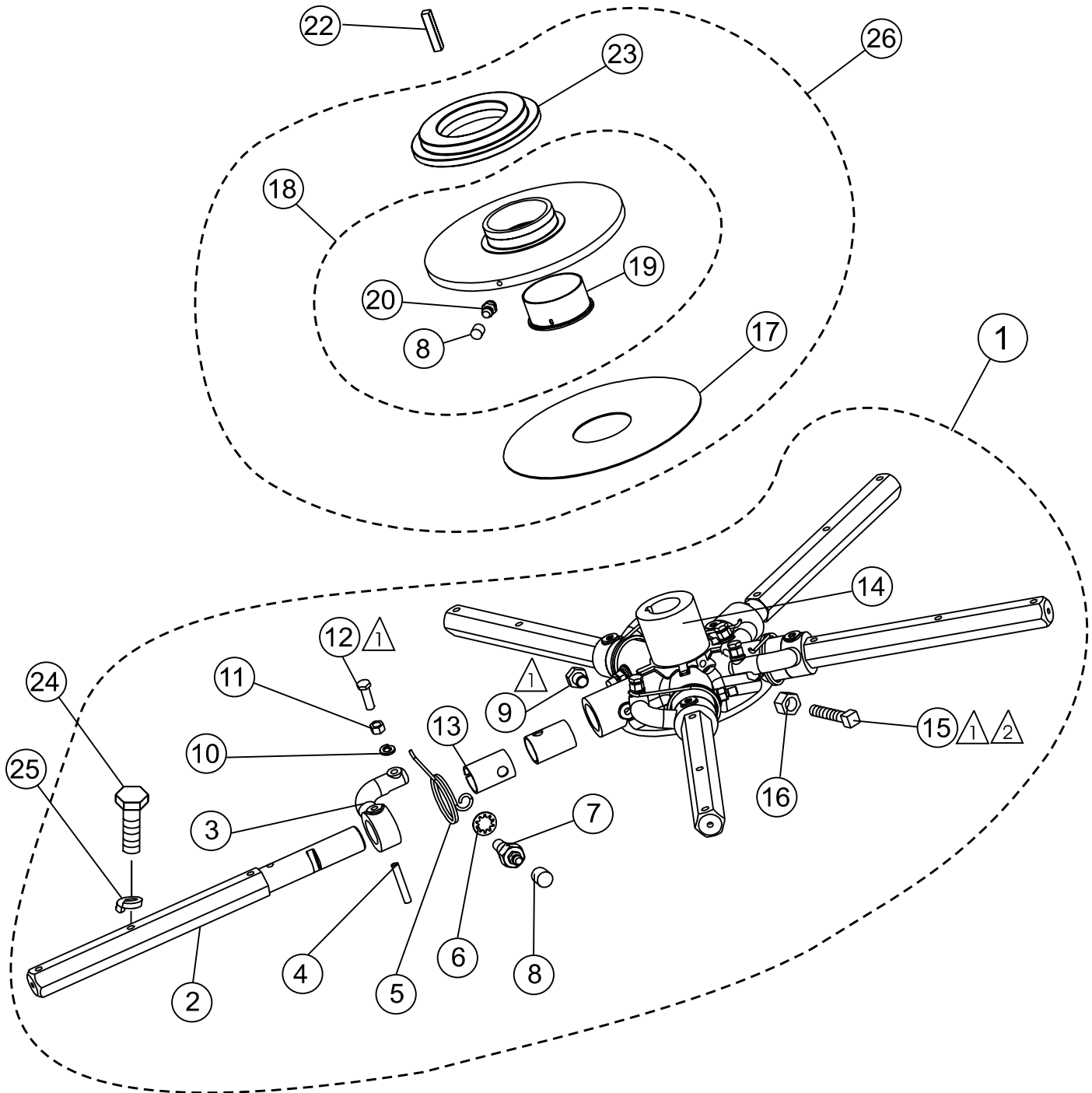
HHN 34TVD — 5-BLADE SPIDER ASSY. (LEFT)

5-BLADE SPIDER ASSY. (LEFT)

<u>NO.</u>	<u>PART NO.</u>	<u>PART NAME</u>	<u>QTY.</u>	<u>REMARKS</u>
1	12932	SPIDER ASSY., LEFT SIDE (1-1/2).....	1	INCLUDES ITEMS W/#
2#	2829	ARM, TROWEL EXTENDED	5	
3#	11903	LEVER, TROWEL ARM LEFT SIDE	5	
4#	0166 A	WASHER, LOCK, 3/8 MED	5	
5#	1876	NUT, HEX JAM 3/8	5	
6#	0164 B	SCREW, HHC	5	
7#	9006	PIN, ROLL 5/16 X 2	5	
8#	11039	BUSHING, 1/2 HD TROWEL ARM	10	REQUIRES 2 BUSHINGS PER ARM
9#	9111	SPRING, LEFT TROWEL	5	
10#	1875	WASHER, INT SHKP 3/8	5	
11#	1322	SCREW ASSY., ARM RETAINING	5	
12#	21208	PLATE, SPIDER 5 BLADE (1-1/2 SHAFT)	1	INCLUDES ITEMS W/%
13@#	1162 A	CAP, GREASE ZERK #2	6	
14@%	11602	SCREW, HHS 3/8-16 X 1/4	5	
15#	1456	NUT, HEX FINISH 3/8 -16	2	
16#	12097	SCREW, SQHS 3/8-16 X 1-3/4 CONE 8	2	
17@	11419	PLATE, WEAR	1	
18@	11431	THRUST COLLAR	1	INCLUDES ITEM W/+
19@+	20426	BUSHING, THRUST COLLAR	1	
20@	2621	FITTING, GREASE	1	
22	12687	KEY, 3/8 X 2	1	
23@	12779	BEARING, THRUST 6017 2RS W/FLANGE	1	
24	0105	SCREW, HHC 5/16-18 X 1-1/2"	15	
25	0161 C	Lock Washer 5/16"	15	
26	20938	THRUST COLLAR ASSY.	1	INCLUDES ITEMS W/@

HHN 34TVD — 5-BLADE SPIDER ASSY. (RIGHT)

5-BLADE SPIDER ASSY. (RIGHT)



NOTES:

① APPLY LOCTITE (BLUE 242)
P/N 1477 TO ITEMS 9, 12, AND 15.

② TORQUE TO 32.5 FT. LBS.

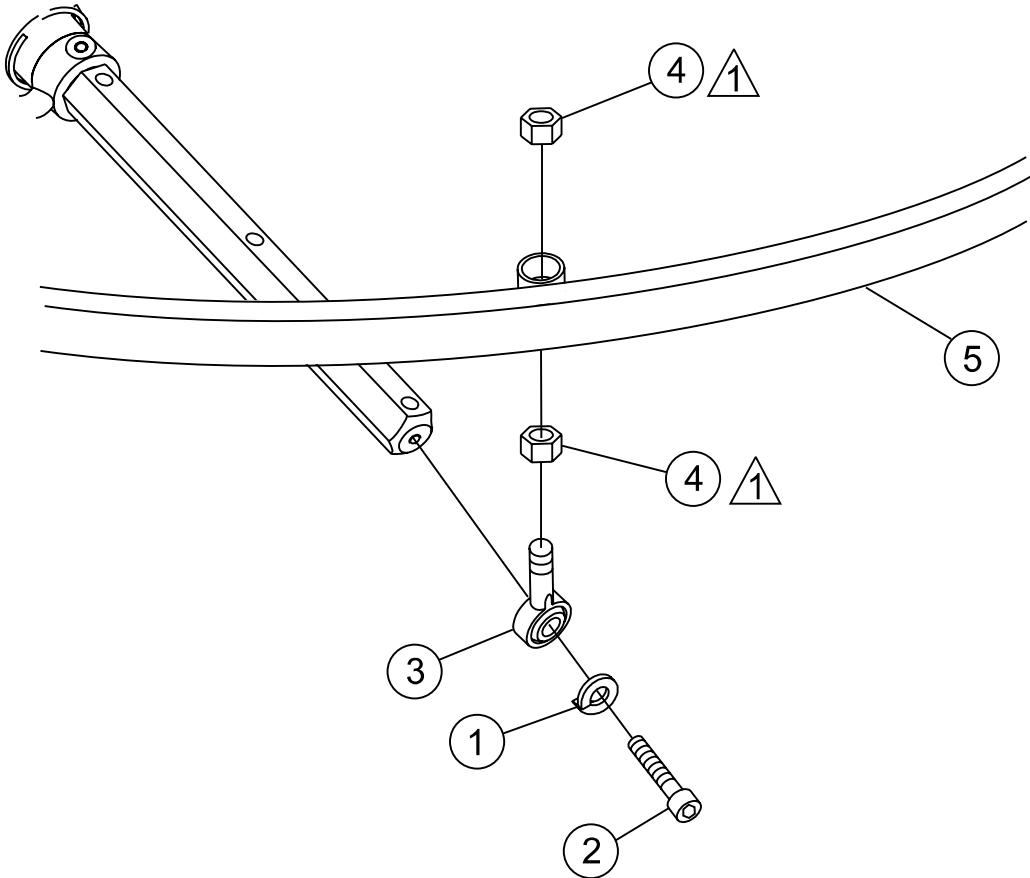
HHN 34TVD — 5-BLADE SPIDER ASSY. (RIGHT)

5-BLADE SPIDER ASSY. (RIGHT)

NO.	PART NO.	PART NAME	QTY.	REMARKS
1	12933	SPIDER ASSY., RIGHT SIDE (1-1/2)	1.....	INCLUDES ITEMS W/#
2#	2829	ARM, TROWEL EXTENDED	5	
3#	11904	LEVER, TROWEL ARM RIGHT SIDE	5	
4#	9006	PIN, ROLL 5/16 X 2	5	
5#	2143	SPRING, RIGHT TROWEL	5	
6#	1875	WASHER, INT SHKP 3/8	5	
7#	1322	SCREW ASSY., ARM RETAINING	5	
8@#	1162 A	CAP, GREASE ZERK #2	6	
9 #%	11602	SCREW, SHS 3/8-16 X 1/4	5	
10#	0166 A	WASHER, LOCK, 3/8 MED	5	
11#	1876	NUT, HEX JAM 3/8	5	
12#	0164 B	SCREW, HHC	5	
13#	11039	BUSHING, 1/2 HD TROWEL ARM	10	REQUIRES 2 BUSHINGS PER ARM
14#	21208	PLATE, SPIDER 5 BLADE (1-1/2 SHAFT)	1.....	INCLUDES ITEMS W/%
15#	12097	SCREW, SQHS 3/8-16 X 1-3/4 CONE 8	2	
16#	1456	NUT, HEX FINISH 3/8 -16	2	
17@	11419	PLATE, WEAR	1	
18@	11431	THRUST COLLAR	1.....	INCLUDES ITEM W/+
19@+	20426	BUSHING, THRUST COLLAR	1	
20@	2621	FITTING, GREASE	1	
22	12687	KEY, 3/8 X 2	1	
23@	12779	BEARING, THRUST 6017 2RS W/FLANGE	1	
24	0105	SCREW, HHCS 5/16-18 X 1-1/2"	15	
25	0161 C	Lock Washer 5/16"	15	
26	20938	THRUST COLLAR ASSY.	1.....	INCLUDES ITEMS W/@

HHN 34TVD — STABILIZER RING ASSY.

STABILIZER ASSY.



▲ 1 APPLY LOCTITE 242 BLUE OR EQUIVALENT.

HHN 34TVD — STABILIZER RING ASSY.

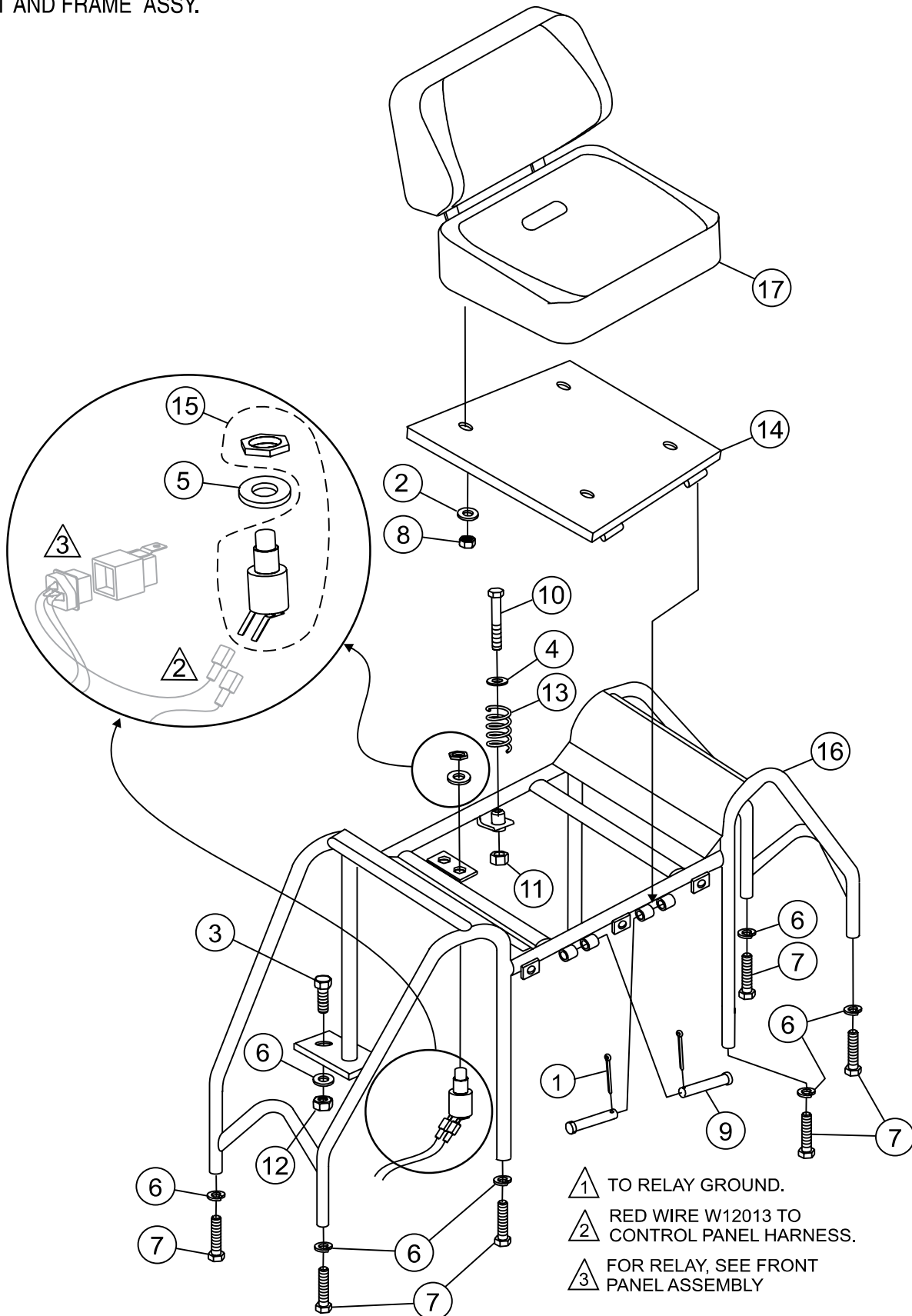
STABILIZER ASSY.

<u>NO.</u>	<u>PART NO.</u>	<u>PART NAME</u>	<u>QTY.</u>	<u>REMARKS</u>
1	0161 C	LOCK WASHER 5/16"	5	
2	1237	SCREW, SHC 5/16-18 X 7/8	5	
3	1723	ROD END, 5/16-24 MALE	5	
4	6014 C	NUT, HEX FINISH 5/16-24	10	
5	12095	RING, STAB, 5 BLADE	1	

NOTE: INDICATED QUANTITIES ARE FOR ONE SIDE ONLY.
IF ORDERING FOR BOTH SIDES DOUBLE QUANTITY.

HHN 34TVD — SEAT AND FRAME ASSY.

SEAT AND FRAME ASSY.



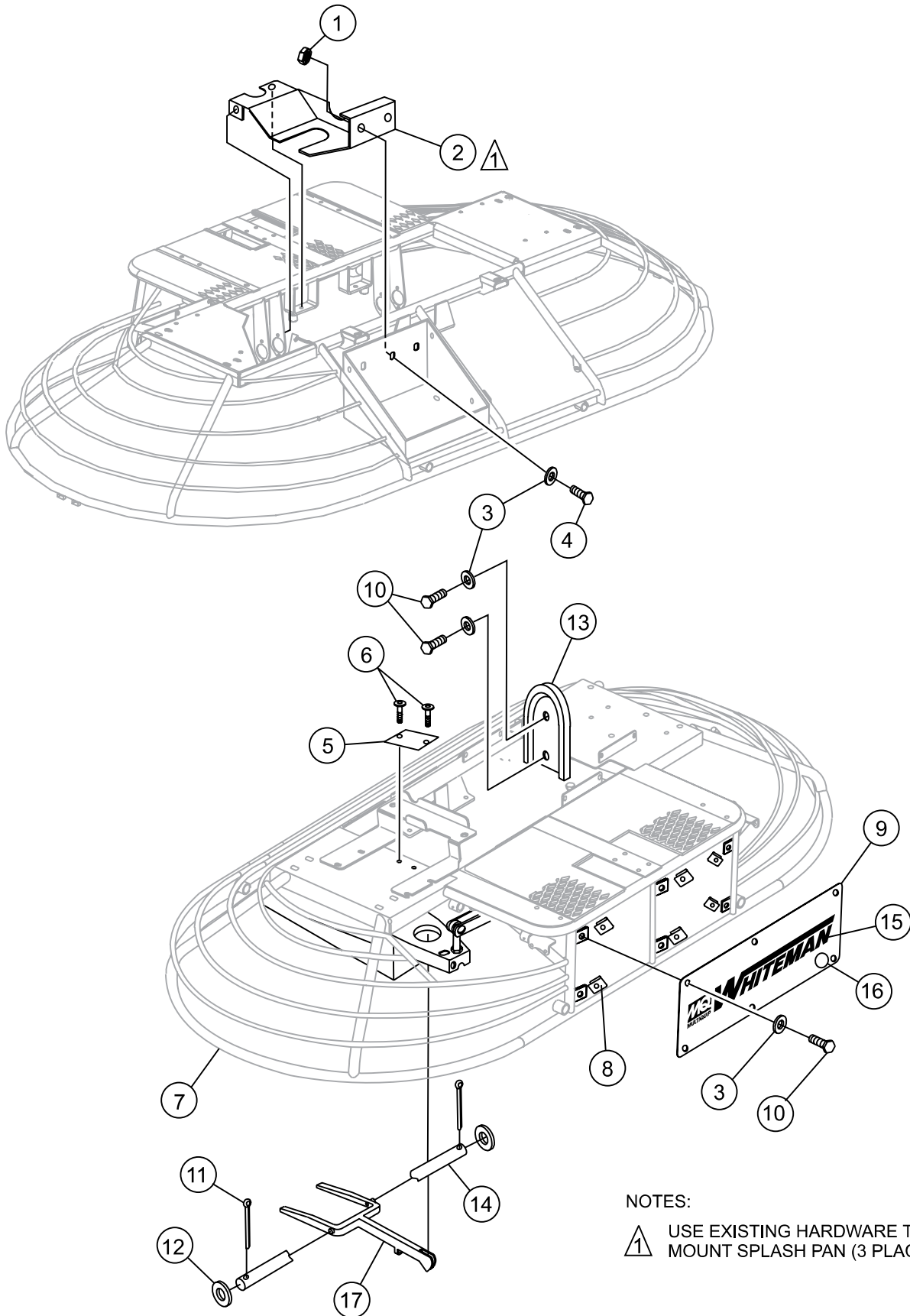
HHN 34TVD — SEAT AND FRAME ASSY.

SEAT AND FRAME ASSY.

<u>NO.</u>	<u>PART NO.</u>	<u>PART NAME</u>	<u>QTY.</u>	<u>REMARKS</u>
1	0183	PIN, COTTER 1/8 X1-1/4	2	
2	0300 B	WASHER, FLAT, 5/16 SAE	4	
3	3214	SCREW, HHC 1/2 - 13 X 1-1/4	2	
4	4001	WASHER, FLAT, 3/8 USS PLD	1	
5	4684	WASHER, FLAT SAE 5/8 PLTD	1	
6	5054 A	WASHER, LOCK, 1/2 MED.	8	
7	5218	SCREW, HHC 1/2-13X1 1/2	6	
8	5283	NUT, NYLOC 5/16-18	4	
9	8081	PIN, CLEVIS 1/2X2 3/4	2	
10	8156	SCREW, HHC 3/8-16 X 2-1/2	1	
11	10133	NUT, NYLOC 3/8-16	1	
12	10176	NUT, NYLOC 1/2-13	2	
13	11593	SPRING, SEAT	1	
14	11660	PLATE, SEAT W/A HHN	1	
15	12005	SWITCH, SAFETY STOP	1	SAFETY ITEM
16	12987	FRAME, SEAT	1	
17	20989	SEAT, ADJUSTABLE	1	

HHN 34TVD — FRAME AND COMPONENTS ASSY.

FRAME AND COMPONENTS ASSY.



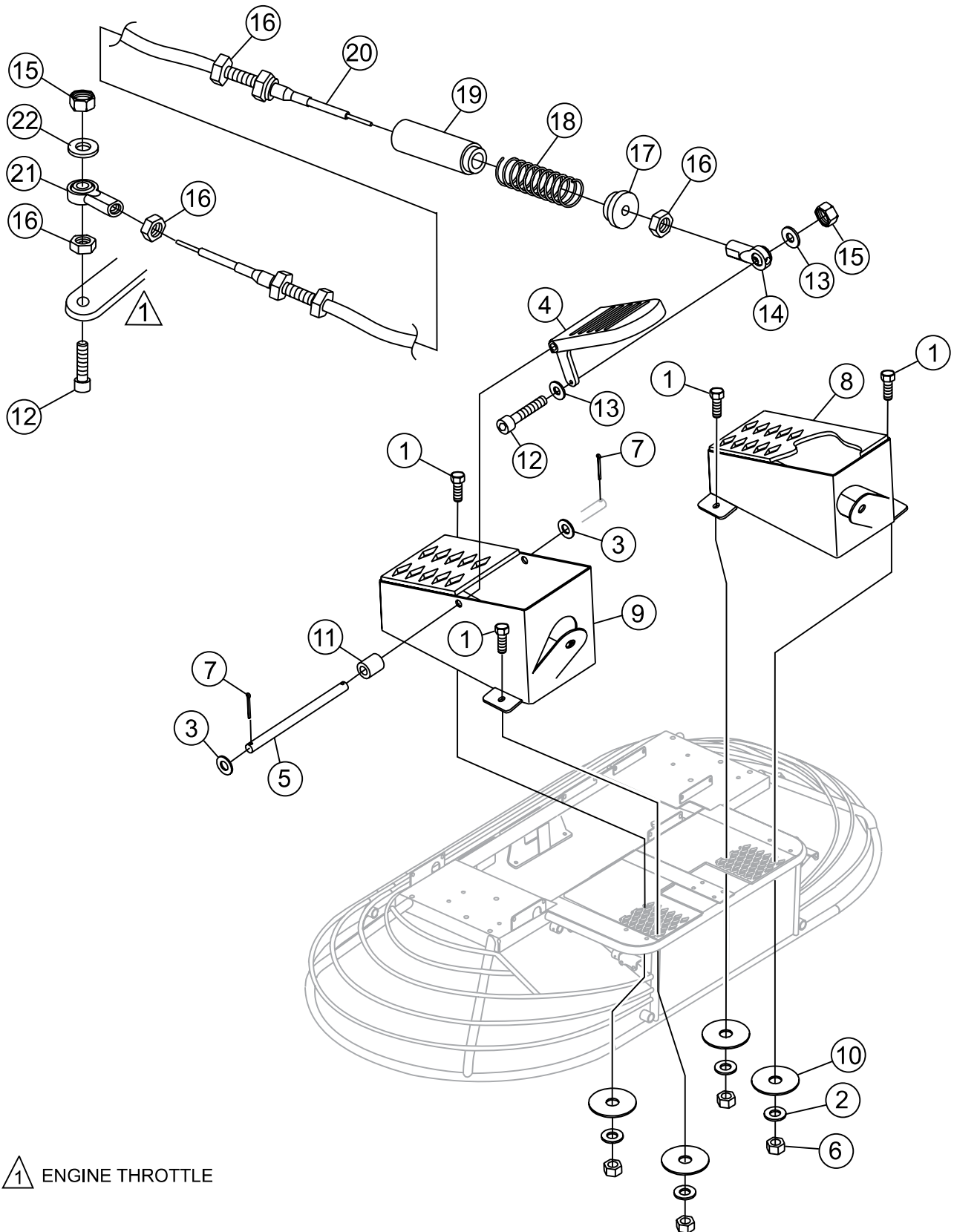
HHN 34TVD — FRAME AND COMPONENTS ASSY.

FRAME AND COMPONENTS ASSY.

<u>NO.</u>	<u>PART NO.</u>	<u>PART NAME</u>	<u>QTY.</u>	<u>REMARKS</u>
1	10024	NUT, NYLOC 1/4 - 20	1	
2	20957	PAN, SPLASH	1	
3	0948	WASHER, FLAT, 1/4 SAE	9	
4	0730	SCREW, HHC 1/4 - 20 X 1	1	
5		PLATE, SERIAL, RIDER	1CONTACT MQ PARTS DEPT.
6	4014	SCREW, 2-3/16 P-K TYPE U DRIVE	2	
7	12896	FRAME , COMPLETE HHN	1	
8	11534	NUT "U" TYPE, 1/4-20	6	
9	20946	PANEL, FRONT BODY	1	
10	4514	SCREW, HHC 1/4-20X5/8	8	
11	0183	PIN COTTER 3/32X3/4	4	
12	0448	WASHER, FLAT, 7/16 SAE	4	
13	2429	HOLDER, SPARE BELT ALL	1	
14	11648	SHAFT, YOKE PIVOT	2	
15	10818	DECAL, MQ WHITEMAN, 24 X 3	1	
16	13118	DECAL, "POWDER COATED"	1	
17	11499	YOKE ARM	2	

HHN 34TVD — FOOT PEDALS ASSY.

FOOT PEDALS ASSY.



HHN 34TVD — FOOT PEDALS ASSY.

FOOT PEDALS ASSY.

<u>NO.</u>	<u>PART NO.</u>	<u>PART NAME</u>	<u>QTY.</u>	<u>REMARKS</u>
1	0202	SCREW, HHC 5/16 - 18 X 1	4	
2	0300 B	WASHER, FLAT, 5/16 SAE	4	
3	10136	WASHER, FLAT, 3/8 SAE	2	
4	2086	PEDAL, ACCELERATOR	1	
5	2772	PIN, ACC MOUNT	1	
6	5283	NUT, NYLOC 5/16 - 18	4	
7	6014 B	PIN, COTTER 3/32 X 1	2	
8	12985	LEFT SIDE FOOT REST	1	
9	12986	RIGHT SIDE FOOT REST	1	
10	3233	WASHER, FENDER, 1.50D X 3/8ID	4	
11	3083	SPACER	1	
12	10018	SCREW, SHC 10-32 X 1 NO PLATE	2	
13	2203	WASHER, FLAT #10	2	
14	2153	ROD END, 10-32 FEMALE RH	2	
15	10019	NUT, NYLOC 10-32	2	
16	0937	NUT, HEX 10-32	3	
17	2755	ADAPTER, THROTTLE RET. SPRING SHORT	1	
18	2753	SPRING, THROTTLE RETURN, LOWER	1	
19	2754	ADAPTER, THROTTLE RET. SPRING LARGE	1	
20	2124	CABLE, THROTTLE (RT)	1	
21	2153	ROD END, 10-32 FEMALE RH	1	
22	0948	WASHER, FLAT 1/4 SAE	1	

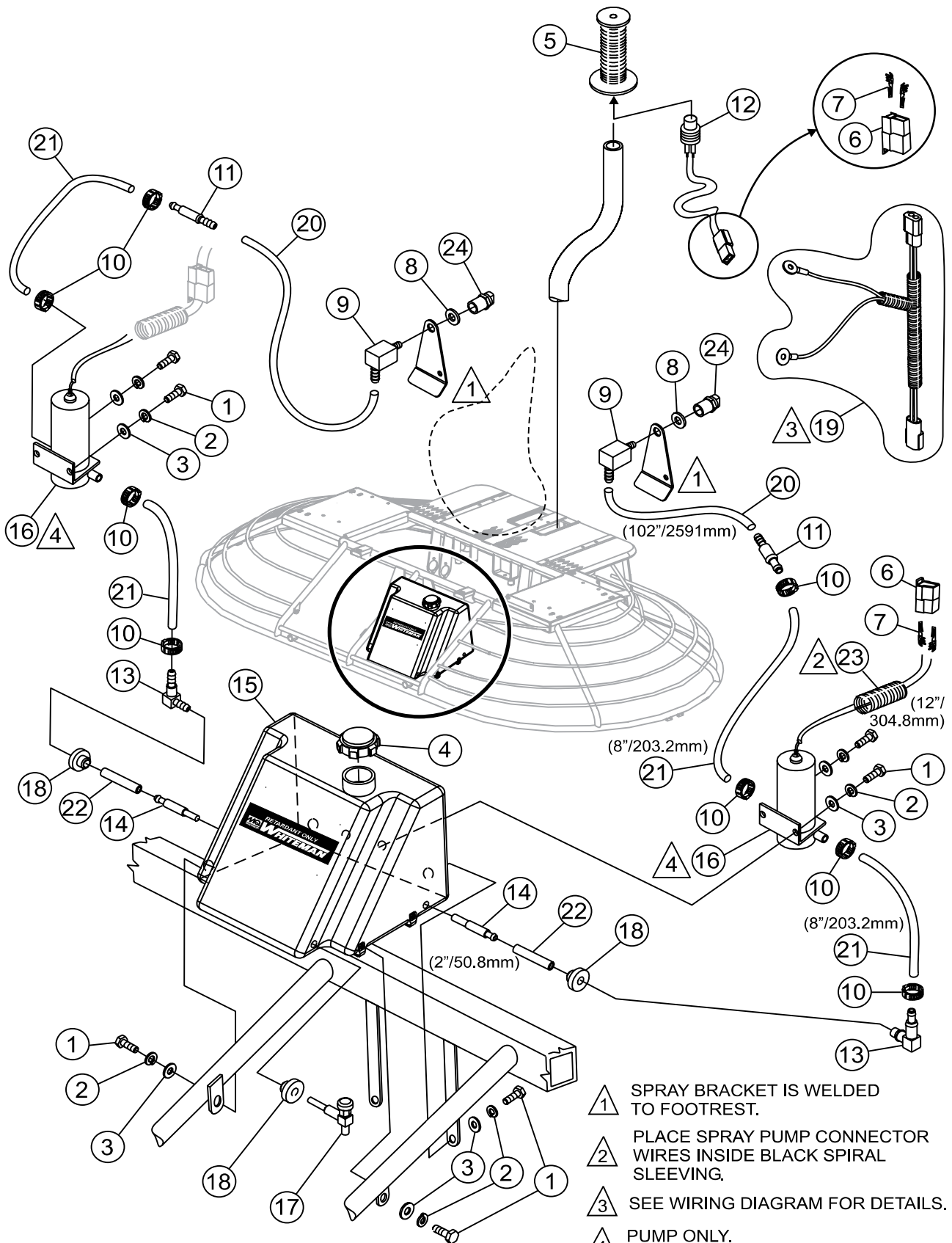
HHN 34TVD — BATTERY ASSY.

BATTERY ASSY.

<u>NO.</u>	<u>PART NO.</u>	<u>PART NAME</u>	<u>QTY.</u>	<u>REMARKS</u>
1	2509	NUT, WING 1/4-20 PLATED	2	
2	10031	WASHER, EXT SHKP, 1/4	2	
3	11692	BRACKET, BATTERY BOX HOLD DOWN	1	
4	11693	BOLT, BATTERY BRKT	2	
5	10318	BATTERY BOX, GROUP 24, W/LID	1	
6		BATTERY, 12V WET GROUP 22	1.....	USE INTERSTATE BATTERY P/N 22F-60
7	0181 B	WASHER, LOCK 1/4 MEDIUM	6	
8	10313	CABLE, NEG BATTERY BLACK 20"	1	
9	19303	CABLE, POS BATTERY RED 48"	1	
10	1662	TIE, CABLE TY-RAP BLACK.....	6.....	AS REQUIRED
11	0949	NUT, HEX FINISH 1/4-20	4	
12	0948	WASHER, FLAT, 1/4SAE	8	
13	13212	GROMMET, 1 - 1/4 ID	1	
14	10024	NUT, NYLOC 1/4-20	4	
15	0730	SCREW, HHC 1/4-20X1	4	
16	11362	BATTERY FRAME BOX	1	

HHN 34TVD — SPRAY ASSY.

SPRAY ASSY.

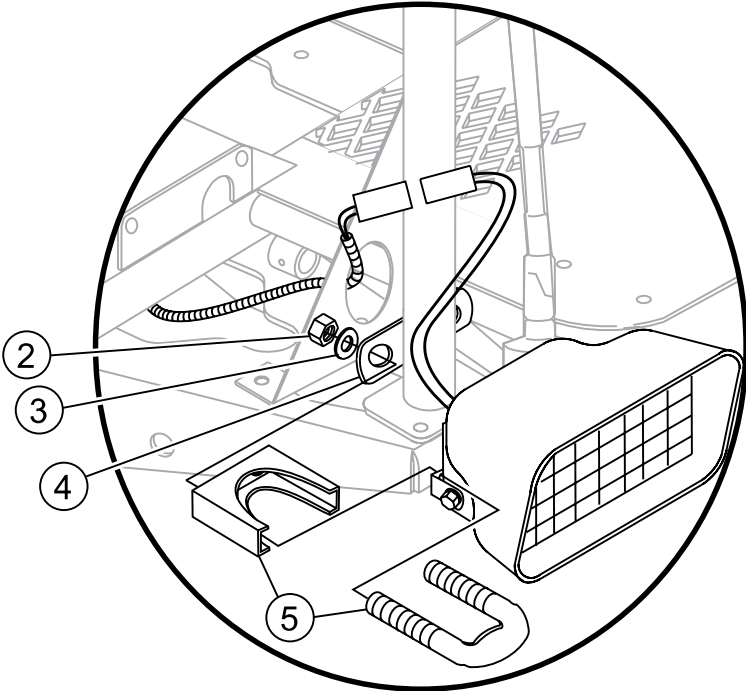
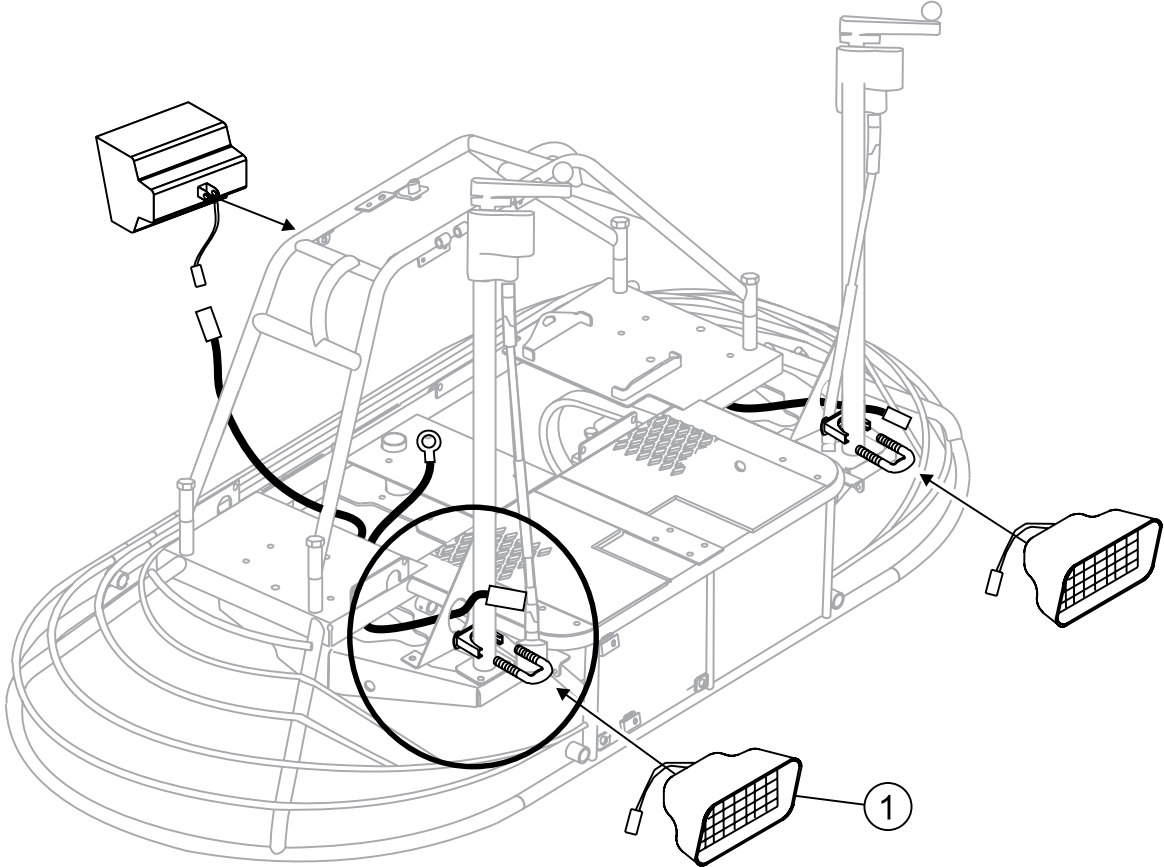


SPRAY ASSY.

<u>NO.</u>	<u>PART NO.</u>	<u>PART NAME</u>	<u>QTY.</u>	<u>REMARKS</u>
1	0131 A	SCREW, HHC 1/4-20 X 3/4	6	
2	0181 B	WASHER, LOCK, 1/4 MED	6	
3	0948	WASHER, FLAT, 1/4 SAE	6	
4	2108	CAP, SPRAY TANK	1	
5	2267	GRIP, HANDLE RT	2	
6	2680	CONNECTOR, 2-WIRE FEMALE	3	
7	2687	TERMINAL, MALE 16-19 GA	6	
8	2898	WASHER, BONDED NEOPRENE 1 X 1/2	2	
9	2912	FITTING, 90 4 BARB -1/4 FP	2	
10	2918	CLAMP, HOSE, 475 - 536 ID	8	
11	10022	FITTING, PLASTIC 6 BARB - 4 BARB	2	
12	11430	SWITCH ASSY., HTO/HTH SPRAY	2	
13	12008	FITTING, 90 6 BARB - 4 BARB FUEL	2	
14	12009	SCREEN, FILTER	2	
15	12403	TANK, RETARDANT 5 GALLON	1	
16	12548	PUMP, SPRAY	2	
17	19661	VALVE, FUEL DRAIN	1	
18	19633	BUSHING, RUBBER FUEL	3	
19	20094	HARNESS, SPRAY PUMP	1	
20	60001	HOSE, .25 ID X .375 OD CLEAR PVC	9	SOLD IN FOOT LENGTHS
21	60002	HOSE, .375 ID X .5 OD TYGON	9	SOLD IN FOOT LENGTHS
22	60058	HOSE, 1/4 X 3/8 PVC FUEL YELLOW 6" LONG	1	SOLD IN FOOT LENGTHS
23	60221	LOOM, .375	1	
24	392292	NOZZLE, SPRAY	1	

HHN 34TVD — LIGHTS ASSY.

LIGHT ASSY.

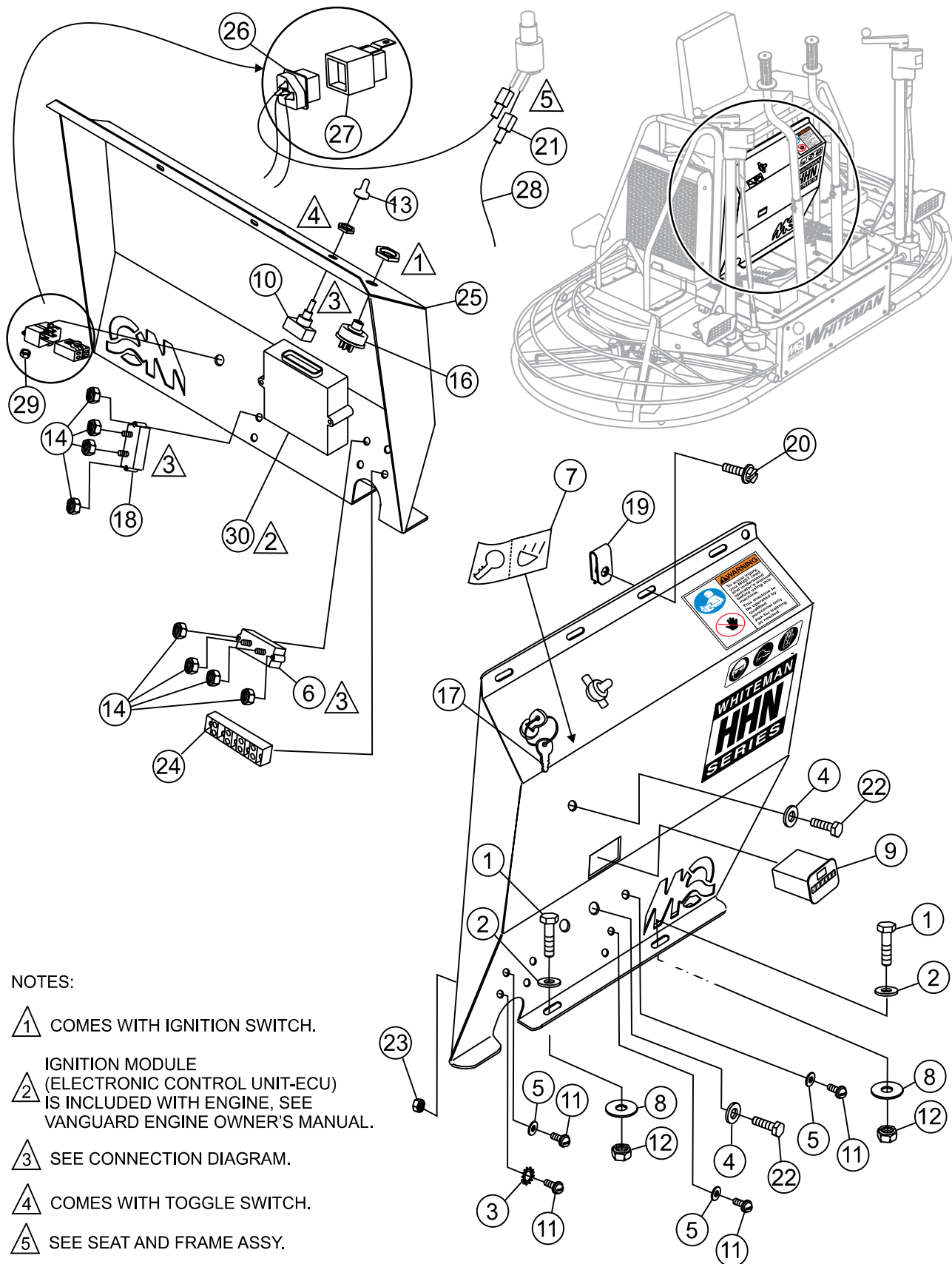


LIGHTS ASSY.

<u>NO.</u>	<u>PART NO.</u>	<u>PART NAME</u>	<u>QTY.</u>	<u>REMARKS</u>
1	2896	LIGHT KIT ASSEMBLY	3.....	SAFETY ITEM
2	5283	NUT, NYLOC 5/16-18	4	
3	0300 B	WASHER, FLAT 5/16 SAE	4	
4	2531	BRACKET, LIGHT SIDE	2	
5	2534	CLAMP ASSY., MUFFLER 1-3/4	2	

HHN 34TVD — FRONT PANEL ASSY.

FRONT PANEL ASSY.



NOTES:

- ▲ 1 COMES WITH IGNITION SWITCH.
- ▲ 2 IGNITION MODULE (ELECTRONIC CONTROL UNIT-ECU) IS INCLUDED WITH ENGINE, SEE VANGUARD ENGINE OWNER'S MANUAL.
- ▲ 3 SEE CONNECTION DIAGRAM.
- ▲ 4 COMES WITH TOGGLE SWITCH.
- ▲ 5 SEE SEAT AND FRAME ASSY.

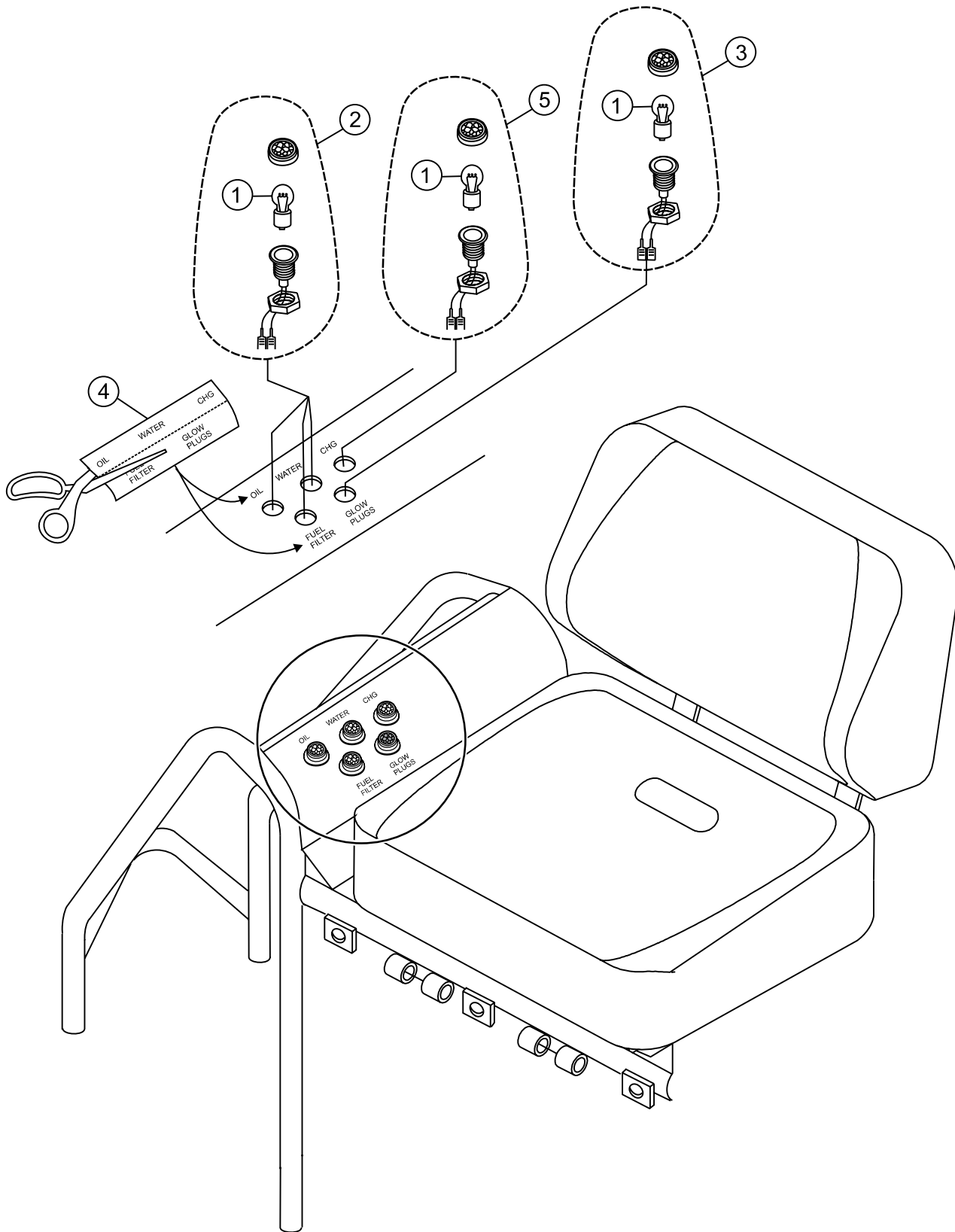
HHN 34TVD — FRONT PANEL ASSY.

FRONT PANEL ASSY.

<u>NO.</u>	<u>PART NO.</u>	<u>PART NAME</u>	<u>QTY.</u>	<u>REMARKS</u>
1	0202	SCREW, HHC 5/16-18 X 1	2	
2	0300 B	WASHER, FLAT, 5/16 SAE	2	
3	0479	WASHER, EXT. SHKP, #8 3/8 PLTD	2	
4	0948	FLAT WASHER 1/4 "	4	
5	2203	WASHER, FLAT, #10	4	
6	2673	CIRCUIT BREAKER, 30A, 12V	1	
7	2814	DECAL, CONTROL PANEL	1	
8	3233	WASHER, FENDER, 1.5 OD X 3/8 ID	2	
9	11694	HOUR METER	1.....	PART OF WIRE HARNESS #21514
10	4682	SWITCH, TOGGLE	1	
11	5065 B	SCREW, RHM 10-32 X 1/2	6	
12	5283	NUT, NYLOC 5/16-18	2	
13	8381	BOOT, TOGGLE SWITCH	1	
14	10019	NUT, NYLOC 10-32	8	
15	10136	WASHER, FLAT, SAE 3/8	2	
16	10958	SWITCH, IGNITION VAN W/KEYS	1	
17	11078	KEY, IGNITION SWITCH	1	
18	11098	CIRCUIT BREAKER, 40A, 12V	1	
19	11534	NUT, "U" TYPE, 1/4-20	4	
20	11819	SCREW, HHC FLNGD 1/4-20 X 3/4	4	
21	12020	TERMINAL, WIRE	4	
22	12287	SCREW, THP 1/4-20 X 3/4-SS	4	
23	16723	NUT, HEX FINISH 8-32	2	
24	19301	TERMINAL STRIP, 10 POLE	.5	
25	21319	PANEL, CONTROL HHN 34VTD	1	
26	12018	RELAY, CONNECTOR	1.....	SAFETY ITEM
27	12017	RELAY, KILL	1.....	SAFETY ITEM
28	12014	WIRE, RELAY GROUND	1	
29	10019	NUT, NYLOC 10-32	1	
30	825572	IGNITION MODULE	1	

HHN 34TVD — TOP RIGHT PANEL ASSY.

TOP RIGHT PANEL ASSY.



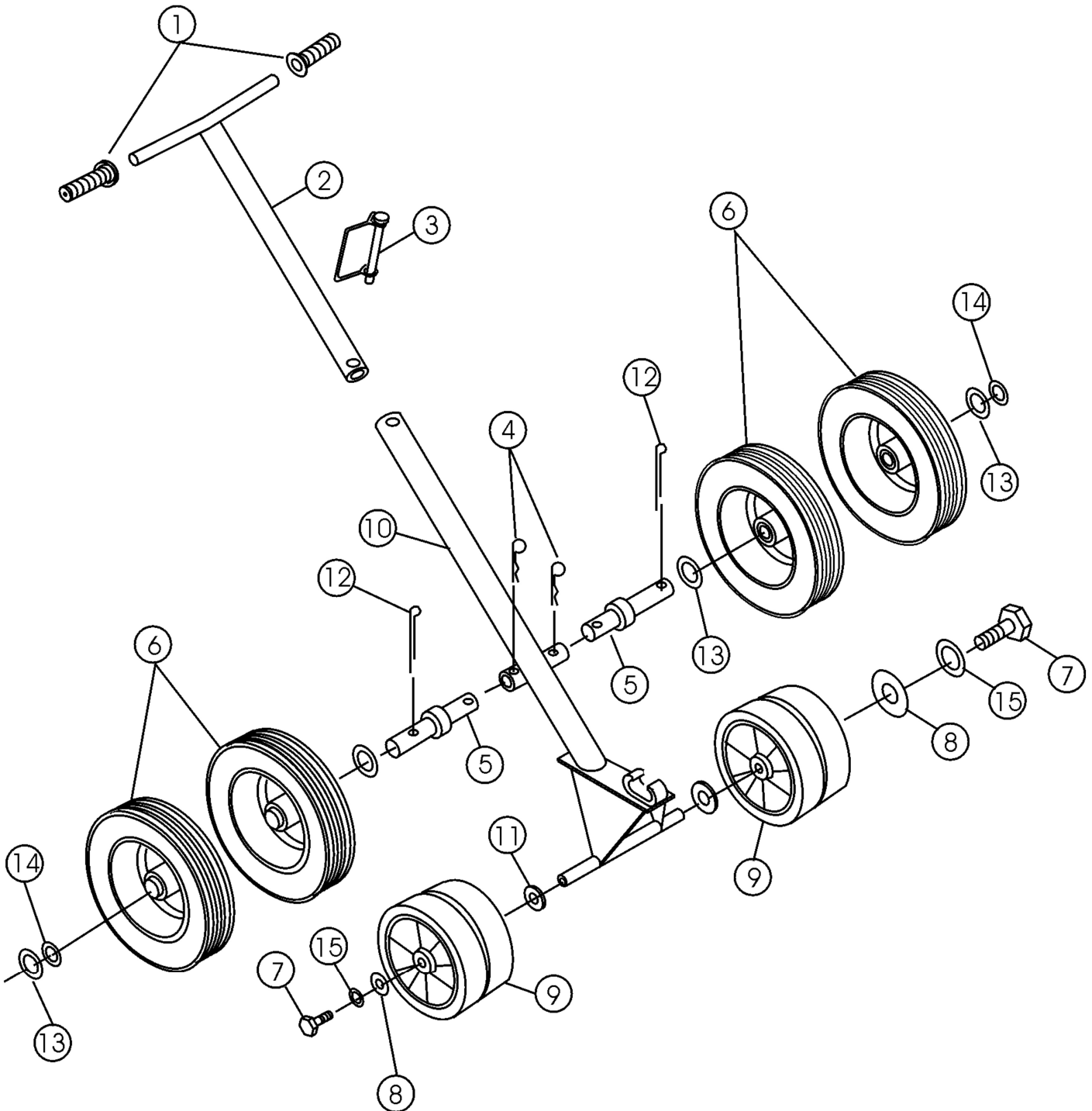
HHN 34TVD — TOP RIGHT PANEL ASSY.

TOP RIGHT PANEL ASSY.

<u>NO.</u>	<u>PART NO.</u>	<u>PART NAME</u>	<u>QTY.</u>	<u>REMARKS</u>
1	12307	BULB, INDICATOR LIGHT	5	
2	22212	PLUG, INDICATOR LIGHT RED	3.....	REPLACES P/N 12305
3	22213	PLUG, INDICATOR LIGHT YELLOW.....	1.....	REPLACES P/N 12306
4	12571	DECAL, INSTRUMENT LIGHT 5 PANEL	1	
5	22270	PLUG, INDICATOR LIGHT RED, CHARGE	1	

HHN 34TVD — E-Z MOVER AND LIFT HANDLE ASSY.

E-Z MOVER (EMR2) AND LIFT HANDLE ASSY.



HHN 34TVD — E-Z MOVER AND LIFT HANDLE ASSY.

E-Z MOVER (EMR2) AND LIFT HANDLE ASSY.

<u>NO.</u>	<u>PART NO.</u>	<u>PART NAME</u>	<u>QTY.</u>	<u>REMARKS</u>
1	0189	HAND GRIP	2	
2	2336	UPPER HANDLE	1	
3	1869	SNAP PIN	1	
4	7170	CLIP	2	
5	11684	DOLLY AXLE	2	
6	10440	WHEEL & TIRE	4	
7	0655	SCREW, HHCS 5/16-18 x 3/4"	2	
8	0300 B	FLAT WASHER 5/16"	2	
9	2364	WHEEL	2	
10	10445	FRAME	1	
11	4684	FLAT WASHER 5/8"	2	
12	0183	COTTER PIN	2	
13	10446	FLAT WASHER 3/4"	8	
14	8151	FLAT WASHER 3/4" SAE	8	
15	0161 C	LOCK WASHER 5/16"	2	

EMR-2 E-Z MOVER ASSY. — PURCHASE THROUGH MQ UNIT SALES DEPT.