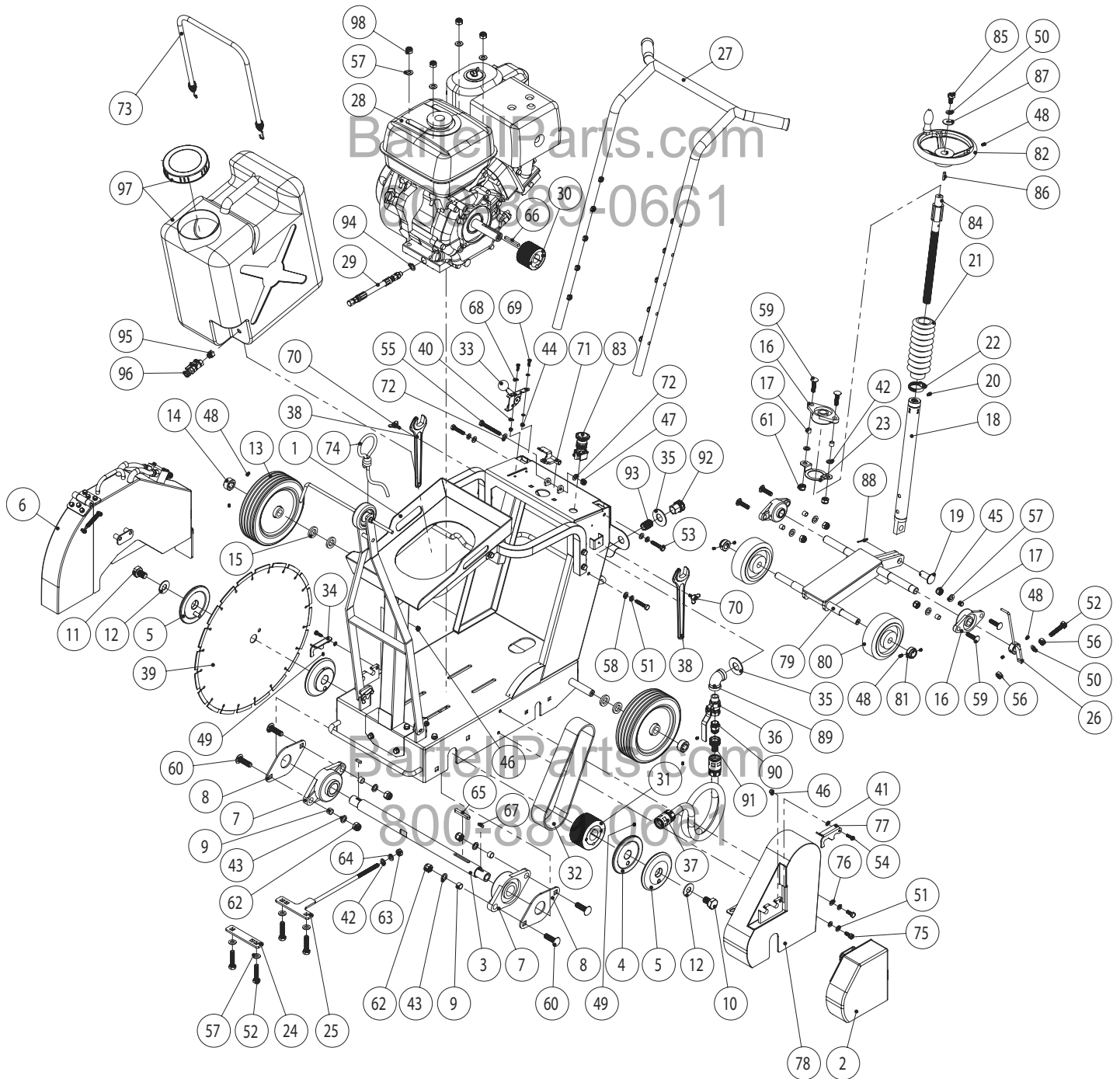


Replacement Parts List

MAIN ASSEMBLY



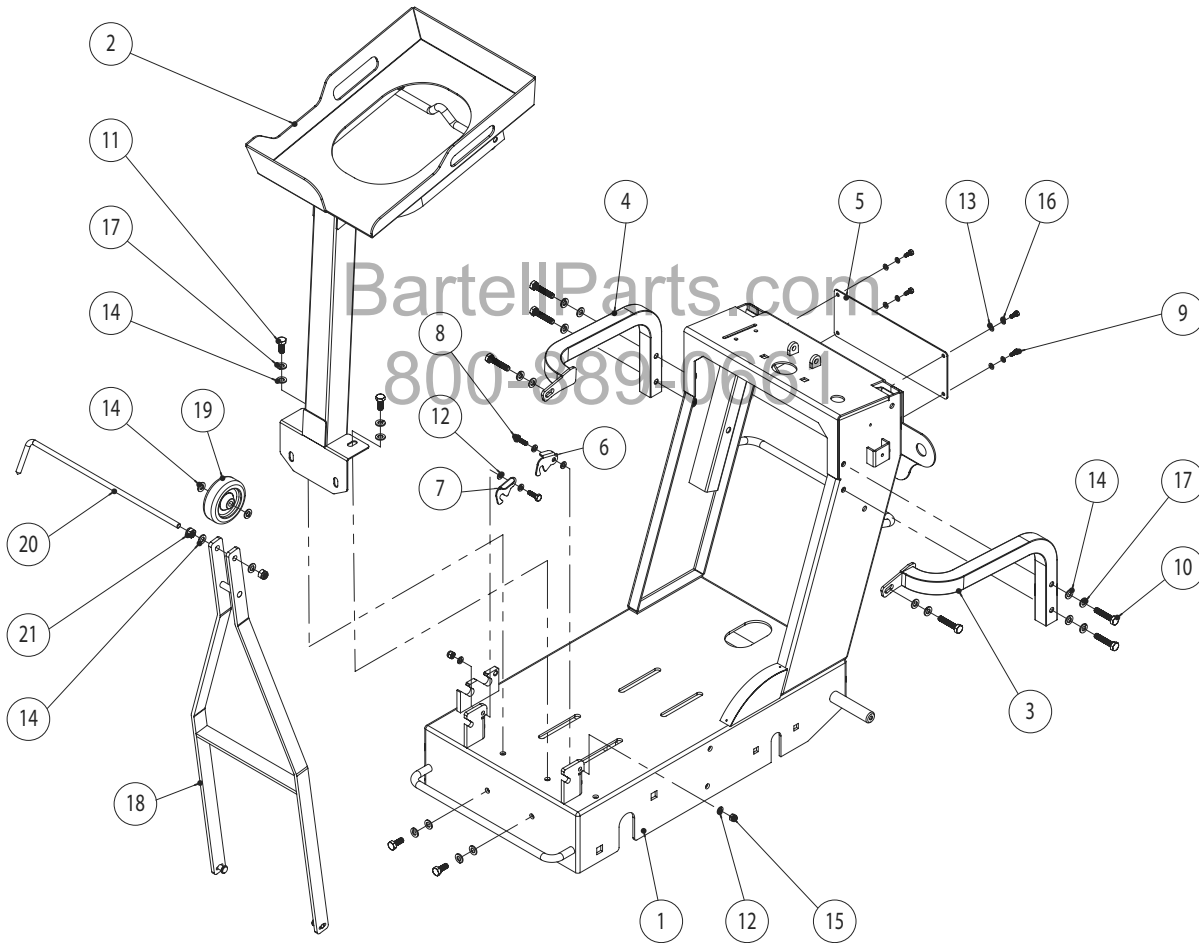
| DESCRIPTION | PART NO | DESCRIPTION | PART NO |
|---|-----------|--|-------------|
| 1. Frame weldment w/water tank bracket and pointer | SS230080 | 46. M6 X 1.0 Nylon Nut | SS1375 |
| 2. Shaft guard | SS230081 | 47. M8 X 1.25 Nylon nut | SS0155 |
| 3. Blade shaft | SS230082 | 48. M6 X 1.0 X 6L Flat point set screw | SS25144 |
| 4. Inner flange | SS230083 | 49. M6 X 1.0 X 6L Flat point set screw | SS25144 |
| 5. Outer flange with pin | SS230084 | 50. M10 Spring lock washer | SS0307 |
| 6. 18" Blade guard | SS230085 | 51. M8 Spring lock washer | SS0121 |
| 7. D1-1/4 Flange caster bearing, UCFL207-20 | SS230052 | 52. M10 X 1.5 X 50L Hex bolt | SS420255 |
| 8. Bearing spacer | SS230086 | 53. M8 X 1.25 X 40L Hex bolt | SS081254007 |
| 9. D16 d12.7 X 10L Bushing | SS230087 | 54. M6 X 1.0 X 20L Hex bolt | SS150018 |
| 10. 5/8 - 11 X 1 UNC Hex bolt | SS230088 | 55. M8 X 1.25 X 70L Hex bolt | SS335253 |
| 11. 5/8 - 11 X 1 UNC Hex bolt - Left | SS230089 | 56. M10 X 1.5 Nut | SS420053 |
| 12. 5/8 Washer | SS4234 | 57. M10 Wide washer | SS0338 |
| 13. 8" (D203.2) d19.05 X 53W Wheel | SS230029 | 58. M8 Narrow washer | SS0120 |
| 14. d19.05 Set collar | SS230090 | 59. 3/8 - 16 X 1-1/2L UNC Square neck bolt | SS4245 |
| 15. D32 d19 X 5L Spacer | SS230091 | 60. 1/2 - 13 X 1-3/4L UNC Square neck bolt | SS4225 |
| 16. D20 Flange caster bearing, UCFL204 | SS6043479 | 61. 3/8 - 16 UNC Nylon nut | SS4248 |
| 17. D12 d9.5 X 10L Bushing | SS230092 | 62. 1/2 - 13 UNC Nylon nut | SS4228 |
| 18. Adjustment shaft | SS230093 | 63. 3/8 - 16 UNC Nut | SS481078 |
| 19. M16 X 39L Clevis pin | SS230094 | 64. M10 Spring lock washer | SS0307 |
| 20. (1/4-28 UNF) Grease fitting | SS42179 | 65. 8 X 7 X 58L Square key | SS230063 |
| 21. Bellow | SS230037 | 66. 6 X 6 X 58L Square key | SS4298 |
| 22. 1-3/4" - 13/16" Hose clamp | SS6043482 | 67. 5 X 5 X 20L Square key | SS230020 |
| 23. Bellow mount washer | SS230095 | 68. M5 Narrow washer | SS25054 |
| 24. Belt adjustment bracket | SS230096 | 69. M5 X 0.8 X 16L Hex bolt | SS230112 |
| 25. Motor tensioning plate | SS230097 | 70. M6 X 1.0 X 10L Wing screw | SS4294 |
| 26. Depth indicator | SS230098 | 71. Flip lock | SS230113 |
| 27. Handle bar | SS230099 | 72. M8 Narrow washer | SS0120 |
| 28. GX390U1QXC9 Honda engine | SS230100 | 73. 24" Hooked bungee cord | SS230114 |
| 29. GX390 Oil hose assembly | SS230101 | 74. Rope | SS230115 |
| 30. 1" (25.4mm) Bore micro-V pulley (D65mm) | SS230102 | 75. M8 X 1.25 X 20L Hex bolt | SS100109 |
| 31. 1-1/4" (31.75mm) Bore micro-V pulley (D90mm) | SS230103 | 76. M8 Narrow washer | SS0120 |
| 32. Micro-V belt, 280PJ 20 rib | SS230009 | 77. Right guard quick-release lock | SS230116 |
| 33. Throttle control | SS4260 | 78. Belt guard | SS230117 |
| 34. Left guard quick-release lock | SS230104 | 79. Front axle weldment | SS230118 |
| 35. D51 d23 X 2.8L Fitting washer | SS42164 | 80. 4" (D125) d17 X 55W Wheel | SS230018 |
| 36. Female 1/2" PT X male 1/2" PT straight ball Valve fitting | SS42144 | 81. d17 Set collar | SS4243 |
| 37. Female 1/2" gardena X female 1/2" gardena X 1.5M hose | SS230105 | 82. 7" Hand wheel with handle | SS230119 |
| 38. Size 27 open-end wrench | SS230025 | 83. Push button stop switch | SS230125 |
| 39. Diamond Blade | BLADE | 84. Adjustment screw | SS230120 |
| 40. M5 Narrow washer | SS25054 | 85. M10 X 1.5 X 20L Hex bolt | SS0305 |
| 41. M6 Narrow washer | SS0384 | 86. 5 X 5 X 25L Square key | SS4282 |
| 42. M10 Wide washer | SS0338 | 87. M10 Wide washer | SS0338 |
| 43. 1/2 Narrow washer | SS4226 | 88. M 3.2 x 38.8L Standard cotter pin | SS230121 |
| 44. M5 X 0.8 Nylon nut | SS150230 | 89. Female 1/2" PT X female 1/2" PT elbow fitting | SS230026 |
| 45. M10 X 1.5 Nylon nut | SS3704228 | 90. Male 1/2" PT X male 1/2" BSP | SS230122 |
| | | 91. Male 1/2" gardena X female 1/2" BSP straight fitting | SS230123 |
| | | 92. Female 3/4" Garden swivel X female 1/2 PT straight fitting | SS42168 |

| DESCRIPTION | PART NO |
|--|-----------|
| 93. Male 1/2" PT X male 1/2" PT straight fitting | SS42166 |
| 94. D19.8 d12.4 X 2L Oil fitting washer | SS230124 |
| 95. Male 1/4" PT X d9.2 through-wall coupling | SS230126 |
| 96. Male 1/2" gardena X female 1/4" PT straight ball valve fitting | SS230127 |
| 97. 30 Liter (8 gal) water tank | SS230128 |
| 98. M10 X 1.5 Nylon nut | SS3704228 |

BartellParts.com
800-889-0661

BartellParts.com
800-889-0661

FRAME ASSEMBLY

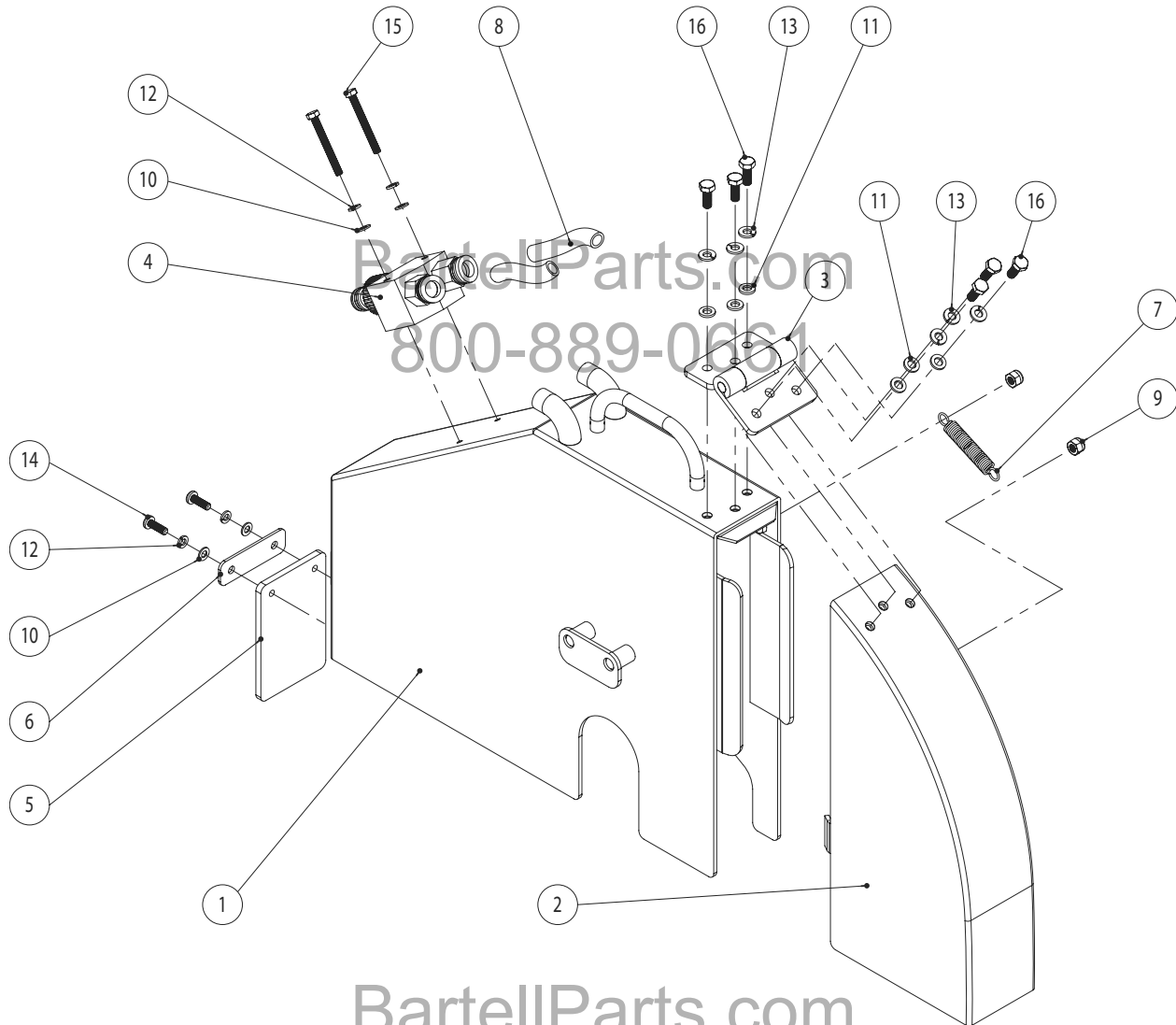


BartellParts.com

800-989-0081

| DESCRIPTION | PART NO | DESCRIPTION | PART NO |
|-------------------------------------|-------------|---------------------------|----------|
| 1. Frame weldment | SS230130 | 12. M6 Narrow washer | SS0384 |
| 2. Water tank bracket | SS230131 | 13. M5 Narrow washer | SS25054 |
| 3. Bracket left arm support | SS230132 | 14. M8 Narrow washer | SS0120 |
| 4. Bracket right arm support | SS230133 | 15. M6 X 1.0 Nylon Nut | SS1375 |
| 5. Access panel | SS230134 | 16. M5 Spring lock washer | SS25053 |
| 6. Left pointer quick-release lock | SS230135 | 17. M8 Spring lock washer | SS0121 |
| 7. Right pointer quick-release lock | SS230136 | 18. Pointer weldment | SS230137 |
| 8. M6 X 1.0 X 20L Hex bolt | SS150018 | 19. Ø75mm Wheel | SS230061 |
| 9. M5 X 0.8 X 16L Hex bolt | SS230112 | 20. Pointer | SS230138 |
| 10. M8 X 1.25 X 40L Hex bolt | SS081254007 | 21. M8 X 1.25 Nylon nut | SS0155 |
| 11. M8 X 1.25 X 20L Hex bolt | SS100109 | | |

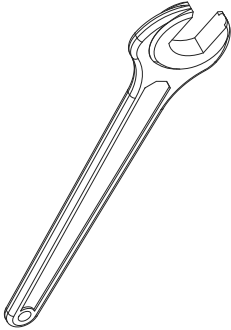
BLADE GUARD ASSEMBLY



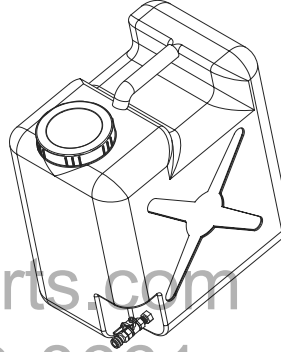
BartellParts.com
800-889-0661

| DESCRIPTION | PART NO | DESCRIPTION | PART NO |
|----------------------------------|----------|--------------------------------|---------|
| 1. 18" Primary blade guard body | SS230139 | 9. M6 X 1.0 Nylon Nut | SS1375 |
| 2. 18" Forward blade guard cover | SS230140 | 10. M5 Narrow washer | SS25054 |
| 3. Hinge | SS230141 | 11. M6 Narrow washer | SS0384 |
| 4. Water hose manifold | SS230142 | 12. M5 Spring lock washer | SS25053 |
| 5. Splash flap | SS230049 | 13. M6 Spring lock washer | SS11090 |
| 6. Splash flap washer | SS230143 | 14. M8 X 0.8 X 15L Cross screw | SS25058 |
| 7. Spring | SS230144 | 15. M5 X 0.8 X 45L Hex bolt | SS5703 |
| 8. LH PU Ø8 X Ø12 X L | SS230145 | 16. M6 X 1.0 X 15L Hex bolt | SS11089 |

Accessories



Size 27 open-end wrench
Part No. SS230025



30 Liter (8 gal) water tank
Part No. SS230146

BartellParts.com
800-889-0661

BartellParts.com
800-889-0661