

**DIAMOND**  
PRODUCTS

**CONCRETE SAW**  
**PARTS LIST**

**MODEL**  
**CC1309HS-XL**

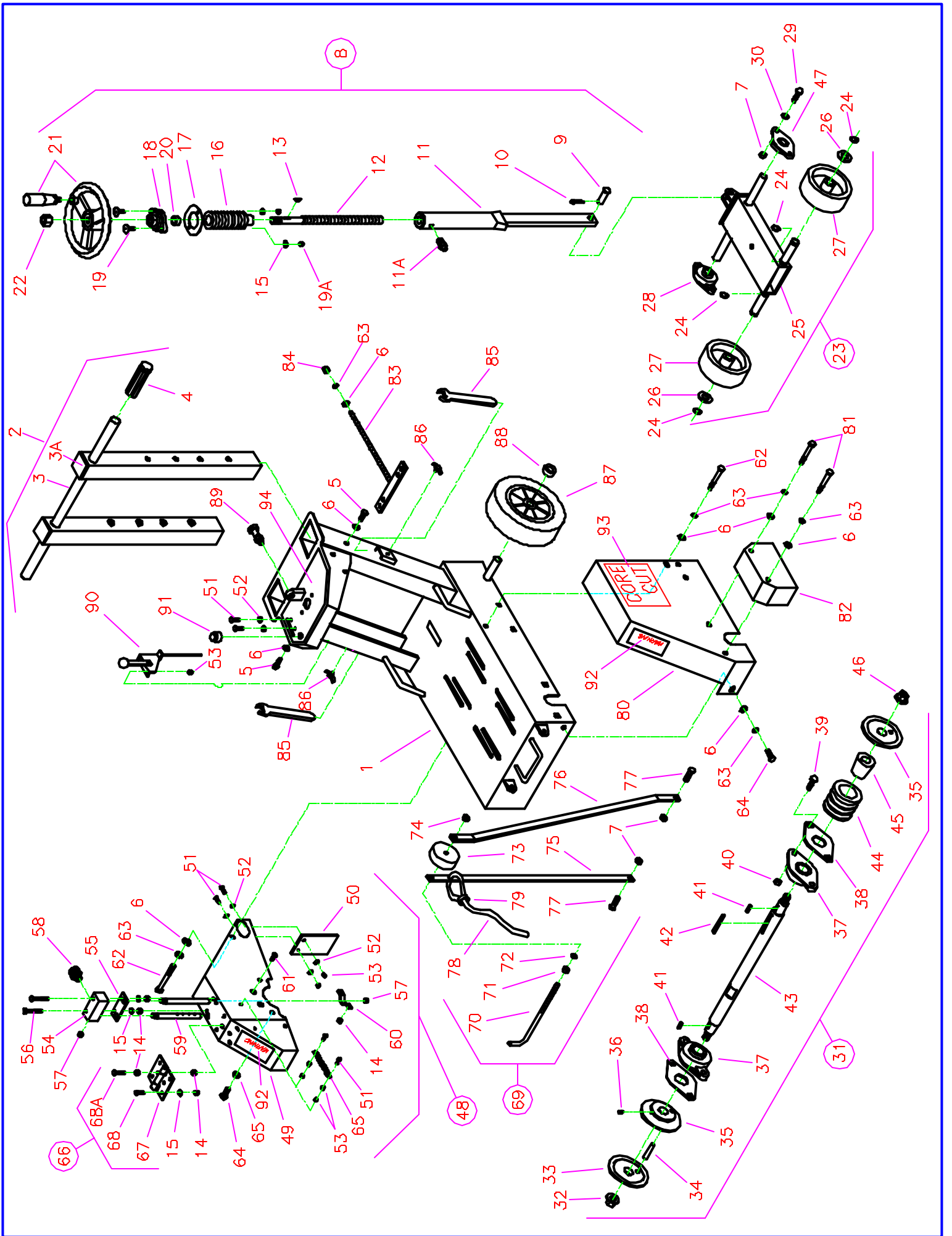
(18 NOVEMBER 2002)

1800700

## CC1309XL-PARTS LIST

## DRAWING I

Diagram Number	Part No.	Qty. Req.	Description	Diagram Number	Part No.	Qty. Req.	Description
1	6048181	1	Frame (CC1300 XL - Version)	48	6048012	1	18" Blade Guard Assembly
2	6048182	1	Handle Bar Assembly (Includes #3 - #6)		6048010	1	14" Blade Guard Assembly
3	6040213	1	Handle Bar Only				(Includes #6, #14, #15, #49 - #66)
3A	2501441	2	Cap, 2" SQ. Poly Cap	49	6048013	1	18" Blade Guard Only
4	2500636	2	Handle Grip		6048011	1	14" Blade Guard Only
5	2900596	2	Capscrew, Hex Hd., 3/8-16 x 2-1/2	50	6048039	1	Splash Flap
6	2900014	8	Flat Washer, 3/8" SAE	51	2900309	6	Capscrew, Hex Hd. M5 x 20mm
7	2900304	6	Lock Nut, M10 Nylon	52	2900016	6	Flat Washer, #10 USS
8	6048183	1	Screw Feed Assembly (Includes #9 -#22)	53	2900301	8	Lock Nut, M5 Nylon
9	2900354	1	Clevis Pin, 1/2" Dia. x 1-3/4"	54	6048123	1	Manifold
10	2900004	1	Cotter Pin, 1/8" x 1"	55	2500829	1	Manifold Gasket
11	6047927	1	Adjustment Shaft without fitting	56	2900244	2	Capscrew, Hex Hd., M6 x 45mm
11A	2900062	1	1/8" NPT Grease Fitting	57	3200001	3	Pipe Plug, 1/8" NPT
12	6047929	1	Adjustment Screw	58	3200002	1	Fitting, 3/4" M Garden - 3/8" M Pipe
13	2900352	1	Woodruff Key #506, 5/32" x 3/4" Dia.	59	6048243	2	Water Tube For 18" Blade Guard
14	2900302	12	Lock Nut, M6 Nylon, W/ 18" Blade Guard	60	6048155	2	Water Tube Clamp
		13	With 14" Blade Guard	61	2900308	4	Capscrew, Flat Hd., M6 x 16mm
15	2900009	8	Flat Washer, 1/4" SAE, W/ 18" Blade Guard	62	2900320	2	Capscrew, Hex Hd., M10 x 100mm
		7	With 14" Blade Guard	63	2900321	7	Lock Washer, M10 Split
16	6048036	1	Bellow	64	2900314	2	Capscrew, Hex Hd., M10 x 20mm
17	6048038	1	Bellow Mount Washer	65	2500067	1	Spring, 3/8" Dia. x 4" Long for
18	2500807	1	Flange Block Bearing, 5/8"		2500066	1	Spring, 3/8" Dia. x 3" Long for
19	2900373	2	Carriage Bolt, 1/4"-20 X 1-1/4"	66	6048027	1	Hinge Assembly For 18" Blade Guard
19A	2900010	2	Locknut, 1/4 -20		6048026	1	Hinge Assembly For 14" Blade Guard
20	6047931	1	Spacer Tube				(Includes #14, #15, #67, #68)
21	6040218	1	Handwheel, 8" Dia.	67	2500270	1	Hinge Only
22	2900355	1	Lock Nut, 5/8"-18 Flex	68	2900310	6	Capscrew, Hex Hd., M6x20mm,W/18"GRD
23	6048184	1	Front Axle Assy(Includes #7, #24 - #30, #88)			5	With 14" Blade Guard
24	2501186	4	Retaining Ring, External 3/4"	68A	2900312	1	Capscrew, Hex Hd., M6x35mm,W/14"GRD
25	6040212	1	Front Axle Weldment	69	6048080	1	Pointer Assembly (Includes #7, #70 - #79)
26	2900003	2	Flat Washer, 3/4" SAE	70	2900032	1	Pointer Rod, 3/8"-16
27	2500005	2	Wheel, 5" Diameter	71	2900033	1	Hex Nut, 3/8"-16
28	2500011	2	Flange Block Bearing, 3/4"	72	2900006	1	Lock Washer, 3/8" Split
29	2900324	4	Carriage Screw, M10 x 30mm	73	2500624	1	Wheel, 3" Dia. with Bushing
30	2900326	4	Flat Washer, M14	74	2900018	1	Lock Nut, 3/8"-16 Nylon
31	6040214	1	Blade Shaft Assembly (Includes #32 - #47)	75	6048069	1	Pointer Bar, Straight
32	2900066	1	Flange Nut, 5/8"-11 Left Hand	76	6048070	1	Pointer Bar, Offset
33	6048009	1	Outer Flange, 4-1/2" With Pin	77	2900315	2	Capscrew, Hex Hd., M10 x 35mm
34	2900067	1	Drive Pin, 3/8" Dia. x 1-1/4"	78	6048078	1	Pointer Rope
35	6048008	2	Inner Flange, 4-1/2"	79	3200221	3	Rope Clamp
36	2900076	2	Setscrew, Soc. Hd., 1/4"-20 x 1/2"	80	6048001	1	Belt Guard
37	2500576	2	Flange Block Bearing, 1-1/4"	81	2900319	2	Capscrew, Hex Hd., M10 x 80mm
38	6048037	2	Bearing Spacer	82	6048002	1	Shaft Guard
39	2900322	4	Carriage Screw, M12 x 35mm	83	6040261	1	Belt Adjustment Shaft
40	2900327	4	Lock Nut, M12 Nylon	84	2900325	1	Hex Nut, M10
41	6048018	2	Key, 3/16" Sq. x 3/4"	85	2500256	2	Wrench, 1-1/16"
42	6048134	1	Key, 1/4" Sq. x 2-1/4"	86	2900307	2	Wing Screw, M6 x 16mm
43	6048007	1	Blade Shaft	87	2501439	2	Wheel, 8" Diameter
44	2500025	1	Sheave, 3.65-3 Groove	88	2400615	2	3/4" Set collar
45	2500337	1	Taper Bushing, 1-1/4" with Setscrews	89	2400138	1	Index Plunger, 1/2-13
46	2900065	1	Flange Nut, 5/8"-11 Right Hand	90	2501565	1	Throttle Control
47			Blank	91	2800001	1	Push Button Stop Switch
				92	1800001	2	Warning Label
				93	1800352	1	Saw Label
				94	1800672	1	Operation Label



# CC1309XL-PARTS LIST

## DRAWING II

Diagram Number	Part No.	Qty. Req.	Description	Diagram Number	Part No.	Qty. Req.	Description
1	2600160	1	Engine, 9HP Honda	22	2900425	1	7/8" Flat Washer
2	2900473	2	Flat Washer, 3/8" SAE, hardened	23	3200022	1	Fitting, 1/2" Female Pipe To 3/4" Female Garden Hose
3	2900317	4	Capscrew, Hex Hd., M10 x 45mm				
4	2900014	8	Flat Washer, 3/8" SAE	24	3200025	1	Filter Hose Washer
5	2900304	6	Lock Nut, M10 Nylon	25	2700554	1	Muffler Exhaust Deflector
6	6048134	1	Key, 1/4" Sq. x 2-1/4"	26	2900206	3	8-32 Self Tapping Screws
7	2500022	1	Sheave, 2.65-3 Groove	27	6048186	1	Adaption Plate
8	2500026	1	Taper Bushing, 1" with Setscrews	28	2900333	2	Capscrew, Hex Hd., M10 x 25mm
9	2500034	3	V-Belt, 3VX315	29	6048213	1	Water Tank Kit for CC1300-XL (Includes #4, #5, #30 - #42)
10	6048029	1	Oil Drain Hose Assembly For Honda Engines (Includes #11 THRU #16)	30	2900005	4	Capscrew, Hex Hd., 3/8-16x1"
11	3200497	1	M12 x 1.5 Male To 9/16-18 M ADAPTER	31	2900018	4	Lock Nut, 3/8-16x1" Nylon BLANK
12	6090273	1	Oil Drain Hose, 1/4" I.D.				
13	3200040	1	Fitting, 1/4" Male JIC to 1/4" Push Lock	33	2900314	4	Capscrew, Hex Hd., M10 x 20mm
14	3200006	1	Cap, 1/4"JIC	34	6048220	1	Water Tank Bracket for CC1300-XL
15	3200091	1	1/4"F JIC TO 1/4" PUSHLOCK	35	6048017	2	Water Tank Brace
16	3200498	1	9/16-18 TO 1/4 JIC MALE	36	2501260	1	Water Tank
17	6011055	1	Hose Assembly	37	2500586	1	Tiedown, Elastic 24"
18	3200155	1	Fitting, 1/2" Male Pipe to 3/4" Male Garden Hose	38	3200016	1	Hose Clamp #8
19	3200027	1	Water Valve	39	6048197	1	Hose, 1/2" Clear
20	3200008	2	Close Nipple, 1/2" NPT	40	3200021	1	Fitting, 3/4" Female Garden to 1/2" Hose Barb
21	3200209	1	1/2" F Pipe Elbow, 90 Degree	41	3200238	1	Ferrule, brass, to 1/2" hose
				42	2501261	1	Petcock

