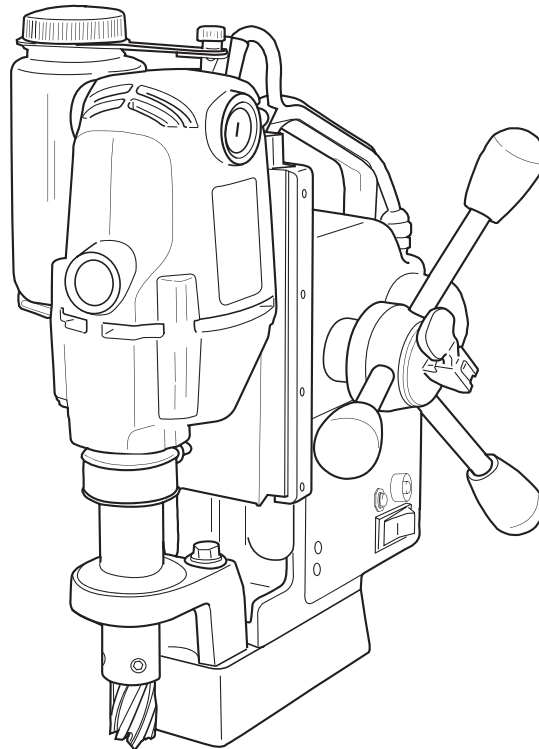




HMD925 SERIES POWER FEED MAGNETIC DRILL

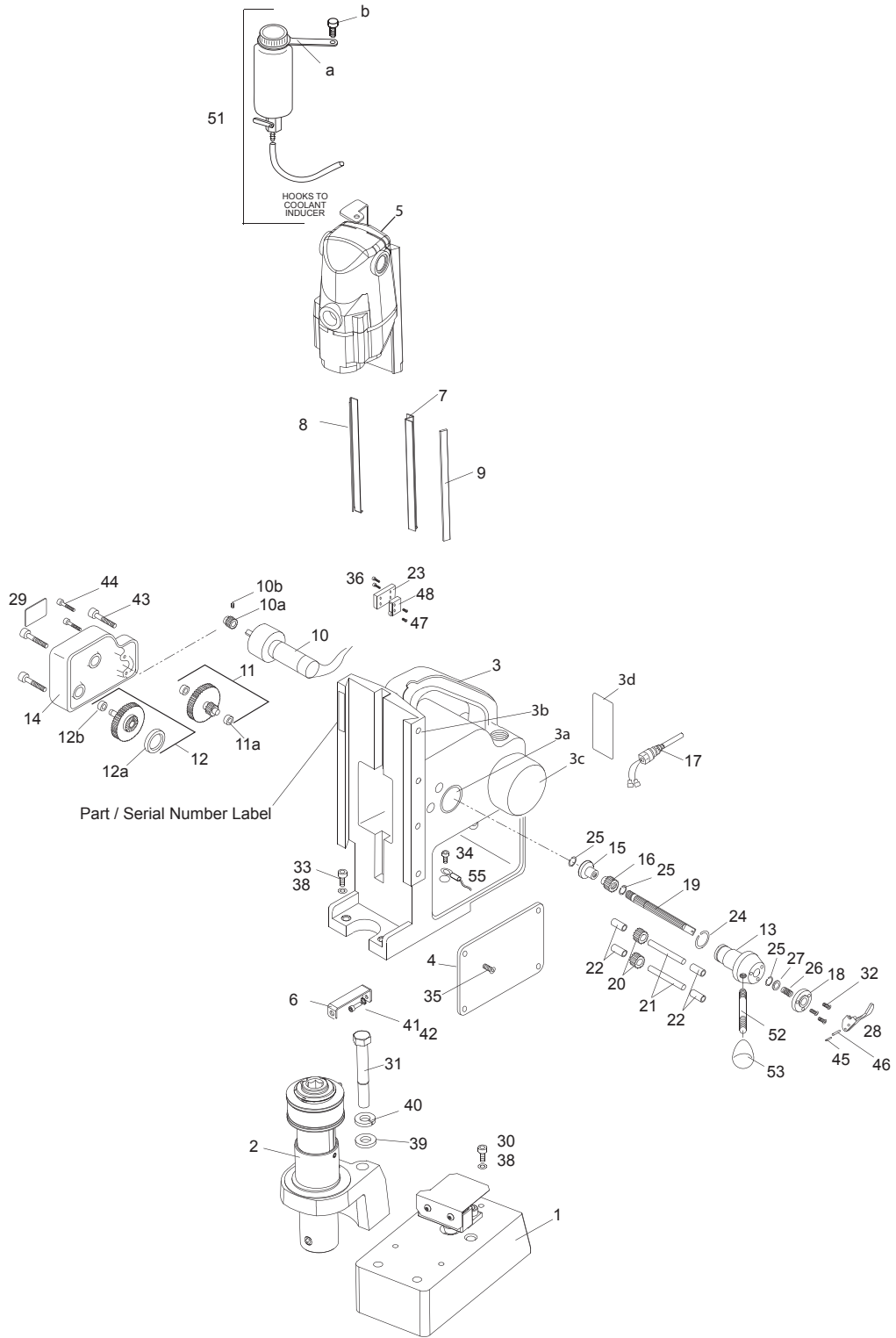
OPERATOR'S MANUAL

COVER DRILL PART NUMBERS 0925102



FOR USE WITH "12,000-SERIES" HOUGEN® CUTTERS

0925102 HMD925 120v Power Feed with Coolant

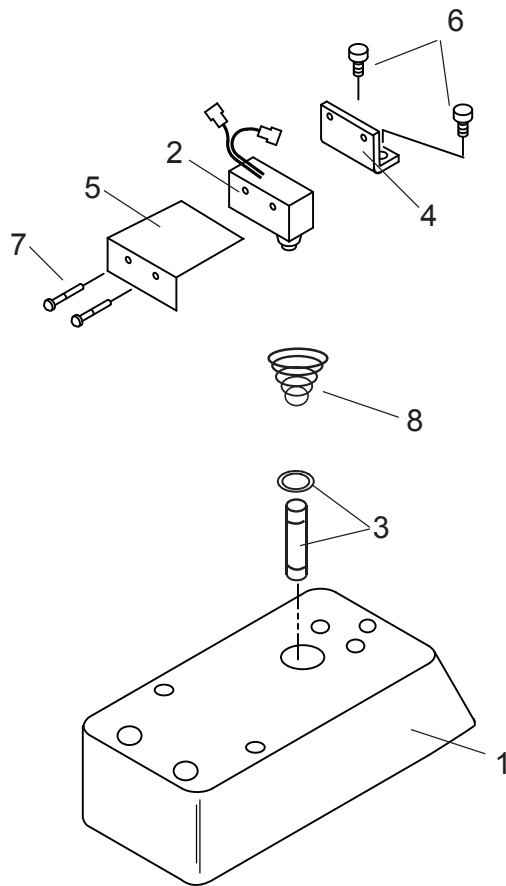


0925102 Parts List

Item	Part #	Description	Qty	Item	Part #	Description	Qty
1	*05378	Magnet & Switch Assembly 120v	1	23	19018	Travel Switch Block	1
2	*07155	Arbor & Front Support Bracket Assembly	1	24	10836	Retain. Ring	1
3	07127	Housing Assembly 120v (includes 3a-3d)	1	25	01165	Retain. Ring 1/2 Shaft	3
3a	05108	Bronze Bearing	2	26	05114	Spring	1
3b	40237	Set Screw 1/4-28 X 1/2	4	27	05115	Flat Washer	1
3c	19024	Engagement Label	1	28	19040	Handle Lever	1
3d	07026	Safety Label Instructions 120v	1	29	19021	Motor Label	1
4	*19037	Control Panel Assembly 120v	1	30	40077	Screw SHC 1/4-20 X 1	1
5	*07217	Motor Slide Assembly 120v	1	31	02460	Hex Bolt 3/8-24 X 2-3/4	2
6	07163	Coolant Inducer Bracket	1	32	90077	Screw BHC #10-32 X 1/2	3
7	02429	Right Hand Brass Gib	1	33	10553	Screw SHC 1/4-20 X 7/8	2
8	02430	Left Hand Brass Gib	1	34	10648	Screw SHC #10-32 X 1/2	1
9	02431	Steel Gib	1	35	41044	Screw BHC #10-32 X 3/8	4
10	19026	Feed Motor Assembly (includes 10a-10b)	1	36	05203	Screw SHCS #8-32 X 3/4	2
10a	19027	Motor Gear	1	38	90028	Lock Washer 1/4	3
10b	02217	Set Screw #8-32 X .18	1	39	40392	Flat Washer 3/8	2
11	19028	Gear #1 Assembly	1	40	40391	Lock Washer	2
11a	24100	Ball Bearing	3	41	40038	Screw SHC #10-32 X 5/8	1
12	19029	Gear Shaft Clutch Assembly (includes 12a - 12b)	1	42	10560	Lock Washer	1
12a	05107	Ball Bearing 35mm X 47mm X 7mm	1	43	41048	Screw SHC #10-32 X 1-1/2	4
12b	24100	Ball Bearing	1	44	51044	Screw SHC #10-32 X 1-1/4	2
13	19030	Feed Hub w/Spline Assembly	1	45	02902	Roll Pin 1/8 X 5/8	1
14	19004	Gear Box Assembly	1	46	40277	Dowel Pin 3/16 X 5/8	1
15	19005	Clutch Drive	1	47	05187	Screw SHC #2-56 X 1/2	2
16	19008	Gear w/Spline	1	48	19042	Limit Switch	1
17	90571	Power Cord Assembly 120v	1	49	19022	Safety Instruction Label	1
18	19010	Hub Plate	1	50	05207	Jumper Wire	1
19	19013	Spline Shaft	1	51	*05060	Coolant Bottle Assembly	1
20	19016	20 Tooth Gear	2	a	05059	Coolant Bottle Holder	1
21	19017	.4375 Diam. Shaft	2	b	05061	Thumb Screw	1
22	19020	Gear Spacer	4	52	04558	Feed Handle .50 X 4.50	3
				53	04532	Oval Knob	3

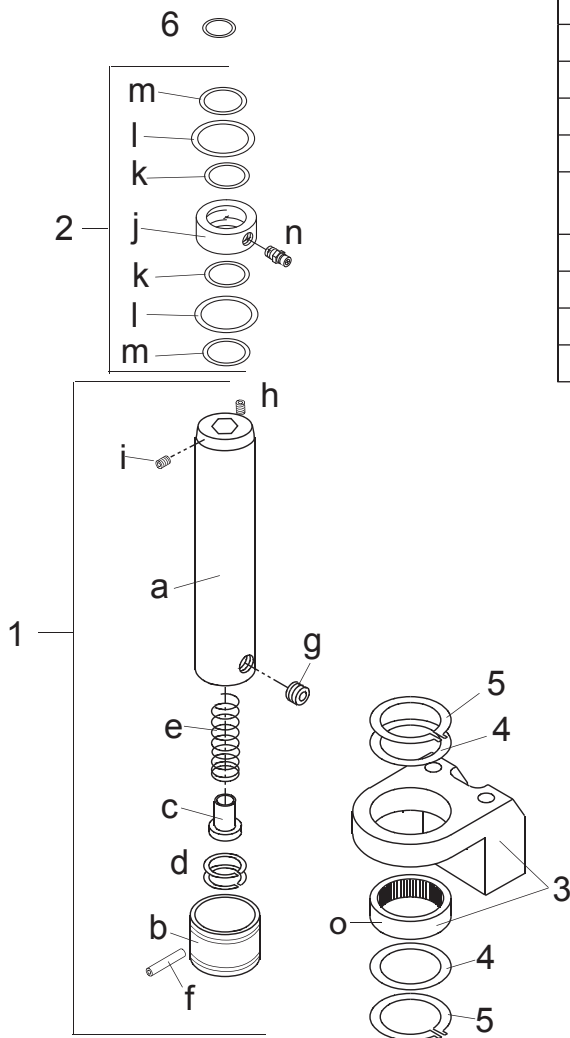
* SEE FOLLOWING PAGES FOR ASSEMBLY BREAKDOWNS

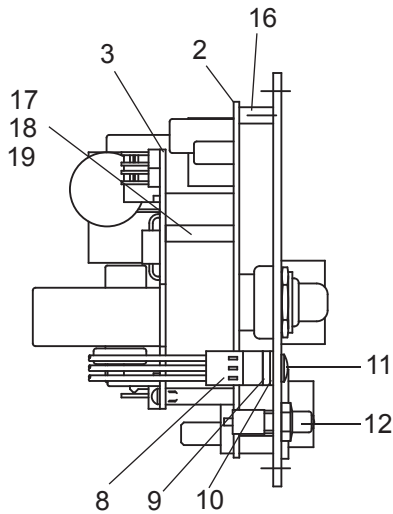
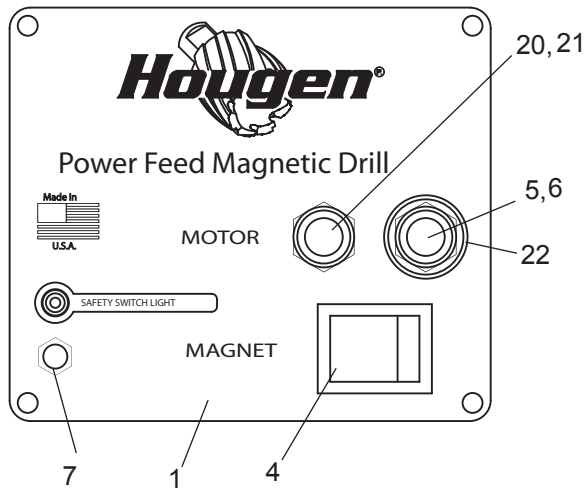
05378 Magnet Assembly 120v			
Item	Part #	Description	Qty
1	05377	Magnet Assembly 120v	1
2	04885	Safety Switch Assembly	1
3	04910	Plunger Assembly	1
4	04909	Safety Switch Bracket	1
5	10983	Micro Switch Shield	1
6	10971	Screw SHC 1/4-20 X 1/2	2
7	10972	Screw BHC #6-32 X 7/8	2
8	17271	Tapered Spring	1



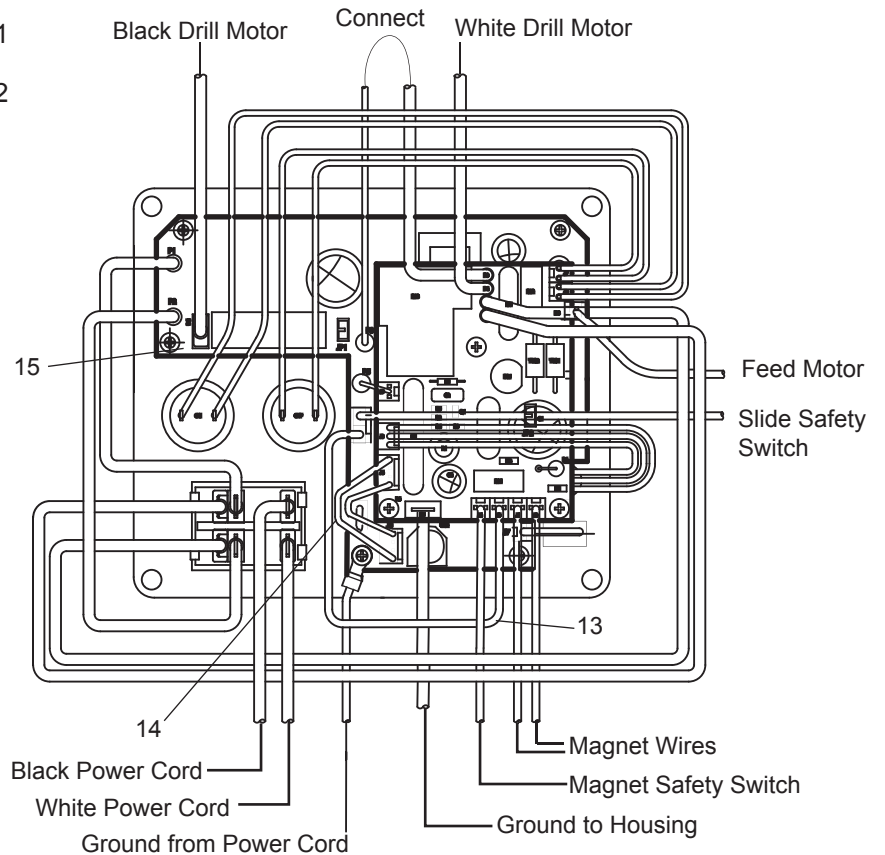
07155 Coolant Arbor Assembly

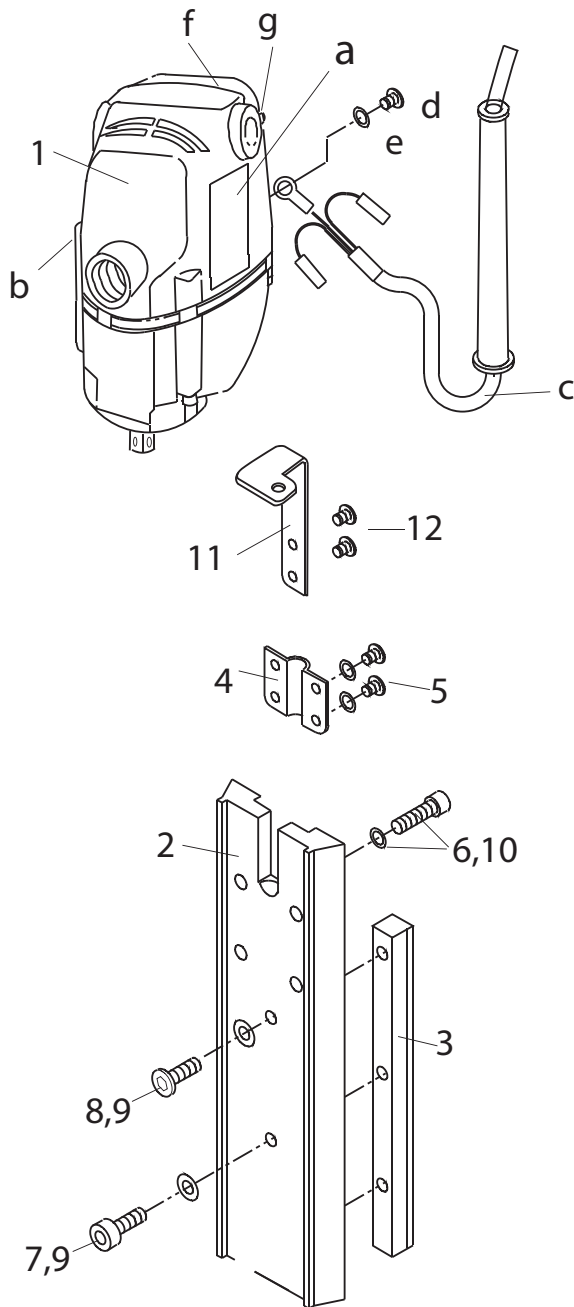
Item	Part #	Description	Qty
1	07157	Arbor & Collar Assembly	1
a	07159	Arbor Body	1
b	07162	Ejection Collar	1
c	07161	Spring Seat	1
d	10517	Retain. Ring	2
e	05049	Spring	1
f	40312	Roll Pin	1
g	10506	Set Screws 3/8-24 X .305	2
h	07083	Set Screw m6 X 1 X 5mm	2
i	05628	Set Screw 1/4-28 X 3/8	2
2	07158	Coolant Inducer Assembly	1
j	07160	Inducer Ring	1
k	40300	O-Ring	2
l	40301	Washer	2
m	40302	Retain Ring	2
n	07080	Hose Fitting	1
3	04375	Front Support Bracket Assembly used with 07155 Assembly	1
o	40232	Needle Bearing	1
4	40234	Thrust Washer	2
5	40398	Retain. Ring	2
6	04391	O-Ring	1





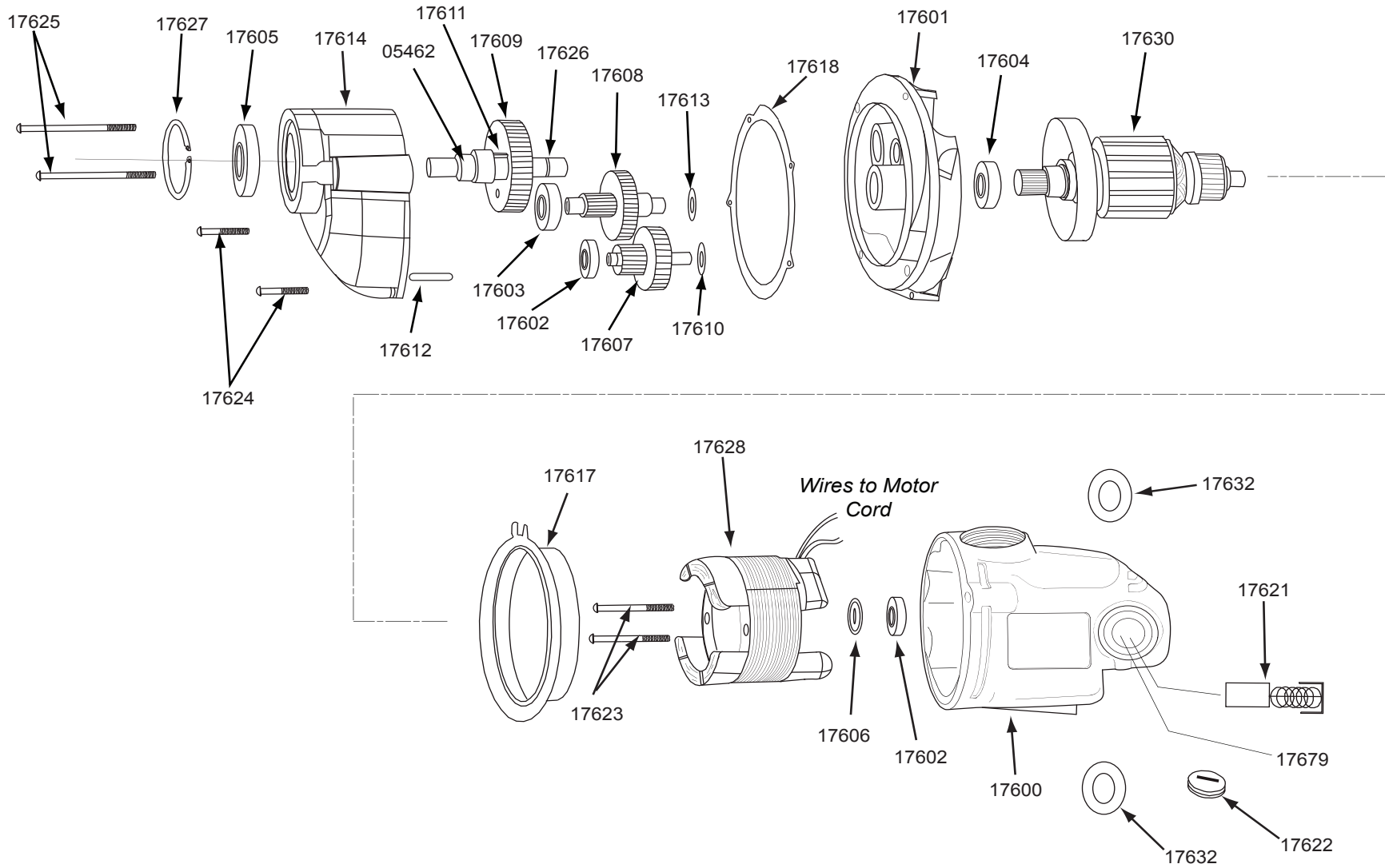
19037 120v Control Panel			
Item	Part #	Description	Qty
1	05831	Faceplate	1
2	05852	Power Feed Circuit Board	1
3	05826	Circuit Board	1
4	04614	Rocker Switch	1
5	01334	Motor ON Switch	1
6	02409	Green Switch Cover	1
7	05335	Mini Toggle Switch	1
8	04877	Wire Harness	1
9	04878	L.E.D Spacer	1
10	04881	L.E.D. Bulb	1
11	04879	L.E.D Lens	1
12	05336	Toggle Switch Boot	1
13	05331	Jumper Wire J5-J3	1
14	05332	Jumper Wire J6-J5	1
15	05355	Screw #4-40 X 1/4	5
16	04891	3/8 lg. Standoff	5
17	05832	Nylon Standoff	3
18	05320	Screw #4-40 x 1	3
19	05319	Nylon Nut	3
20	01335	Motor OFF Switch	1
21	01228	Red Switch Cover	1
22	01226	Switch Guard	1



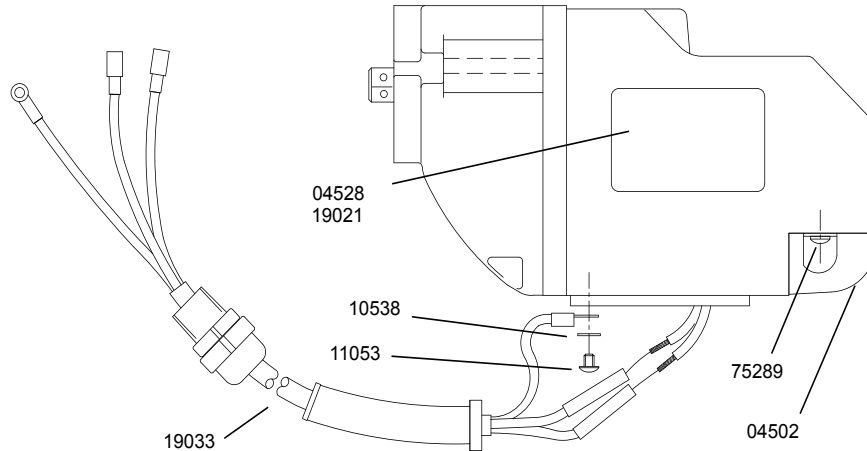


07217 120v Motor / Slide Assembly			
Item	Part #	Description	Qty
1	05479	Motor Assembly	1
a	19021	Motor Label	1
b	04528	Motor Specs Label	1
c	19033	Motor Cord	1
d	11053	Screw BHC #8-32 X 3/16	1
e	10538	#8 Washer	1
f	04502	Inspection Cover	1
g	75289	Screw M5 X 8mm	2
2	04500	Dove Tail Slide (07217 Assy.)	1
3	02428	Rack Gear (07217 Assy.)	1
4	02422	Motor Cord Bracket	1
5	41044	Screw BHC #10-32 X 3/8	2
6	75156	Screw SHC M6 X 1 X 15mm	4
7	40038	Screw SHC #10-32 X 5/8	1
8	90077	Screw BHC #10-32 X 1/2	1
9	10560	#10 Lock Washer	2
10	90028	1/4 Lock Washer	4
11	05057	Bottle Bracket	1
12	05988	Screw FHC #10-32 X 1/2	2
13	05185	1/4 X 3/8 lg.	1

120v MOTOR PARTS DIAGRAM



05479 120v MOTOR ASSEMBLY



MOTOR PARTS LIST

Part #	Description	Qty	Part #	Description	Qty
04502	Brush Cover	1	17613	Flat Washer	1
04528	Label, Motor Safety	1	17614	Gear Housing	1
05462	Spindle	1	17617	Fan Guide	1
05474	Motor 120v	1	17618	Gasket	1
10538	Washer #8	1	17630	Armature	1
11053	Scew BHS #8-32	1	17628	Field	1
17600	Field Case	1	17621	Carbon Brush (Pack of 2)	1
17601	Gear Housing	1	17622	Brush Cap	2
17602	Ball Bearing	2	17623	Pan Head Screw	2
17603	Ball Bearing	1	17624	Pan Head Screw Short	2
17604	Ball Bearing	1	17625	Pan Head Screw Long	2
17605	Ball Bearing	1	17626	Retaining Ring	1
17606	Dust Seal	1	17627	Retaining Ring	1
17607	1st Inter. Gear Assy	1	17632	Paper Washer	2
17608	2nd Inter. Gear Assy	1	17679	Brush Holder	2
17609	Spur Gear	1	19021	Label, Motor	1
17610	Flat Washer	1	19033	Motor Cord	1
17611	Key	1	75289	Pan Head Screw	2
17612	Dowel Pin	1			