

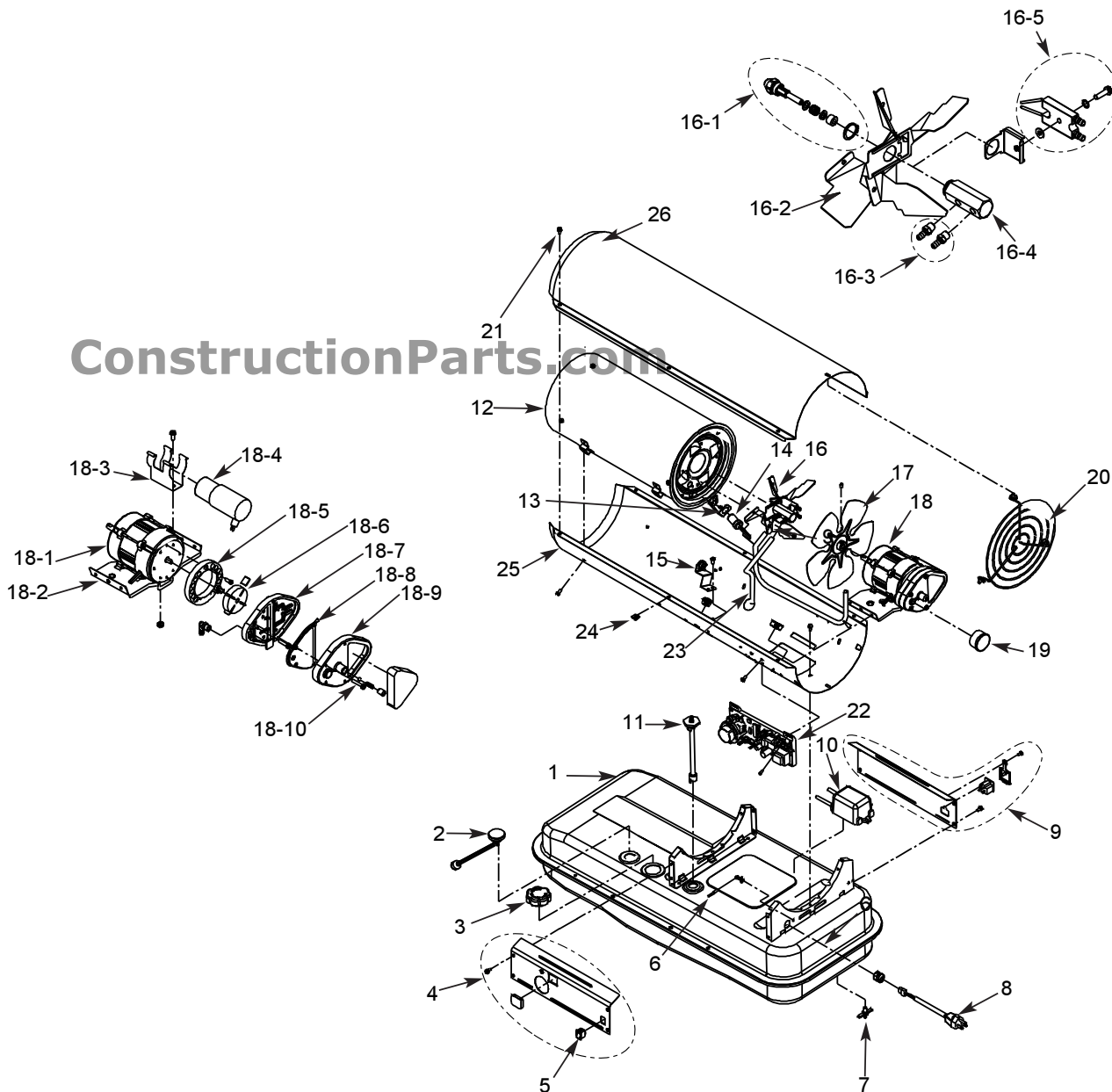
Parts Identification

ConstructionParts.com
PARTS SCHEMATIC (CP210AK)

888-634-4289

Please provide following information:

- Model number
- Serial number (if any)
- Part description and number as shown in parts list



ConstructionParts.com

888-634-4289

Figure 23 - Repair Parts Illustration for Portable Oil-Fired Heater (Model CP210AK)

PARTS LIST (CP210AK)

Reference Number	Description	Part Number for Models: CP210AK
1	Fuel Tank Assembly	572146
2	Fuel Gauge	572151
3	Fuel Cap	572157
4	Panel Right Side Assembly	572264
5	Power Switch	572251
6	Thermostat Wire	572149
7	Drain Plug	572176
8	Power Cord	572160
9	Panel Left Side Assembly	572262
10	Ignition Transformer	572246
11	Fuel Filter Assembly	572155
12	Combustion Chamber	572181
13	Photocell Bracket	572185
14	Photocell Assembly	572186
15	Temperature Limit Assembly	572175
16	Burner Assembly	
16-1	Nozzle Assembly	572196
16-2	Bracket Burner	572191
16-3	Air/Fuel Line Adapters	572279
16-4	Nozzle Adapter	572199
16-5	Spark Plug Assembly	572202
17	Fan Assembly	572235
18	Motor and Pump Assembly	572207
18-1	Motor	572211
18-2	Motor Support	572220
18-3	Capacitor Holder	572249
18-4	Capacitor	572215
18-5	Pump Body	572224
18-6	Rotor Kit**	572226
18-7	Pump Cover	572228
18-8	Filter Kit*	572227
18-9	Filter Cover	572229
18-10	Pump Adjustment Kit***	572230
19	Pressure Gauge	572231
20	Fan Guard	572267
21	Screw (12-Pack)	572282
22	Main P.C.B. Assembly	572240
23	Air/Fuel Lines	572172
24	Clip Nut (6-Pack)	572284
25	Lower Shell	572166
26	Upper Shell	572263
	Hardware Kit	572285
	Pump/Filter Cover Screws (10-Pack)	572283

Filter Kit* - Includes Intake, Outlet, and Lint Filter

Rotor Kit** - Include Rotor, Blades, and Insert

Pump Adjustment Kit*** - Includes Ball Spring and Adjusting Screw