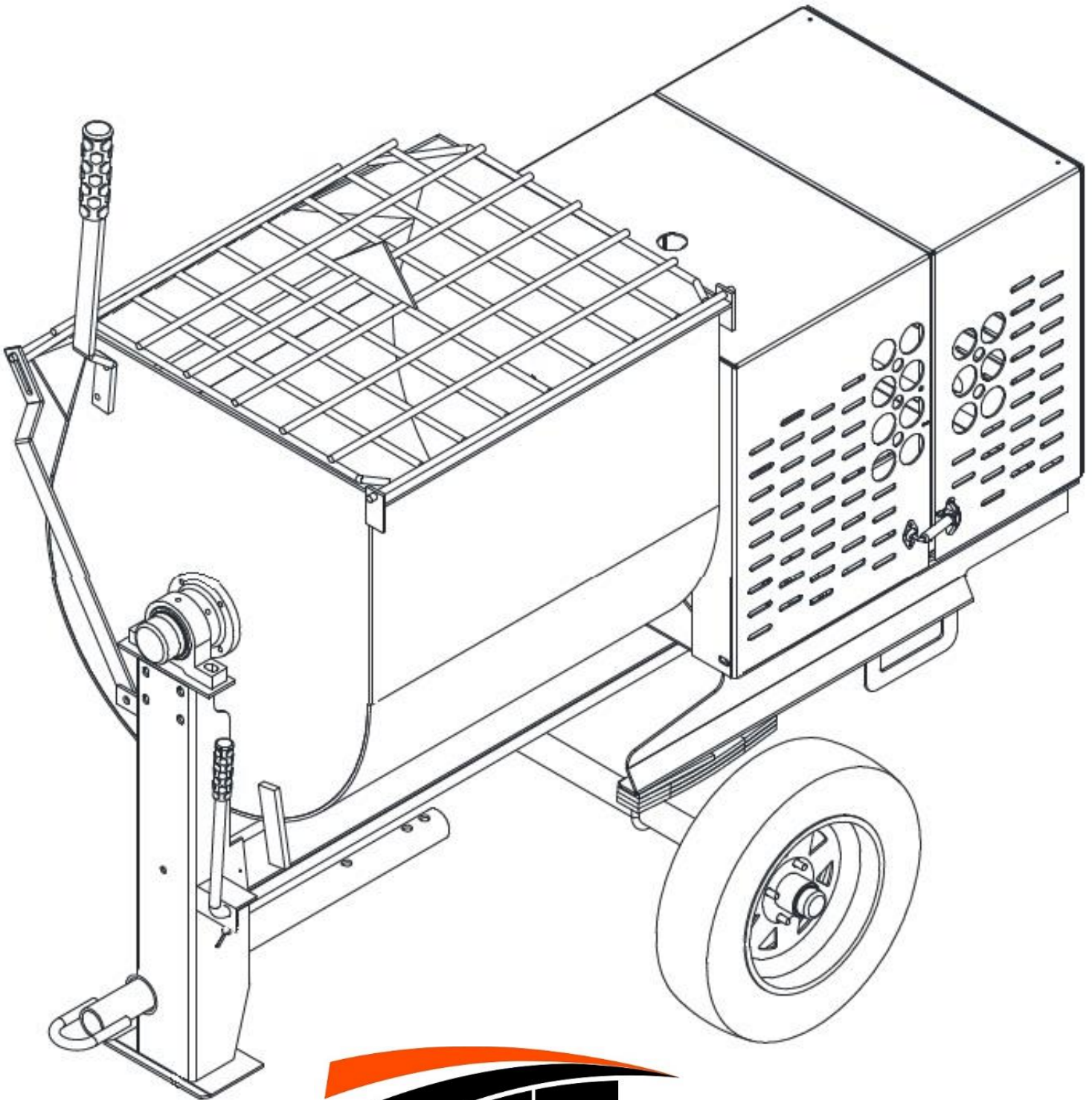
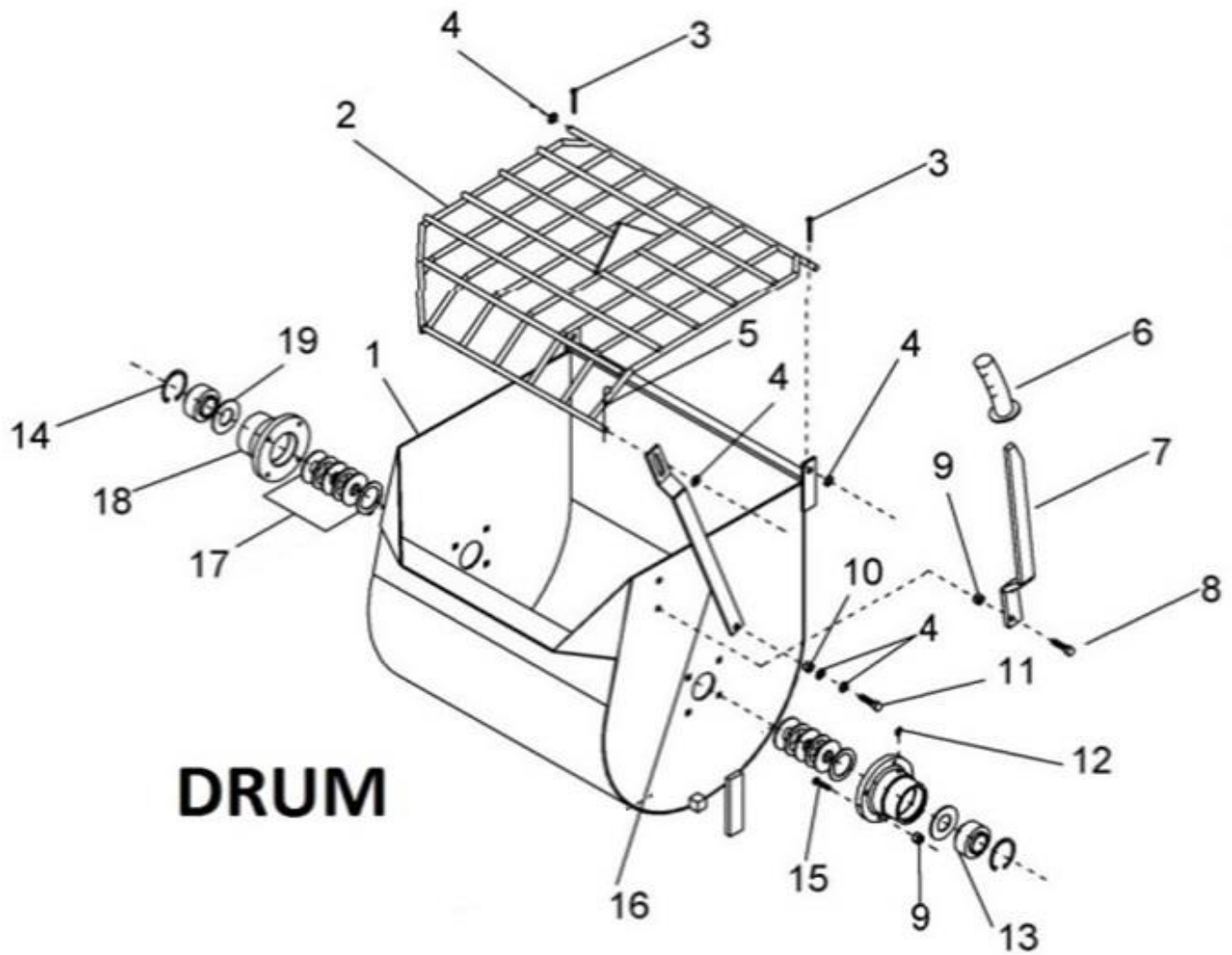


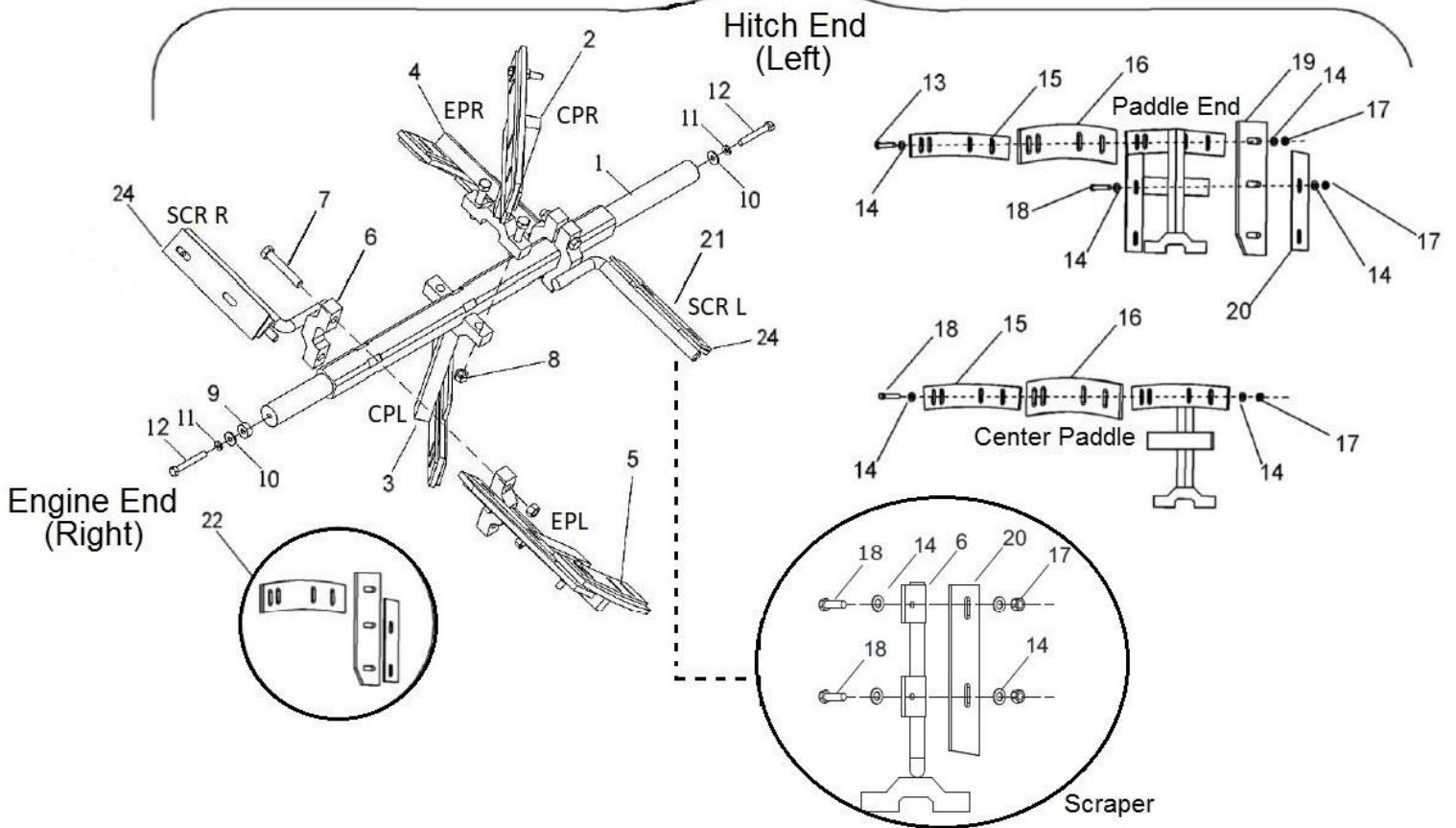
# MM12 V-BELT PARTS BREAKDOWN





# DRUM

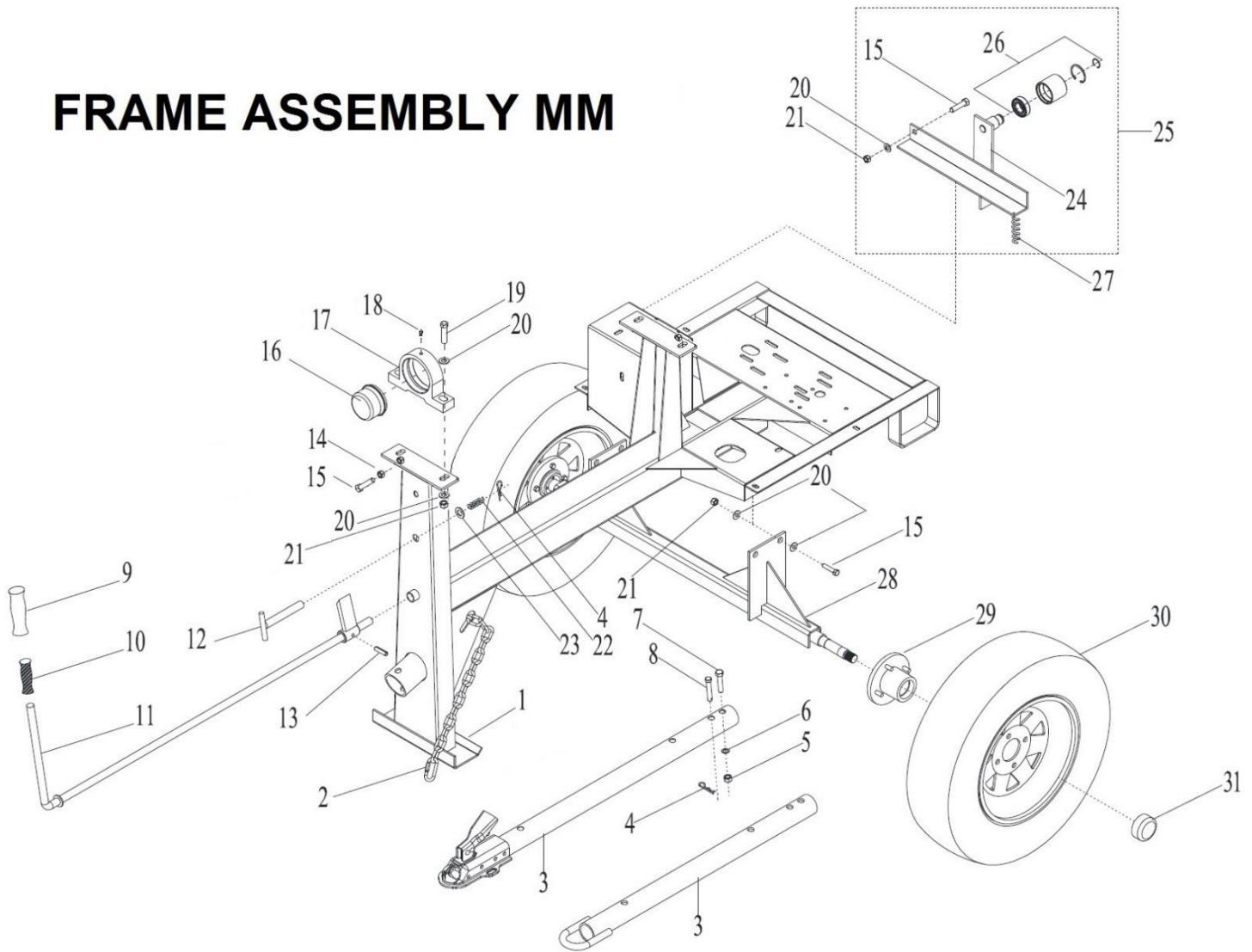
DRUM ASSEMBLY BREAK DOWN				
ITEM	SKU #	PART #	DESCRIPTION	MM12
*	0204KI02TQ	T502	DRUM MM12/MM12G - T502 (OLD)	1
*	0204KI01TQ	T502-1	DRUM ASSEY COMPLETE MM12 - T502-1 (OLD)	1
1	0204CO01TQ	T602	DRUM MM12/MM12G 32-1/2" - T602 (NEW)	1
1	0204KI01EF	T602-1	DRUM ASSEY COMPLETE MM12/MM12G 32-1/2" - T602-1 (NEW)	1
1		T602-G	DRUM ASSEY COMPLETE MM12G 32-1/2" - T602-G (NEW)	
2	0204CO01RJ	T603	DRUM GRID W/ BAG CUTTER MM12/MM12G - T603	1
3	CHA 316 2	T111	GRID PIN COTTER, 3/16" X 2" - SC3116200GAL - T111	2
4	RNPX012GAL	T105	PLAIN WASHER 1/2" - T105	5
5	0111SR01LZ	T110	GRID/HITCH HAIR LOCK PIN 3/16" - T110	3
6	0000RF01RJ-1	T166-1	DRUM DUMPING HANDLE GRIP - 139350 - T166-1 ( <b>FLAT</b> )	1
7	0200CO01TQ	T168	DRUM DUMPING HANDLE W/ GRIP - T168	1
8	TOCD038112	T176	HEX BOLT 3/8" X 1-1/2" - T176 - C141 - 226230	2
9	TCCS038GAL	T114	HEX LOCK NUT 3/8" - 227830 - T114 - C142	10
10	TCCS012GAL	T106	HEX LOCK NUT 1/2" - T106 - 227854 - C304	1
11	TOCD012134	T189	HEX BOLT HD 1/2" X 1 3/4" - T189 - 226660	1
12	0000GRH045	T102	DRUM BEARING, GREASE FITTING 45 DEG - T102 - 110689	2
13	0000BA20824	T175	BALL BEARING, 1746208-108 - 110450 - T175 (W/O GRS FITTING)	2
14	SM00300INT	T177	DRUM TRUNNION RETAINING RING 3" - T177	2
15	TOCL038112	T174	CARRIAGE BOLT 3/8" X 1-1/2" GR2 ZP - 117771 - 117771 - T174	8
16	0204SO01RJ	T589	MM12 DRUM DUMPING LOCK BAR - T589	1
17	0200KI01TN	T172	DRUM HUB SEALS KIT (ONE END) - T172	2
18	0200CO01TN	T173-2	TRUNNION 4 HOLES FOR 3/8" SCREWS - T173-2	1
19	0200LA01TN	T169	DRUM HUB STEEL SPACER - T169	2



PADDLE ASSEMBLY				
ITEM	SKU #	PART #	DESCRIPTION	MM12
1	0203CR01CH	T404	SQUARE MAIN SHAFT 1-3/4" X 43-5/8" - MM10/MM12 - T404	1
1	0220CR01FC	T654	SQUARE MAIN SHAFT MM12G 1-3/4" X ##-##/## MM12G - T654	
2	0204CO01AS-1	T606-2	PADDLE CENTER RIGHT MM12 - MM12G (1" GRIP) - T606-2	1
3	0204CO02AS-1	T408-2	CENTER PADDLE LEFT MM12 - MM12G (1" GRIP) - T408-2	1
4	0204CO04AS-1	T614-2	HITCH END, END PADDLE RIGHT ARM MM12 - MM12G (1" GRIP) T614-2	1
5	0204CO03AS-1	T609-2	ENGINE END, END PADDLE LEFT ARM MM12 - MM12G (1" GRIP) T609-2	1
6	0202CO02RP	T600	ENGINE END, END SCRAPER LEFT MM12 (1" GRIP) - T600	1
7	TOCD012312	N/A	HEX BOLT HD 1/2 X 3-1/2 (1" GRIP PADDLES) - 120520 - 226745	6*
8	TCCS012GAL	T106	HEX LOCK NUT 1/2" - T106 - 227854 - C304	6
9	0200TU01FC	T413	MAIN SHAFT BUSHING - T413	1
10	0200PL01FC	T152	MM PADDLE SHAFT PLAIN WASHER 3/16" - T152 - T162	2
11	RNRX038GAL	T113	LOCK WASHER 3/8 T113 - C144 - 176230	2
12	TOFD038100	T116	HEX BOLT 3/8 X 1 NF - 226210 - T116	2
13	TOCD038200	T145	HEX BOLT HD, GR5 3/8" X 2" - 226250 - T145 - C158	4
14	RNPX038GAL	T112	PLAIN WASHER 3/8" - T112 - C139 - 174986 - 701032 - C140	40
15	0201RF01AS	T180	CENTER PADDLE RUBBER BLADE MM6-MM12 - T186 - T307 - T312	4
16	0200SO01AS	T181	CENTER PADDLE STEEL BLADE MM6 - MM12 - T181 - T187 - T313	4
17	TCCS038GAL	T114	HEX LOCK NUT 3/8" - 227830 - T114 - C142	20
18	TOCD038112	T176	HEX BOLT 3/8" X 1-1/2" - T176 - C141 - 226230	18
19	0200RF02AS	T310	END PADDLE SIDE RUBBER BLADE MM8/MM10/HM12/HM16 - T310	2
20	0200SO02AS	T311	END PADDLE SIDE STEEL BLADE MM80/MM12 - T311	2
21	0202CO01RP	T598	HITCH END, END SCRAPER RIGHT MM12/MM12G (1" GRIP) - T598	1
22	0200KI03AS	T301	RUBBER BLADE KIT MM8-MM12-HM12	1

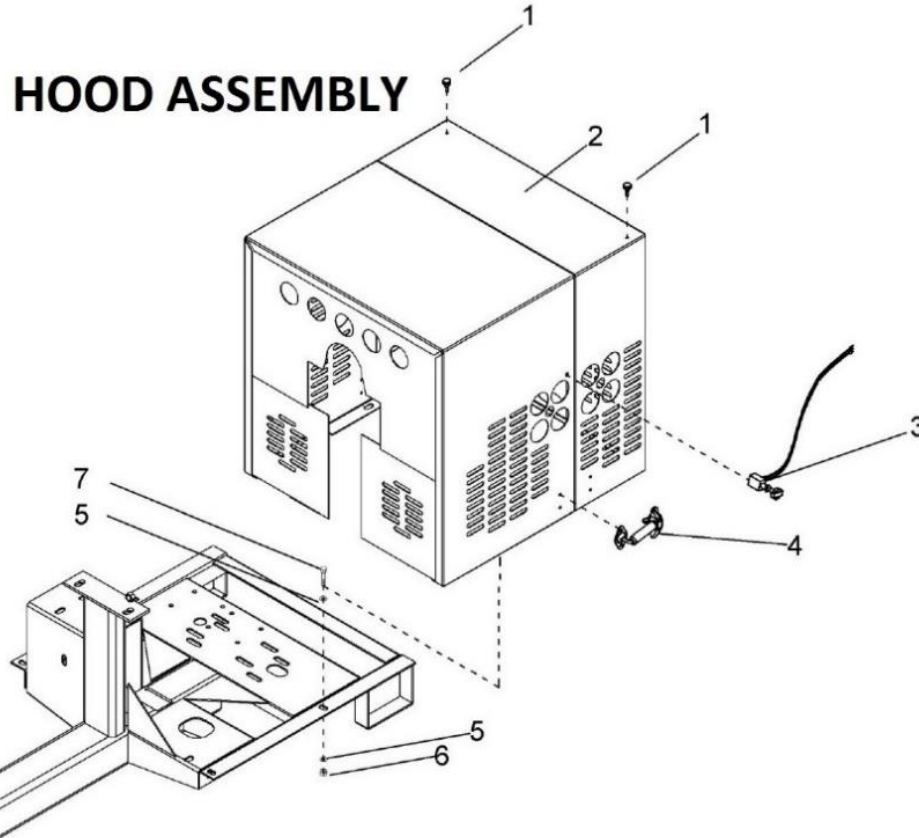
COMPLETE PADDLE/RUBBER KITS				
#	SKU #	PART #	DESCRIPTION	MM12
23	0204KI01AS-1	T606-3	COMPLETE PADDLE SET MM12 - MM12G (1" GRIP) - T606-3	1
24		496242	LEFT/RIGHT & STEEL PLATE SCRAPERS MM12 - MM12G	2
25	0204KI01ES	T206-3	MM12S SPIRAL BLADE KIT - T206-3	1

# FRAME ASSEMBLY MM



MM FRAME ASSEY				
#	MANUF. #	PART #	DESCRIPTION ENGLISH	MM12
1	0204CO01CH	T500	FRAME MM12 - T500	1
2	CAD3516GAL	T501	5/16 SAFETY CHAIN W/ OVAL SNAPS T501 - 609686 - 701012 - CA03316GAL	1
3	0000CO03LZ	T118-V	PINTLE HITCH VERTICAL HOLE - 702069 - T118 - C193	1
3	0000CO04LZ	T119-V	2" BALL HITCH VERTICAL HOLE - 702070 - T119	1
4	0111SR01LZ	T110	3/6" COTTER PIN CP-85H - SR00036EXT - T110 - 134955	1
5*	TCFN034GAL	T124	TOWING HITCH, HEX NUT, 3/4 NF - 701028 - T124 - C179 <b>(OBSOLETE)</b>	1
5	TCFN058GAL	T124-1	TOWING HITCH, HEX NUT, 5/8 NF - T124-1 - 701033	1
6*	RNRX034GAL	T123	TOWING HITCH, SPRING WASHER 3/4" - 174510 - T123 <b>(OBSOLETE)</b>	1
6	RNRX058GAL	T123-1	TOWING HITCH, SPRING WASHER 5/8" - T123-1 - 701032	1
7*	TOFD034312	T122	TOWING HITCH, HEX HEAD SCREW 3/4" X 3-1/2" - T122 - C148 - 226272 - 701001 <b>(OBSOLETE)</b>	1
7	TOFD058312	T122-1	TOWING HITCH, HEX HEAD SCREW 5/8" X 3-1/2" - T122-1 - 701035	1
8*	0000CR01LZ	T121	TOWING HITCH, LOCK PIN - T121 - C169 - 496088 - 702078 <b>(OBSOLETE)</b>	1
8	TOFD058312-A	T121-1	TOWING HITCH, LOCK PIN - T121-1 - 701031	1
9	0000RF01RJ	T166	CONTROL & DUMPING HANDLE GRIPS - 139350 - T166 (ROUND)	1
10	0000RF02TQ	T414	ENGAGEMENT HANDLE CHILD HAND GRIP - T414 - 701023	1
11	0203CO01CU	T415	ENGAGEMENT CONTROL HANDLE LEVER MM10 - T415	1
12	0200CO01CH	T107	TOWING/DUMPING LOCK PIN - T107	1
13	00PE038112	T505	CONTROL HANDLE LOCK PIN 3/8 X 1-1/2 - T505	1
14	TCCN012GAL	T190	HEX LOCK NUT 1/2" - T190 - C178 <b>(WELDED TO THE FRAME)</b>	1
15	TOCD012134	T189	HEX BOLT HD 1/2" X 1 3/4" - T189 - 226660	1
16	0000RF02CH	T126	MM DRUM BEARINGS DUST CAP - T126	1
17	00CHPI2300	T101	3" DRUM PILLOW BLOCK - T101	2
18	0000GRH045	T102	DRUM BEARING, GREASE FITTING 45 DEG - T102 - 110689	2
19	TOCD012212	T104	HEX BOLT HD 1/2" X 2-1/2" - T104 - C146 - 226690	4
20	RNPX012GAL	T105	PLAIN WASHER 1/2" - T105 - C172 - 174470	17
21	TCCS012GAL	T106	HEX LOCK NUT 1/2" - T106 - 227854 - C304	9
22	0000RF01CH	T109	TOWING/DUMPING, LOCK PIN SPRING - T109	1

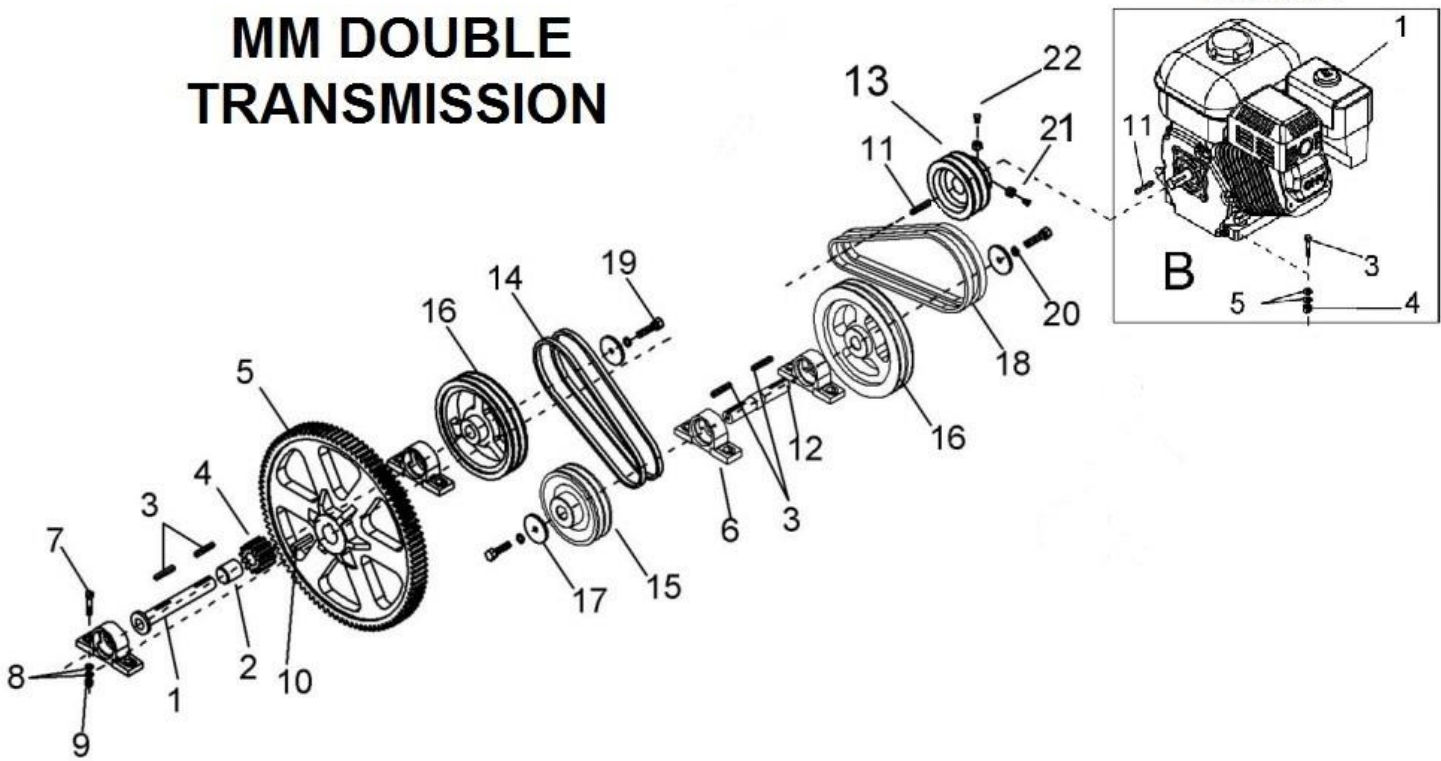
23	RNPX034GAL	T108	PLAIN WASHER 3/4" X 1-1/2 - 174996 - T108 - 248277	1
24	0200CO02CU	T140	IDLER ARM BRACKET (NO BEARING) - T140	1
25	0200CO04CU	T197	BEARING CLUTCH ASSEY WITH IDLER ARM BRACKET - T197	1
26	0200KI01CU	T197-1	BEARING IDLER CLUTCH ASSEMBLY (NO IDLER ARM BRACKET) - T197-1	1
27	0000RF01CU	T192	IDLER ARM (CLUTCH) SPRING - T192	1
28	0200CO03RD	T125-2	STANDARD 46" AXLE MM6-MM12 (NO HUBS) - T125-2	1
28	0200CO04RD	T125-3	STANDARD 46" AXLE ASSY MM6-MM12 (INCLUDING HUBS) - T125-3	1
29	0200KI03RD	T129-1	WHEEL HUB W/ 1" BRG L44643 & DUST CAP - 702071 - T129 - C135 (NEW STYLE)	2
30	0000CO01RD	T137	WHEEL & TIRE ASSY 165-80 R13" - T137 - 431081 - C136	2
31	0000RF10RD	T136-1	HIGH SPEED WHEELS HUB, DUST CAP (NEW STYLE) - T136-1	2



HOOD ASSEMBLY				
#	MANUF. #	PART #	DESCRIPTION	MM12
1	0000RF01GA	T158	RUBBER SCREW 1/4" FOR SHROUD - T158 - C159 - 201544	2
2	0221CO01GA	T601	MM12 SQUARE SHROUD ASSEY (BLACK) - T601 - T157-12	1
2	0220CO01GA	T601G	MM12G SQUARE SHROUD ASSEY (BLACK) - T601G	
3	0200KI01GA	T193	ENGINE KILL SWITCH ASSEY <b>RED</b> (WITH HARNESS) 701007 - T193	1
3	0200KI01GA	T195-1	ENGINE N.O KILL SWITCH <b>RED</b> (NO HARNESS) - 816769AS - 112500 - T195-1 - 290100	1
4	0000RF02GA	T160	SHROUD HOOK ASSEMBLY - T160 - C161 - 701004 - 201543	2
5	RNPX038GAL	T112	PLAIN WASHER 3/8" - T112 - C139 - 174986 - 701032 - C140	8
6	TCCS038GAL	T114	HEX LOCK NUT 3/8" - 227830 - T114 - C142	4
7	TOCD038112	T176	HEX BOLT 3/8" X 1-1/2" - T176 - C141 - 226230	4
8G	ASK FOR #		ENGINE SHROUD LID ACCESS CAP	N/A

ENGINE ASSEMBLY BREAK DOWN				
#	SKU #	PART #	DESCRIPTION	MM12
1	202013M	N/A	ENGINE HONDA 13 HP GX340 WITH 6:1 REDUCER	1
3	TOCD038200	C158	HEX BOLT HD, GR5 3/8" X 2" - 226250 - T145- C158	4
4	TCCS038GAL	C142	HEX LOCK NUT 3/8" - 227830 - T114 - C142	4
5	RNPX038GAL	C139	PLAIN WASHER 3/8" - T112 - C139 - 174986 - 701032 - C140	8
11	0200CU02TR	T147	ENGINE KEY 1/4 FOR 8HP & 13HP - T147 - 0405CC01CO	1

# MM DOUBLE TRANSMISSION



TRANSM. ASSEY MM				
#	SKU ##	PART #	DESCRIPTION	MM12
1	0204CR02TR	T474	MM12 TRANSMISSION SHAFT 1" X 6-1/2" (BULLGEAR END) - T474	1
2	0204CR03TR	T475	MM12 TRANSM BUSHING 1" X 1" - T475	1
3	0000CU01TR	T483	KEY 1/4 X 1-1/4 - 701027 - C152 - T483 - 0000CU01TR	4
4	0200CR04TR	T149	12 TH TRANSMISSION PINION 2-3/8" X 2 1/2" - T149	1
5	0200FG02TR	T151	96 TH TRANSMISSION BULL GEAR 14" - T151	1
6	00CHPI2100	T150	TRANSMISSION PILLOW BLOCK 1" - T150	4
7	TOCD038200	T145	HEX BOLT HD, GR5 3/8" X 2" - 226250 - T145- C158	8
8	RNPX038GAL	T112	PLAIN WASHER 3/8" - T112 - C139 - 174986 - 701032 - C140	16
9	TCCS038GAL	T114	HEX LOCK NUT 3/8" - 227830 - T114 - C142	8
10	0200CC01TR	T120	BULL GEAR KEY 3/8" X 2" - T120	1
11	0200CU02TR	T147	ENGINE KEY 1/4 FOR 8HP & 13HP - T147	1
12	0204CR01TR	T476	MM12 TRANSMISSION SHAFT 1" X 6-7/8" (BETWEEN PULLEYS) - T476	1
13	POFG3341002R	T154	PULLEY 3-3/4" CAL 1" X 2 GROOVES (2AK39X1) - 430990 - 702010 - T154	1
13	POFG2120582R	T154-3	PULLEY MOTOR, 2-1/2" X 5/8" 2 GROOVES (2AK2558) - T154-3	1
13	POFG2120782R	T1000	PULLEY MOTOR, 2-1/2" CAL 7/8" 2 GROOVES - T1000 - 239365	1
13	POFG2121182R	T1001	PULLEY MOTOR, 2-1/2 CAL 1-1/8 X 2 GROOVES - T1001	1
14	0000BNAX52	T155-1	DOUBLE TRANSMISSION BELT FOR MM12, AX52 - T155-1	2
15	POFG6001002R	T478	PULLEY 6" CAL 1" X 2 GROOVES - T478	1
16	POFG8001002R	T153	PULLEY 8" CAL 1" 2 GROOVES - T153-2	2
17	0200PL01FC	T152	MM PADDLE SHAFT PLAIN WASHER 3/16" - T152 - T162	3
18	0000BNAX37	T155	GAS ENGINE TRASMISSION BELT, AX37 - T155	2
19	TOFD038100	T116	HEX BOLT 3/8" X 1" NF - 226210 - T116	3
20	RNRX038GAL	T113	LOCK WASHER 3/8" - T113 - C144 -176230	2
21	OPCQ038100	T203	SET SCREW, 3/8 X 1" FOR 8HP - 13HP ENGINE PULLEY - T203	2
22	TCCN038GAL	T410	HEX NUT 3/8 NC - T410 - C142 - 227814	2