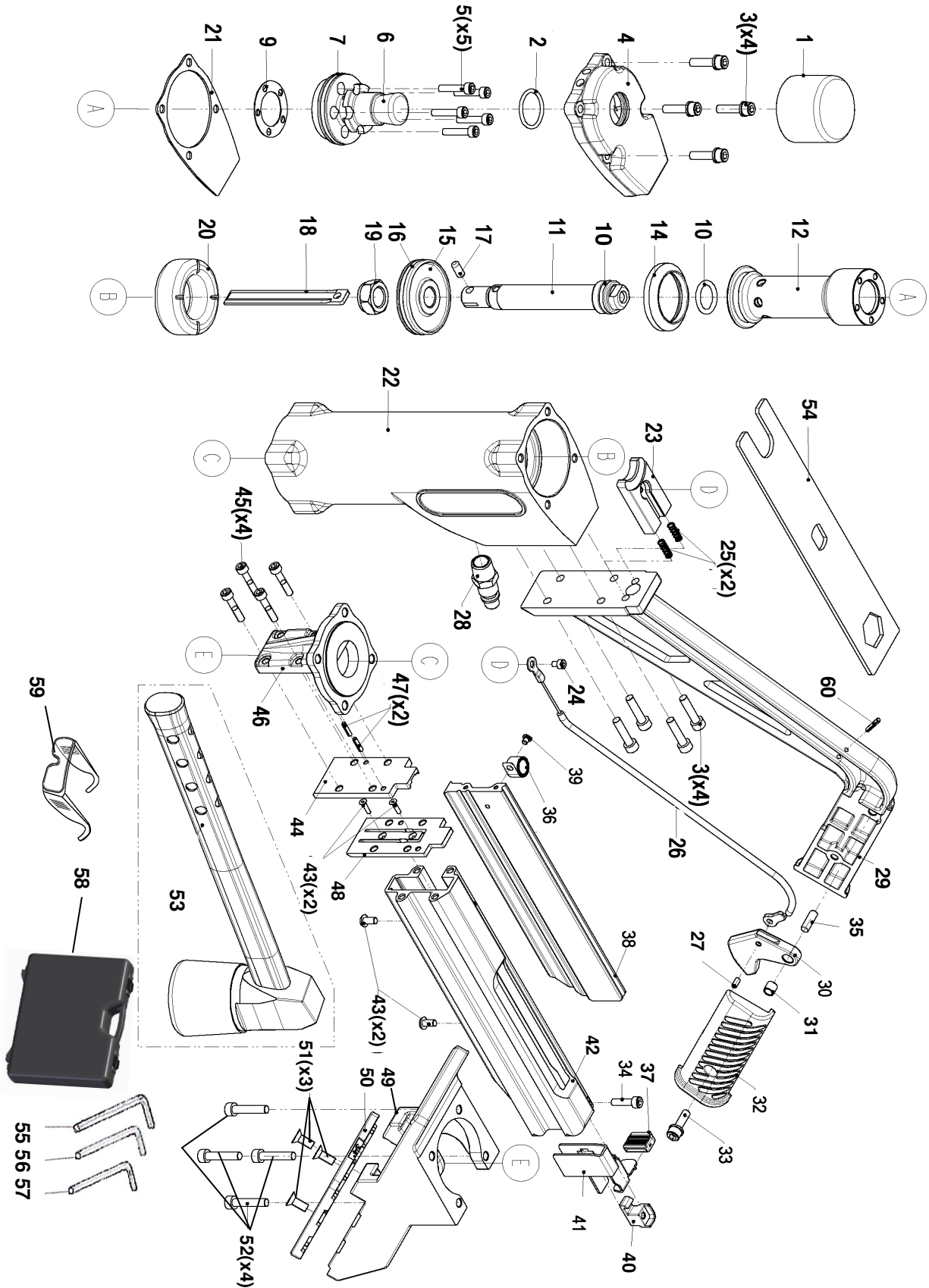


# MODEL 472A-Exploded View



## MODEL 472A—PARTS LISTING

ITEM NO.	PART NO.	DESCRIPTION	ITEM NO.	PART NO.	DESCRIPTION
1	47301	Ram Cap	49	47327	Shoe
2	47302	O-ring—Cap	50	47325	Shoe Base
3	47303	Screw - Cap	51	47324	Screw Shoe Base
4	47304	Cap	52	47326	Screw-Shoe/Foot
5	47305	Screw— Plunger	53	47392	Hammer
6	47306	Plunger	54	47388	Wrench
7	47307	O-ring— Plunger	55	47389	Hex Wrench 3mm
9	47311	Gasket	56	47390	Hex Wrench 4mm
10	47308	O-ring—Piston Rod	57	47391	Hex Wrench 5mm
11	47309	Piston Rod	58	47387	Carry Case
12	47312	Poppet	59	50170	Safety Glasses
14	47322	Seal—Poppet O.D.	60	47379	Roll Pin
15	47316	Piston	Not Shown	47364	Hammer Cap
16	47315	O-ring—Piston			
17	47310	Ball Pin			
18	47401	Driver Blade			
19	47317	Lock Nut			
20	47323	Piston Cushion			
21	47321	Plate			
22	47319	Body			
23	47335	Safety Plate			
24	47346	Screw - Safety Plate			
25	47349	Spring—Safety			
26	47351	Cable			
27	47383	Pin— Safety			
28	47352	Quick Connect Male			
29	47354	Handle			
30	47353	Safety Trigger			
31	47384	Spacer— Trigger			
32	47373	Cap— Handle			
33	47374	Screw— Handle Cap			
34	47337	Screw— Mag. Std. Off			
35	47354	Pin—Safety Trigger			
36	47344	Spring—Con. Force			
37	47405	Rubber Cover			
38	47406	Staple Guide Unit			
39	47407	Screw—Spring			
40	47408	Latch			
41	47409	Pusher Finger			
42	47410	Magazine			
43	47411	Screw—Nose			
44	47412	Driver Guide Plate			
45	47413	Screw—Foot/Mag.			
46	47414	Foot			
47	47332	Spring Pin—Foot			
48	47415	Nose Plate			