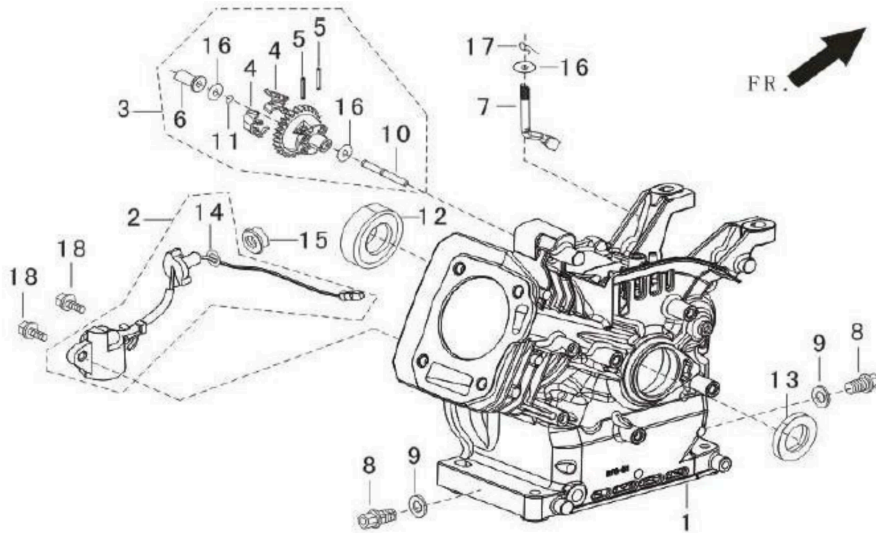




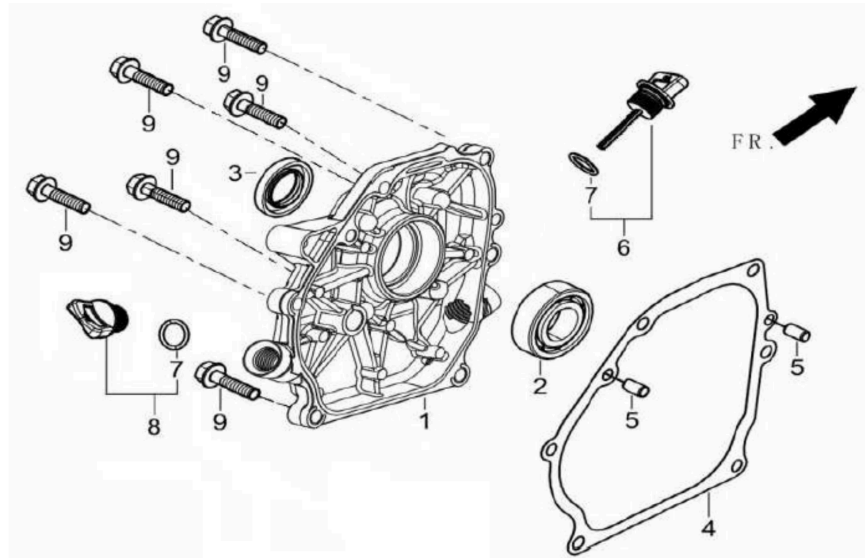
## Crankcase//Governor Gear Assembly



Id	Item #	Description	Quantity	Rev	Comments
1-01	1	CRANKCASE SUBASSEMBLY	45-0936		
1-02	1	SENSOR, ENGINE OIL	45-0474		
1-03	1	GEAR ASSY, GOVERNOR	45-0475		
1-07	1	ARM, GOVERNOR	45-0476		
1-08	2	BOLT, DRAIN PLUG	45-0477		
1-09	2	WASHE, FLAT	45-0530		
1-12	1	DEEP GROOVE BALL BEARING	45-0478		
1-13	1	SEAL, OIL	45-0479		
1-15	1	HEXAGON NUT WITH FLANGE	80-0396		
1-16	1	WASHER, FLAT	45-0480		
1-17	1	COTTER PIN	45-0328		
1-18	2	BOLT	80-0372		



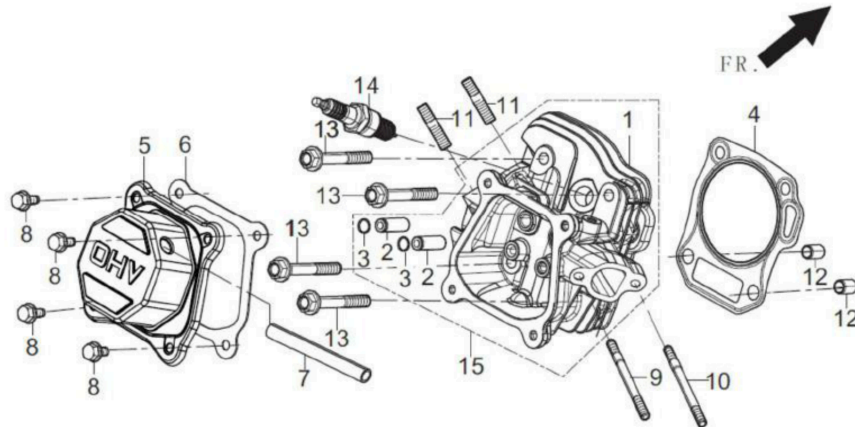
## Crankcase Cover Subassembly



Id	Item #	Description	Quantity	Rev	Comments
2-01	1	COVER, CRANKCASE	45-0937		
2-02	1	DEEP GROOVE BALL BEARING	45-0478		
2-03	1	SEAL, OIL	45-0479		
2-04	1	GASKET, CRANKCASE	45-0482		
2-05	2	POSITION PIN - TYPE A	45-0329		
2-06	1	DIPSTICK SUBASSEMBLY, OIL	45-0838		
2-08	1	PLUG SUBASSEMBLY, ENGINE OIL	45-0938		
2-09	6	HEX SOCKET FLANGE FACE BOLT	80-0410		



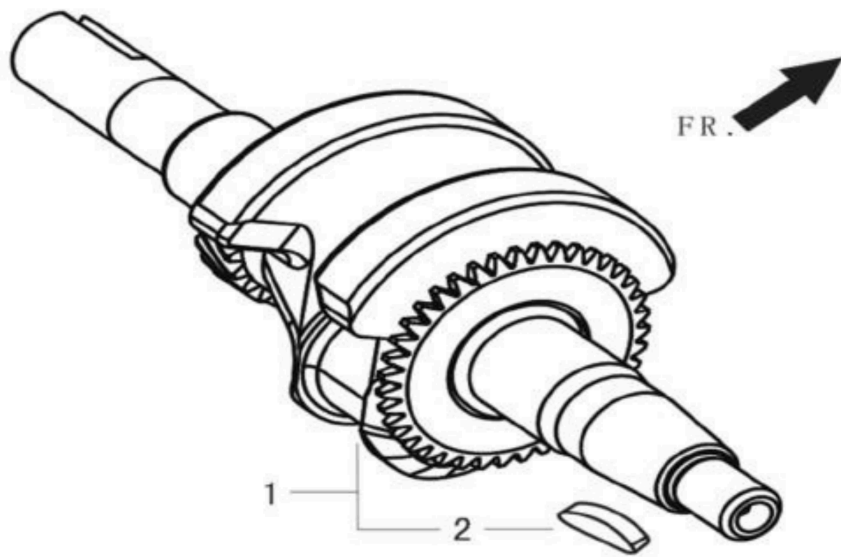
## Spark Plug, Cylinder Head Subassembly



Id	Item #	Description	Quantity	Rev	Comments
3-04	1	GASKET, CYLINDER HEAD	45-0463		
3-05	1	CYLINDER HEAD COVER SUBASSEMBLY	45-0536		
3-06	1	CYLINDER HEAD COVER GASKET	45-0537		
3-07	1	TUBE, BREATHER	45-0538		
3-08	4	HEX SOCKET FLANGE FACE BOLT	80-0405		
3-09	1	STUD BOLT	45-0467		
3-10	1	STUD BOLT	45-0684		
3-11	2	STUD BOLT	45-0468		
3-12	2	POSITION PIN - TYPE A	80-0421		
3-13	4	CYLINDER HEAD BOLT	80-0415		
3-14	1	PLUG, SPARK	80-0414		
3-15	1	HEAD SUBASSEMBLY, CYLINDER	45-0540		



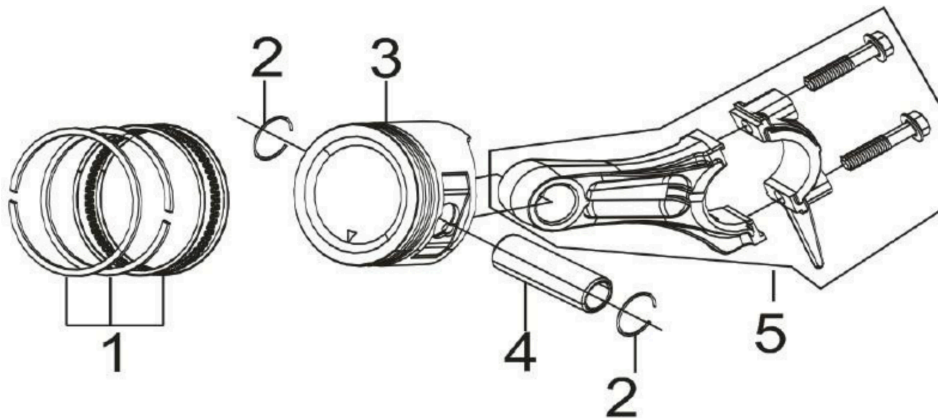
## Crankshaft Connecting Rod



Id	Item #	Description	Quantity	Rev	Comments
4-01	1	CRANKSHAFT ASSY.	45-0484		



## Piston Subassembly



Id	Item #	Description	Quantity	Rev	Comments
5-01	1	RING ASSY, PISTON	45-0843		
5-02	2	CLIP, PISTON PIN	80-0696		
5-03	1	PISTON	45-0485		
5-04	1	PIN, PISTON	45-0486		
5-05	1	ROD, CONNECTING	45-0487		

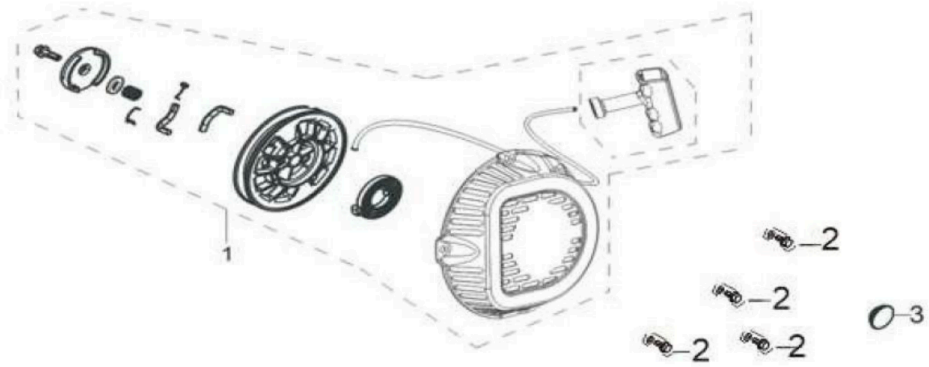


## Valve Train//Camshaft Subassembly

Id	Item #	Description	Quantity	Rev	Comments
6-01	1	CAMSHAFT ASSY.	45-0491		
6-03	1	VALVES SET	45-0845		
6-05	2	SEAT, VALVE SPRING	80-0435		
6-06	4	CLAMP, VALVE LOCK	80-0436		
6-07	2	SPRING, VALVE	80-0434		
6-08	1	GUIDE, SEAL	45-0846		
6-09	2	TAPPET, VALVE	80-0437		
6-10	2	LIFTER, VALVE	45-0498		
6-11	1	LIFTER STOPPER PLATE	45-0499		
6-12	2	ROCKSHAFT BOLT	45-0270		
6-13	2	ROCKER, VALVE	45-0500		
6-14	2	NUT VALVE ADJUSTING	80-0698		
6-15	2	NUT, VALVE LOCK	45-0269		



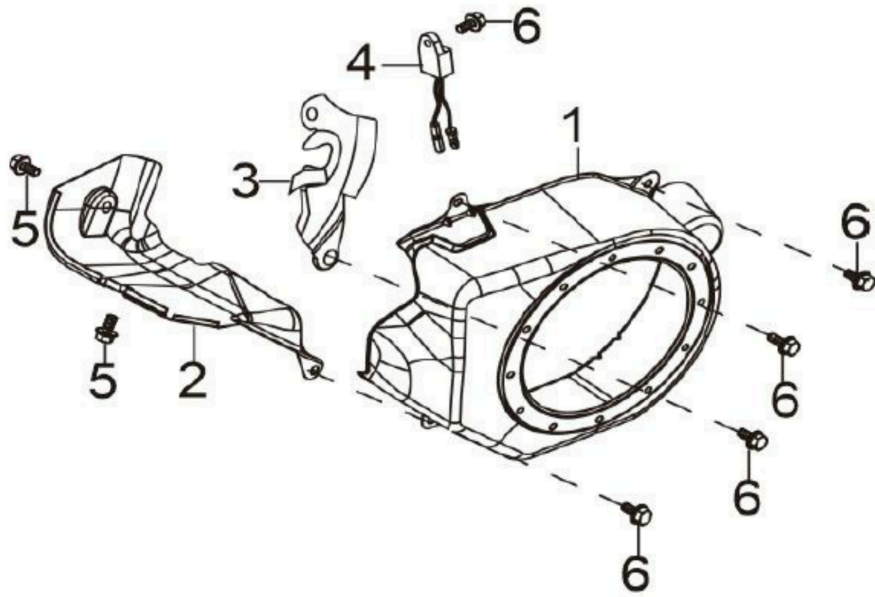
## Recoil Starter



Id	Item #	Description	Quantity	Rev	Comments
7-01	1	STARTER ASSY, RECOIL	45-0502		
7-02	4	BOLT AND WASHER	45-0381		
7-03	1	PLUG, END	45-0916		



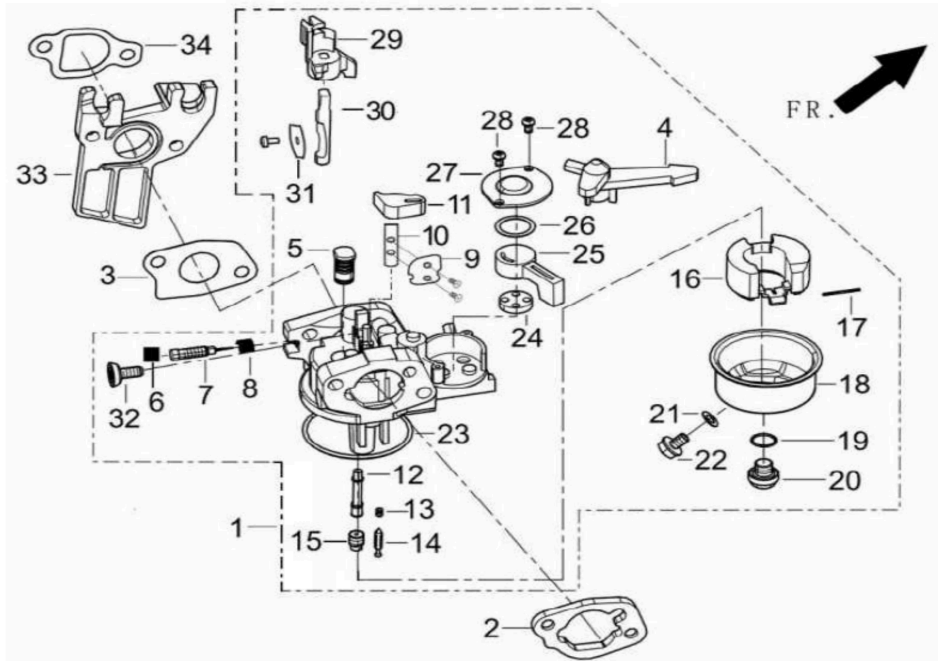
## Shrouds



Id	Item #	Description	Quantity	Rev	Comments
8-01	1	SHROUD	45-0939		
8-02	1	SHROUD, CYLINDER BODY	45-0940		
8-03	1	SHIELD, LOWER	45-0917		
8-04	1	PROTECTOR, OIL	45-0313		
8-05	2	BOLT	45-0533		



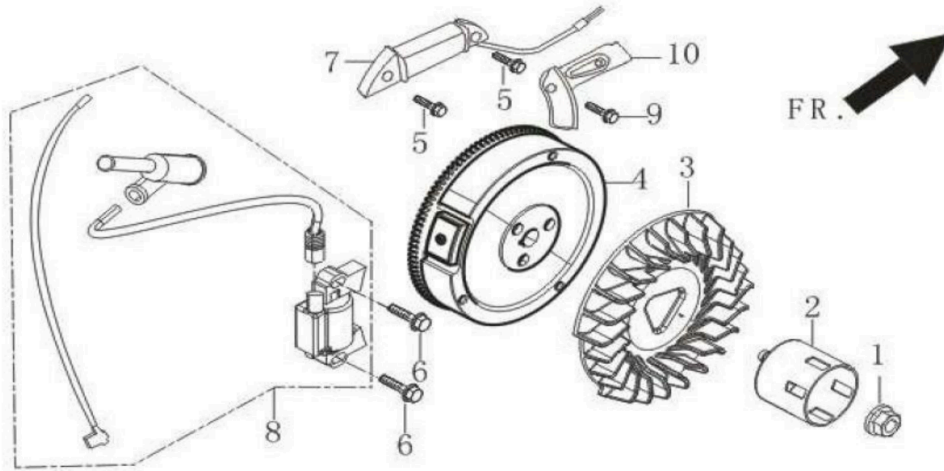
## Carburetor Assembly



Id	Item #	Description	Quantity	Rev	Comments
9-01	1	CARBURETOR ASSY.	45-0941		
9-02	1	AIR CLEANER SEAL GASKET	45-0509		
9-03	1	CARBURETOR SEAL GASKET	45-0201		
9-33	1	PLATE, CARBURETOR INSULATOR	45-0510		
9-34	1	GASKET, CARBURETOR INSULATOR	45-0851		



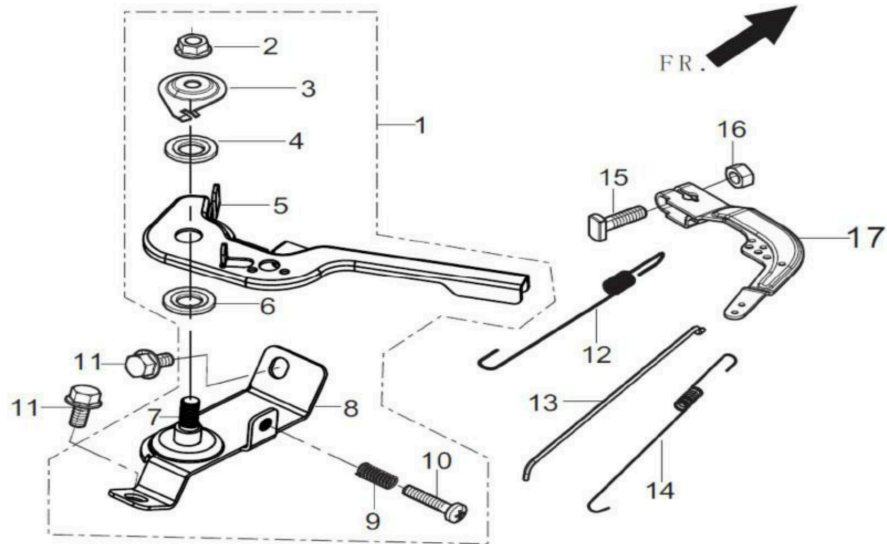
## Flywheel//Impeller/Starter Pulley/Ignition Coil



Id	Item #	Description	Quantity	Rev	Comments
10-01	1	NUT, FLYWHEEL	80-0455		
10-02	1	PULLEY,STARTER	45-0521		
10-03	1	IMPELLER	45-0522		
10-04	1	FLYWHEEL SUBASSEMBLY	45-0942		
10-05	2	HEX SOCKET FLANGE FACE BOLT	80-0400		
10-06	2	HEX SOCKET FLANGE FACE BOLT	80-0467		
10-07	1	COIL SUBASSEMBLY, CHARGE	45-0441		
10-08	1	COIL, IGNITION	45-0943		
10-09	1	HEX SOCKET FLANGE FACE BOLT	45-0533		
10-10	1	CLAMP, CHARGE COIL	45-0918		



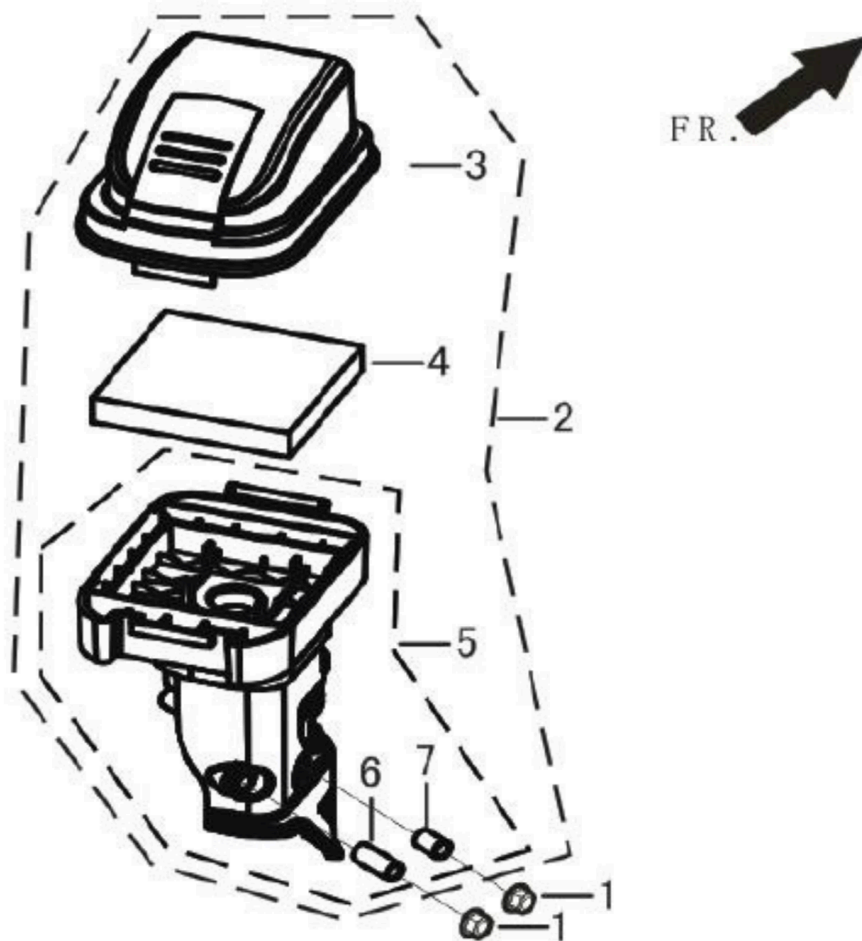
## Throttle Control Assembly



Id	Item #	Description	Quantity	Rev	Comments
11-01	1	CONTROL ASSY, THROTTLE	45-0944		
11-11	2	BOLT	45-0533		
11-12	1	SPRING, GOVERNOR	45-0945		
11-13	1	ROD, GOVERNOR	45-0527		
11-14	1	SPRING, THROTTLE VALVE RETURNING	45-0528		
11-15	1	BOLT, GOVERNOR SUPPORT	45-0282		
11-16	1	HEXAGON NUT WITH FLANGE	80-0469		
11-17	1	GOVERNOR BRACKET SUBASSEMBLY	45-0529		



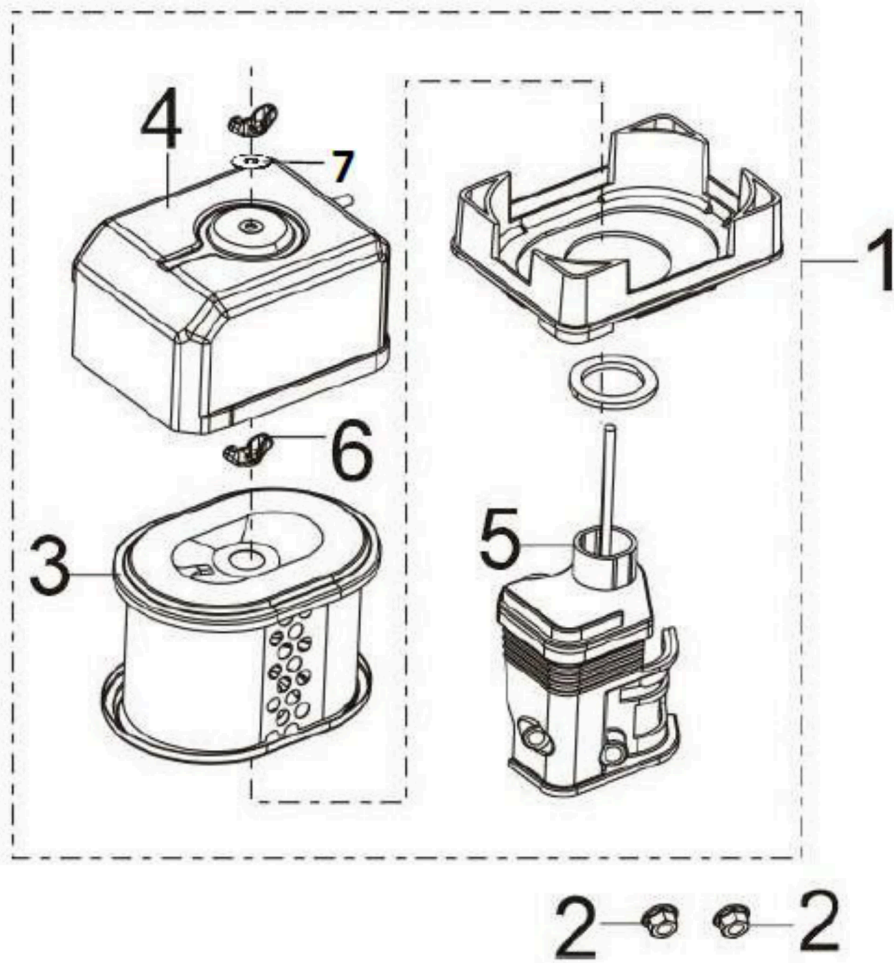
## Air Cleaner (Before sn Pending)



Id	Item #	Description	Quantity	Rev	Comments
12-01	2	HEXAGON NUT WITH FLANGE	80-0469		
12-02	1	AIR CLEANER	45-0946		
12-03	1	COVER, AIR CLEANER CASE	45-0919		
12-04	1	ELEMENT, AIR CLEANER	45-0686		
12-05	1	ELBOW SUBASSEMBLY, AIR CLEANER	45-0920		



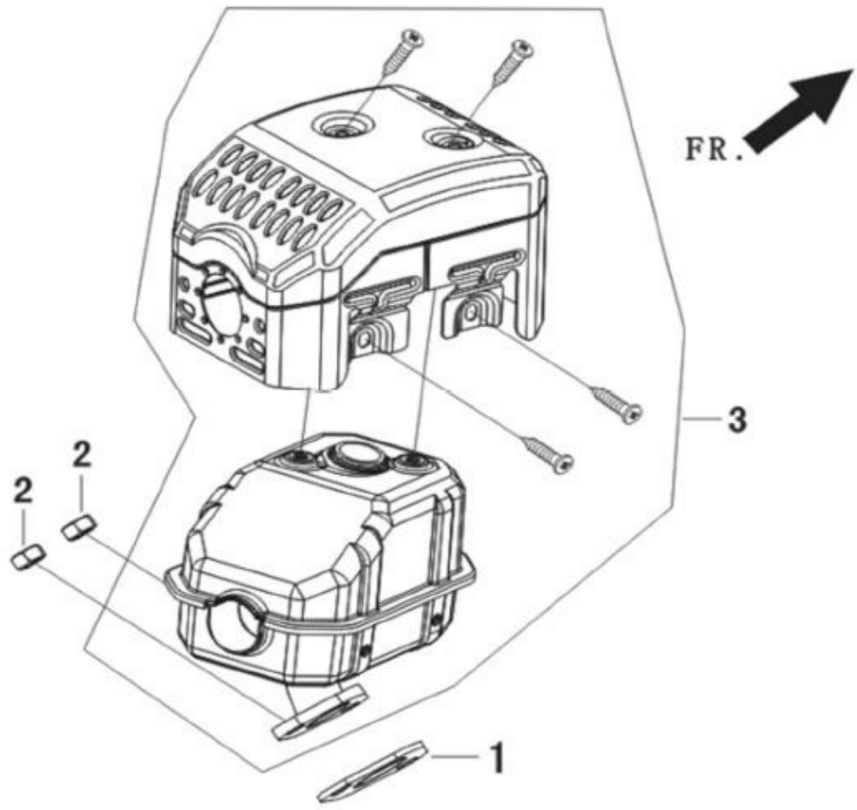
## Air Cleaner (After sn Pending)



Id	Item #	Description	Quantity	Rev	Comments
13-01	1	AIR FILTER ASSEMBLY - 212CC	45-0901		
13-02	2	HEXAGON NUT WITH FLANGE	80-0469		
13-03	1	AIR FILTER	45-0902		
13-04	1	AIR FILTER COVER - 212CC	45-0903		
13-05	1	AIR FILTER SUBASSEMBLY	45-0904		
13-06	2	BUTTERFLY NUT - STAMPED	45-0905		
13-07	1	SEALING WASHER - 1/4" NEOPRENE	28-1072		



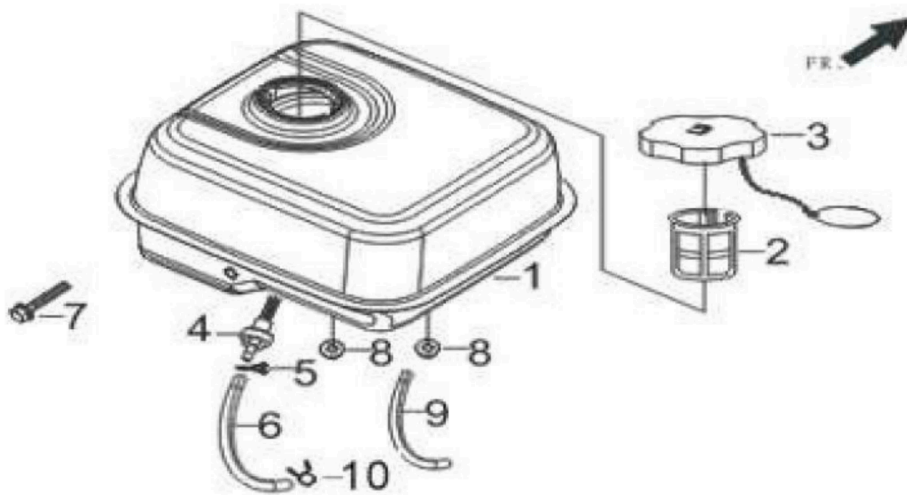
# Muffler Assembly



Id	Item #	Description	Quantity	Rev	Comments
14-01	1	GASKET, EXHAUST OUTLET	45-0513		
14-02	2	HEXAGON NUT	80-0476		
14-03	1	MUFFLER ASSY.	45-0947		



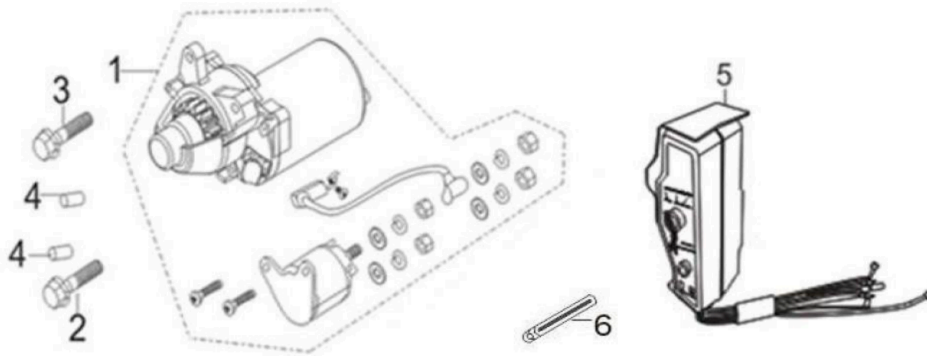
## Fuel Tank Assembly



Id	Item #	Description	Quantity	Rev	Comments
15-01	1	FUEL TANK	45-0515		
15-02	1	STRAINER FUEL	45-0411		
15-03	1	COVER, FUEL TANK	45-0948		
15-04	1	OUTLET SUBASSEMBLY, FUEL TANK OIL	45-0933		
15-05	1	COLLAR	45-0950		
15-06	1	TUBE, FUEL	45-0518		
15-07	1	BOLT	80-0521		
15-08	2	HEXAGON NUT WITH FLANGE	80-0469		
15-09	1	JACKET, RUBBER	45-0519		
15-10	1	PIPE CLAMP	80-0453		



## Motor Starter Assembly



Id	Item #	Description	Quantity	Rev	Comments
16-01	1	STARTING MOTOR ASSEMBLY	45-0921		
16-02	1	HEX SOCKET FLANGE FACE BOLT	80-0722		
16-03	1	HEX SOCKET FLANGE FACE BOLT	80-0467		
16-04	2	POSITION PIN	45-0922		
16-05	1	CONTROL SWITCH	45-0923		
16-06	1	WIRE CLIP	80-0592		