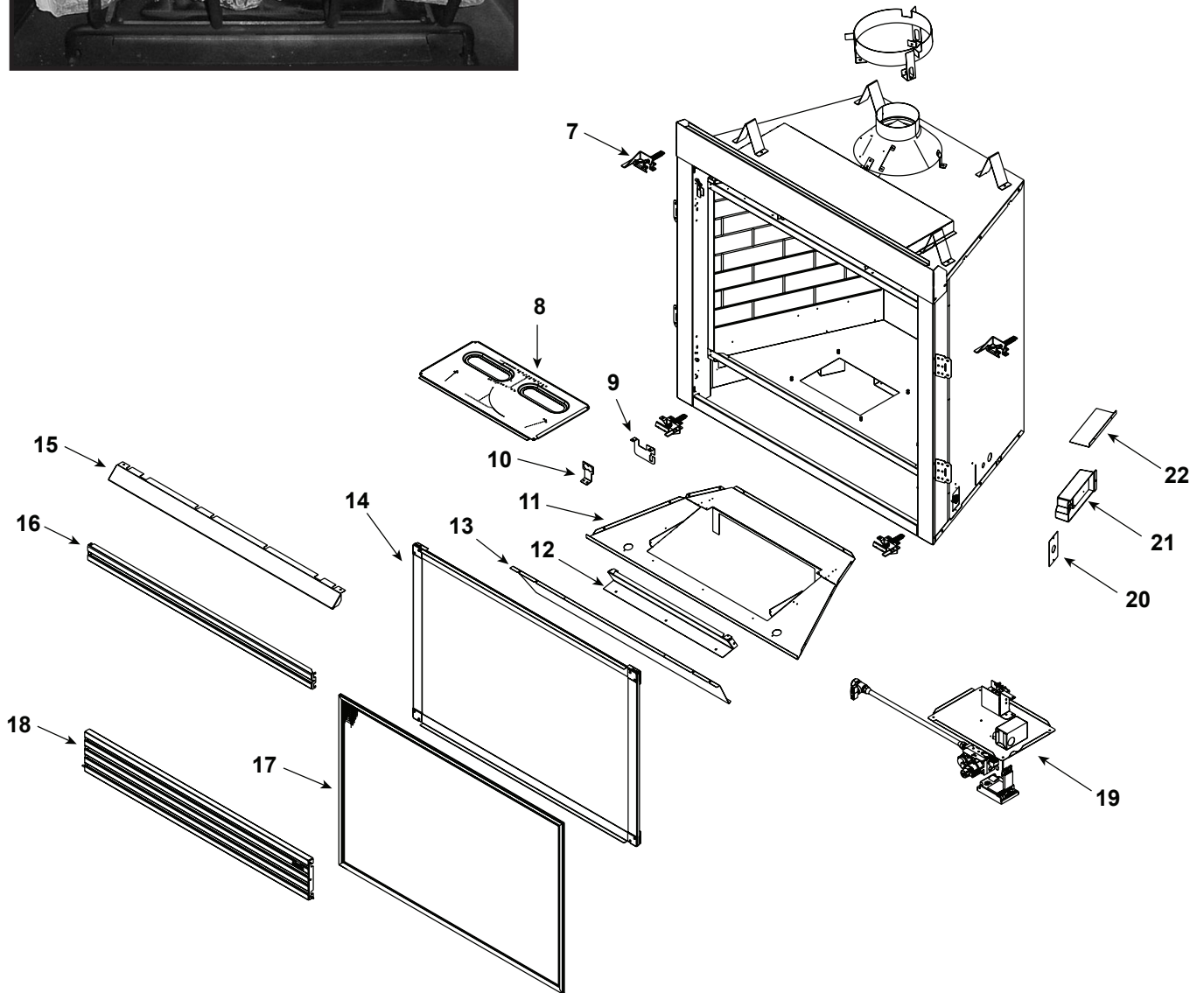
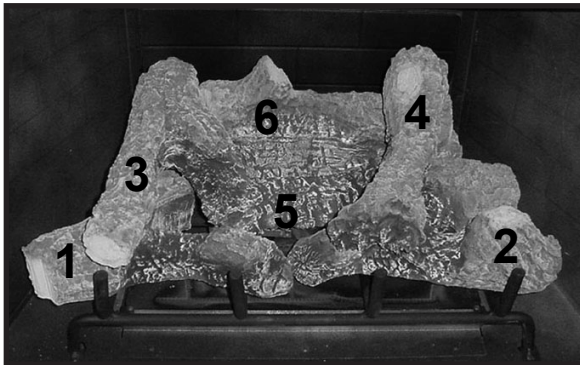


### Log Set Assembly



Part number list on following page.

IMPORTANT: THIS IS DATED INFORMATION. Parts must be ordered from a dealer or distributor. **Hearth and Home Technologies does not sell directly to consumers.** Provide model number and serial number when requesting service parts from your dealer or distributor.

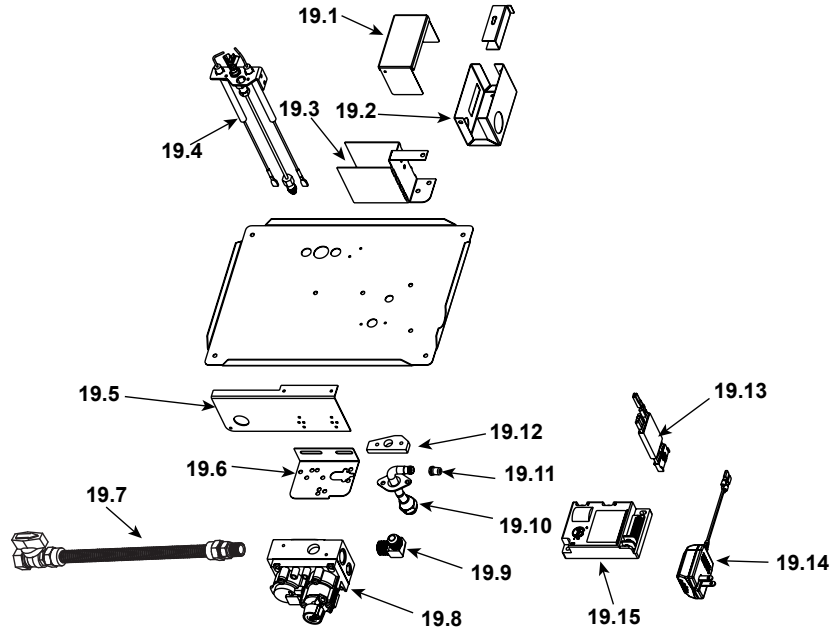


Stocked  
at Depot

ITEM	DESCRIPTION	COMMENTS	PART NUMBER	
	Log Assembly		4040-051	Y
1	Front Y Log	<b>Must order complete Log Assembly</b>	SRV4040-200	
2	Front Log		SRV4040-201	
	Top Log Assembly		4040-038	Y
3	Top Y Log		SRV4040-202	
4	Top Log		SRV4040-203	
5	Middle Log		SRV4000-316	
6	Back Log Assembly		SRV4040-204	
7	Glass Clip Support Assembly	Pkg of 2	33858/2	Y
8	Burner Pan Assembly		4040-093	Y
9	Handle Bracket		34636	
10	Grate Retainer	<b>No longer available</b>	4040-272	
11	Hearth Pan		4040-255	
12	Burner Support		4040-259	
13	Glass Heat Shield		4040-153	
14	Glass/Frame Assembly		4040-087	Y
15	Hood		29575	
16	Grille Assembly - Upper		4031-082	
17	Screen Assembly		4040-031	Y
18	Grille Assembly - Lower		25016	
19	Valve Assembly		<b>Refer to valve page</b>	
20	Junction Box Cover Plate		SRV4031-222	
21	Junction Box (Plastic)		SRV4021-013	Y
22	Junction Box Radiation Shield		4031-193	
	Battery Pack		SRV593-594	Y
	Cord Clip		14218	
	Gas Access Panel		31636	
	Glass Kit w/Screen	<b>No longer available</b>	4040-033	
	Lava Rock Bag Assembly		4040-094	
	Lava Rock		4021-296	
	Mineral Wool		SRV14333	
	Vermiculite (small)		28746	
	Limit Switch		4021-642	Y
	Nailing Flange	Qty. 4 req.	31190	
	Refractory Back		4040-298	
	Screen Bracket	Qty. 2 req.	SRV28159	Y
	Conversion Kit NG		DCKVN	Y
	Conversion Kit LP		DCKVP	Y
	Installation Instructions Caliber II		4040-225	

Additional service part numbers appear on following page.

### #19 Valve Assembly



IMPORTANT: THIS IS DATED INFORMATION. Parts must be ordered from a dealer or distributor. **Hearth and Home Technologies does not sell directly to consumers.** Provide model number and serial number when requesting service parts from your dealer or distributor.



**Stocked  
at Depot**

ITEM	DESCRIPTION	COMMENTS	PART NUMBER	
19.1	Shutter Box Top		4040-190	
19.2	Shutter Box Bottom		4040-189	
19.3	Pilot Bracket	Pre GA1563745	4040-273	
		Post GA1563745 Thru June 2008	4047-126	
		Post June 2008	4047-144	
19.4	Pilot Assembly, NG	Pre GA1563745	4021-584	Y
		Post GA1563745	4021-324	Y
	Pilot Assembly, LP	Pre GA1563745	4021-585	Y
		Post GA1563745	4021-325	Y
19.5	Valve Bracket - Upper		4040-193	
19.6	Valve Bracket - Lower		31824	
19.7	Flex Ball Valve Assembly		SRV302-320	Y
19.8	Valve	NG	750-500	Y
		LP	750-501	Y
19.9	3/8 Flare x 3/8 NPT Elbow		SRV4021-045	
19.10	Bulkhead	<b>No longer available</b>	4031-192	Y
19.11	Threaded Orifice (.101) NG		4021-200	Y
19.12	Bulkhead Insulation		4021-043	
19.13	Wire Assembly		SRV593-590	Y
19.14	3V Adapter Plug		SRV593-593	Y
19.15	Control Module		<b>SRV593-592</b>	Y
	Wall Switch Wire Assembly M/M		SRV2118-170	Y