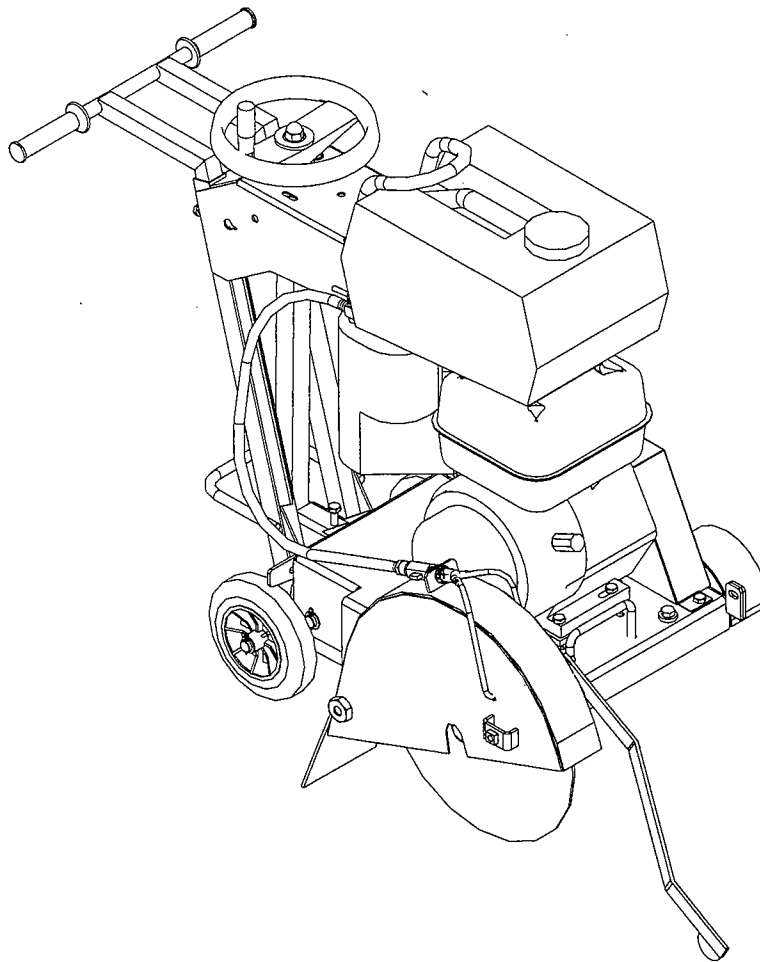


OWNERS MANUAL

Small Concrete Saw



MODEL:
PC13

V BELTS (SET OF 4) 80519

WATER TANK COMPLETE

83357

PRO
PRODUCTS

IV. PARTS LIST SECTION

A. Ordering Information

1. List model number and serial number of machine.
2. List part number and serial number of part not the item number.
3. Wherever alternate parts are shown due to product improvement, inspect the part you have and provide additional description as necessary.
4. Specify mode of shipping desired, such as, parcel post, truck, U.P.S., best way, etc.

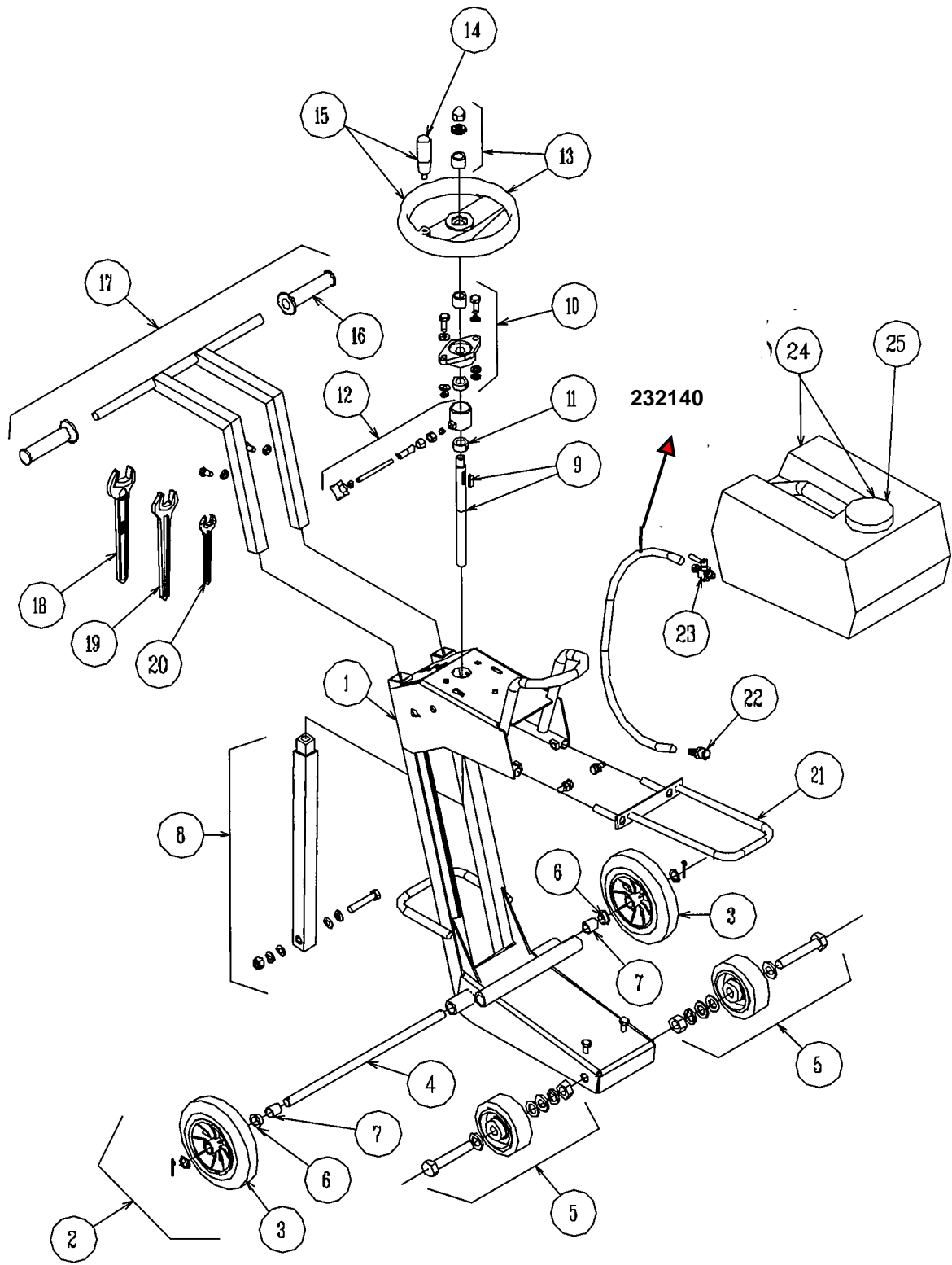
For the nearest Pro-Cut distributor call 1-800-527-1403

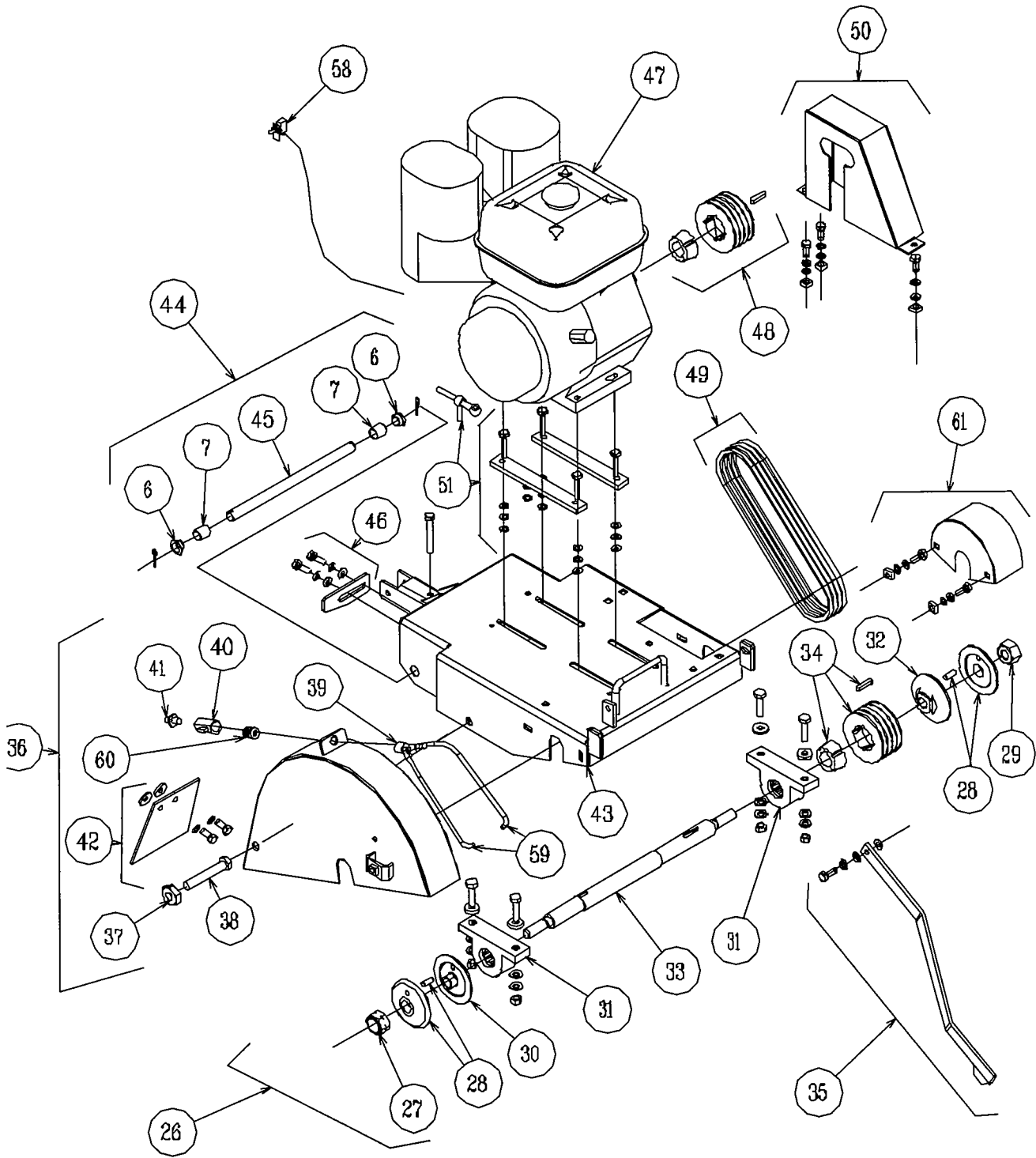
Common Replacement Parts

Description	Part Number
Belts V-belts XPZ 737/740 (set of 4)	80519
Blade Shaft Nut $\frac{3}{4}$ -16 Left Hand Thread (Operators Right Side Of Saw)	227156
Blade Shaft Nut $\frac{3}{4}$ -16 Right Hand Thread (Operators Left Side Of Saw)	227191
Collar Tight (Operators Right Side)	227159
Collar Tight (Operators Left Side)	227190
Collar Loose Assembly (With Pin)	227247
Drive Pin $\varnothing 3/8$ x 1	227154
Bearing Blade Shaft (1)	72474
Front Wheel Complete (1)	82786
Rear Wheel (1)	80991
Wrench 1-1/2"	105377
Wrench 32mm	82910
Wrench 17mm	72279

NOTE: All Parts Are Sold As Individual (each) Unless Noted Otherwise

Blades Use Only Pro-Cut Diamond Blades. Contact your local Pro-Cut Distributor or Pro-Cut at 1-800-527-1403 for the best blade for the application.



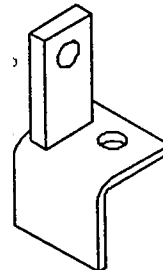


Item	DESCRIPTION	Qty	Part No
1	Basic Frame	1	83352
2	Rear axle assy.	1	82784
3	Rear Wheel	2	80991
4	Rear axle	1	82785
5	Front wheel complete	2	82786
6	Bushing Iglidur 20/23/11	4	80999
7	Bushing Iglidur (set of 2)	2	80297
8	Screw Feed.Spindle	1	82787
9	Raise-lower screw + key	1	83353
10	Bearing + Screw	1	76670
11	Stop ring A20	1	82789
12	Depth screw locking	1	83354
* 13	Handwheel + nut	1	76357
14	Handle	1	73428
15	Handwheel + Handle	1	76465
16	Handle Grip 1/2"	2	243633
17	Maneuvering bar cpl.	1	83355
18	Wrench 1"1/2	1	105377
19	Wrench 32mm	1	82910
20	Wrench 17mm	1	72279
21	Water Tank support	1	82792
22	Connector for Hose	1	9600017
23	Water cock	1	72357
** 24	Water tank complete	1	83357
25	Stopper for Water tank	1	82794
26	Blade shaft assy.	1	83358
27	Nut blade shaft right side (left threaded)	1	227156
28	Loose collar	2	227247
29	Nut blade shaft left side (right threaded)	1	227191
30	Inside collar right side (left threaded)	1	227159
31	Bearing for blade shaft	2	72474
32	Inside collar left side (right threaded)	1	227190
33	Blade shaft	1	83421
34	Blade shaft pulley	1	76347
35	Pointer Complete	1	80448
36	Blade guard assy	1	83365
37	Blade guard nut	1	83366
38	Blade guard axle	1	83367
39	Water distributor-Y	1	72286
40	Water supply tape 1/2"	1	107859

* NUT ONLY 76357A

** Once 83357 Inventory is depleted, Use 00310486962

Item	DESCRIPTION	Qty	Part No
41	Hose coupling	1	227116
42	Blade splash guard	1	82800
43	Motor frame	1	63369
44	Axle motor frame cpl	1	82802
45	Axle motor frame	1	82803
46	Brake complete	1	82804
47	Motor Honda	1	123327
48	Motor pulley compl.	1	81012
49	V-belts XPZ 737/740 (set of 4)	1	80519
50	Belt guard compl.	1	83371
51	Screws for motor (Set complete)	1	82814
58	Motor stop switch	1	227115
59	Water hose (set of 2)	1	82998
60	Reduction	1	83218
61	Blade shaft guard	1	83363



pointer bracket 99612-2