

OPERATION AND PARTS MANUAL

STOW

A DIVISION OF MULTIQUIP INC.

SVA-SERIES VIBRATOR MOTOR

MODEL SVA-1

MODEL SVA-2

MODEL SVA-2E

MODEL SVA-3

MODEL SVA-3E

Revision #1 (06/13/07)

THIS MANUAL MUST ACCOMPANY THE EQUIPMENT AT ALL TIMES.

P/N 36685LUL

STOW — SVA-SERIES VIBRATOR MOTOR

Proposition 65 Warning	2
Silicosis/Respiratory Warnings	3
Table Of Contents	4
Parts Ordering Procedures	5
Safety Message Alert Symbols	6
Rules For Safe Operation	7-9
Specifications	10
Decals	11
Preparation	12
Operation	13
Maintenance	14-16
Troubleshooting	17
Vibrator Motor Housing	18-19
Vibrator Motor Assembly	20-21
Terms and Conditions of Sale	22

SVA-SERIES — OPERATION AND SAFETY DECALS

Machine Safety Decals

The SVA-SERIES VIBRATOR MOTOR is equipped with a number of operation and safety decals. These decals are provided for operator safety and maintenance information. Should any of these decals become unreadable, replacements can be obtained from your dealer.



P/N 00100-45LUL



P/N 00100-49LUL



P/N 00100-53LUL



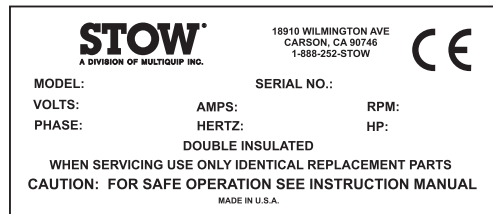
P/N 00100-51LUL



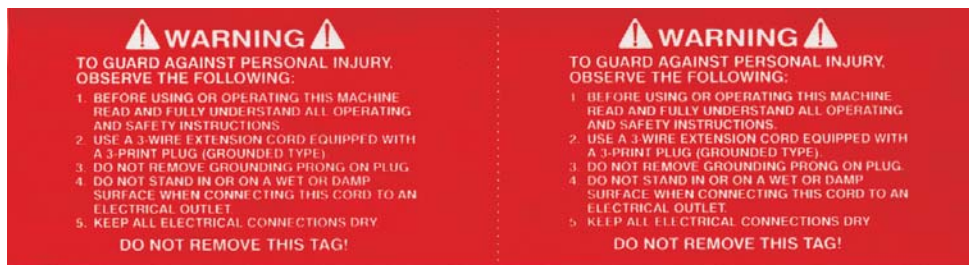
P/N 00100-55LUL



P/N 00100-46



CONTACT SERVICE DEPARTMENT

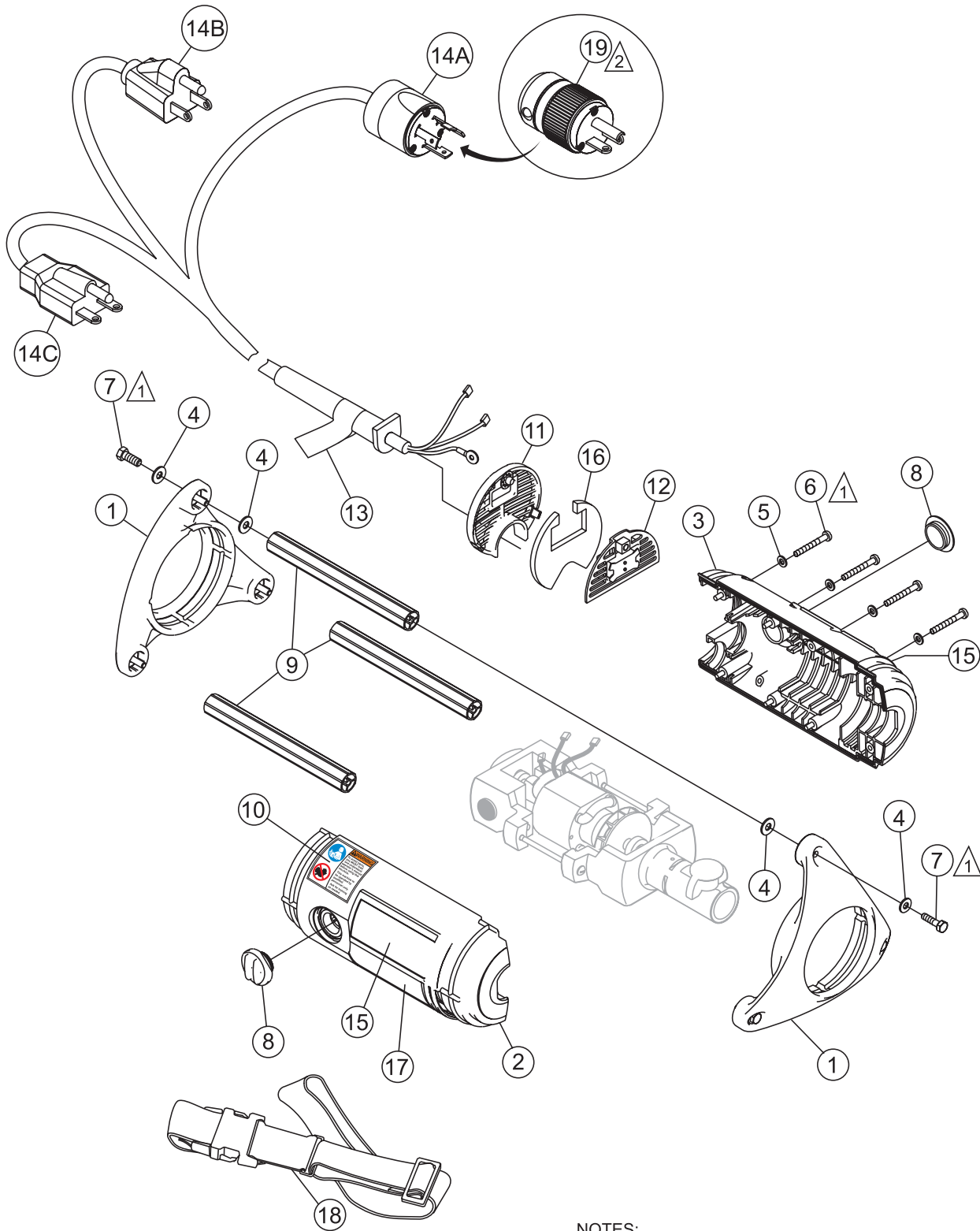


P/N 00100-44

Figure 3. Decals

SVA-SERIES — VIBRATOR MOTOR HOUSING ASSY.

VIBRATOR MOTOR HOUSING ASSY.



NOTES:

▲1 TORQUE TO 30-50 IN.-LBS. (3.39 N-m to 5.65 N-m)

▲2 OPTIONAL PLUG FOR SVA3

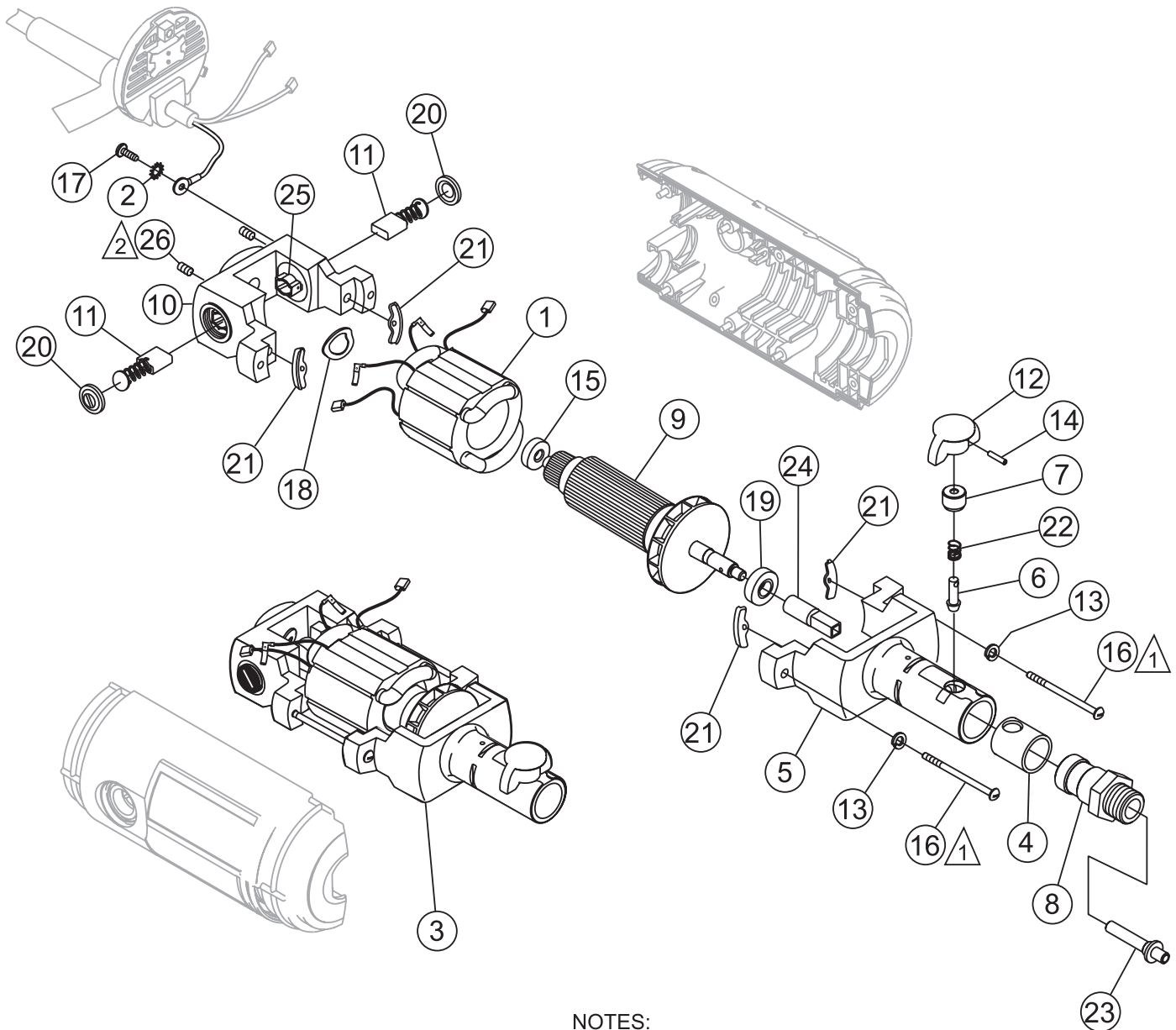
SVA-SERIES — VIBRATOR MOTOR HOUSING ASSY.

VIBRATOR MOTOR HOUSING ASSY.

<u>NO.</u>	<u>PART NO.</u>	<u>PART NAME</u>	<u>QTY.</u>	<u>REMARKS</u>
1	50125-03	END CAP, RUBBER	2	
2	50125-07	HOUSING, PLASTIC WITH INSERTS	1	
3	50125-08	HOUSING, PLASTIC WITHOUT INSERTS	1	
4	52003-04	WASHER, FLAT 1/4"	12	
5	52003-10	WASHER, LOCK M5	8	
6	53701-01	SCREW, PAN HEAD M5 X 40MM	8	
7	53701-02	SCREW, M6 X 1 X 16MM	6	
8	57001-04	CAP, BRUSH ACCESS	2	
9	65001-21	HANDLE TUBE EXTRUSION	3	
10	00100-46	DECAL, SAFETY	1	SAFETY ITEM
11	8200-002	COVER, PLASTIC FILTER ASSY.	1	
12	8200-003	SWITCH PLATE ASSY.	1	
13	00100-44	DECAL, WARNING	1	SAFETY ITEM
14A	8006-010	POWER CORD, 3HP 115V NEMA L5-20P	1	REPLACES 44000-08
14B	8006-011	POWER CORD, 1HP/2HP 115V NEMA 5-15P	1	REPLACES 44000-09
14C	8006-012	POWER CORD, 2HP/3HP 230V NEMA 6-15P	1	REPLACES 44000-10
15	00100-45LUL	DECAL, SVA-1 115V	2	
15	00100-49LUL	DECAL, SVA-2 115V	2	
15	00100-51LUL	DECAL, SVA-2 230V	2	
15	00100-53LUL	DECAL, SVA-3 115V	2	
15	00100-55LUL	DECAL, SVA-3 230V	2	
16	50000-03	AIR FILTER	1	
17		TAG, SERIAL NUMBER	1	CONTACT SALES DEPT.
18	CS-1	CARRYING STRAP	1	OPTIONAL EQUIPMENT
19	7196K34	PLUG W/O CORD 5-20P	1	SVA3 ONLY, OPTIONAL

SVA-SERIES — VIBRATOR MOTOR ASSY.

VIBRATOR MOTOR ASSY.



NOTES:

- ① TORQUE TO 50-70 IN.-LBS. (5.65 N-m to 7.91 N-m)
- ② TORQUE TO 4-6 IN.-LBS. (.5 N-m to .7 N-m).
TO REMOVE SET SCREW, USE A 3/32 ALLEN WRENCH.
WHEN REPLACING SET SCREW, ADD 2-3 DROPS OF
#680 LOCTITE (GREEN) IN SET SCREW HOLE.

SVA-SERIES — VIBRATOR MOTOR ASSY.

VIBRATOR MOTOR ASSY.

<u>NO.</u>	<u>PART NO.</u>	<u>PART NAME</u>	<u>QTY.</u>	<u>REMARKS</u>
1	3061-045	FIELD ASSY, 1HP 115V SVA-1	1	
1	3061-044	FIELD ASSY, 2HP 115V SVA-2	1	
1	3061-047	FIELD ASSY, 2HP 230V SVA-2	1	
1	3061-043	FIELD ASSY, 3HP 115V SVA-3	1	
1	3061-046	FIELD ASSY, 3HP 230V SVA-3	1	
2	52003-12	WASHER, STAR #10	2	
3	1000-055	MOTOR ASSY, 1HP 115V SVA-1	1	
3	1000-056	MOTOR ASSY, 2HP 115V SVA-2	1	
3	1000-057	MOTOR ASSY, 2HP 230V SVA-2	1	
3	1000-058	MOTOR ASSY, 3HP 115V SVA-3	1	
3	1000-059	MOTOR ASSY, 3HP 230V SVA-3	1	
4	6100-003	BUSHING, BRONZE WEAR	1	
5	8100-015	END BELL ASSY, OUTPUT 1HP	1	
5	8100-016	END BELL ASSY, OUTPUT 2HP	1	
5	8100-017	END BELL ASSY, OUTPUT 3HP	1	
6	7200-001	LOCK PIN, QUICK DISCONNECT	1	
7	7200-002	HOUSING, SPRING	1	
8	7200-004	SHAFT COUPLING, QD 314V (SVA-1)	1	
8	7200-003	SHAFT COUPLING, QD 382V (SVA-2/2E-3/3E)	1	
9	8001-045	ARMATURE & BEARING ASSY, 1HP 115V SVA-1	1	
9	8001-044	ARMATURE & BEARING ASSY, 2HP 115V SVA-2	1	
9	8001-047	ARMATURE & BEARING ASSY, 2HP 230V SVA-2	1	
9	8001-043	ARMATURE & BEARING ASSY, 3HP 115V SVA-3	1	
9	8001-046	ARMATURE & BEARING ASSY, 3HP 230V SVA-3	1	
10	8005-030	END BELL ASSY, COMM.	1	
11	43000-03	BRUSH ASSY, CARBON	2	
12	50125-04	KNOB, PLASTIC QUICK DISCONNECT	1	
13	52003-05	WASHER, LOCK #10	2	
14	53002-09	PIN, SLOTTED PIN 5/32 X 1	1	
15	55005-03	BEARING, REAR	1	
16	53001-14	SCREW, #10-32 X 4.00	2	
17	53101-04	SCREW, GROUND 10 - 32 X .375	1	
18	56000-06	WAVE SPRING	1	
19	55008-03	BEARING, FRONT	1	
20	57001-02	CAP, BRUSH	2	
21	59001-06	INSULATOR, PLASTIC FIELD	4	
22	59999-08	SPRING, COMPRESSION	1	
23	90004-03	SHAFT, SPINDLE 314V SVA-1	1	
23	90004-01	SHAFT, SPINDLE 382V SVA-2/2E-3/3E	1	
24	90004-02	DRIVE COUPLER, QUICK DISCONNECT	1	
25	57000-03	BRUSH HOLDER	2	
26	53051-01	BRUSH HOLDER SET SCREW #10-32 X .375	2	