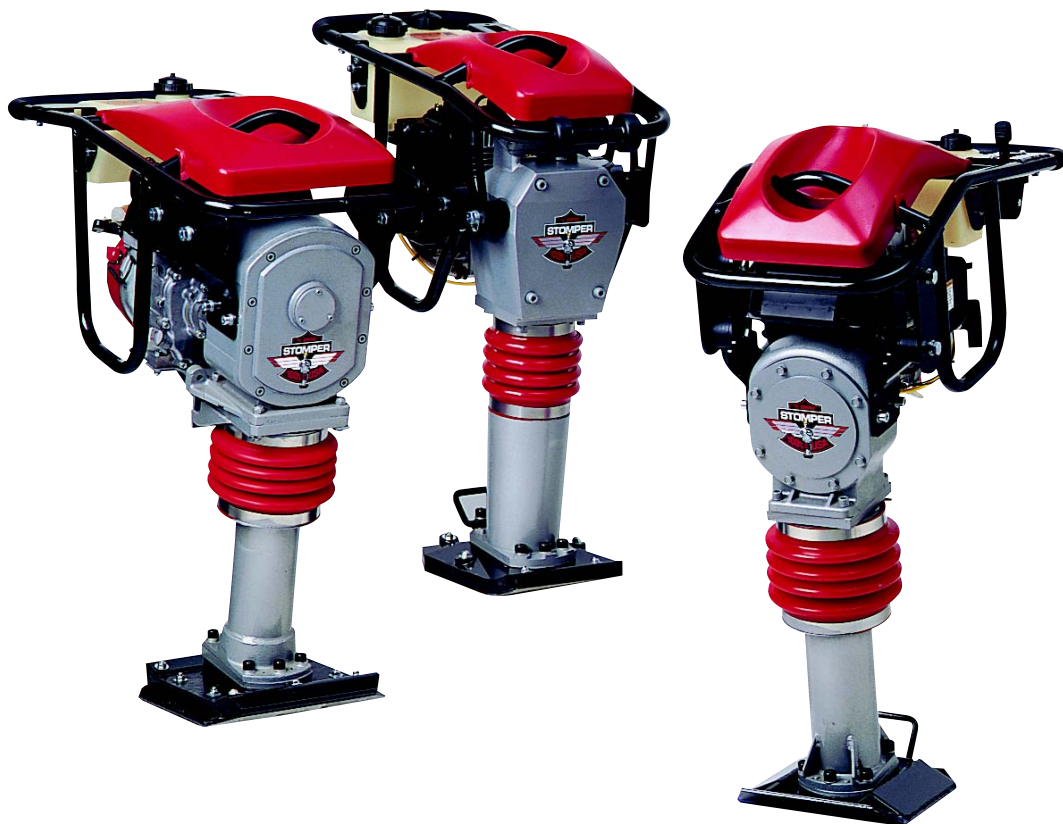




OPERATOR/SERVICE MANUAL

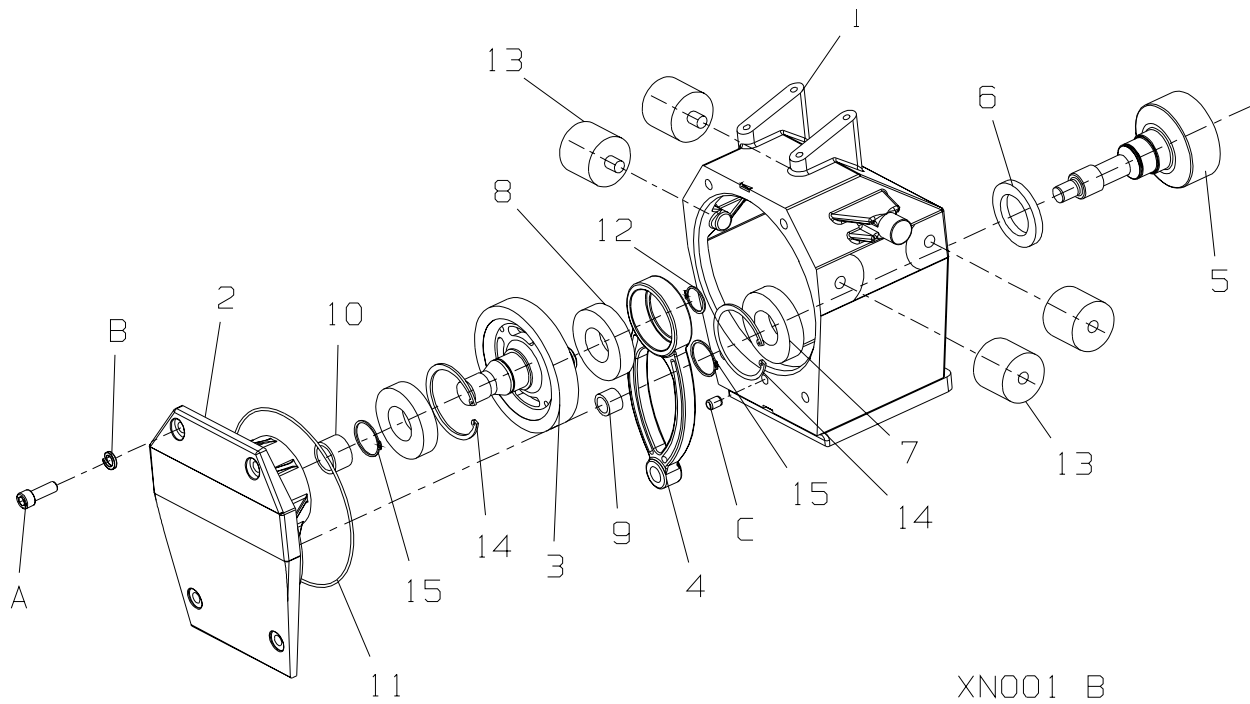
MODEL: XN650R, XN650ROI, XT728R,
XT728ROI, XM832R, XM832ROI,
XJ834HG, XD836Y



STOMPER® - 2 Cycle Oil Injected and Pre-Mix,
4 Cycle and Diesel

A 100% employee-owned American manufacturer

8.2 Gearcase for XN Oil Injected and Pre-Mix

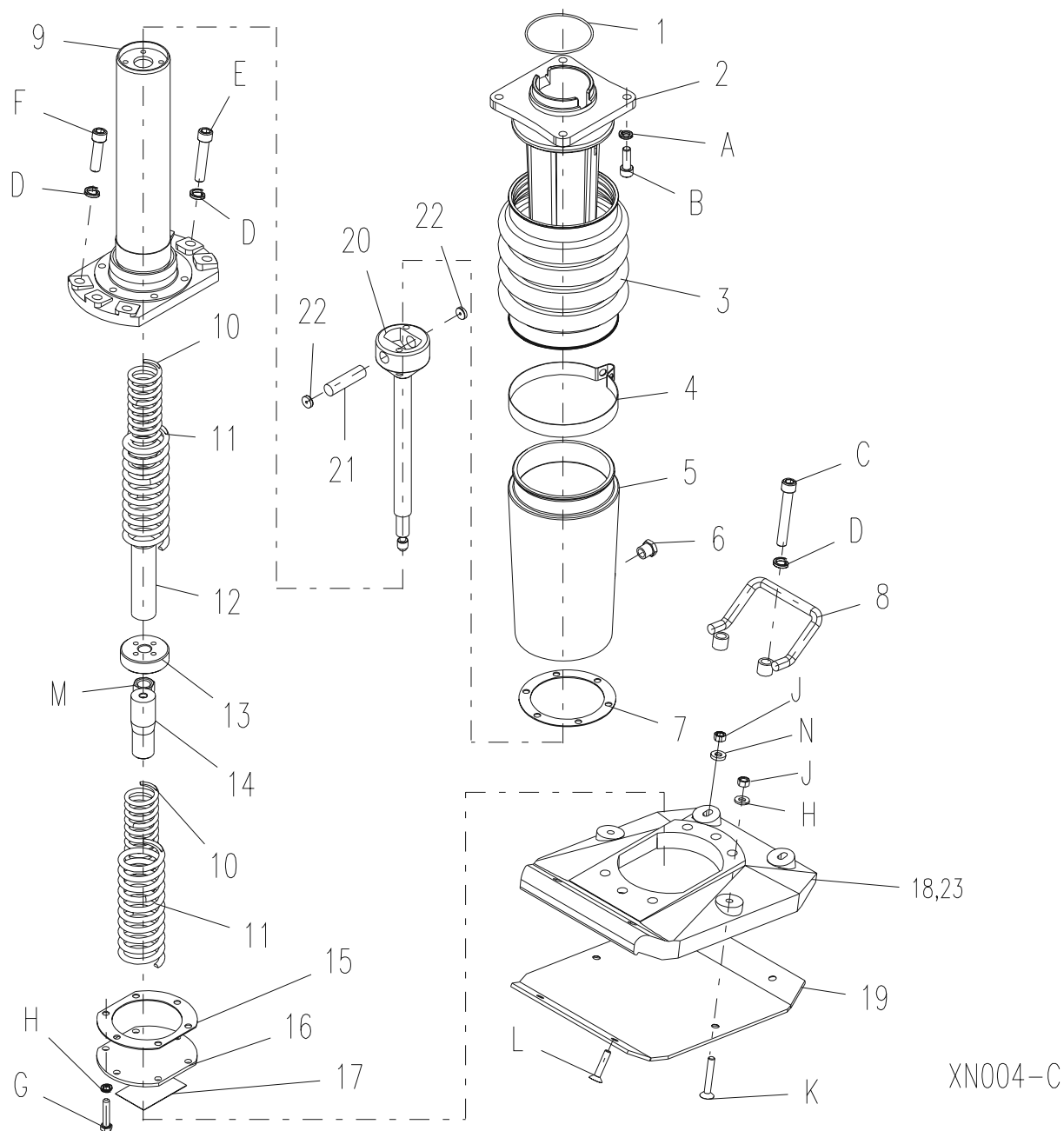


8.2 Gearcase for XN Oil Injected and Pre-Mix

Item	Part No.	Description	Qty.
1	39373	Gear Case, Machined	1
2	39376	Cover Front, Machined	1
3	39379	Gear Helical Crank	1
4	39380	Connecting Rod, Machined	1
5	39388	Pinion Helical	1
6	39435	Seal Shaft 1.563	1
7	39428	Bearing Ball	2
8	39429	Baring Ball	1
9	39431	Bearing Needle	1
10	39430	Bearing Needle	1
11	39437	O-Ring 2.62MM x 177.47 MM	1
12	39432	Ring External .984	1
13	39425	Shock Mount	4
14	39434	Ring Internal 2.812	2
15	39433	Ring External 1.375	2

Item	Part No.	Description	Qty.	DIN
A	80872	SHCS M10 - 1.5 x 30 8.8 ZN	4	912
B	80804	WSHRL M10 Split ZN	4	127B
C	80543	PINDL 3/8 OD x 1/2 LG	1	-

8.7 Lower Unit - XN Oil Injected and Pre-Mix



THE SPRING RETAINING BASE PLATE RETAINS HEAVY SPRINGS UNDER COMPRESSION. FOLLOW THE INSTRUCTIONS (BASE PLATE REMOVAL LOCATED ON PAGE 53 OF THIS MANUAL) CAREFULLY OR SEVERE PERSONAL INJURY MAY OCCUR.

8.7 Lower Unit - XN Oil Injected and Pre-Mix

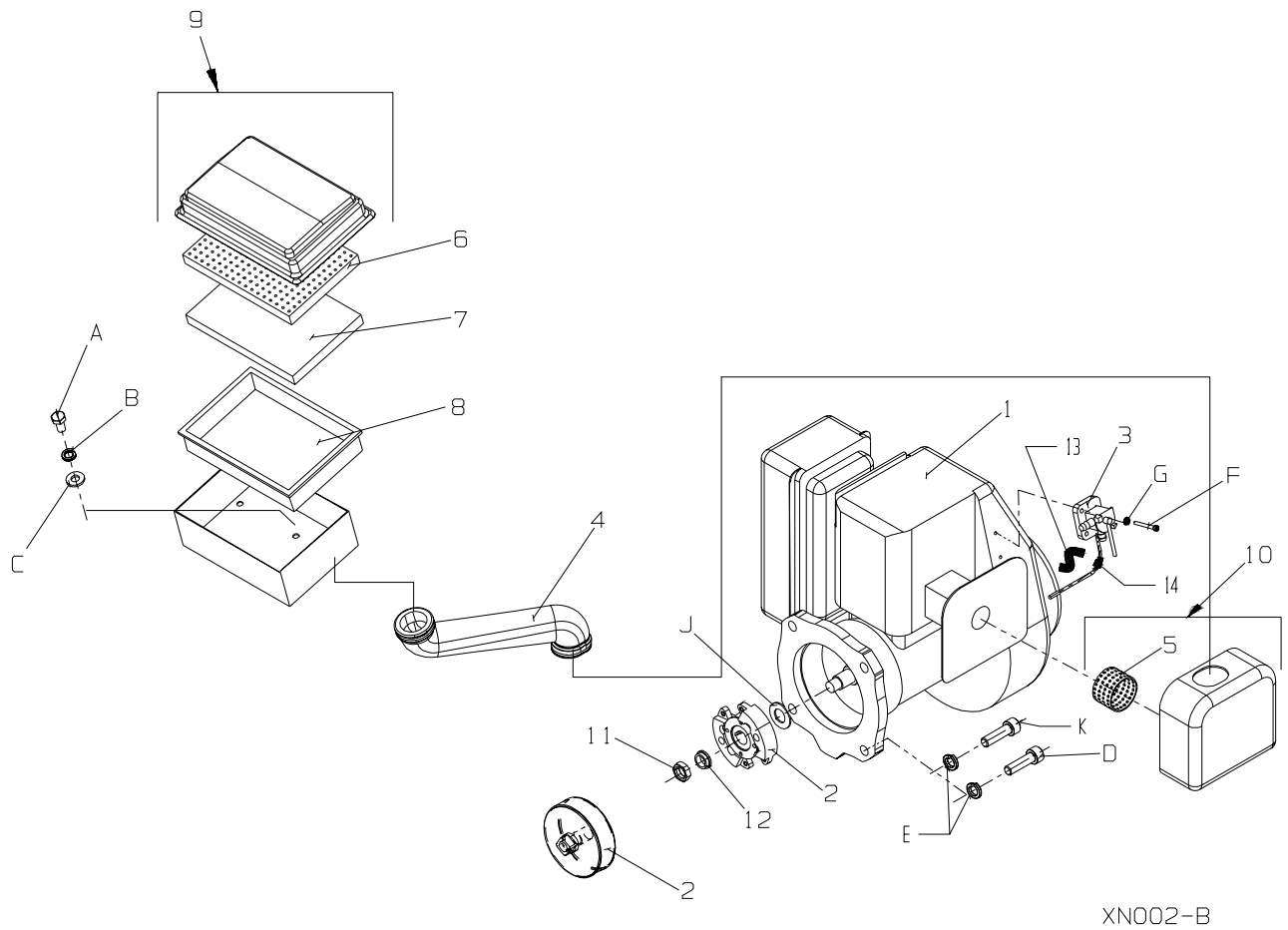
Item	Part No.	Description	Qty.	
1	39438	O-Ring 2.5mm x 85mm	1	
2	39374	Guide Tube Machined	1	
3	39372	Boot	1	
4	39439	Boot Clamp 650-85	2	
5	39377	Cover Spring HSG Machined	1	
6	34096	Oil Sight Plug	1	
7	39399	Gasket Spring HSG Cover	1	
8	39405	Lifting Grip Weldment	1	
9	39398	Spring HSG Weldment	1	
10	39382	Spring Inner	2	
11	39383	Spring Outer	2	
12	39384	Snubber Axial, Top	1	
13	39389	Puck Piston Guide	1	
14	39385	Snubber Axial, Lower	1	
15	39390	Gasket Spring Cover	1	
16	39392	Cover Bottom, Spring	1	
17	55026	Decal Waring Spring	1	
18	39371	Shoe	1	
19	39400	Plate Shoe	1	
20	39381	Rod Piston Machined	1	
21	39436	PINDL .625 x 2.25 LG	1	
22	39401	Button Pin Captivator	2	
23#	65028	Hex Insert	6	
24#	23151	Shoe Kit (Includes items 18, 19, 23, H, J, K, L, N)1		
Item	Part No.	Description	Qty.	DIN
A	80804	WSHRL M10 Split ZN	4	127B
B*	80872	SHCS M10 - 1.5 x 30 8.8 ZN	4	912
C*	80943	SHCS M12 - 1.75 x 100 8.8 ZN	2	912
D	80805	WSHRL M12 Split ZN	6	127B
E*	80824	SHCS M12 - 1.75 x 80 8.8 ZN	1	912
F*	80822	SHCS M12 - 1.75 x 50 8.8 ZN	3	912
G*	80883	HHCS M8 - 1.25 x 50 8.8 ZN	6	933
H	80813	WSHR M8 Flat 24 OD ZN	2	9021B
J**	80817	NUTNY M8 - 1.25 ZN	6	985
K*	80948	FHSCS M8 - 1.25 x 55 10.9	4	7991
L*	80949	FHSCS M8 - 1.25 x 45 10.9	2	7991
M	80852	NUTNY M16 - 2 ZN	1	985
N	39233	WSHR .343 ID x 1.00 OD x .17 ZN	4	---

Not Shown

* Loctite

** Torque 18 ft. lbs. (24.4 Nm)

8.11 Engine - XN, XT & XM Oil Injected and Pre-Mix



8.11 Engine - XN, XT & XM Oil Injected and Pre-Mix

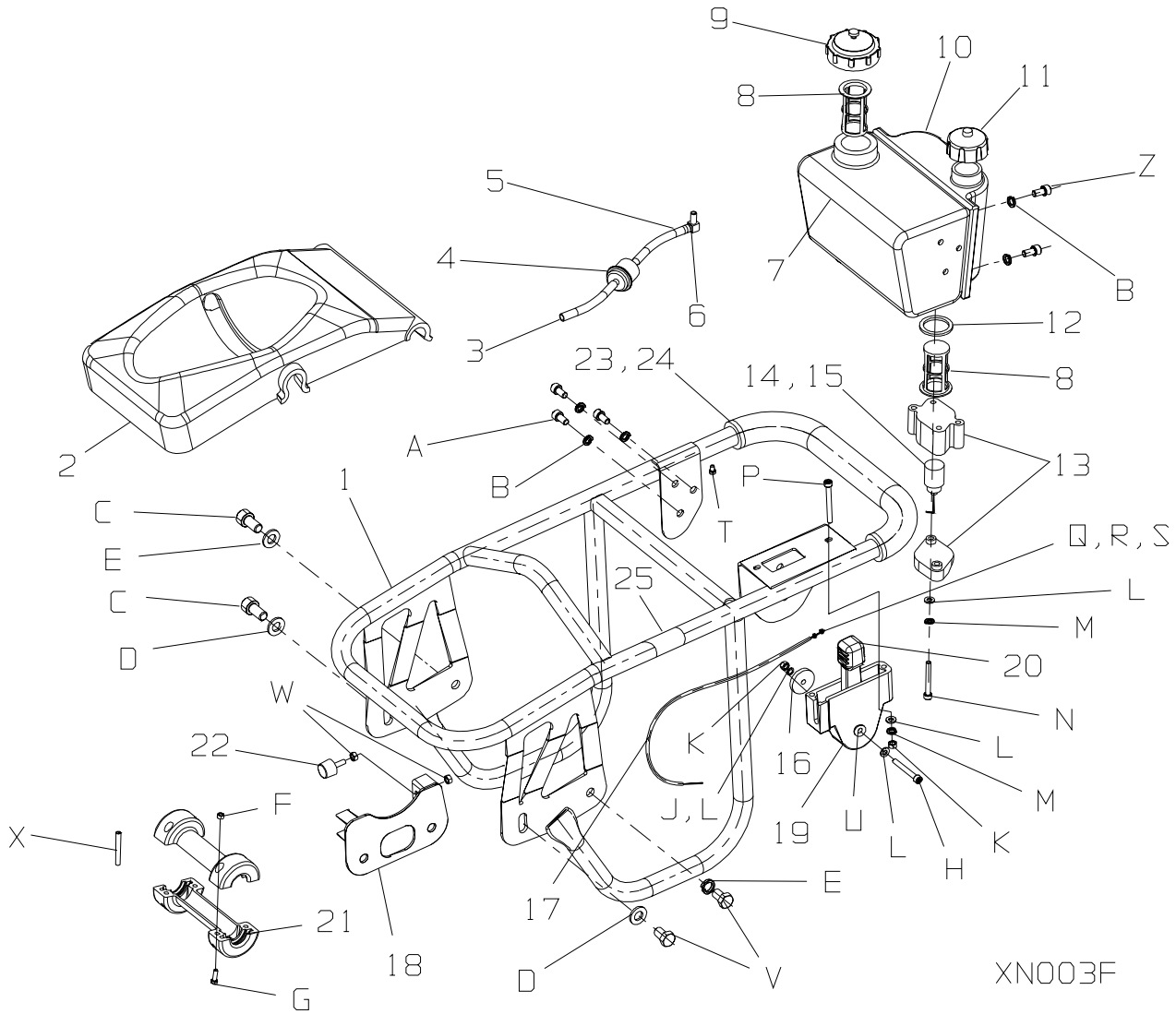
Item	Part No.	Description	Qty.
1**	23208	Kit EC12 O/I Engine XN	1
1a	23209	Kit EC12 O/I Engine XT	1
1b	23210	Kit EC12 Pre-Mix Engine XN	1
1c	23211	Kit EC12 Pre-Mix Engine XT	1
1d	23212	Kit EC12 O/I Engine XM	1
1e	23213	Kit EC12 Pre-Mix Engine XM	1
2	30356	Clutch Robin Honda (XM, XJ)	1
2a	30308	Clutch (XN & XT)	1
3	23148	Kit Valve/Kill Switch	1
4	39396	Hose Air Filter (XN)	1
4a	39397	Hose Air Filter (XT, XM)	1
5	35995	Filter/Precleaner Lower EC10/EC12	1
6	39329	Air Filter Coarse 1st Stage	1
7	39330	Air Filter Fine 1st Stage	1
8	39332	Frame Air Filter 1st Stage	1
9	23144	Air Filter Assy 1st Stage	1
10	23142	Air Filter Assy Primary	1
11	35060	Nut M12 - 1.25 (XN & XT)	1
12	27242	Spacer (XN & XT)	1
13	39489	Fuel Line 3/16 ID x 2 3/4	1
14	39502	Clamp Cable .083	1
15	39478	Fuel Line 3/16 ID x 23" LG	1

Item	Part No.	Description	Qty.	DIN
A*	80406	HHCS M8 - 1.25 x 20mm 8.8 ZN	4	933
B	80812	WSHRL M8 Split ZN	4	127B
C	80813	WSHR M8 Flat 24 OD ZN	4	9021B
D*	80815	HHCS M10 - 1.5 x 30mm 8.8 ZN	4	912
E	80804	WSHRL M10 Split ZN	4	7980
F	80926	CHSMS M4 x 16mm	2	7981
G	80929	WSHRL M4 Split ZN	2	127B
J	80426	WSHR 9/16 Type B ZN	1	-
K	80872	SHCS M10-1.5 x 30 8.8 ZN (XM)	2	912

* Loctite Required

** Kit to include all parts shown fully assembled.

8.14 Handle and Fuel Tank XN Oil Injected and Pre-Mix



8.14 Handle and Fuel Tank XN Oil Injected and Pre-Mix

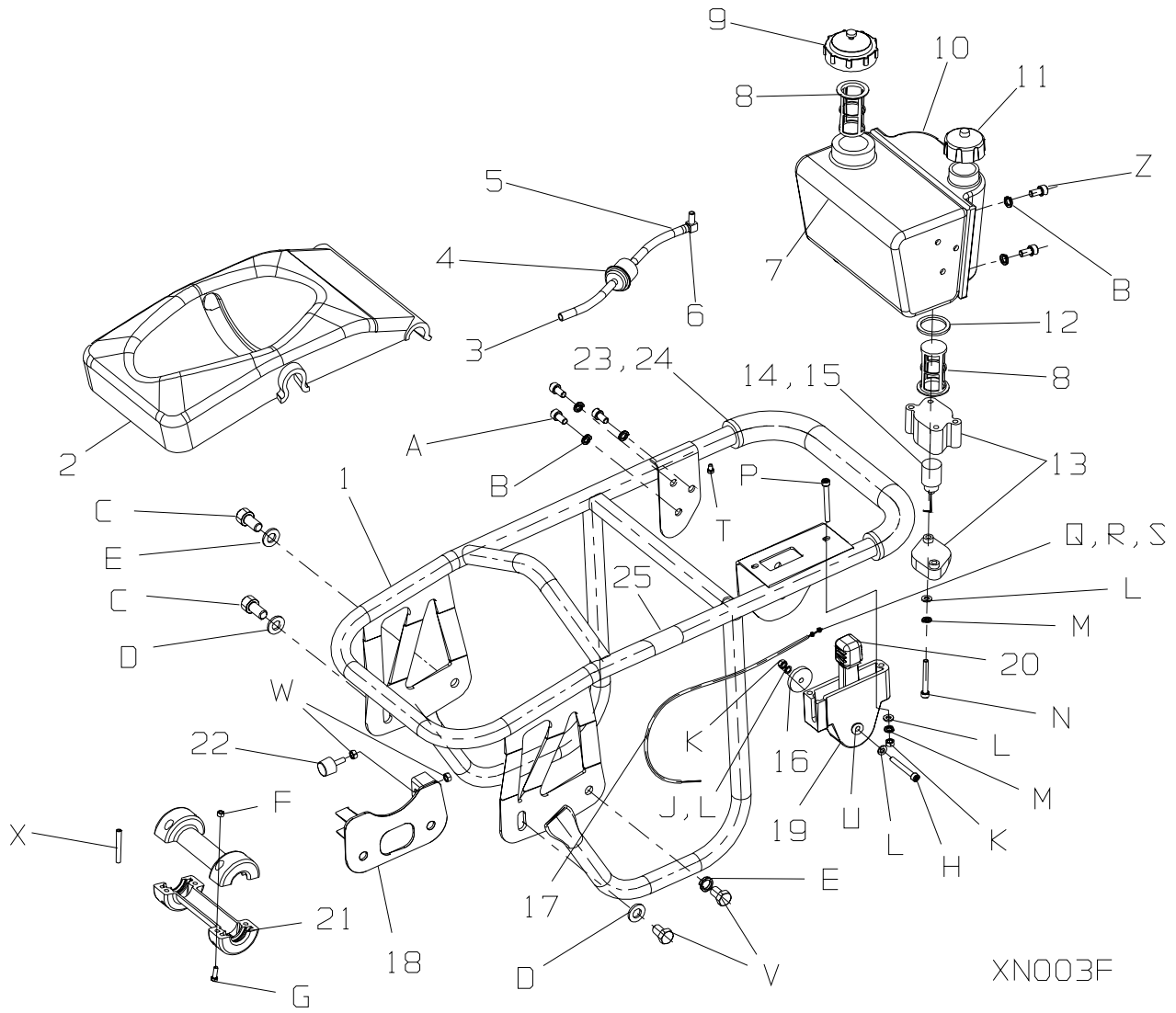
Item	Part No.	Description	Qty.
1	39419-2	Handle Weldment	1
2	39421	Cover	1
3	39477	Fuel Line 3/16 ID x 6 1/4" LG	1
4	35486	Fuel Filter	1
5	39478	Fuel Line 3/16 ID x 23" LG	1
6	23022	Tank Fitting	1
7	65081	Fuel Tank (Pre-Mix)	1
7a	39350	Fuel Tank (Oil Injected)	1
8	47219	Fuel Strainer (Pre-Mix)	1
8a	47219	Fuel Strainer (Oil Injected)	2
9	35701	Cap Plastic Gas	1
10	39349	Tank Oil (Oil Injected)	1
11	39346	Cap Oil (Oil Injected)	1
12	32314	Gasket (Oil Injected)	1
13	23065	Kit, Tank Guard (Oil Injected)	1
14	39316	Oil Sensor (Oil Injected)	1
15	39476	O-Ring (Oil Injected)	1
16	39402	Washer Clutch, Throttle	1
17 [^] +	39440	Throttle Cont. Connector	1
18	39424-2	Stopper Weldment	1
19	39386	Housing - Throttle	1
20	39387	Lever - Throttle	1
21**	23138	Kit Wheel - Handle (optional)	1
22	39427	Shock Mount Type KD	2
23	39411	Tube Grip	1
24	39420	Cushion Grip	1
25+	34019	Clamp Cable	1

[^] Lubricate Throttle Wire

** Includes 21, F & G

+ Included in P/N 23428

8.14 Handle and Fuel Tank XN Oil Injected and Pre-Mix



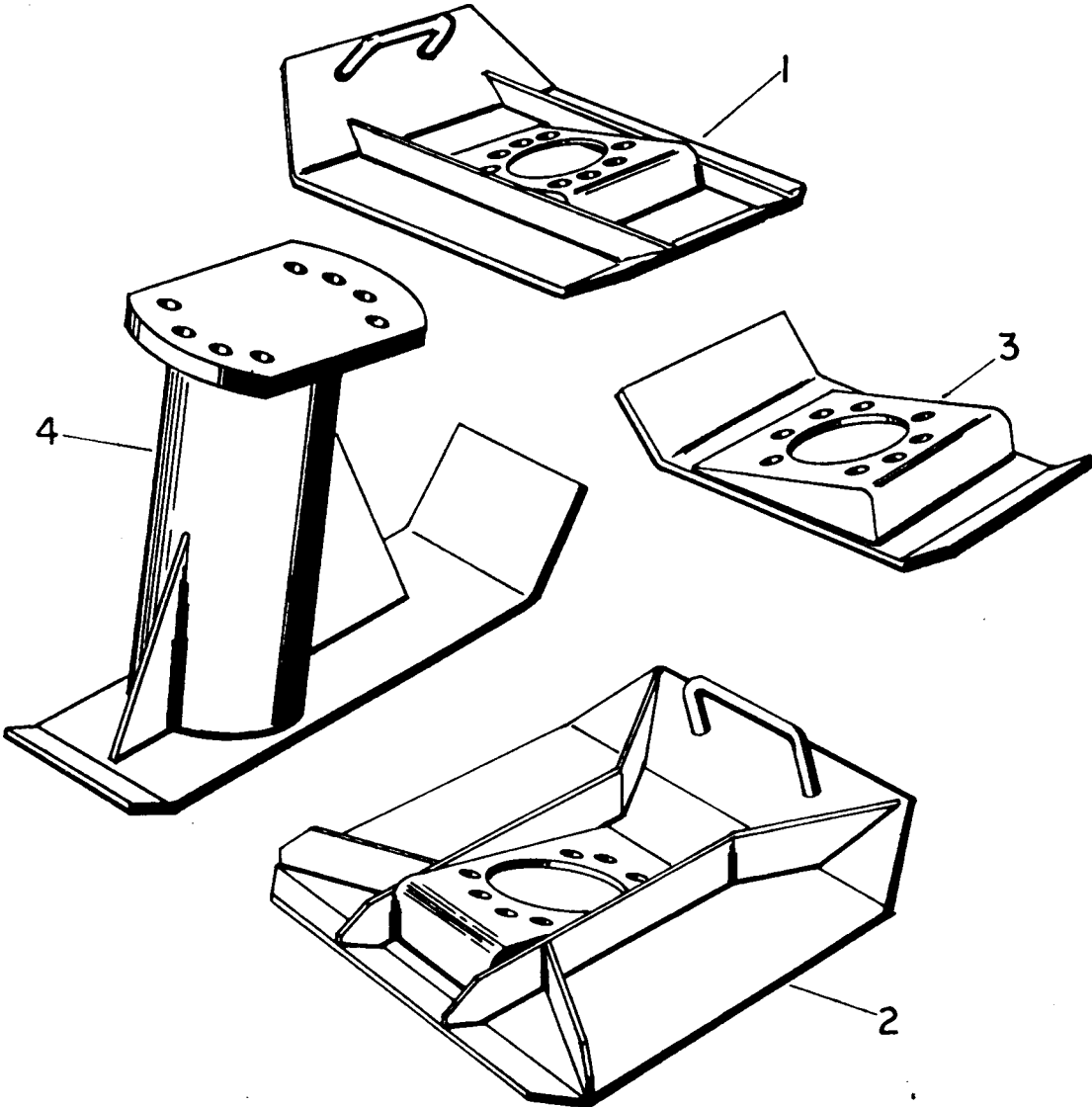
8.14 Handle and Fuel Tank XN Oil Injected and Pre-Mix

Item	Part No.	Description	Qty.	DIN
A*	80894	SHCS M8 - 1.25 x 16 8.8 ZN(Pre-Mix)	6	912
B	80812	WSHRL M8 Split ZN (Pre-Mix)	6	127B
B1	80812	WSHRL M8 Split ZN (Oil Inj.)	10	127B
C*	80808	HHCS M12 - 1.75 x 20 8.8 ZN	2	912
D	80807	WSHR M12 Flat ZN	4	125A
E	80805	WSHRL M12 Split ZN	4	127B
F	80850	NUTNY M5 - .8 ZN	4	985
G	80821	SHCS M5 - .8 x 16 8.8 ZN	4	912
H	80947	HHCS M6 - 1 x 40 8.8 ZN	1	931
J	80939	WSHR M6 Belleville 1/4 ID	1	-
K	80851	NUTNY M6 ZN	2	985
L	80856	WSHR M6 Flat ZN (Oil Inj.)	6	125A
L1	80856	WSHR M6 Flat ZN (Pre-Mix)	4	125A
M	80860	WSHRL M6 Split ZN (Oil Inj.)	4	127B
M1	80860	WSHRL M6 Split ZN (Pre-Mix)	2	127B
N	80912	SHCS M6 - 1 x 50 Black (Oil Inj.)	2	912
P	80940	SHCS M6 - 1 x 60 8.8 ZN	2	912
Q	80247	NUTFX 5/16 - 24 ZN	2	-
R	80495	WSHR 5/16 Plain ZN	1	-
S	80086	WSHRL 5/16 Split ZN	1	-
T	80586	HWHST 5/16 - 18 x .50 ZN	2	-
U	80347	WSHR 1/4 WROT ZN	1	-
V	80887	HHCS M12 - 1.75 x 25 8.8 ZN	2	933
W	80853	NUTKP M6 ZN	4	-
X	81154	PINSP 1/8 x 1 3/4 SST	1	-
Y#	39150	Hose Guard 3/8 Nylo Braid (Oil Inj.)	1	-
Y1#	48413	Wiring Harness	1	-
Y2#	39308	Ferrule (ROI)	2	-
Y3#	35448	Clamp 5/8	3	-
Y4#	39509	Clamp 3/8	1	-
Y5#	23428	Kit Cable Control XN	1	-
Z	80087	HHCS M8 -1.25 x 25 ZN (Oil Inj.)	4	933

* Loctite Required

Not Shown

8.18 Shoes for XT/XN Oil Injected and Pre-Mix



8.18 Shoes for XT/XN Oil Injected and Pre-Mix

Item	Part No.	Description
1	22983	Kit Shoe 11" Wide XT
2	22984	Kit Shoe Optional Shoe 15" Wide XT
3	22985	Kit Shoe Optional 5" Wide XT
3a	23145	Kit Shoe 5" Wide XN
3b	23161	Kit Shoe 6" Wide XN
4	22986	Kit Shoe Optional Extension 4" Wide XT
4a	23146	Kit Shoe 4" Wide 10" Extension XN
4b	23147	Kit Shoe 5" Wide 15" Extension XN
#	22987	Kit Shoe Optional 4" Wide XT
#	23244	Kit Shoe Optional 5" Wide XJ

Not Shown

8.19 Decal Identification

Item	Part No.	Description	Qty.
1	55336	Decal Caution Instruction	1
2	55378	Decal Throttle	1
3	55379	Decal Throttle Stompers	1
4	55322	Decal On/Off	1
5	55337	Decal Air Filter Maintenance	1
6	55345	Decal Oil Line Warning	1

8.19 Decal Identification

7

CAUTION

FUEL OIL

- USE DIESEL FUEL.
- CLEAN FILTER EVERY 500hrs.

LUBE OIL

- SAE 10W30 GRADE CC
- CHANGE LUBE OIL EVERY 100hrs.
- CLEAN FILTER EVERY 100hrs.

STARTING

- CHECK LUBE OIL LEVEL AND FUEL.
- FOR EAGY STARTING IN COLD WEATHER. ADD 2cc LUBE OIL TO ROCKER ARM COVER.
- WARM UP WITHOUT LOAD.

STOPPING

- CLOSE FUEL COCK AFTER STOPPING ENGINE.

PN 55325

8

HOW TO START

① Open the fuel cock

② Put the Lever in the "START" position.

③ Pull the starting handle slowly.

④ Pull until you feel resistance. Then return it slowly.

⑤ Push the decompression lever down and release.

⑥ Pull the rope hard and fast.

If the engine doesn't start, try again from ③

PN 55324

9

NOTICE

CONTACT THE MANUFACTURER IMMEDIATELY AT 1-800-888-9926 IF SAFETY OR HAZARD DECALS OR OWNER'S MANUAL ARE MISSING FROM THIS EQUIPMENT.

PN 55156

12

• Springs Under Compression
• May Cause Injury
• Consult Manual or Manufacturer Before Removing Plate.
1-800-888-9926
55026

10

CHECK OIL DAILY

USE 30 WT. MOTOR OIL

OIL LEVEL

DO NOT OVERFILL

PN 55053

11

ON

OFF

PN 55377

8.19 Decal Identification

Item	Part No.	Description	Qty.
7	55325	Decal Caution Fuel Yanmar	1
8	55324	Decal How To Start Yanmar	1
9	55156	Decal Notice	1
10	55053	Decal Check Oil Daily	1
11	55377	Decal On/Off Choke	1
12	55026	Decal Warning Spring	1