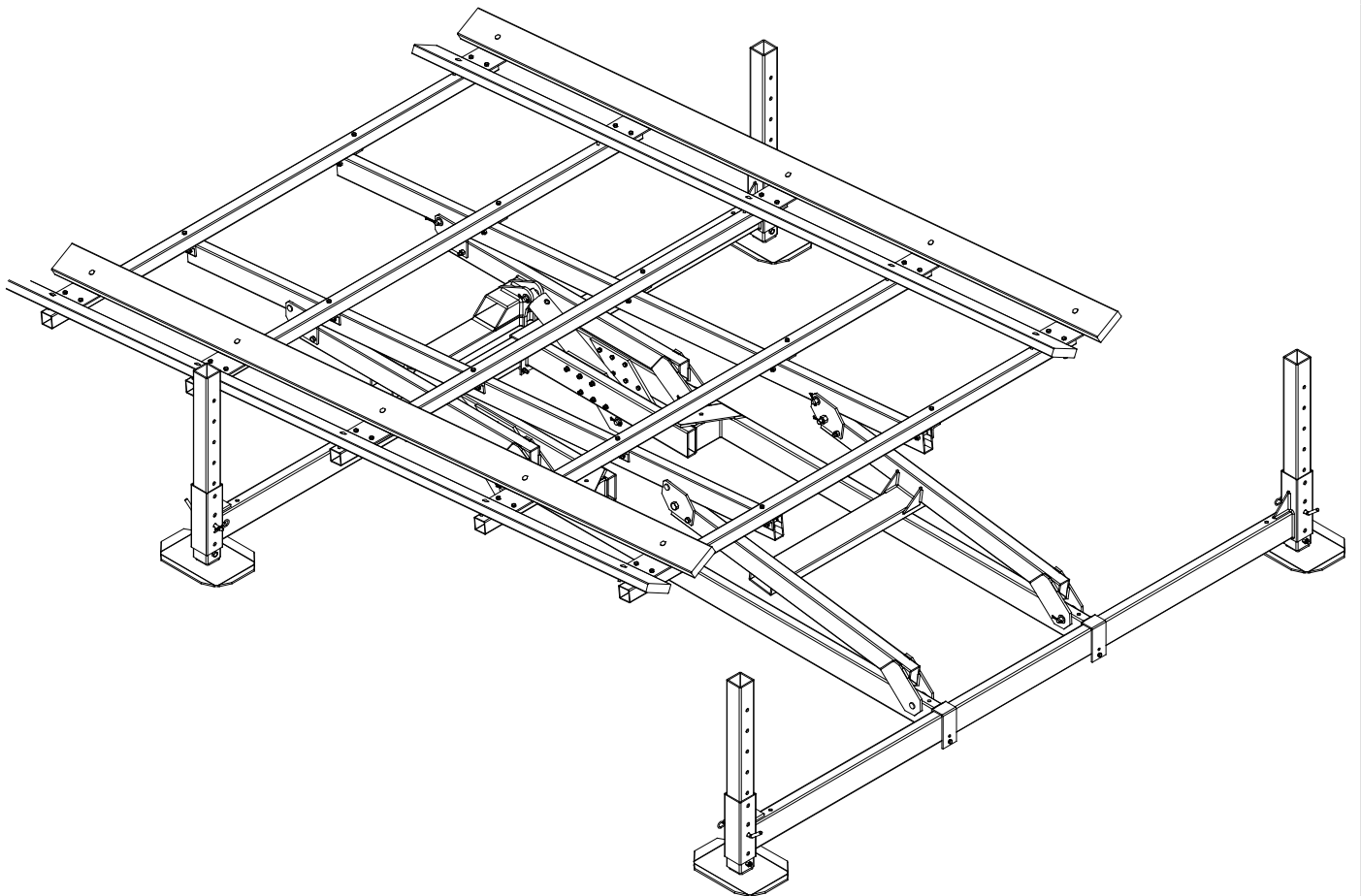




# HL4K PONTON LIFT INSTRUCTIONS

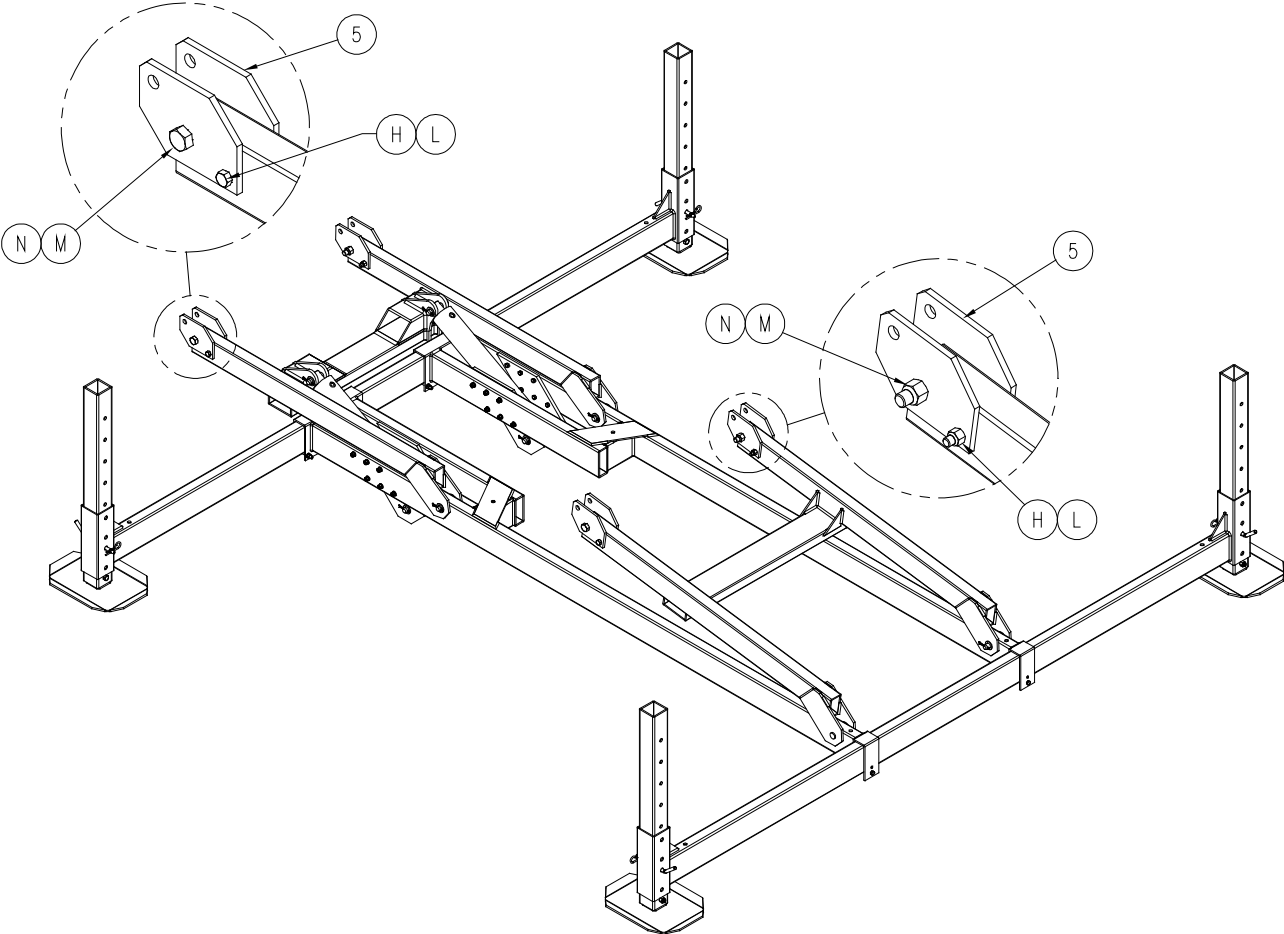
(Applies to P/N 4113055)



REIMANN & GEORGER CORPORATION  
MARINE PRODUCTS  
P/N 6114179

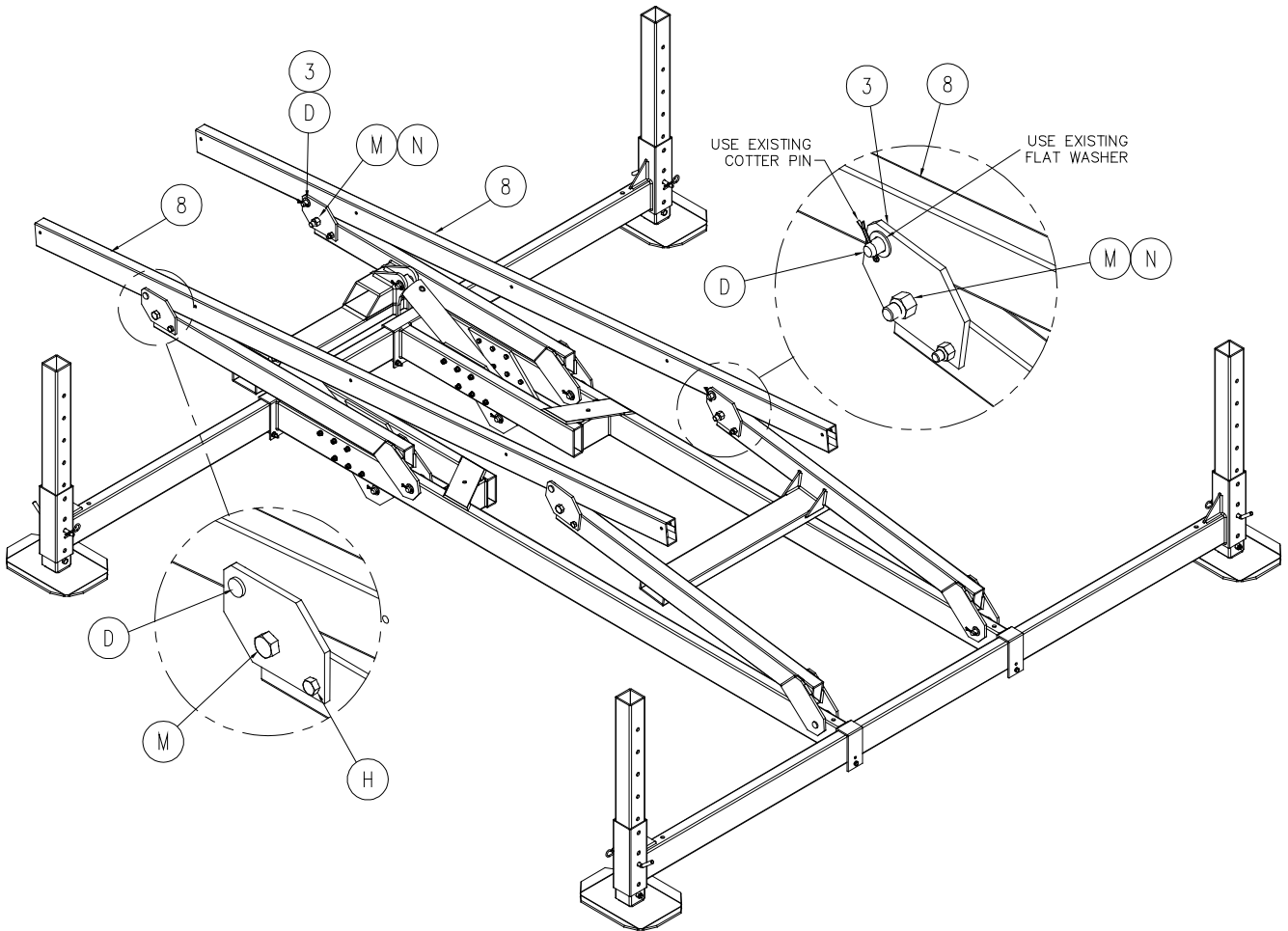
BUFFALO, NY  
04/11/18

**HL4K (48" & 60" Lifts) LIFTARM PIVOT PLATES MOUNTING**



**Figure 2-3.  
HL4K (48" & 60" Lift) Mount Liftarm Pivot Plates.**

## 2.4 HL4K PONTOON SUPPORT TUBE MOUNTING



**Figure 2-4.**  
**HL4K (48" & 60" LIFT) Main Support Tube Mounting**

2.5 HL4K PONTOON CROSS TUBE SUPPORTS

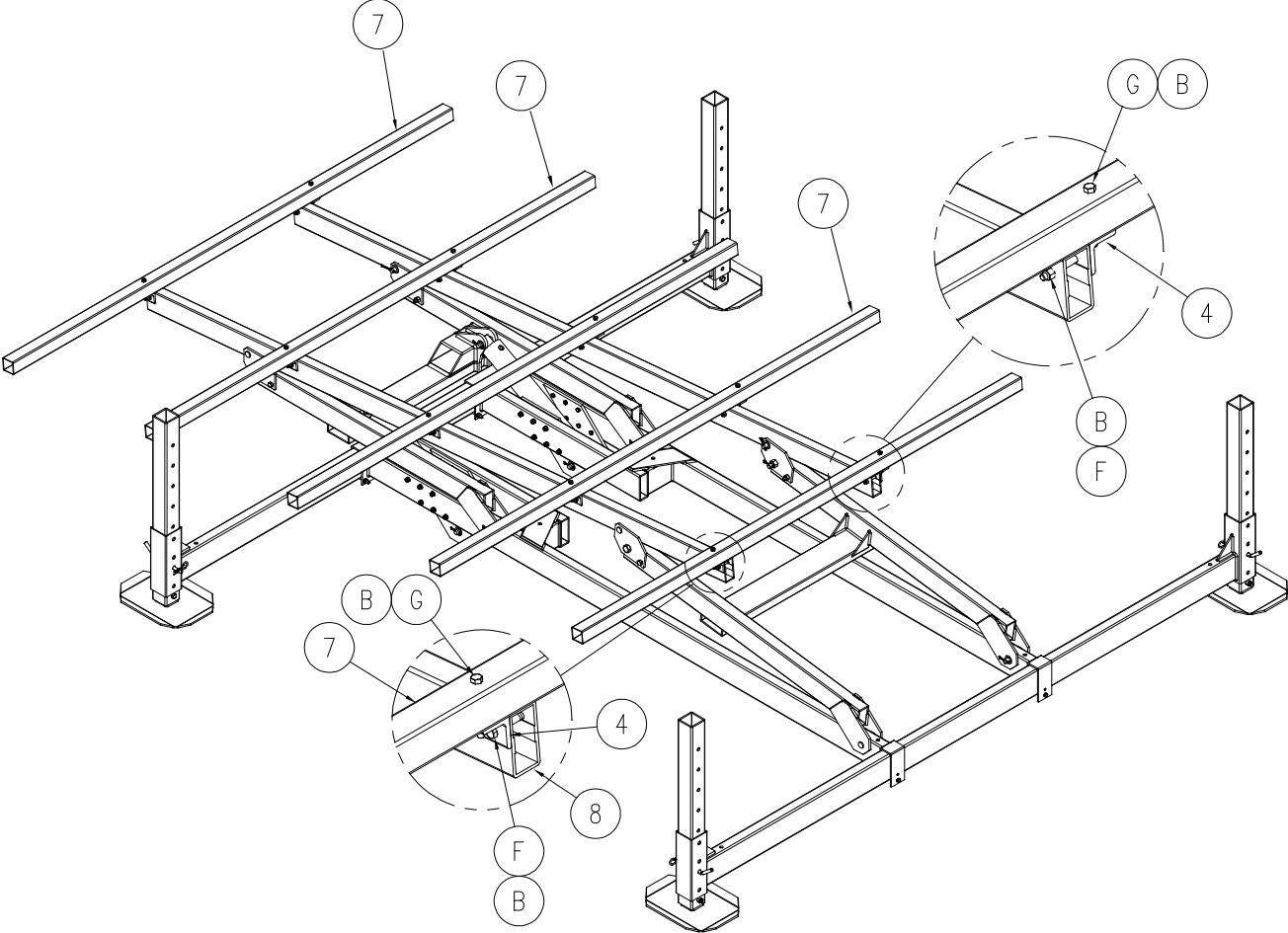


Figure 2-5.  
HL4K (48" & 60" Lift) Pontoon Cross Support Tubes

2.6 HL4K (48" & 60" Lift) PONTOON WOOD BUNK SUPPORT CRADLES

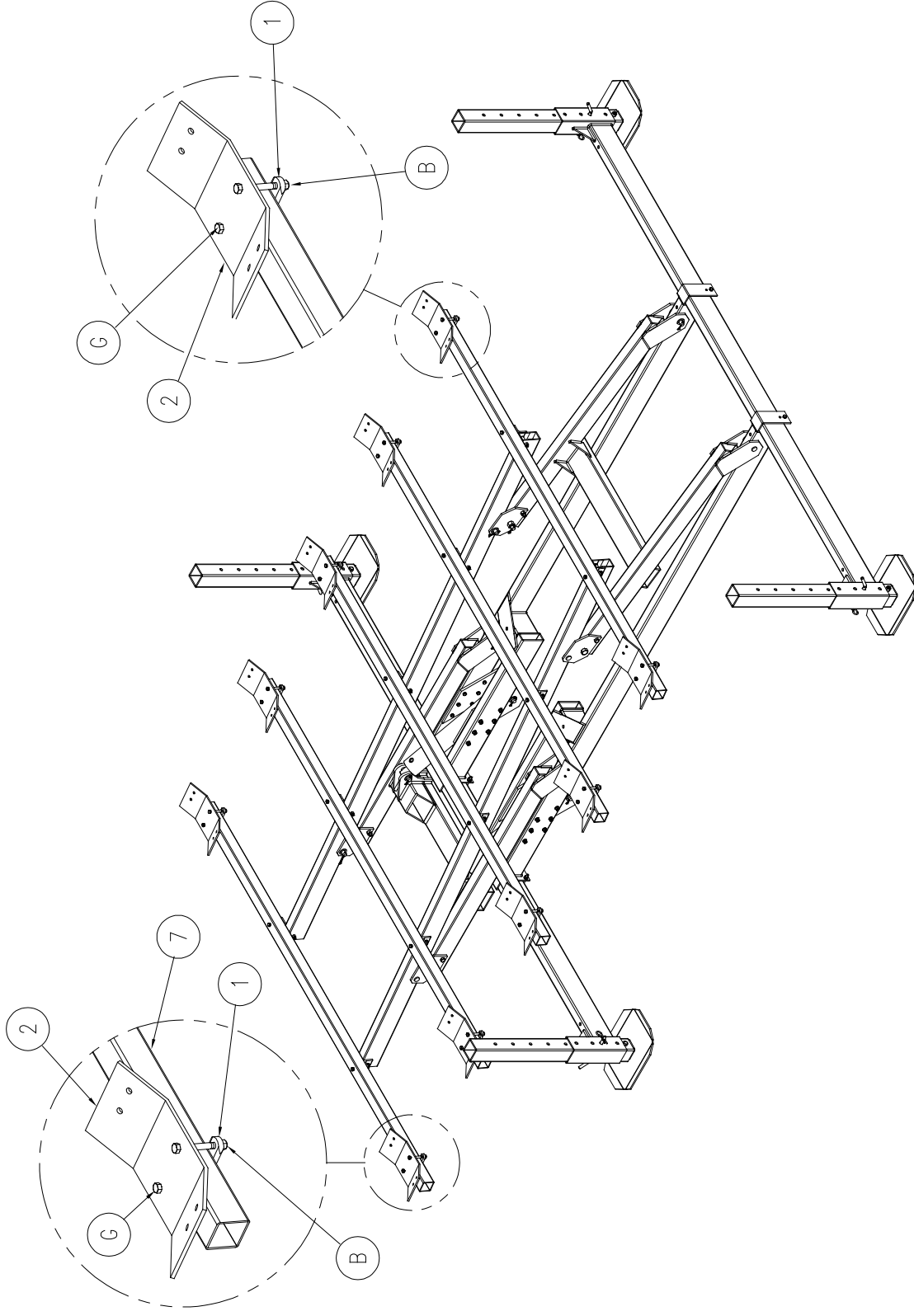


Figure 2-6.  
HL4K (48" & 60" Lift) Pontoon Bunk Support Cradles

2.7 HL4K (48" & 60" Lift) PONTOON WOOD BUNKS

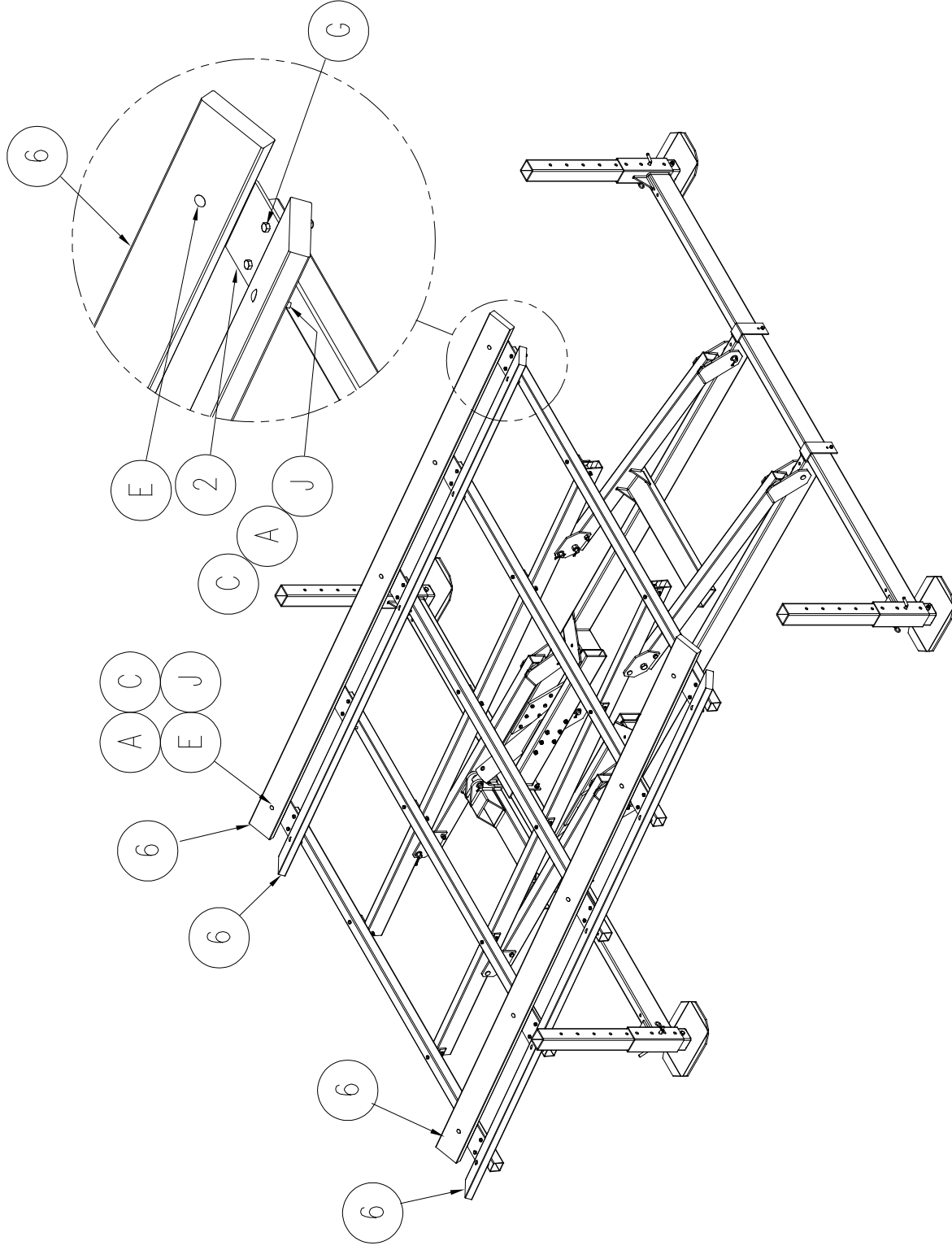


Figure 2-7.  
HL4K (48" & 60" Lift) Pontoon Wood Bunks

**3 PARTS LIST  
HL4K PONTOON LIFT INSTRUCTIONS**

**3.1 4113055 HL4K PONTOON LIFT (48" & 60" LIFT)**

Reference	Part Number	Quantity	Description
1	3606921	10	2-HOLE PLATE 3"
2	4113722	10	HL PONT MTG PLT 6 X 14
3	4107937	8	HL A/V BUNK WASHER 1-3/4 OD X 1/8"
4	4113713	10	HL PONTOON CROSS TUBE MTG ANGLE
5	4107796	8	HL PLATFORM LIFTARM PIVOT PLATE
6	3624518	4	WOOD CARPETED 2X6X12FT
7	4113728	5	HL4K PONTOON CROSS SUPT TUBE 100"
8	4113725	2	HL4K PONTOON MAIN SUPT TUBE 132"
A	5806243	20	WASHER SPLIT LOCK 3/8 SS
B	5840103	40	NUT HEX NYLOCK 3/8-16 ALUM
C	5840104	20	NUT HEX 3/8-16 ALUM
D	5894105	4	PIN, CLEVIS 3/4 X 4-1/8 SS
E	5896323	20	BOLT CARR 3/8-16 X 2-1/2 SS
F	5896255	10	HHCS 3/8-16 X 3 SS
G	5896257	30	HHCS 3/8-16 X 3-1/2 SS
H	5896292	8	HHCS 1/2-13 X 4 SS
J	5896406	20	WASHER FLAT SAE 3/8" SS
L	5897018	8	NUT HEX NYLOCK 1/2-13 SS/WAX
M	5896183	4	HHCS 3/4-10 X 4-1/2 SS
N	5897014	4	NUT HEX NYLOCK 3/4-10 SS