

**OPERATING INSTRUCTIONS AND PARTS LIST
INSTRUCCIONES DE OPERACIÓN Y LISTA DE PIEZAS**



MODEL: Mason Mite II / SPS II

**Masonry / Refractory Saw
Electric & Gasoline Models**



**DECAL DESCRIPTIONS AND LOCATIONS
DESCRIPCIÓN DE CALCAMONIAS Y UBICACIONES**

MASON-MITE **II**™

P/N 170697
Location: Water Pan Sides
(Qty. 2) All Models

FELKER®

P/N 170247
Location: Water Pan
(Qty. 2) All Models



P/N 169065
Location: Muffler
(Qty. 1) Gas Models



P/N 046326
Location: Motor
(Qty. 1) Electric Models



P/N 177588
Location: Blade Guard
(Qty. 1) All Models

GOOD MOTOR PERFORMANCE DEPENDS ON PROPER VOLTAGE. EXTENSION CORDS THAT ARE TOO LONG AND/OR SMALL REDUCE VOLTAGE TO MOTOR UNDER LOAD. USE EXTENSION CORDS NO SMALLER THAN INDICATED BELOW.

MOTOR HP	50' CORD		75' CORD		100' CORD	
	115V	230V	115V	230V	115V	230V
1	#12	#14	#10	#14	# 8	#14
1 ½	#10	#14	#10	#14	# 8	#14
2	#10	#12	# 8	#12	# 8	#12
3	# 8	#10	# 8	#10	# 8	#10
5		# 8		# 8		# 8

046327

P/N 046327
Location: Motor
(Qty. 1) Electric Models

Specifications

MODEL NO.	SPS-1	SPS-2	SPS-3	SPS-55	SPS-6
TYPE	1-1/2 HP Electric	2 HP Electric	3 HP Electric	5.5 HP Gasoline	6 HP Gasoline
Item No. <i>(with Water Pump)</i>	173335	170826	170995	173258	173499
Blade Guard	10 - 14"	10 - 14"	10 - 14"	14" Only	14" Only
Capacity:	(250 - 350 mm)	(250 - 350 mm)	(250 - 350 mm)	(350 mm)	(350 mm)
Blade Shaft RPM:	2509	2509	2509	2950	2950
Max. Depth of Cut:	5.0" (127 mm)				
Blade Arbor Size:	1.00" (25.4 mm)				
Blade Shaft:	Sealed Ball Bearings				
Blade Shaft Drive:	Two 4L370 V-Belts	Two 4L370 V-Belts	Two 4L370 V-Belts	3VX V-Belt (2 Band)	3VX V-Belt (2 Band)
Blade Guard:	One Piece Steel, Sta-Level™ Design, 14" (350 mm) Maximum Capacity				
Blade Coolant:	Water				
Water Pan:	3.86 x 17.73 x 30.73 Inch (98 x 450 x 780.5 mm), 6.75 Gallon (25 Liter) Capacity (At 3" Depth)				
Conveyor Cart:	Cast Aluminum w/ Vulcanized Rubber Top, Adjustable Measuring Rule, 45° / 90° Cutting Guide				
Water Pump:	Electric Models: 300 Gallons / Hour, Submersible, Totally Epoxy Sealed, Thermal Over Load Protected Gasoline Model: 8 GPM, Belt Drive, Solid Bronze, With Strainer & Built-In Priming Pump with Check Valve				
Frame:	Heavy duty, Jig Welded "X" Braced Steel, Open Throat Design For Unlimited Ripping				
Weight: Pounds (kg)					
Saw Crated:	171 (77.7)	182 (82.7)	192 (87.3)	209 (95.0)	209 (95.0)
Saw Uncrated:	160 (72.7)	169 (76.8)	181 (82.3)	198 (90.0)	198 (90.0)
Saw Operating (Water in Pan):	221 (100.5)	230 (104.5)	242 (110.0)	259 (117.7)	259 (117.7)
Folding Stand (Unboxed):	24 (10.9)	24 (10.9)	24 (10.9)	24 (10.9)	24 (10.9)
Foot Pedal Kit (Boxed):	14 (6.4)	14 (6.4)	14 (6.4)	14 (6.4)	14 (6.4)
Electric Cord:	0.40 (.18)	N / A	N / A	N / A	N / A

Power Source

MODEL NO.	SPS-1	SPS-2	SPS-3	SPS-55	SPS-6
TYPE	Electric	Electric	Electric	Gasoline	Gasoline
Engine / Motor:	Baldor	Baldor	Baldor	Honda	Robin
Horsepower (kw):	1-1/2 (1.1)	2 (1.5)	3 (2.2)	5.5 (4.0)	5.7 (4.2)
RPM:	3450	3450	3450	3500	3500
Specifications:	T.E.F.C	T.E.F.C	T.E.F.C	_____	_____
Voltage:	115 / 208-230	115 / 208-230	208-230	_____	_____
Cycle (Hz) / Current / Phase:	60 / A.C. / 1	60 * / A.C. / 1	60 * / A.C. / 1 **	_____	_____
Displacement:	_____	_____	_____	9.9 cu. Inch (163 cc)	10.3 cu. Inch (169 cc)
Bore:	_____	_____	_____	2.7 inch (68 mm)	2.64 inch (67 mm)
Stroke:	_____	_____	_____	1.8 inch (45 mm)	1.89 inch (48 mm)
Cylinders / Cycle:	_____	_____	_____	1 / 4	1 / 4
Fuel Capacity:	_____	_____	_____	.95 Gallon (3.6 liter)	.95 Gallon (3.6 liter)
Oil Capacity:	_____	_____	_____	.63 Quart (.6 liter)	.63 Quart (.6 liter)
Air Filter:	_____	_____	_____	Dry Type Dual Element with Precleaner	Dry Type Dual Element with Precleaner
Starter:	Capacitor	Capacitor	Capacitor	Recoil	Recoil
Coolant:	Air	Air	Air	Air	Air

* 50 cycle motors available upon special request: 2 HP model is 240 Volt, 3 HP model is 220-380 Volt

** 3 phase motor available upon special request - specify 230 or 460 volts for factory wiring.

Note: For item numbers on motors / engine see parts list section of this document.

Specifications are subject to change without notice.

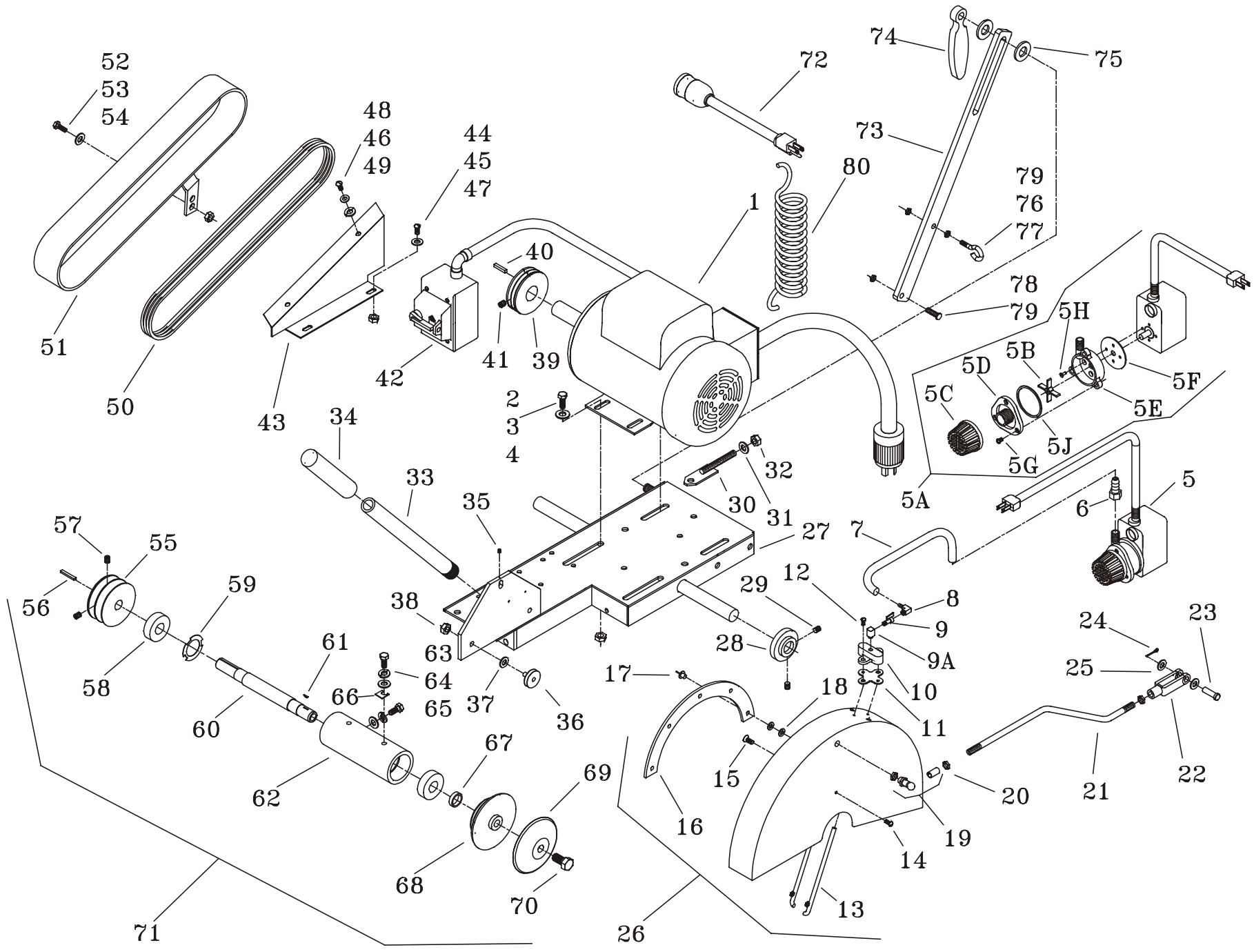


Diagram 1 - Upper Saw Assembly, Electric Models (19MAR88)

Diagram 1 - PARTS LIST (13 March 2002)

DIAG. LOC.	PART NO.	QTY. REQ.	DESCRIPTION	DIAG. LOC.	PART NO.	QTY. REQ.	DESCRIPTION
1	000605	1	Motor & Switch, 1.5 hp 115/208-230/60/1 (A)	35	020572	1	Setscrew, Soc. Hd #10-24UNC x 1/2"
--	169422	1	Motor & Switch, 1.5 hp 115/60/1 (B)	36	030822	3	Wheel
--	000716	1	Motor & Switch, 2 hp 115/208-230/60/1	37	020763	3	Washer, Flat 3/8"
--	169656	1	Motor & Switch, 3 hp 115/208-230/60/1	38	032366	3	Nut, Keps 5/16"-18UNC
--	000806	1	Motor & Switch, 3 hp 208-230/460/60/3	39	060504	1	Pulley, 2GA2.0-7/8 w/ SS (60 Hz)
2	021416	4	Capscrew, 5/16" - 18UNC x 1" (1.5 & 2HP)	--	060519	1	Pulley, 2GA2.25-7/8 w/SS (50 Hz)
--	020323	4	Capscrew, 3/8" -16UNC x 1" (3HP Only)	--	172101	1	Pulley, 6GJ2.80-5/8 w/ SS (B)
3	020742	4	Washer, Flat 5/16" (1-1/2 & 2 HP)	40	020062	1	Key, 3/16" Sq. x 1-1/4" (Replacement)
--	020743	4	Washer, Flat 3/8" (3 HP Only)	41	020550	2	Setscrew, 5/16" - 18UNC x 3/8"
4	020197	4	Locknut, Fiber 5/16"-18UNC (1.5 & 2 HP)	42	032080	1	Switch, Motor w/ wiring - 1 Phase
--	020199	4	Locknut, Fiber 3/8"-16UNC (3 HP Only)	--	030071	1	Switch, Motor w/ wiring - 3 Phase
5	032605	1	Water Pump Assy-115V, G300 (Incl 6 & 7) (A)	43	177427	1	Bracket, Belt Guard (1-1/2 & 2HP)
--	032606	1	Water Pump Assy-230V, G300 (Incl 6 & 7)	--	177426	1	Bracket, Belt Guard (3 HP)
--	177701	1	Water Pump Assy-115V, G100 (Incl 6 & 7) (B)	44	020489	2	Screw, Hex Washer Hd 1/4"-20x3/4"
5A	032124	1	Repair Kit, G300 Water Pump(Incl 5B - 5J)	45	020741	2	Washer, Flat 1/4"
--	161049	1	Repair Kit, G100 Water Pump(Incl 5B - 5J)	46	020784	2	Lockwasher, 1/4"
5B	032072	1	Impeller (G300)	47	020195	2	Locknut, Hex 1/4" - 20UNC
--	161052	1	Impeller (G100)	48	020414	2	Screw, Round Hd 1/4" - 20UNC x 1/2"
5C	050171	1	Screen (G300 & G100)	49	020741	2	Washer, Flat 1/4"
5D	161490	1	Plate, Front (G300)	50	060510	1	V-Belt, AX35 Set of 2
--	161054	1	Plate, Front (G100)	--	030063	1	V-Belt, 360J6 (B)
5E	032093	1	Volute (G300)	51	170616	1	Guard, Belt
--	161051	1	Volute (G100)	52	020370	1	Capscrew, Hex 1/4" - 20UNC x 3/4"
5F	032094	1	Gasket (G300 & G100)	53	020741	1	Washer, Flat 1/4"
5G	032122	3	Screw, Rd Hd, #8-18 x 1/2" (G300 & G100)	54	020195	1	Locknut, Fiber 1/4" - 20UNC
5H	032123	4	Screw, Flat Hd, #8-18 x 1/2"(G300 & G100)	55	060495	1	Pulley, 2GA3.00-.75 w/ Setscrew
5J	032095	1	O - Ring (G300)	--	175261	1	Pulley, 6GJ2.25-.75 w/ Setscrew (B)
--	161053	1	O - Ring, #30 (G100)	56	020062	1	Key 3/16" Sq. x 1.25"
6	030654	1	Fitting, Hose	57	020550	2	Setscrew, Soc Hd. 5/16" - 18UNCx3/8"
7	161776	1	Tubing, Vinyl 3/8" I.D. x 42" Long	58	139273	2	Bearing
8	161176	1	Fitting, Elbow, Barb 1/4 NPTx3/8" Hose	59	030004	1	Washer, Spring
9	090578	1	Valve, w/ Hose Fitting	60	031022	1	Shaft, Blade
9A	020813	1	Fitting, Street Elbow, 1/4" NPT x 90°	61	020089	1	Key, Woodruff (ANSI #403)
							Only for models before 2002.
10	030870	1	Manifold	62	177416	1	Housing
11	030875	1	Gasket, Manifold	63	020314	4	Capscrew, Hex Hd. 5/16" - 24UNF x 3/4"
12	020425	2	Screw, Rnd Hd #10 - 32 x 1/2" Brass	64	020763	4	Washer, Flat 5/16" SAE
13	030865	2	Water Tube, 14"	65	020785	4	Lockwasher, 5/16"
14	020424	1	Screw, Rnd Hd #10 - 32 x 3/8" Brass	66	032501	(as req)	Shim, .005" Thick
15	020426	1	Screw, Flat Hd #10 - 32 x 3/8" Brass	--	032502	(as req)	Shim, .015" Thick
16	060435	1	Track, Blade Guard	--	032503	(as req)	Shim, .020" Thick
17	020701	5	Rivet, Pop	67	139274	1	Spacer
18	020762	10	Washer, Flat 1/4" SAE	68	030945	1	Collar, Inner
19	031045	1	Ball and Joint	69	030951	1	Collar, Outer
20	020171	2	Nut, Hex Jam 3/8" - 24	70	020378	1	Capscrew, Hex 1/2" - 20UNF x 1"
21	060455	1	Link	71	031019	1	Blade Shaft Assembly
22	060460	1	Yoke				(Includes Items: 58-62 & 67-70)
23	060465	1	Pin				
24	020611	1	Pin, Cotter 3/32" x 5/8" Long	72	173120	1	Cord, Adapter, 10" Long, 115V
25	020764	2	Washer, Flat 3/8" SAE	--	-----	--	15A Straight to 20A Twist-Lock
26	170862	1	Blade Guard Assy-w/Decals (Item 8-18)	--	-----	--	(Accessory: 1-1/2 HP Motor Only)(A)
27	177425	1	Platform, Motor				
28	030580	2	Bearing, Head Pivot	73	177433	1	Arm, Counter Balance
29	020553	4	Setscrew, 1/4" - 28UNF x 1/4"	74	030285	1	Nut, Handle, 1/2" - 13UNC
30	060411	1	Drawbolt Weldment, 3/8" - 16UNC	75	020745	2	Washer, Flat, 1/2"
--	177696	1	Drawbolt Weldment, 3/8" - 16UNC (B)	76	030251	1	Eyebolt, 5/16" - 18UNC x 1-1/2"
31	020764	1	Washer, Flat 3/8"	77	020169	1	Nut, Hex Jam, 5/16" - 18UNC
32	020199	1	Locknut, Fiber 3/8" - 16UNC	78	020373	1	Capscrew, 5/16" - 18UNC x 1-1/2"
33	186215	1	Handle (90°)	79	020197	2	Locknut, Fiber, 5/16" - 18UNC
--	186218	1	Handle Kit (Incl. 33, 34, hardware, instructions & template)	80	060395	1	Spring, Head Balance
34	139568	1	Grip, Handle (For 90° handle-186215.)				
--	043935	1	Grip, Handle (For old straight handle.)				

(A) for Model SPS1

(1.5 hp, 115 / 230 Volt – Has Voltage Change Switch & Remote Mounted ON/OFF Switch)

(B) for Model SPS1S

(1.5 hp, 115 Volt Only – DOES NOT Have Voltage Change Switch Or Remote Mounted ON/OFF Switch)

Diagram 2 - Lower Saw Assembly, Electric Models (14jan97)

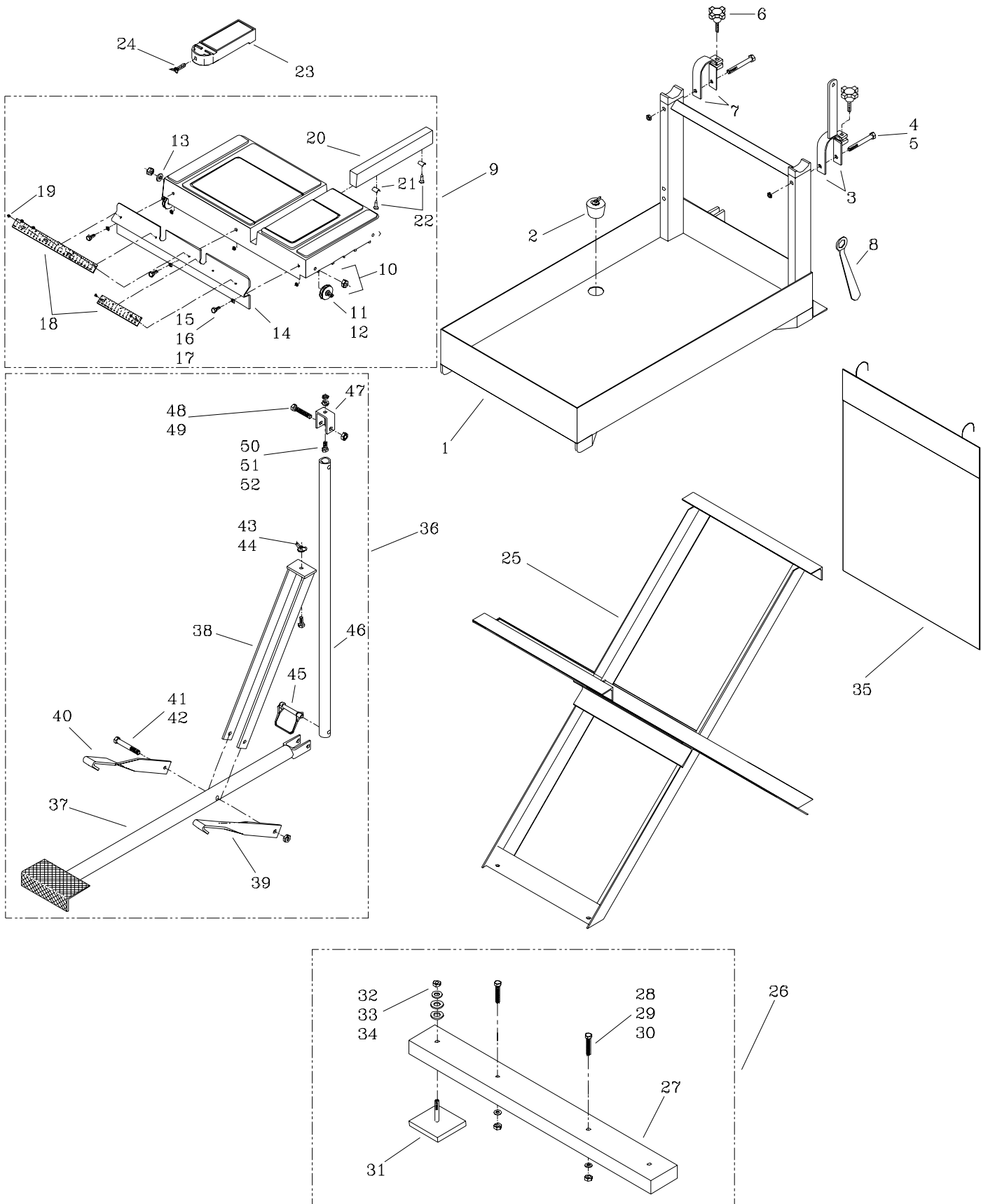


DIAGRAM 2 - PARTS LIST (19MARCH98)

DIAG. LOC.	PART NO.	QTY. REQ.	DESCRIPTION	DIAG. LOC.	PART NO.	QTY. REQ.	DESCRIPTION
1	177409	1	Pan Weldment	26	177401	1	Skid Kit (Optional)
2	030386	1	Drain Plug Assembly	27	177399	2	Skid, Wooden
3	030971	1	Clamp, Bearing, w/ Tilt Arm	28	020509	4	Capscrew, Hex Hd. 3/8" - 16UNC x 2"
4	020330	2	Capscrew, Hex Hd. 3/8" - 16UNC x 3"	29	020743	4	Washer, Flat 3/8"
5	020199	2	Locknut, Hex 3/8" - 16UNC	30	020199	4	Locknut, 3/8" - 16UNC
6	030610	2	Knob, Hand (early models only)	31	161195	4	Pad, Skid
--	048742	2	Capscrew, Hex 5/16" - 18UNC x 1-1/4"	32	020743	4	Washer, Flat 3/8"
--	020763	2	Washer, Flat, 5/16" SAE	33	020745	8	Washer, Flat 1/2"
7	030591	1	Clamp, Bearing	34	020199	4	Locknut, 3/8" - 16UNC
8	177383	1	Wrench, Blade Shaft	35	030402	1	Curtain, Splash
9	030343	1	Conveyor Cart Kit, Complete	36	034050	1	Foot Pedal Kit (Optional)
10	030049	1	Wheel Kit, Set of 4, w/ Nuts	37	034051	1	Foot Pedal
11	030822	4	Wheel, Cart	38	034055	1	Support, Foot Pedal
12	032366	4	Nut, Keps 5/16" - 18UNC	39	034058	1	Support, Pedal, Right
13	020763	2	Washer, Flat, 5/16" SAE	40	034059	1	Support, Pedal, Left
14	177650	1	Backstop (Electric & Robin Gas)	41	020329	1	Capscrew, Hex 3/8" - 16UNC x 2-3/4"
15	020301	3	Capscrew, Hex Hd. 1/4" - 20UNC x 5/8"	42	020199	1	Locknut, 3/8" - 16UNC
16	020784	3	Lockwasher, Split 1/4"	43	020238	1	Wingnut, 3/8" - 16UNC
17	020133	3	Nut, Hex 1/4" - 20UNC	44	020323	1	Capscrew, Hex 3/8" - 16UNC x 1"
18	030371	1	Ruler Set, Conveyor Cart (Electric)	45	160080	1	Pin, Snapper
19	020432	5	Screw, Pan Head #10 - 24UNC x 3/8"	46	034061	1	Rod, Tilt
20	030362	1	Insert, Wood Assembly	47	034062	1	Yoke
21	170038	1	Tubing, 3/8"ID x 5/8" (Cut in half at Assy)	48	020509	1	Capscrew, Hex Hd. 3/8" - 16UNC x 2"
22	020699	2	Wood Screw, Round #8 x 1"	49	020199	1	Locknut, Hex 3/8" - 16UNC
23	030350	1	Guide, Measuring (Includes Item 24)	50	020313	1	Capscrew, Hex Hd. 5/16" - 18UNC x 3/4"
24	020600	1	Screw, Thumb 5/16" - 18UNC x 1" Long	51	020785	1	Lockwasher, Split, 5/16"
25	034040	1	Stand Assembly (Optional)	52	020134	1	Nut, Hex 5/16" - 18UNC

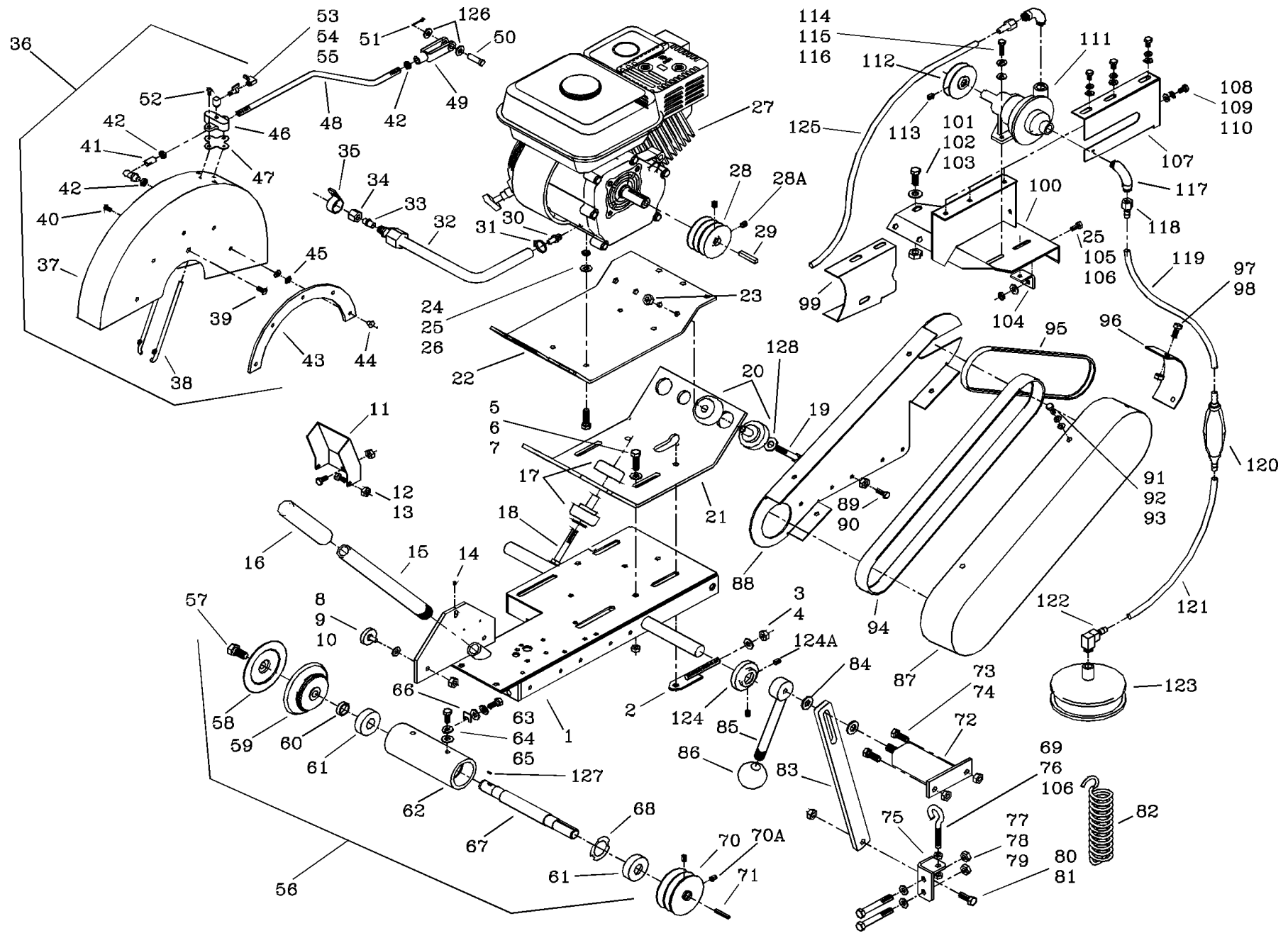


Diagram 3 - Upper Saw Assembly, Gasoline Models

(13 March 2002)

Diagram 3 - Parts List (Rev: 13 March 2002)

DIAG. LOC.	PART NO.	QTY. REQ.	DESCRIPTION	DIAG. LOC.	PART NO.	QTY. REQ.	DESCRIPTION
1	177299	1	Platform Weldment	65	020785	4	Lockwasher, Split, 5/16"
2	177696	1	Drawbolt Weldment, 3/8" - 16UNC	66	032501	(as req.)	Shim, .005" Thick
3	020764	1	Washer, Flat 3/8" SAE	--	032502	(as req.)	Shim, .015" Thick
4	020199	1	Locknut, Fiber 3/8" - 16	--	032503	(as req.)	Shim, .020" Thick
5	048740	4	Capscrew, Hex Hd., 3/8" - 16 x 1-1/4"	67	177289	1	Shaft, Blade, LH Thread
6	020743	4	Washer, Flat 3/8"	68	030004	1	Washer, Spring
7	020199	4	Locknut, Fiber 3/8" - 16	69	020169	1	Nut, Hex Jam Thin 5/16"-18
8	030822	3	Wheel	70	060106	1	Pulley, 2G3V3.15 - .75 w/ Setscrew
9	020763	3	Washer, Flat 5/16" SAE	70A	020550	2	Setscrew, Socket Hd., 5/16"-18 x 3/8"
10	032366	3	Nut, Keps 5/16" - 18UNC	71	020062	1	Key, 3/16" Sq. x 1-1/4"
11	177300	1	Shield, Water	72	177385	1	Support Weldment, Spring Top
12	020301	2	Capscrew, Hex Hd., 1/4" - 20 x 5/8"	73	020323	2	Capscrew, Hex Hd., 3/8"-16 x 1"
13	020195	2	Locknut, Fiber 1/4" - 20	74	020199	2	Locknut, Fiber 3/8"-16
14	020572	1	Setscrew, Socket Hd., #10 - 24 x 1/2"	75	177387	1	Support, Spring Bottom
15	186215	1	Handle (90°)	76	030251	1	Eye Bolt, 5/16"-18 x 2"
--	186218	1	Handle Kit (Incl. 15, 16, hardware, instructions & template)	77	020329	2	Capscrew, Hex Hd., 3/8"-16 x 2-3/4"
16	139568	1	Grip, Handle (For 90° handle-186215)	78	020764	2	Washer, Flat, 3/8" SAE
--	043935	1	Grip, Handle (For old straight handle.)	79	020199	2	Locknut, Fiber 3/8"
17	161197	1	Isolator, Engine 40-45 Durometer	80	048740	1	Capscrew, Hex Hd., 3/8"-16 x 1-1/4"
18	020329	1	Capscrew, Hex Hd., 3/8" - 16 x 2-3/4"	81	020199	1	Locknut, Fiber 3/8"-16
19	020329	3	Capscrew, Hex Hd., 3/8" - 16 x 2-3/4"	82	060395	1	Spring
20	161196	3	Isolator, Engine 30-35 Duro	83	177389	1	Arm, Counterbalance
21	177348	1	Plate, Engine Base	84	020745	2	Washer, Flat 1/2"
22	177307	1	Plate, Engine	85	174679	1	Handle, Lock
23	020199	4	Locknut, Fiber 3/8" - 16	86	163212	1	Knob (Early Models Only)
24	020373	4	Capscrew, Hex Hd., 5/16" - 18 x 1-1/2"	87	177381	1	Belt Guard w/ Decal
25	020763	5	Washer, Flat 5/16" SAE	88	177296	1	Support, Belt Guard
26	020197	4	Locknut, Fiber 5/16" - 18	89	020370	3	Capscrew, Hex Hd., 1/4"-20 x 3/4"
27	173098	1	Engine, 5.5HP Honda	90	020195	3	Locknut, Fiber 1/4"-20
27	190238	1	Engine, 6HP Robin	91	020370	4	Capscrew, Hex Hd., 1/4"-20 x 3/4"
28	177356	1	Pulley, 3G3V2.65 - .75 w/Setscrews	92	020784	4	Lockwasher, Split 1/4"
28A	020541	2	Setscrew, Socket .Hd. 1/4"-20 x 3/8"	93	020741	4	Washer, Flat 1/4"
29	020063	1	Key, 3/16" Sq. x 1-1/2" (Replacement)	94	177380	1	V-Belt, 2/3VX425 (2-Band)
30	177382	1	Fitting, Oil Drain M10 x 1.25 x .38 Barb (55H)	95	177439	1	V-Belt, 3L x 39 Links (For water pump)
30	177065	1	Fitting, Oil Drain M14 x 3/8 Barb (60R)	96	177405	1	Cover, Rear Belt Grd (w/o H2O Pump)
31	020049	1	Clamp, Hose	97	020313	2	Capscrew, Hex Hd., 5/16"-18 x 3/4"
32	167304	1	Hose Assembly, Oil Drain	98	020197	2	Locknut, Fiber 5/16"-18
33	167307	1	Cap, Blanking	99	177346	1	Shield, Front, Water Pump
34	167622	1	Nut, Tube M16	100	177342	1	Support Weldment
35	166676	1	Clamp, Insulated	101	020323	4	Capscrew, Hex Hd., 3/8"-16 x 1"
36	171729	1	Blade Guard Assy (Incl. 37-47 & 53-55)	102	020764	4	Washer, Flat 3/8" SAE
37	177291	1	Blade Guard Weldment, 14"	103	020199	4	Locknut, Fiber 3/8"-16
38	030865	2	Water Tube 14"	104	177357	1	Bracket, Drawbolt
39	020426	1	Screw, Machine Flat #10 - 32 x 3/8"	105	177378	1	Capscrew, Hex Hd., 5/16"-18 x 2"
40	020424	1	Screw, Machine Round #10 - 32 x 3/8"	106	020197	2	Locknut, Fiber 5/16"-18
41	031045	1	Joint, Ball	107	177344	1	Shield, Rear, Water Pump
42	020171	3	Nut, Thin Jam 3/8" - 24	108	021423	6	Capscrew, Hex Hd., 1/4"-20 x 1/2"
43	060435	1	Track, Blade Guard	109	020784	6	Lockwasher, Split 1/4"
44	020701	5	Rivet, Pop	110	020762	6	Washer, Flat 1/4" SAE
45	020762	10	Washer, Flat 1/4" SAE	111	177375	1	Pump, Water (Modified)
46	030870	1	Manifold	---	177424	1	Repair Kit, Water Pump (Not Shown)
47	030875	1	Gasket, Water Manifold	112	177354	1	Pulley, 1G3V2.65 - .625, w/ Setscrews
48	060455	1	Rod Link	113	020541	2	Setscrew, Socket Hd., 1/4"-20 x 3/8"
49	060460	1	Yoke	114	020306	2	Capscrew, Hex Hd., 1/4"-20 x 1"
50	060465	1	Pin, Clevis	115	020762	2	Washer, Flat 1/4" SAE
51	020611	1	Pin, Cotter	116	020195	2	Locknut, Fiber 1/4"-20
52	020425	2	Screw, Machine #10 - 32 x 1/2"	117	020815	2	Fitting, Street Elbow, 3/8" NPT x 90°
53	161176	1	Fitting, 90° Elbow 1/4" - 18, 3/8" Barb	118	020819	2	Fitting, 3/8" NPT x 3/8" Barb
54	090578	1	Valve, 1/4" - 18NPT	119	161225	1	Tubing, 3/8" ID x 16" Long
55	020813	1	Fitting, 90° Street Elbow 1/4" - 18 NPT	120	161158	1	Bulb, Primer
56	177305	1	Blade Shaft Assy. (Incl. 57-62 & 67-68)	121	161194	1	Tubing, 3/8" ID x 12" Long
57	177290	1	Capscrew, Hex Hd., 1/2"-20UNF-LH x 1.0"	122	161181	1	Fitting, 90° Elbow 1/2NPT x 3/8" Barb
58	030951	1	Collar, Outer	123	161159	1	Strainer, Suction
59	030945	1	Collar, Inner	124	030580	2	Bearing, Head Pivot
60	139274	1	Spacer	124A	020553	4	Setscrew, Socket Hd., 1/4"-28 x 1/4"
61	139273	2	Bearing	125	177379	1	Tubing, 3/8" ID x 32" Long
62	177416	1	Housing, Blade Shaft	126	020764	2	Washer, Flat 3/8" SAE
63	020314	4	Capscrew, Hex Hd., 5/16" - 24 x 3/4"	127	020089	1	Key, Woodruff (ANSI #403)
64	020763	4	Washer, Flat 5/16" SAE	128	163187	4	Washer, Flat .06 x .38ID x 1.5"OD

Notes: 55H = FOR 5.5HP HONDA MODEL
60R = FOR 6HP ROBIN MODEL

Diagram 4 - Lower Saw Assembly, Gasoline Model

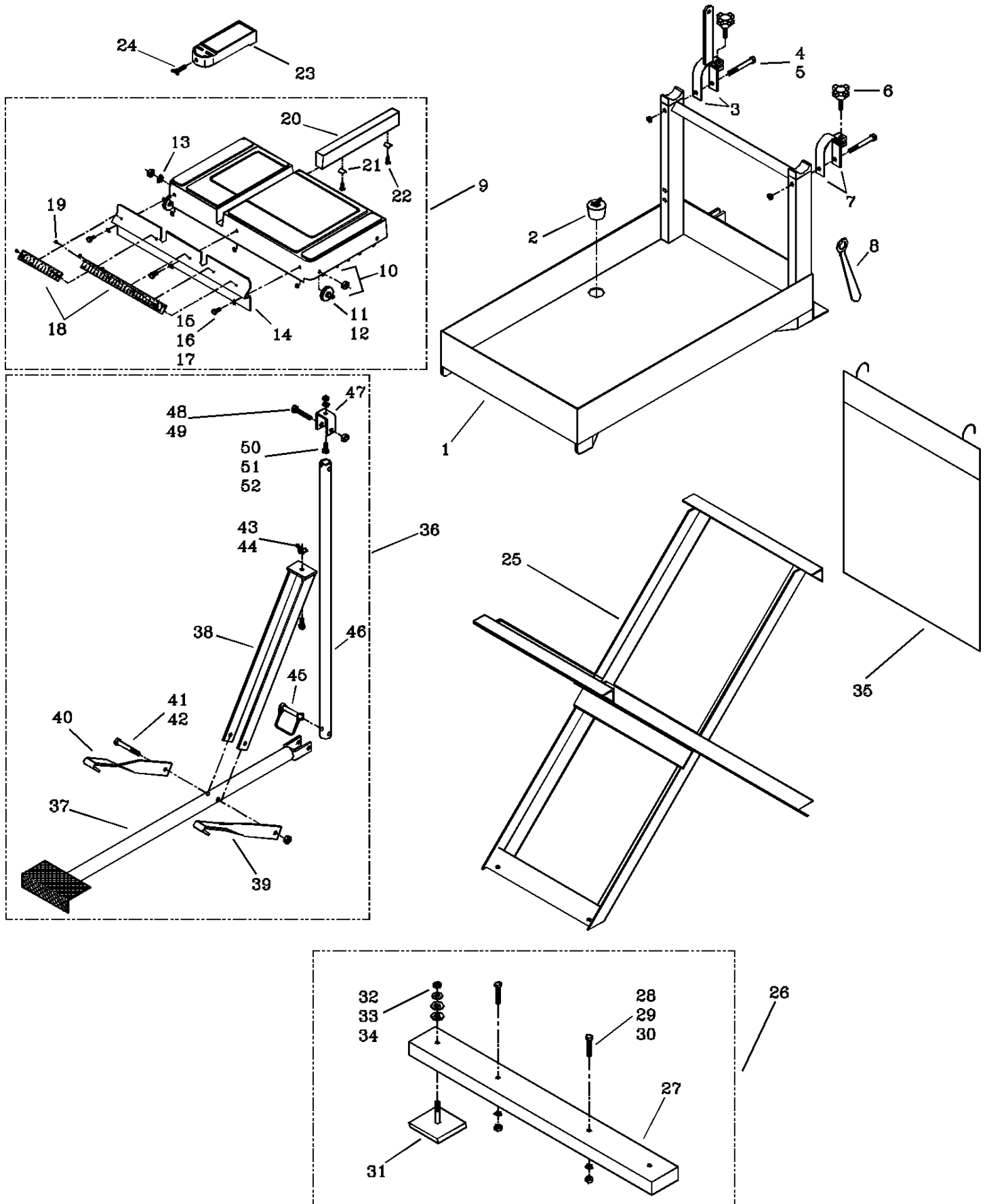
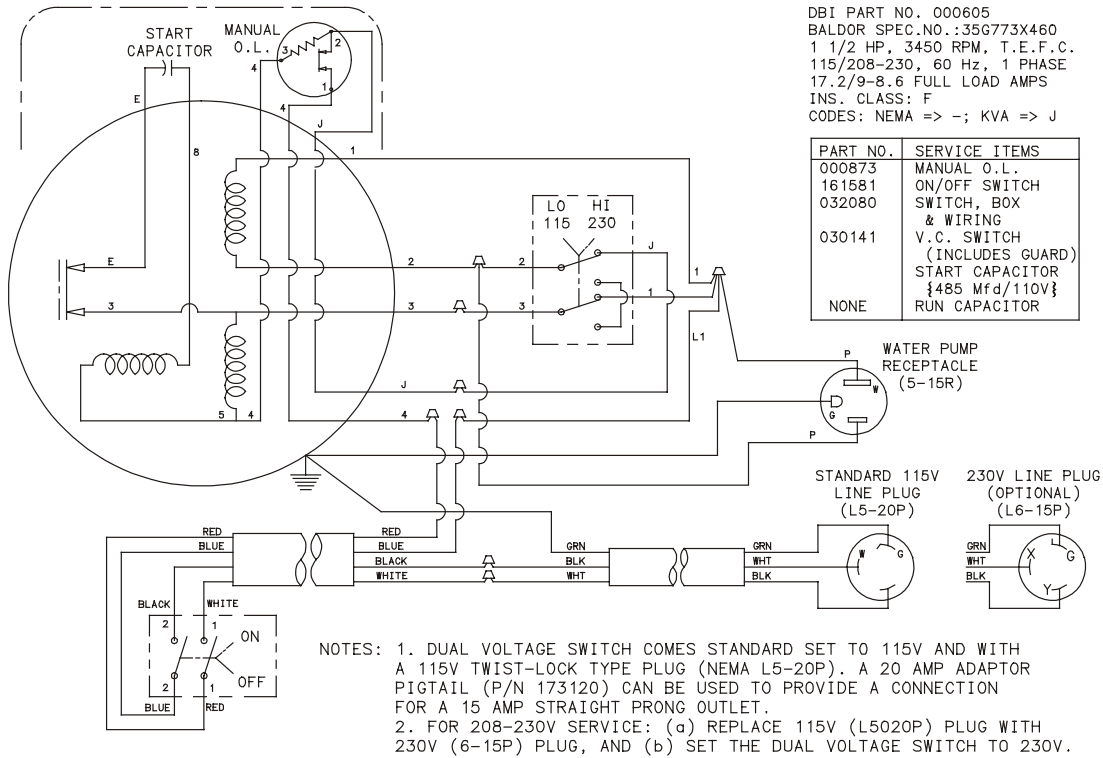


DIAGRAM 4 - PARTS LIST (19MAR98)

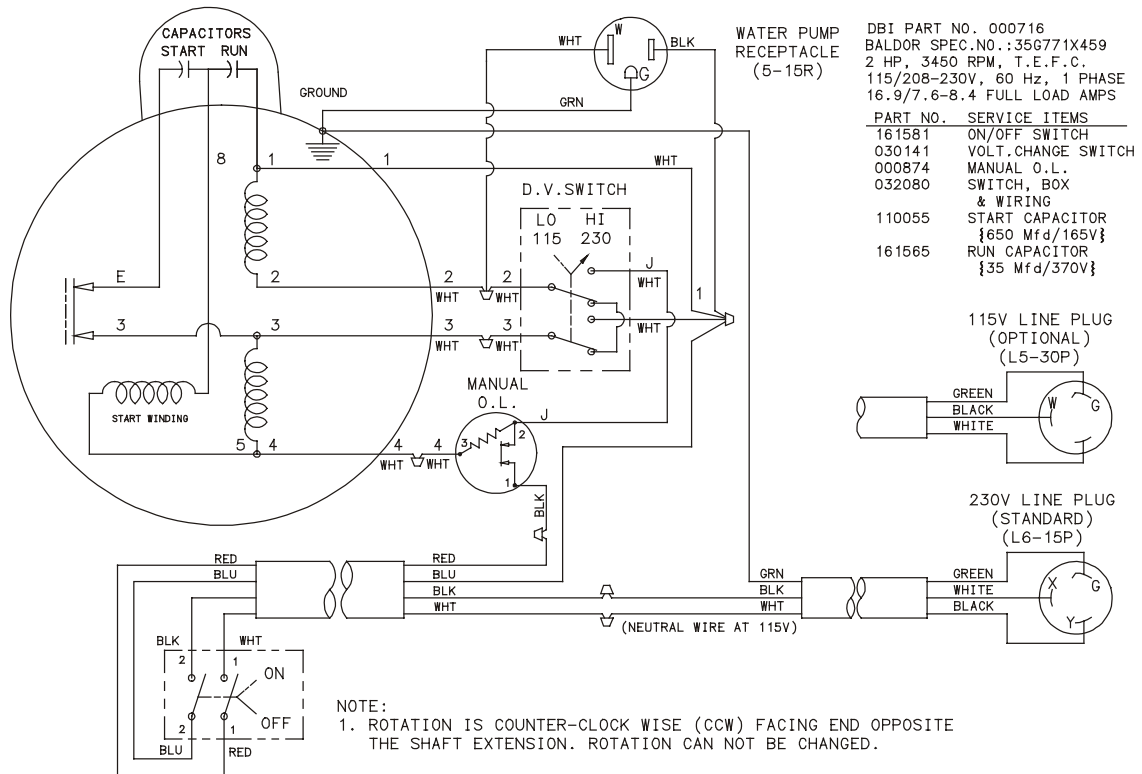
DIAG. LOC.	PART NO.	QTY. REQ.	DESCRIPTION	DIAG. LOC.	PART NO.	QTY. REQ.	DESCRIPTION
1	177409	1	Pan Weldment	26	177401	1	Skid Kit (Optional)
2	030386	1	Drain Plug Assembly	27	177399	2	Skid, Wooden
3	030971	1	Tilt Arm Clamp	28	020509	4	Capscrew, Hex Hd., 3/8" - 16 x 2"
4	020330	2	Capscrew, Hex Hd., 3/8" - 16 x 3"	29	020743	4	Washer, Flat 3/8"
5	020199	2	Locknut, Fiber 3/8" - 16	30	020199	4	Locknut, Fiber, 3/8" - 16
6	030610	2	Knob, Hand (early models)	31	161195	4	Pad, Skid
--	048742	2	Capscrew, Hex Hd., 5/16" - 18 x 1-1/4"	32	020743	4	Washer, Flat 3/8"
--	020763	2	Washer, Flat, 5/16" SAE	33	020745	8	Washer, Flat 1/2"
7	030591	1	Clamp	34	020199	4	Locknut, Fiber, 3/8" - 16
8	177383	1	Wrench, Blade Shaft	35	030402	1	Curtain, Splash
9	177303	1	Conveyor Cart Kit, Complete	36	034050	1	Foot Pedal Kit (Optional)
10	030049	1	Wheel Kit, Set of 4, w/ Nuts	37	034051	1	Foot Pedal
11	030822	4	Wheel, Cart	38	034055	1	Support, Foot Pedal
12	032366	4	Nut, Keps 5/16" - 18UNC	39	034058	1	Support, Pedal, Right
13	020763	2	Washer, Flat 5/16" SAE	40	034059	1	Support, Pedal, Left
14	177652	1	Backstop, Honda Gas	41	020329	1	Capscrew, Hex Hd., 3/8" - 16 x 2-3/4"
15	020301	3	Capscrew, Hex Hd., 1/4" - 20 x 5/8"	42	020199	1	Locknut, Fiber 3/8" - 16
16	020784	3	Lockwasher, Split, 1/4"	43	020238	1	Wingnut, 3/8" - 16
17	020133	3	Nut, Hex 1/4" - 20 RH	44	020323	1	Capscrew, Hex Hd., 3/8" - 16 x 1"
18	177404	1	Ruler Set, Conveyor Cart (Gas Model)	45	160080	1	Pin, Snapper
19	020432	5	Screw, Pan Head #10-24 x 3/8"	46	034061	1	Rod, Tilt
20	030362	1	Insert, Wood Assembly	47	034062	1	Yoke, Tilt Rod
21	170038	1	Tubing, 3/8" ID x 5/8" (Cut in half at Assy)	48	020509	1	Capscrew, Hex Hd., 3/8" - 16 x 2"
22	020699	2	Wood Screw, Round Hd., #8 x 1"	49	020199	1	Locknut, Fiber 3/8" - 16
23	030350	1	Guide, Measuring (Incl. Item 24)	50	020313	1	Capscrew, Hex Hd., 5/16" - 18 x 3/4"
24	020600	1	Screw, Thumb, 5/16" - 18 x 1" Flat Pt	51	020785	1	Lockwasher, Split, 5/16"
25	034040	1	Stand Assembly (Optional)	52	020134	1	Nut, Hex 5/16" - 18

Wiring Diagram: 1-1/2 HP Electric Motor



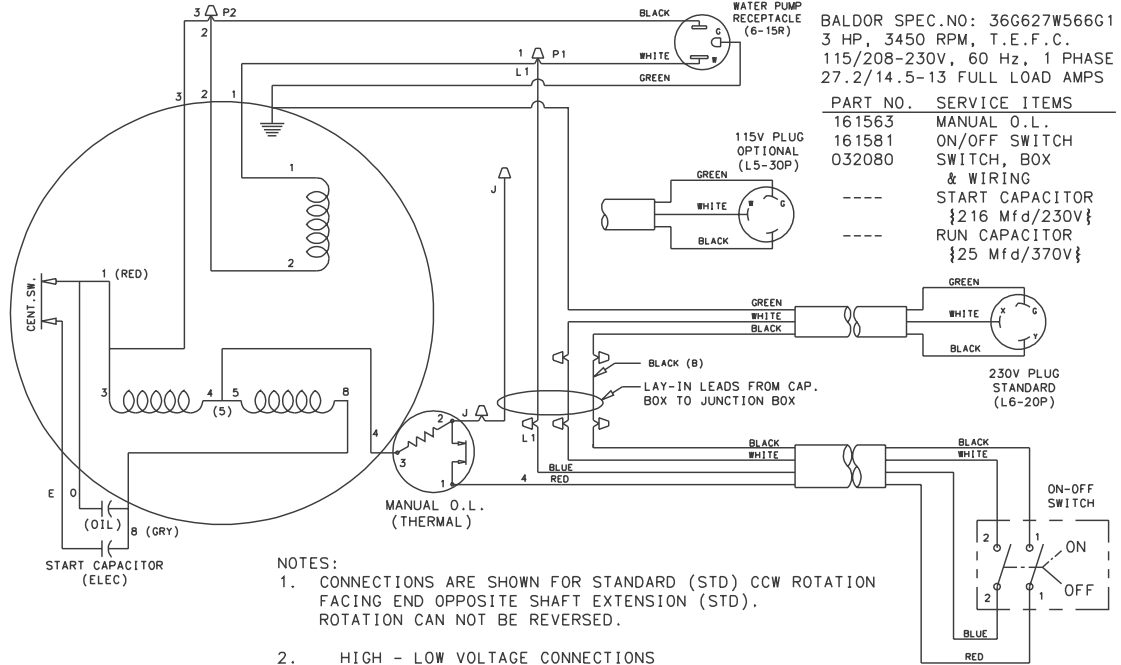
PART NO.	SPEC. NO.	HP	RPM	VOLT	HZ	PH	F. L. AMPS
000605 (161702)	35G773X460	1.5	3450	115/208-230	60	1	17.2/9-8.6

Wiring Diagram: 2 HP Electric Motor



PART NO.	SPEC. NO.	HP	RPM	VOLT	HZ	PH	F. L. AMPS
000716	35G771X459	2.0	3450	115/208-230	60	1	16.8/7.6-8.4

Wiring Diagram: 3 HP Electric Motor



VOLT	JOIN	JOIN	INSULATE
HIGH	L1, 1, P1	2, 3, P2	J
LOW	L1, 1, 3, P1	2, J, P2	-

PART NO.	SPEC. NO.	HP	RPM	VOLT	HZ	PH	F. L. AMPS
160885	36G627W566G1	3	3450	115/208-230	60	1	27.2/14.5-13