

OWNERS MANUAL

Clipper Masonry Saw

Models:

BBL545

**BLOCKBUSTER
CLASSIC**

BBL525

BBL1145

BBL1125

CONVEYOR CART 83777

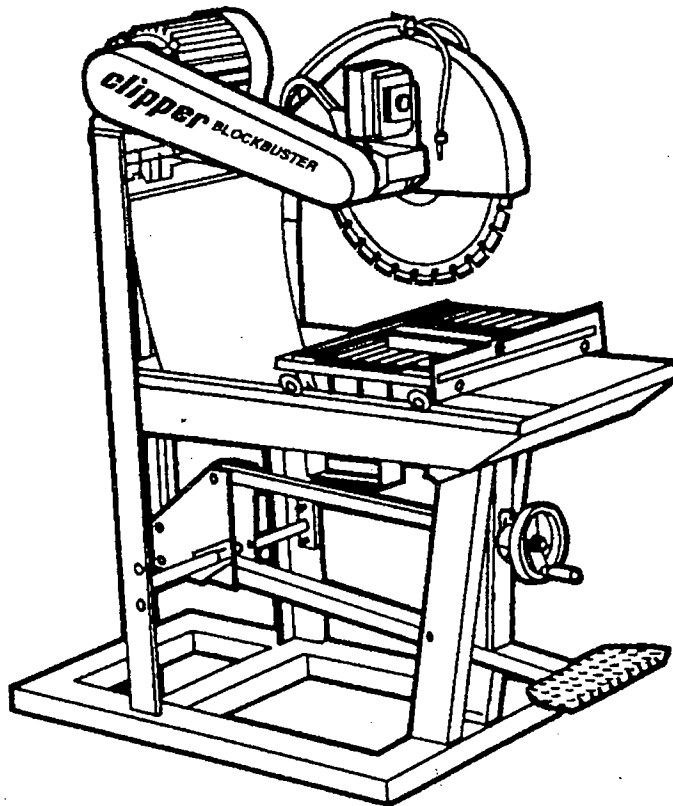
WHEELS 75333

WATER PUMP GAS MECH

73279

WATER PUMP ELEC

214169 OR 210437



clipper

A PRODUCT OF MORTON COMPANY 

FORM 5047 rev8/00

64

BBL345/545/525-YML525 ELECTRIC MODELS

Item N°	Description	Part N°	Item N°	Description	Part N°
1	Drain Plug	213622	30	Bearing Blade Shaft (1) 73418	218049 **
2	Frame Weldment	218001C	31	Support, Bearing (1) 76060	214104C
3	Water Pump Kit Screen Hood Impeller	214169 216641 155775 216642 101375 216658	32	Bushings Nylon (1) 73220	213634
4	Conveyor Cart 83777	216286	33	Blade Shaft Kit 76556	218050
5	Sheaves, Cart [4] 75333	213624	34	Loose Collar 73281	218016
6	Back Stop, Cart 83895	216288	35	Screw Loose Collar	8042096
7	Wood strip, Cart	216287	36	Water Curtain Assembly 75128	214018
8	Hardware Kit, Back Stop	216293	37	Belt Guard Assembly 76129	218051
9	Guide A Cut Assembly 83892	216128	38	Pulley Blade Shaft	76132
10	Scale Kit	216291	39	Bracket Belt Guard 73298	218052
11	Wrench 3/4"	213643	40	V-Belts 14" A58 60 O.C. (2) V-Belts 20" A57 59 O.C. (2)	216663 216662
12	Wrench 7/8"	214124	41	Pulley Motor 14" Pulley Motor 20"	76130 76131
13	Stop Rubber	210051	42	Eye Bolt Assembly	73277
14	Bearing Kit Foot Pedal	218041	43	Cutting Head NEXT PG ****	218002G
15	Set Collar & Screw	218042	44	Splash Guard Kit	218053
16	Crank Wheel	123291	45	Blade Guard Kit 14" Blade Guard Kit 20" 76126	214122C 218054C
17	Brass Nut	109298	46	Water Distribution Assy 14" Water Distribution Assy 20"	214126 218055
18	Foot Pedal Lever	218003	47	Came Kit Stay-Level Arm	214132
19	Eye-Bolt Tensioning Spring	73277	48	Stay Level Arm 218014	214132
21	Pivot Bearing Kit	218043	49	Stay Level Arm Pin Kit	214131
* 22	Adjustment Bar Kit	218044	50	Motor 3hp 1ph Motor 5hp 1 PH 232088 Motor 5hp 3 PH 232099	211036 211038 *** 219040
20	SPRING FOOT PEDAL	72567			
23	Pivot Plates	218013	51	Receptacle Water Pump	216579
24	Bearing Plate	218036	52	Dual Voltage Switch (115 219060 230v) 3hp Models Only Switch (On/Off) 1ph 219059 Switch (On/Off) 3ph 219059	218092 218093 218094
25	Connecting Bar Kit W/HDWE	218045	53	Switch Knob	213152
26	Pin Kit, Connecting Bar 76458	218046	54	Cable Outlet	214023
27	Depth Stop Kit 76551	218058	55	Split Bearing Kit (1)	218056
28	Decal Kit OBS	216665	56	Leveling Support	76113
29	Protection Plate 76111	218047	-NA-	Electrical Switch And Box Only	219059
			-NA-	Switch Box Only Plastic 219081	219060

** 218049 WORKS WITH OLD BLADE SHAFT 218050
USE 73418 WITH NEW SHAFT 76556

EMERGENCY STOP SWITCH BOX 213587
STOP SWITCH ONLY 83745

* USE FOLLOWING FOR 218044:
76549, 72475, 83831

*** MOTOR FAN FOR OLD MOTOR
211038 USE 211038B

IF NEW MOTOR 232088 USE
232094 OR 232088A

BBL1145/1125-YM1125 GAS MODELS PARTS LIST

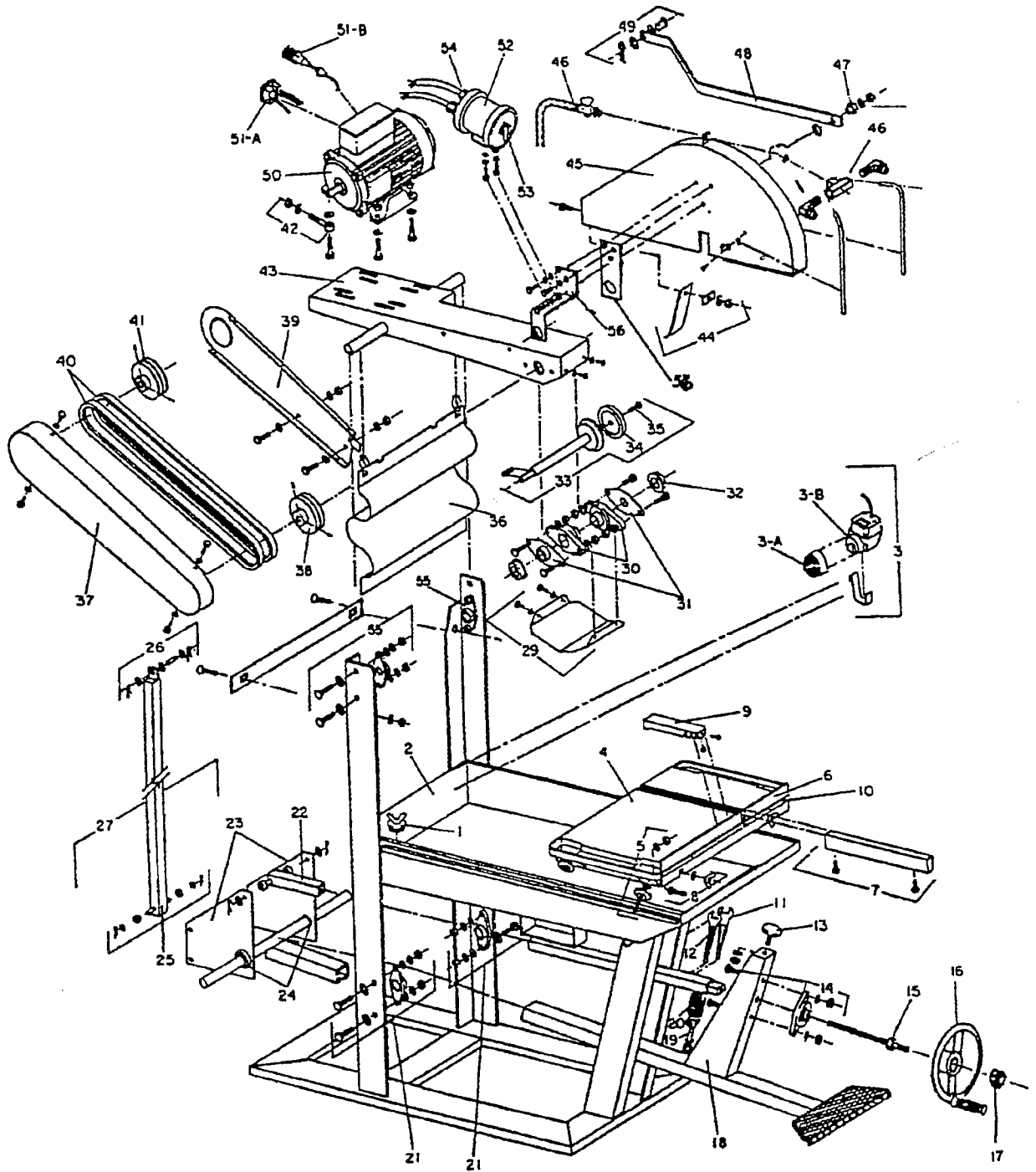
Item N ^o	Description	Part N ^o	Qty Req.
1	Spacer, Jack Shaft Belt Guard	218107	4
2	Bracket, Jack Shaft Belt Guard	218103	1
3	Pulley, Engine 3.75" O.D. Bushed To 1"	216266	1
3a	Bushing, Taper-Lock	213591	1
3b	Key Stock, 1/4" Sq. x 2.0" Long	9201121	1
4	Belt Guard, Jack Shaft	218104	1
5	Belt 4L280 28" O.C. Jack Shaft	218111	2
6	Pulley, Jack Shaft Input 4.45" O.D. Bushed To 1"	213572	1
6a	Bushing, Taper-Lock	213591	1
6b	Key Stock, 1/4" Sq. x 2.0" Long	9201121	1
7	Jack Shaft	218108	1
8	Plate, Mounting Engine	218106	1
9	Impeller, Water Pump	72862	1
10	Screen, Water Pump	72186	1
11	Body, Water Pump	72284	1
12	Flex Shaft, Water Pump Complete	72285	1
13	Drive End Water Pump	72297	1
14	Cutting Head Weldment USE 2 83728 1 76124	218002 OBS	1
15	Bracket Belt Guard B/S	218101	1
16	Pulley B/S 3.5" O.D.	76132	1
17	Belts B/S A48 14" & 20" Set Of 2	106142	1
18	Belt Guard Blade Shaft	218102	1
19	Pulley, Water Pump 2.3" O.D.	213590	1
20	Pulley J/S Output	76131	1
20a	Key Stock 3116" Sq. x 1-3/4" Lg.	9201084	1
21	Cover, Jack Shaft	218109	1
22	Bearing Pillow Block	227175 150110	2
23	Engine Honda GX340K1 11 H.P.	123327 123251	1
24	Water Pump Assembly	73279	1

PART # 123327

**23 HONDA 13 HP ENGINE: THIS NEW MODEL ENGINE IS FULLY COMPATIBLE TO THE SAW
NEEDING NO ADDITIONAL PARTS**

****** 218002C USE QTY 2 83728 AND QTY 1 76124**

BBL345/545/525-YML525



BBL1145/1125-YML1125 Gas Models

