



# HOMEOWNER'S CARE AND OPERATION INSTRUCTIONS

## WOOD BURNING FIREPLACES MODEL CST38MH



36" Multi-View Wood Burning Fireplaces  
P/N 725,036M REV. B 03/2006

### MODELS

#### CST38MH

The information contained in this manual applies to all model fireplaces identified on this page. This information will help you obtain safe and dependable service from your fireplace system. Keep this document in a safe place for future reference.

Before you start your first fire, read this Care and Operations Manual carefully to be sure you understand your fireplace system completely. Failure to follow these suggestions could result in hazardous operation or fireplace malfunction, creating a serious potential for personal injury and/or property damage.

If you have any questions regarding the safe use or operation of your fireplace, contact your local distributor or your contractor/builder.

Most chimney systems will require onsite completion after placement of the manufactured home.

**RETAIN THESE INSTRUCTIONS  
FOR FUTURE REFERENCE**



We recommend that our woodburning hearth products be installed and serviced by professionals who are certified in the U.S. by the National Fireplace Institute® (NFI) as NFI Woodburning Specialists or who are certified in Canada by Wood Energy Technical Training (WETT).



Tested & Listed By

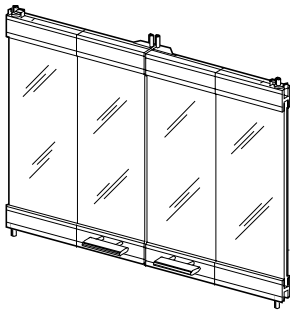


Beaverton  
Oregon USA

OMNI-Test Laboratories, Inc.

OTL Report No.  
116-F-20-4

## ACCESSORIES AND COMPONENTS - MODEL CST38MH



### Bi-Fold Doors

12M07	38ABF	38" Bi-Fold Door, Black
12M08	38ABF-BB	38" Bi-Fold Door, Bright Brass
12M09	38ABF-BS	38" Bi-Fold Door, Brushed Stainless

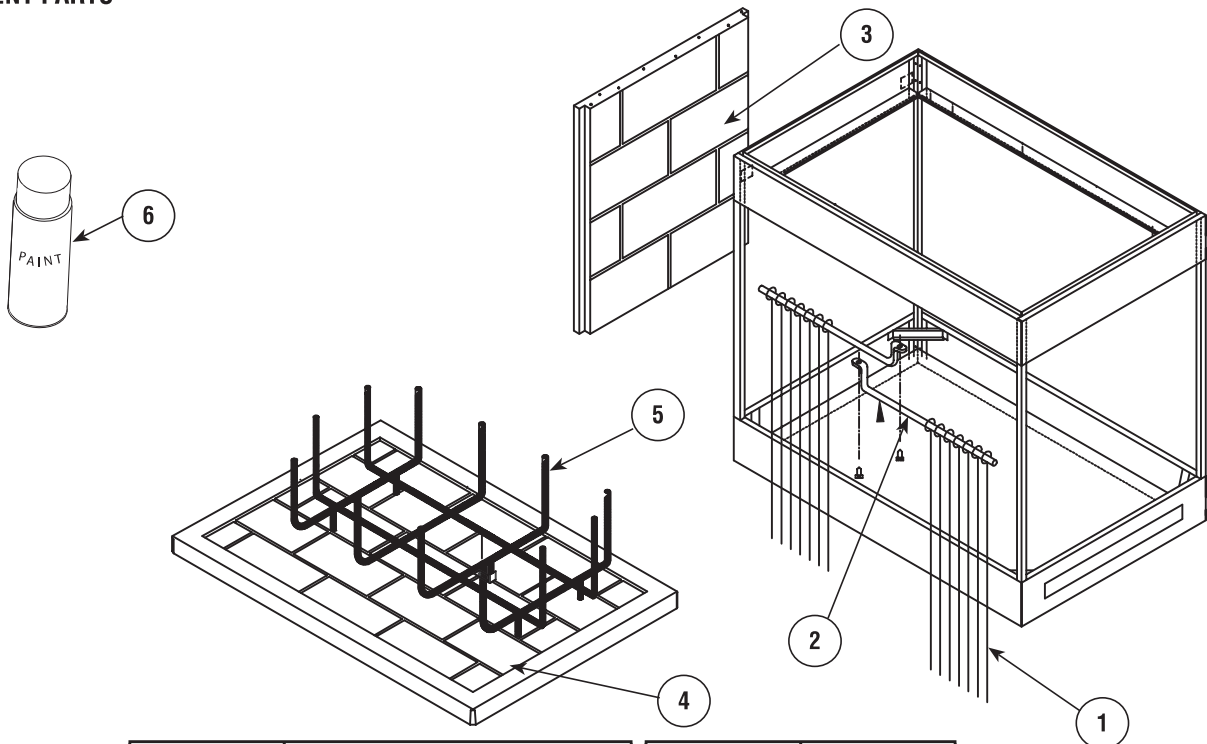
### Aluminum Doors

Your fireplace can be fitted with optional doors with either a Bright Brass or Brushed Stainless finish.

- Model 38ABF doors are black and are provided as a standard part with these fireplaces.
- Model 38ABF-BB doors are optional and have a beautiful bright brass finish.
- Model 38ABF-BS doors are optional and have a beautiful brushed stainless finish.

To ensure warranty and to prevent a potential fire hazard, do not use any other doors on these appliances.

## REPLACEMENT PARTS



No	Description	Part No.	Qty.
	<b>Fireplace Assembly</b>	-	-
1.	Firescreen	93078	4
2.	Rod, Screen	H3994	4
3.	Refractory, Side	52201	2
4.	Refractory, Bottom	52131	1
	Refractory Clip, Left	52191	1
	Refractory Clip, Right	52193	1
5.	Grate, Model SGR-38B	52371	1
6.	Paint, Touchup, Black, FTPK-B	H4353	1

NOTE: DIAGRAMS & ILLUSTRATIONS ARE NOT TO SCALE

The manufacturer reserves the right to make changes at any time, without notice, in design, materials, specifications, prices and also to discontinue colors, styles and products. Consult your local distributor for fireplace code information.