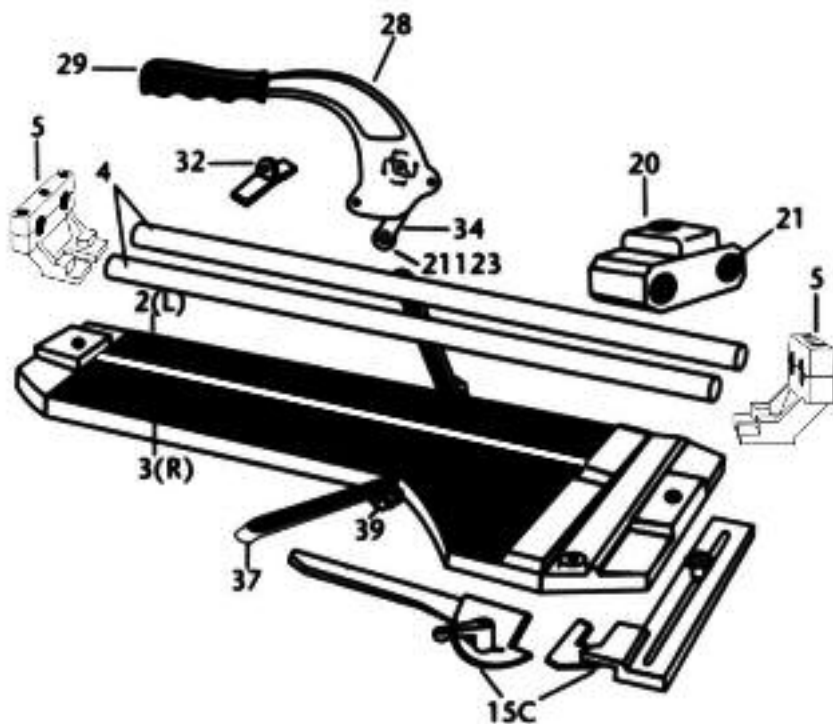


PARTS LIST AND DIAGRAM



REPLACEMENT PARTS LIST

Part	Qty	Description	Part	Qty	Description
10603	1	Box	10601-36	1	Handle (complete with holder for ball bearing wheel, breaker bar, & slide assembly with bearings (20, 21, 28, 32, 34))
10603-2/3	2	Replacement Pads	10601-37	2	12" Aluminum Arms
10603-4	2	Rail Bars	10600-39	4	White Round Head Screws
10603-5	1	End Bracket	21123	1	7/8" Titanium Coated Tungsten Carbide Ball Bearing Cutting Wheel
10603-15C	1	Guide (complete with clamp lever)			
10601-20	1	Slide Assembly			
10600-21	1	Bearing Assembly Only			
10601-28	1	Handle with Grip			
10601-29	1	Grip			
10601-32	1	Breaker Bar			
10601-34	1	Holder for Ball Bearing heel			