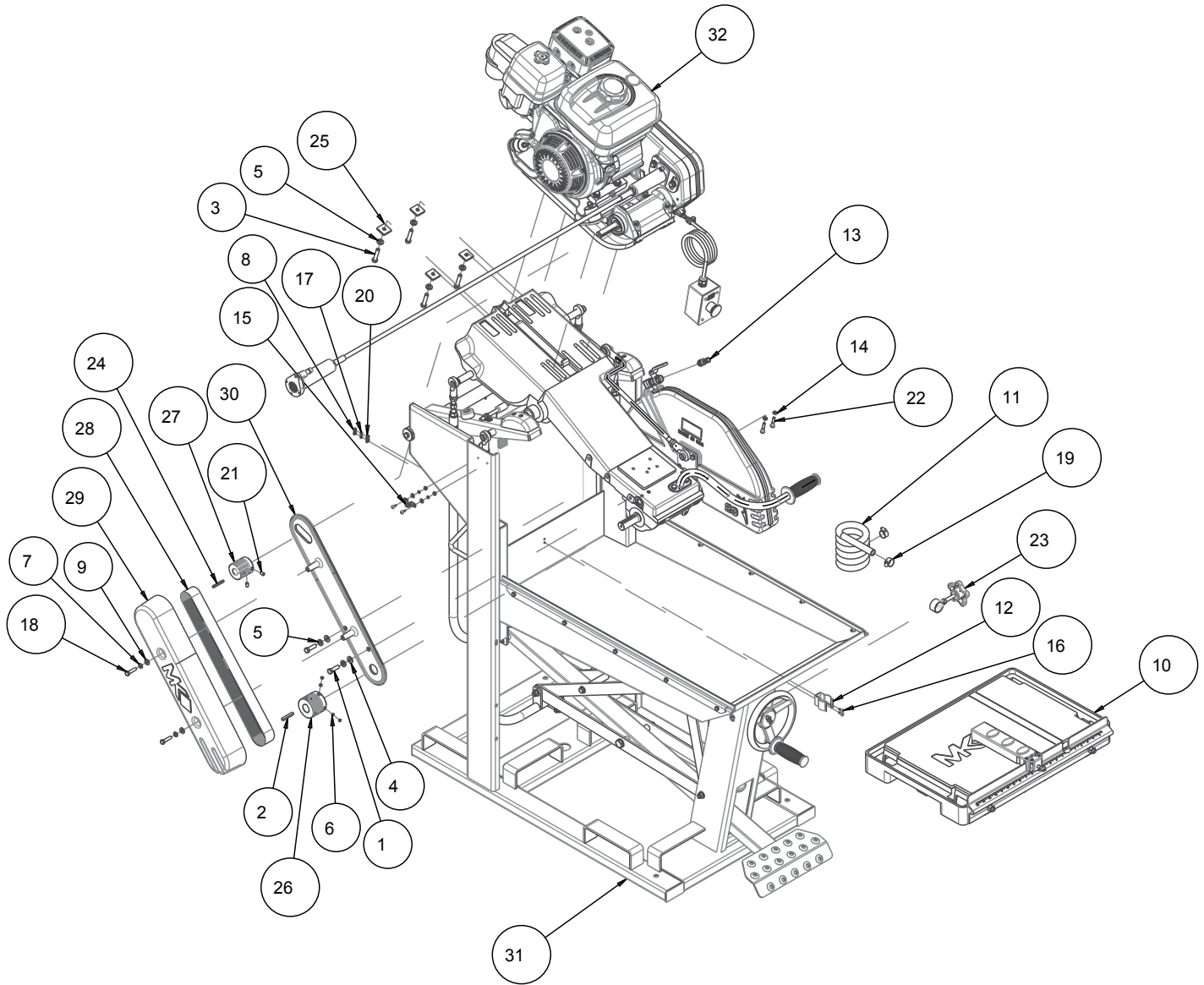


FIGURE 1 - MK-5009G BLOCK SAW HONDA 9HP 20IN BLADE GUARD P/N 158935

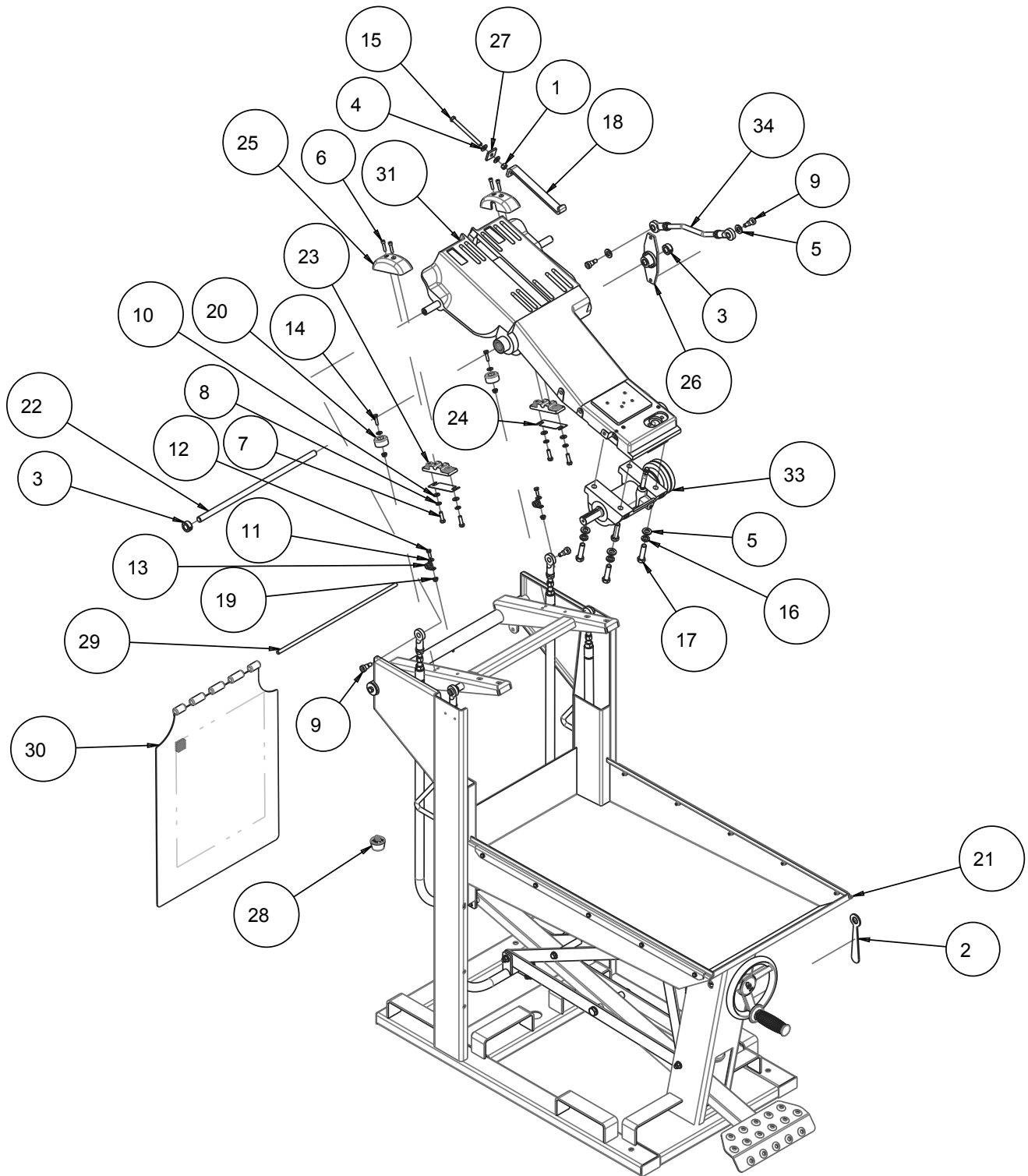


<b>SUBSTITUTION TABLE</b>		<b>ITEM 13</b>	<b>ITEM 26</b>	<b>ITEM 27</b>	<b>ITEM 31</b>
<b>PART NO.</b>	<b>DESCRIPTION</b>	<b>FITTING</b>	<b>ARBOR PULLEY</b>	<b>JS PULLEY</b>	<b>BASE ASSY</b>
158935-14	MK-5009G BLK SAW HONDA 9HP 14" BG	152704	161135	158959	172446-14
158935	MK-5009G BLK SAW HONDA 9HP 20" BG	152489	158470	160364	172446-20
158935-24	MK-5009G BLK SAW HONDA 9HP 24" BG	152489	161135	160634	172446-24

**FIGURE 1 - MK-5009G BLOCK SAW HONDA 9HP 20IN BLADE GUARD P/N 158935**

ITEM	DESCRIPTION	PART #	QTY
1	SCREW, 3/8-16 X 1-1/4 HEX HEAD CAP	150774	2
2	KEY, 1/4 SQR X 1-3/4	150796	1
3	SCREW, HEX HD, 3/8-16 X 1-3/4	150920	4
4	WASHER, FLAT, SAE, 3/8	150923	2
5	WASHER, LOCK, SPLIT, 3/8	150925	6
6	SCREW, SET, CUP PT, 5/16-18X3/16	151167	4
7	WASHER, LOCK, SPLIT, 5/16	151747	2
8	NUT, HEX, 10-24	151749	4
9	WASHER, FLAT, SAE, 5/16	151754	2
10	ASSY, TABLE MK5000	152124	1
11	HOSE, VINYL, 1/2X3/4 (6.0')	152410	1
12	CLAMP, SPRING	152453	1
13	FITTING, 3/8 MNPT X 1/2 BARB	152489	1
14	WASHER, LOCK,SPLIT, 1/4	152591	2
15	CLAMP, CUSHION LOOP 3/8	152592	1
16	SCREW, PHILP SELF TAP 10-24 X 5/8"	153681	4
17	WASHER, #10 SPLIT LOCK	153684	4
18	SCREW, HEX HD, 5/16 - 18 X 1-1/4	153950	2
19	CLAMP, HOSE, 7/8	154173	2
20	WASHER, FLAT, SAE, #10	154369	4
21	SCREW, 5/16-18 X 3/8 SOCKET HEAD SET	157084	2
22	SCREW, HEX HD, 1/4 -20 X 1-1/4	157145	2
23	ASSY, FRICTION LOCK	157380	1
24	KEY, 3/16 X 3/16 X 1-3/4	157561	1
25	WASHER, SQR, 7/16 X 1-1/4 X 3/16	157567	4
26	PULLEY, 16J25 1.0 BORE	158470	1
27	PULLEY, 16J20 X .75 BORE	160364	1
28	BELT, 16J430	160367	1
29	BELT GUARD, OUTER, ARBOR, COMP	160888	1
30	CASTING, BT GRD ARBOR-INR-C	160890	1
31	ASSY, BASE, HVY DTY 20" BLD GRD	172446-20	1
32	ASSY, ENGINE, HONDA, GX270 W/CYC 20/24"	172545	1

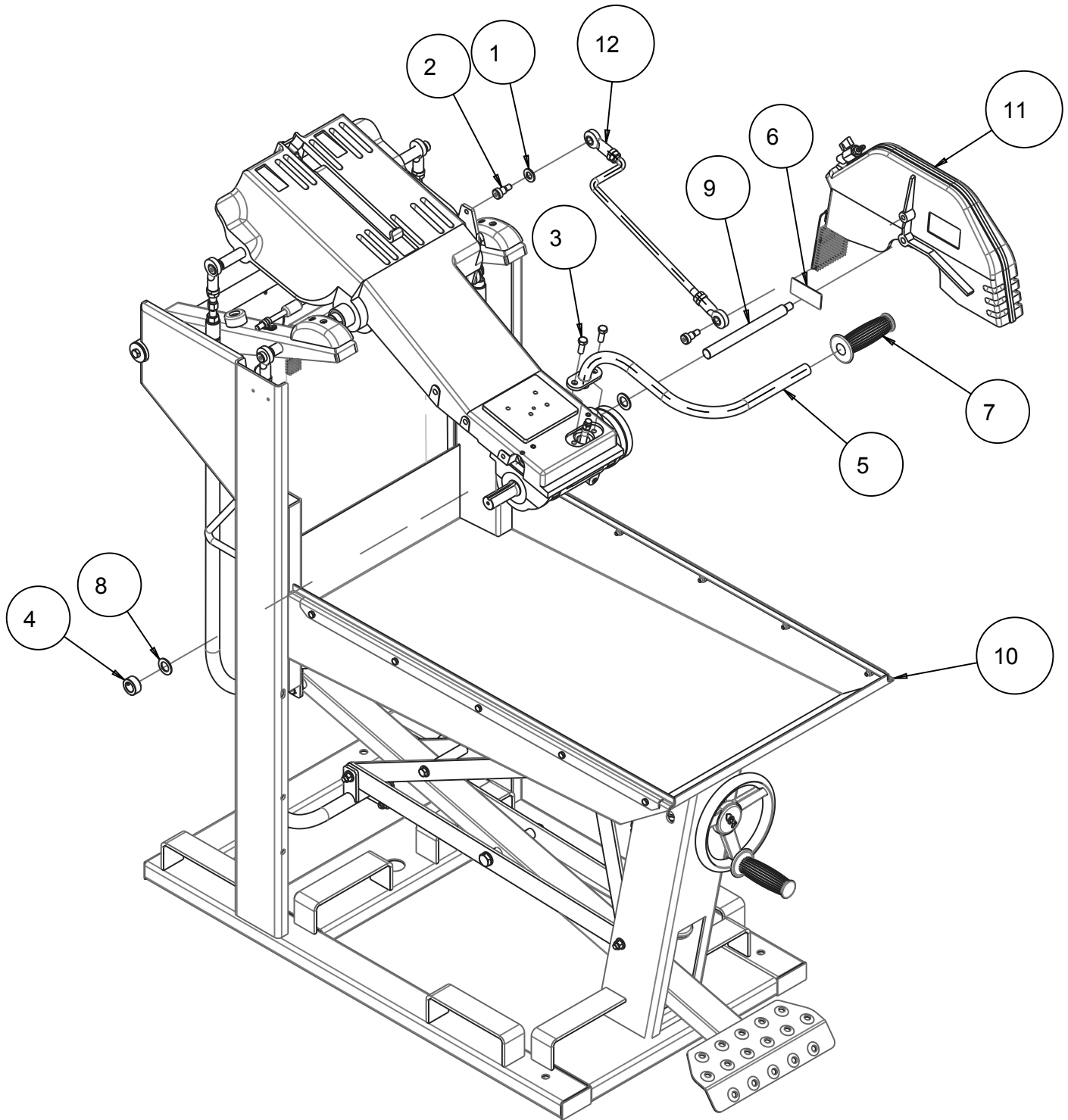
FIGURE 3 - MK-5000 BLOCK SAW ASSY, BASE, HVY DTY PARENT P/N 172446



**FIGURE 3 - MK-5000 BLOCK SAW ASSY, BASE, HVY DTY PARENT P/N 172446**

ITEM	DESCRIPTION	PART #	QTY
1	NUT, HEX, 3/8-16	101188	1
2	WRENCH, 3/4 BOX END	134056	1
3	COLLAR, 1/13 ODX.625ID .5 WIDE	140012	2
4	WASHER, FLAT, SAE, 3/8	150923	2
5	WASHER, 1/2 SAE FLAT	150924	6
6	SCREW, SOC HD CAP, 1/4 - 20 X 1	151049	4
7	SCREW, HEX HD, 5/16-18X1	151743	4
8	WASHER, LOCK, SPLIT, 5/16	151747	4
9	SCREW, SHOULDER, 1/2 X 1/2	151753	4
10	WASHER, FLAT, SAE, 5/16	151754	4
11	WASHER, FLAT, SAE, 1/4	151915	4
12	SCREW, HEX HD, 1/4-20X3/4	152370	2
13	CLAMP, CUSHION LOOP 3/8	152592	2
14	SCREW, HEX HD, TAP, 1/4 -20 X 1	152676	2
15	SCREW, HEX HD, TAP, 3/8-16 X 4-1/2	153110	1
16	WASHER, 1/2 SPLIT LOCK	153524	4
17	SCREW, HEX HD 1/2-13X2	153533	1
18	STRAP, MOTOR ADJUSTMENT	153611	1
19	NUT, HEX, TW, 1/4-20	153941	4
20	BUMPER, 1/4 ID X 1-1/2OD X 3/4	154496	2
21	ASSY, FRAME	154629	1
22	SHAFT, PIVOT, CUTTING HEAD	154828	1
23	PILLOW BLOCK (COMP)	155762	2
24	SHIM, .025 PILLOW BLOCK	155905	2
25	BLOCK COVER (COMP)	156265	2
26	CRANK, BELL	157426	1
27	WASHER, SQR, 7/16 X 1-1/4 X 3/16	157567	1
28	DRAIN PLUG, W/RING	159529	1
29	ROD, SPLASH CURTAIN	160711	1
30	CURTAIN, SPLASH, MK-5000	160764	1
31	ASSY, CUTTING HEAD, STD	162546	1
32	OIL, 10-40 SAE MOTOR (1QT)	164970	1
33	ASSY, HD ARBOR	170951	1
34	ASSY, ARM, REAR	172537	1

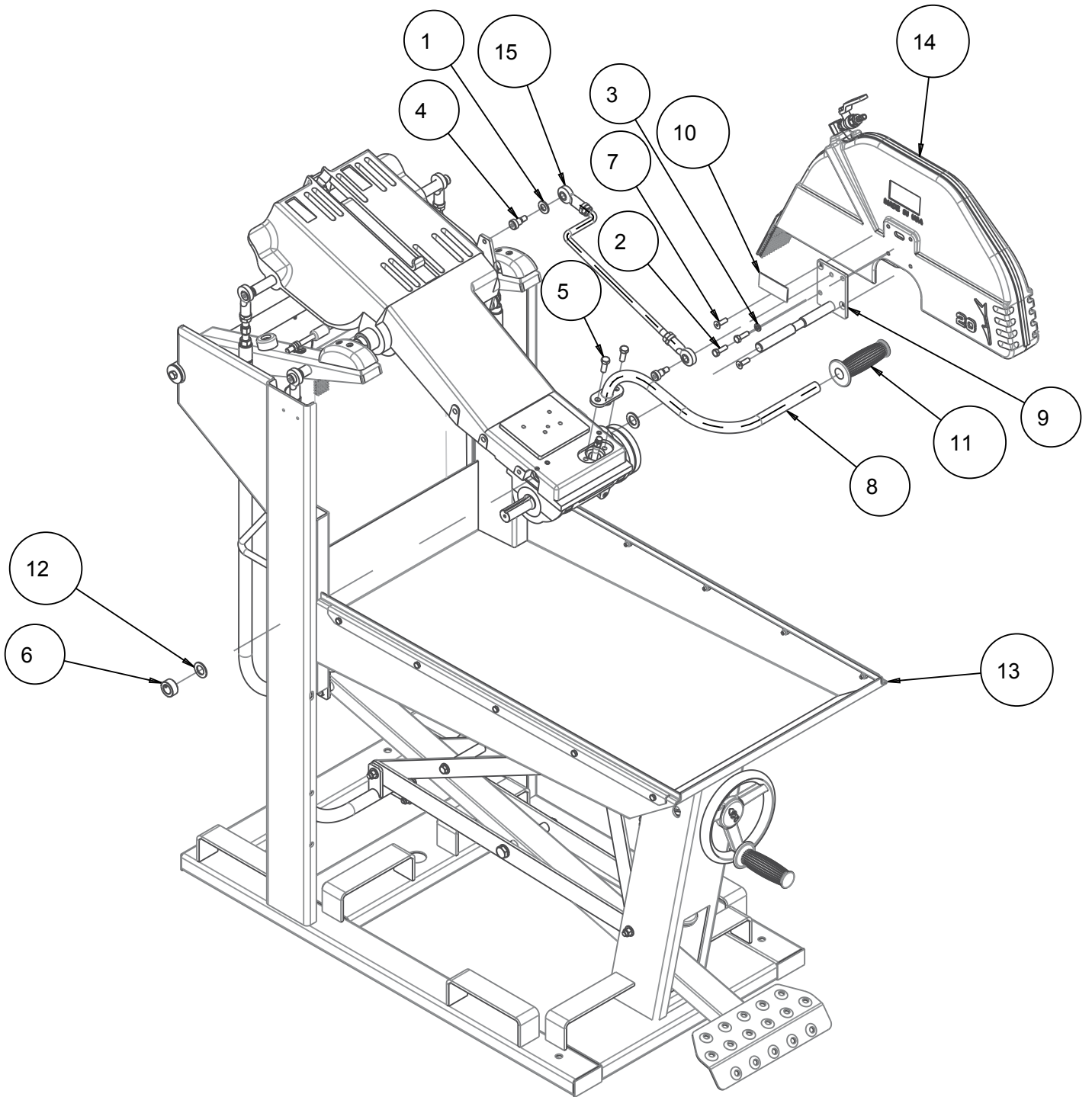
FIGURE 4 - MK-5000 BLOCK SAW 14IN BLADE GUARD P/N 172446-14



**FIGURE 4 - MK-5000 BLOCK SAW 14IN BLADE GUARD P/N 172446-14**

ITEM	DESCRIPTION	PART #	QTY
1	WASHER, 1/2 SAE FLAT	150924	1
2	SCREW, SHOULDER, 1/2 X 1/2	151753	2
3	SCREW, HEX HD CAP, 3/8 - 16 X 1	152507	2
4	COLLAR, SET, 3/4"	153814	1
5	HANDLE, CUTTING HEAD MK5000 20"	155851	1
6	TAG, SERIAL NUMBER, BLANK	157500-RW	1
7	GRIP, HANDLE 7/8 ID	158608	1
8	WASHER, FLAT, PLAS, .75 X 1.25 X .080	160827	2
9	SHAFT, PIVOT, 14" BLD GRD	164738	1
10	ASSY, BASE, STD DTY PARENT	172446	1
11	ASSY, BLD GRD, 14"	172449	1
12	ASSY, ARM, FRONT	172538	1

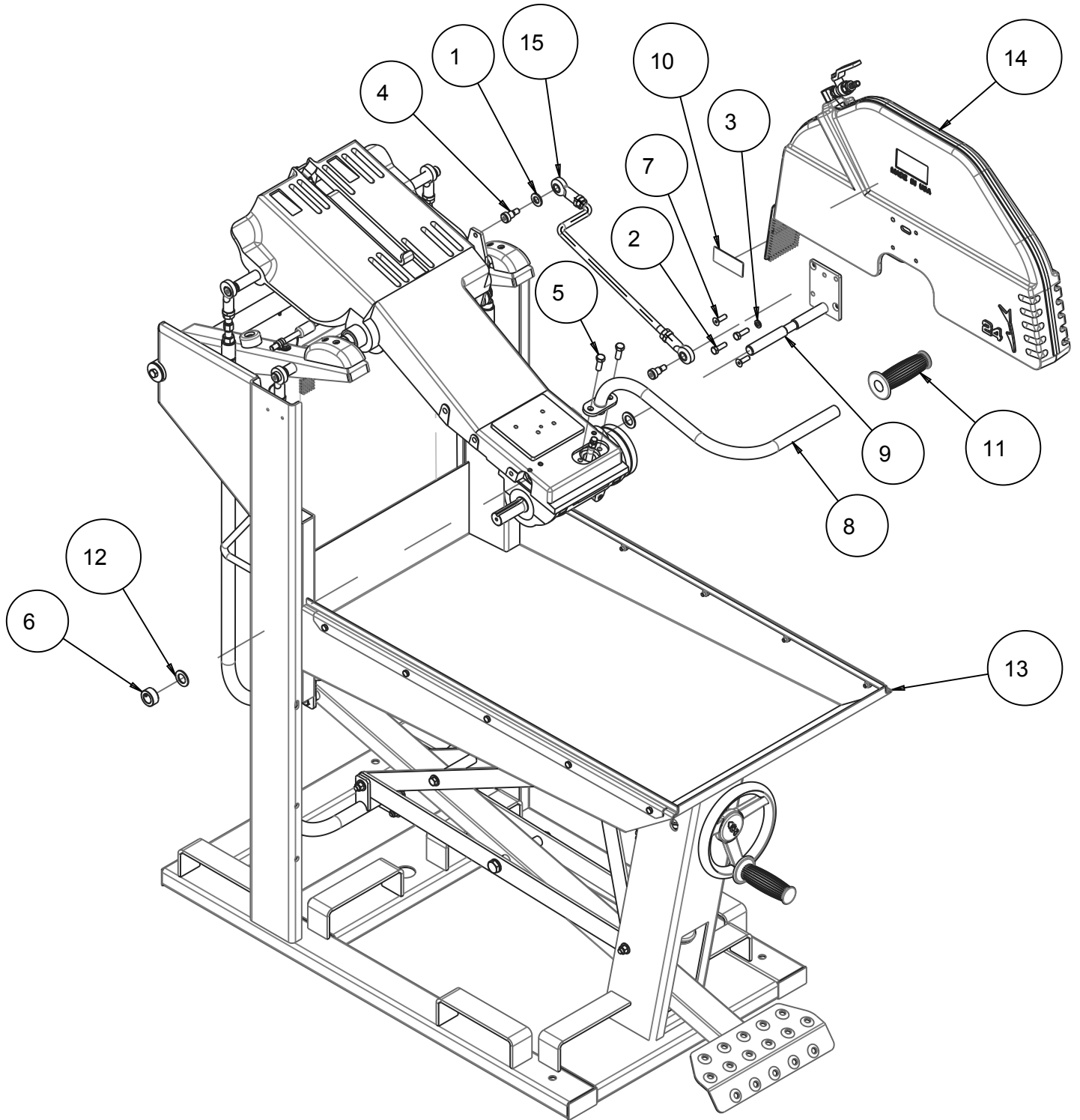
FIGURE 5 - MK-5000 BLOCK SAW 20IN BLADE GUARD P/N 172446-20



**FIGURE 5 - MK-5000 BLOCK SAW 20IN BLADE GUARD P/N 172446-20**

ITEM	DESCRIPTION	PART #	QTY
1	WASHER, 1/2 SAE FLAT	150924	1
2	SCREW, HEX HD, 5/16-18X1	151743	2
3	WASHER, LOCK, SPLIT, 5/16	151747	1
4	SCREW, SHOULDER, 1/2 X 1/2	151753	2
5	SCREW, HEX HD CAP, 3/8 -16 X 1	152507	2
6	COLLAR, SET, 3/4"	153814	1
7	SCREW, 5/16 - 18 X 1.0 FLAT HEAD SOCKET	155552	2
8	HANDLE, CUTTING HEAD MK5000 20"	155851	1
9	SHAFT, BLADE GUARD PIVOT	155886	1
10	TAG, SERIAL NUMBER, BLANK	157500-RW	1
11	GRIP, HANDLE 7/8 ID	158608	1
12	WASHER, FLAT, PLAS, .75 X 1.25 X .080	160827	2
13	ASSY, BASE, STD DTY PARENT	172446	1
14	ASSY, BLD GRD, 20"	172450	1
15	ASSY, ARM, FRONT	172538	1

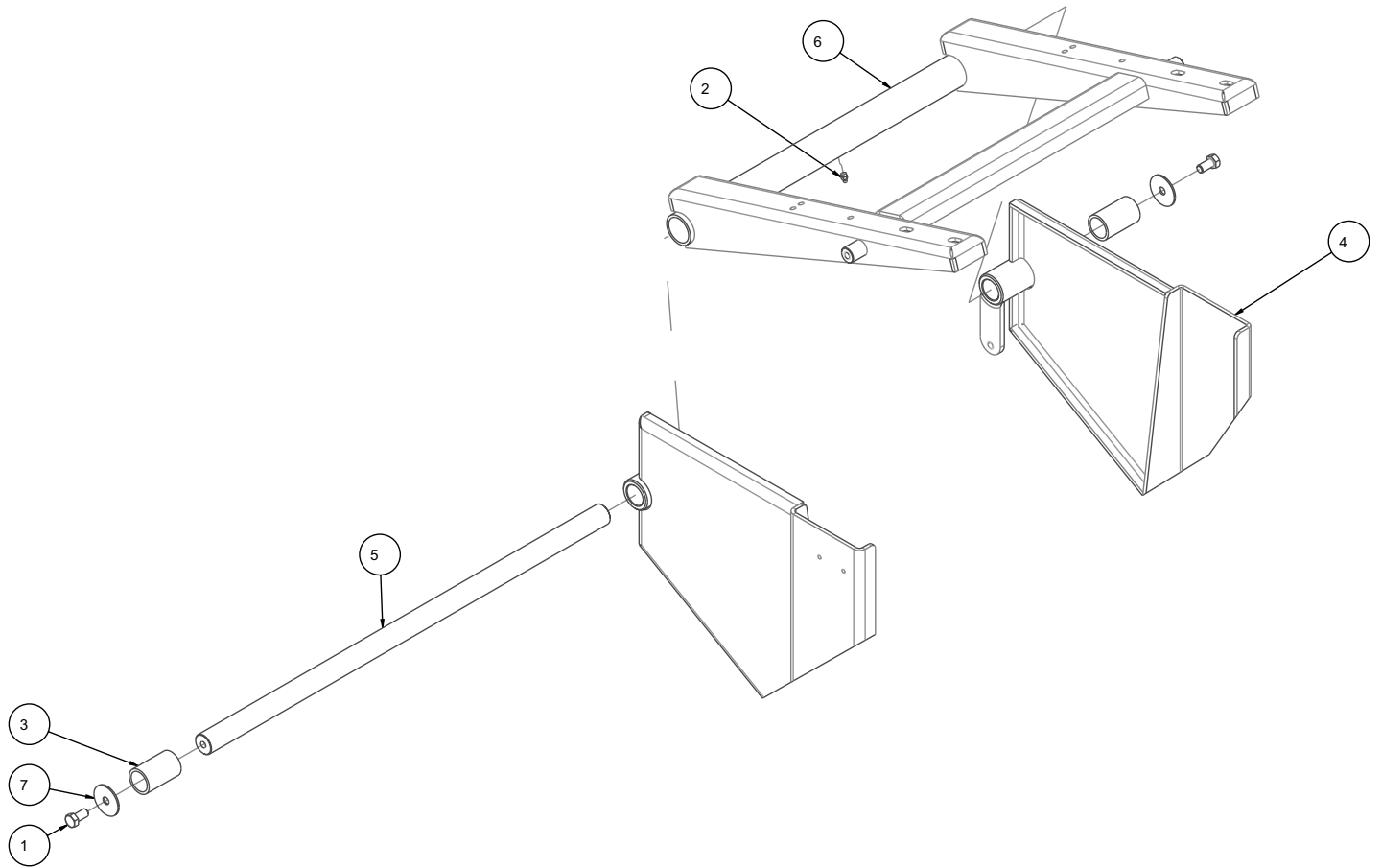
FIGURE 6 - MK-5000 BLOCK SAW 24IN BLADE GUARD P/N 172446-24



**FIGURE 6 - MK-5000 BLOCK SAW 24IN BLADE GUARD P/N 172446-24**

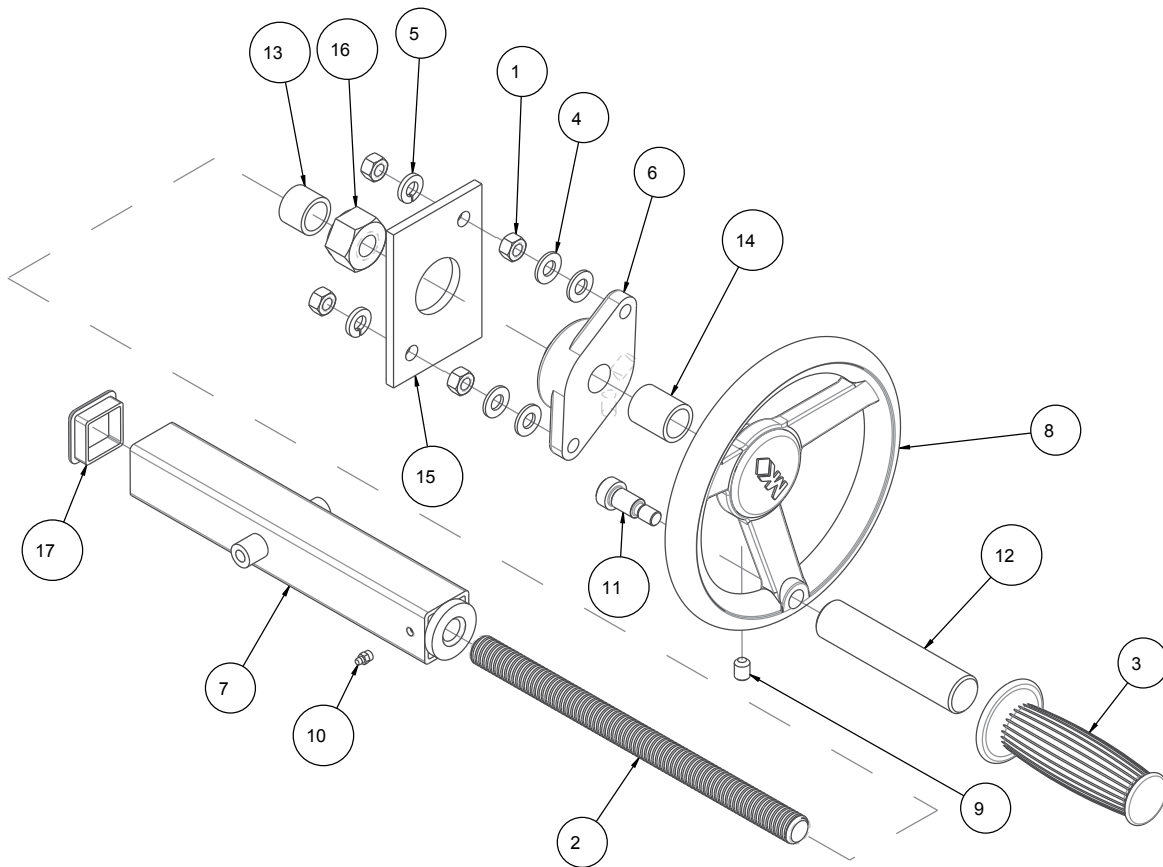
ITEM	DESCRIPTION	PART #	QTY
1	WASHER, 1/2 SAE FLAT	150924	1
2	SCREW, HEX HD, 5/16-18X1	151743	2
3	WASHER, LOCK, SPLIT, 5/16	151747	1
4	SCREW, SHOULDER, 1/2 X 1/2	151753	2
5	SCREW, HEX HD CAP, 3/8 -1 6 X 1	152507	2
6	COLLAR, SET, 3/4"	153814	1
7	SCREW, 5/16 - 18 X 1.0 FLAT HEAD SOCKET	155552	2
8	HANDLE, CUTTING HEAD MK5000 24"	155613	1
9	SHAFT, BLADE GUARD PIVOT	155886	1
10	TAG, SERIAL NUMBER, BLANK	157500-RW	1
11	GRIP, HANDLE 7/8 ID	158608	1
12	WASHER, FLAT, PLAS, .75 X 1.25 X .080	160827	2
13	ASSY, BASE, STD DTY PARENT	172446	1
14	ASSY, BLD GRD, 24"	172451	1
15	ASSY, ARM, FRONT	172538	1

FIGURE 7 - MK-5000 ASSY, BLOCK SAW ELEVATOR ARM P/N 154629



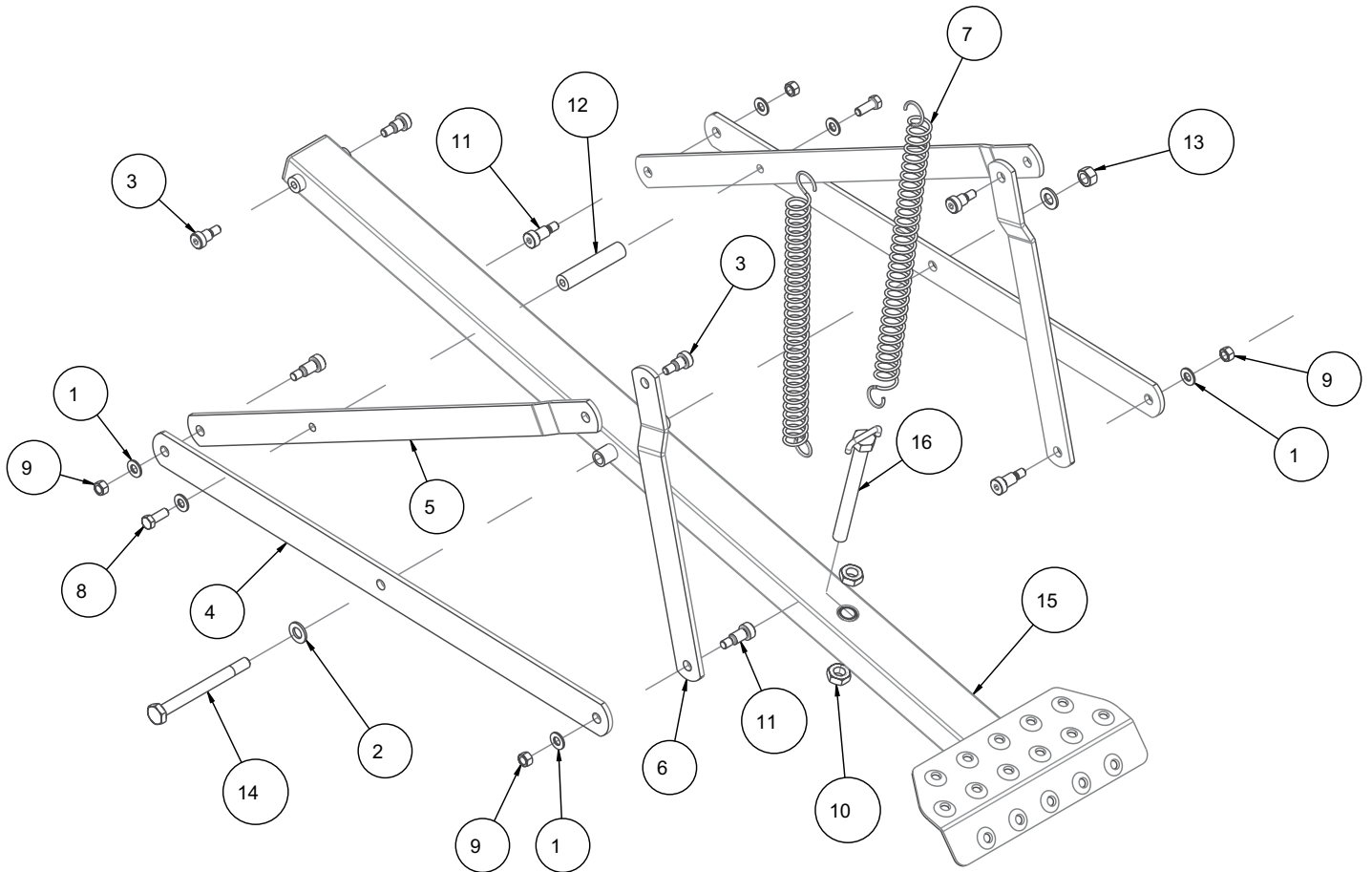
ITEM	DESCRIPTION	PART #	QTY
1	SCREW, HEX, 3/8 - 16 X 3/4	153527	2
2	FITTING, 1/4 - 28 GREASE	153852	1
3	BEARING, 1 X 1-1/4 X 2 MSI MK-5000	154571	2
4	WELDMENT, FRAME	155541	1
5	PIVOT SHAFT, ELEV. ARM	155880	1
6	WELDMENT, ELEVATION ARM MK5000	156285	1
7	WASHER, FENDER, 3/8 ID X 1-1/2 OD	158523	2

FIGURE 8 - MK-5000 ASSY, BLOCK SAW DEPTH CONTROL P/N 154629



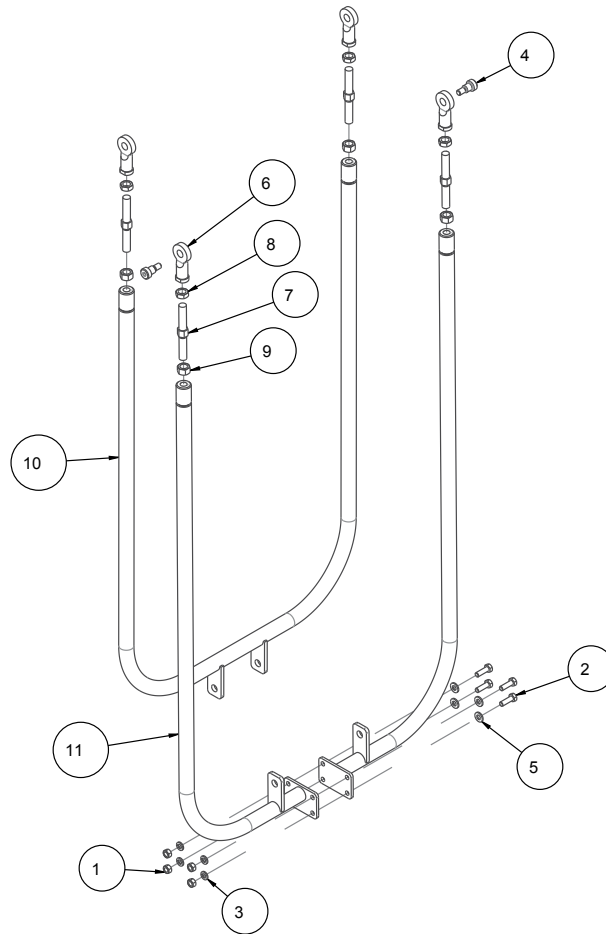
ITEM	DESCRIPTION	PART #	QTY
1	NUT, HEX, 3/8 - 16	101188	4
2	SCREW, 3/4-6 DEPTH CONTROL	150840	1
3	GRIP, HANDLE, 1.0 ID	150842	1
4	WASHER, FLAT, SAE, 3/8	150923	4
5	WASHER, LOCK, SPLIT, 3/8	150925	2
6	BEARING, 3/4 ID FLANGE (COMP)	152025	1
7	ADJ SHAFT TUBE	152116	1
8	CRANK WHEEL, 3/4-6-PLASTIC COMP	153646	1
9	SCREW, SET, SOC, CUPT, 3/8-16 X 1/2	153710	1
10	FITTING, 1/4-28 GREASE	153852	1
11	SCREW, SHLDR, SOC HD, 1/2 X 3/4	156177	1
12	HANDLE, CRANK WHEEL	156236	1
13	SPACER, ADJ. SHAFT	156249	1
14	SPACER, DEPTH FEED WHEEL	156250	1
15	SUPPORT PLATE, BEARING	156278	1
16	NUT, ACME, STANDARD 3/4-6	158227	1
17	PLUG, SQUARE, 1- 1/2-10-14	161165	1

FIGURE 9 - MK-5000 ASSY, BLOCK SAW FOOTPEDAL P/N 154629



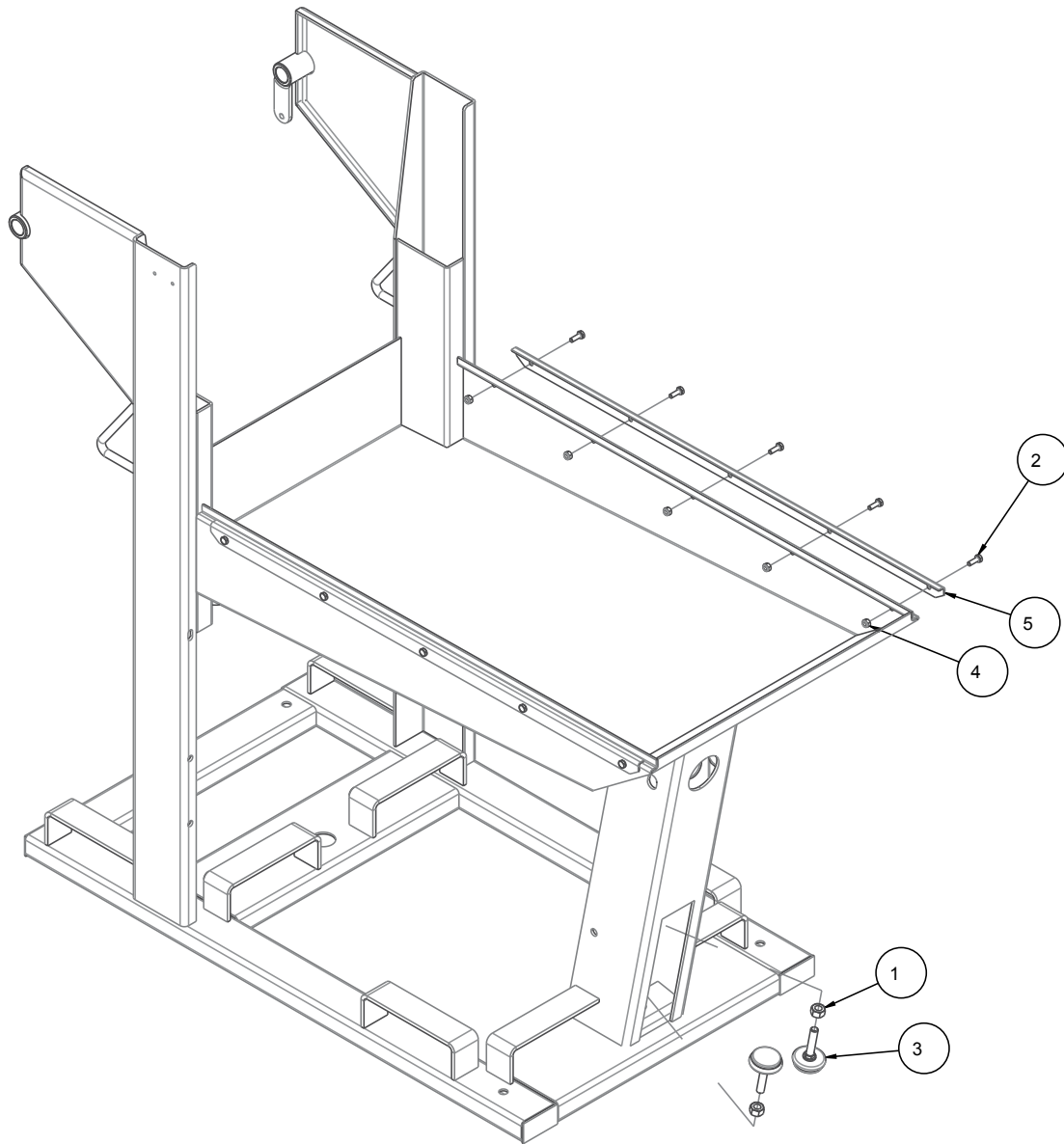
ITEM	DESCRIPTION	PART #	QTY
1	WASHER, FLAT, SAE, 3/8	150923	6
2	WASHER, 1/2 SAE FLAT	150924	2
3	SCREW, SHOULDER, 1/2 X 1/2	151753	4
4	LINKAGE, PEDAL HORIZONTAL	152112	2
5	LINKAGE, PEDAL DIAGONAL	152113	2
6	LINKAGE, PEDAL VERTICAL	152114	2
7	SPRING, FOOT PEDAL MK5000	152115	2
8	SCREW, HEX HD CAP, 3/8-16 X 1	152507	2
9	NUT, 3/816 HEX CENTERLOCK	153522	4
10	NUT, HEX AM 5/8-11 UNC	155603	2
11	SCREW, SHLDR, SOC HD, 1/2 X 3/4	156177	4
12	PEDAL, SHAFT TIE	156259	1
13	NUT, 1/2-13 CENTERLOCK HEX	156279	1
14	SCREW, HEX HD CAP 1/2-13 X 5-1/2	158526	1
15	PEDAL, FOOT & BAR	160139	1
16	HOOK BOLT, WELDMENT, ASSY	160141	1

FIGURE 10 - MK-5000 ASSY, BLOCK SAW LINKS P/N 154629



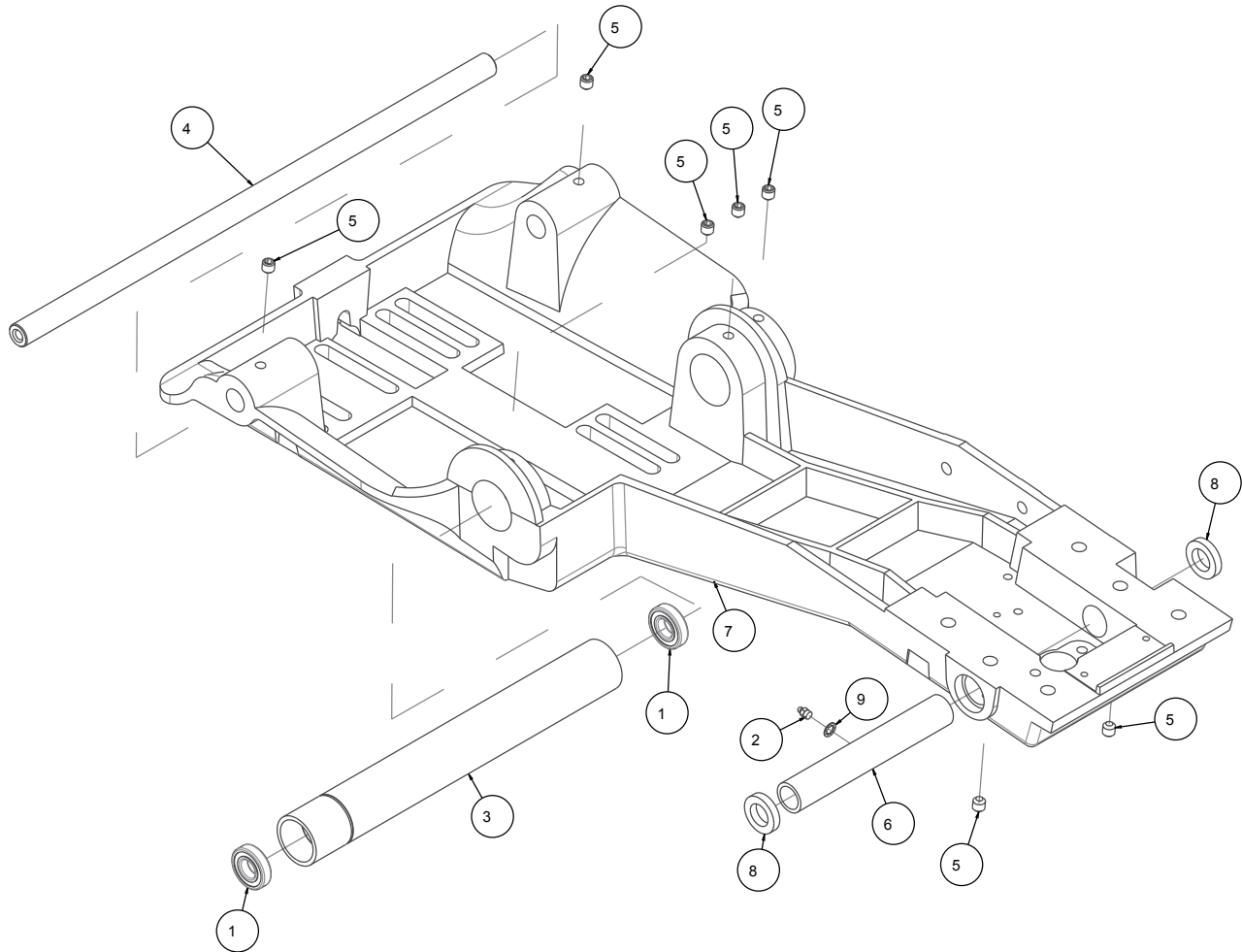
ITEM	DESCRIPTION	PART #	QTY
1	NUT, HEX, 5/16-18	101196	4
2	SCREW, HEX HD, 5/16-18X1	151743	4
3	WASHER, LOCK, SPLIT, 5/16	151747	4
4	SCREW, SHOULDER, 1/2 X 1/2	151753	2
5	WASHER, FLAT, SAE, 5/16	151754	4
6	JOINT, SPHERICAL FEM. 1/2-20RH	154387	4
7	SCREW, ADJUSTMENT	154433	4
8	NUT, JAM, 1/2-20	154460	4
9	JAM NUT 1/2-20 (LH)	154461	4
10	LINK, REAR CONNECTING	156252	1
11	LINK, FRONT CONNECTING	156253	2

FIGURE 11 - MK-5000 ASSY, BLOCK SAW FRAME RAILS P/N 154629



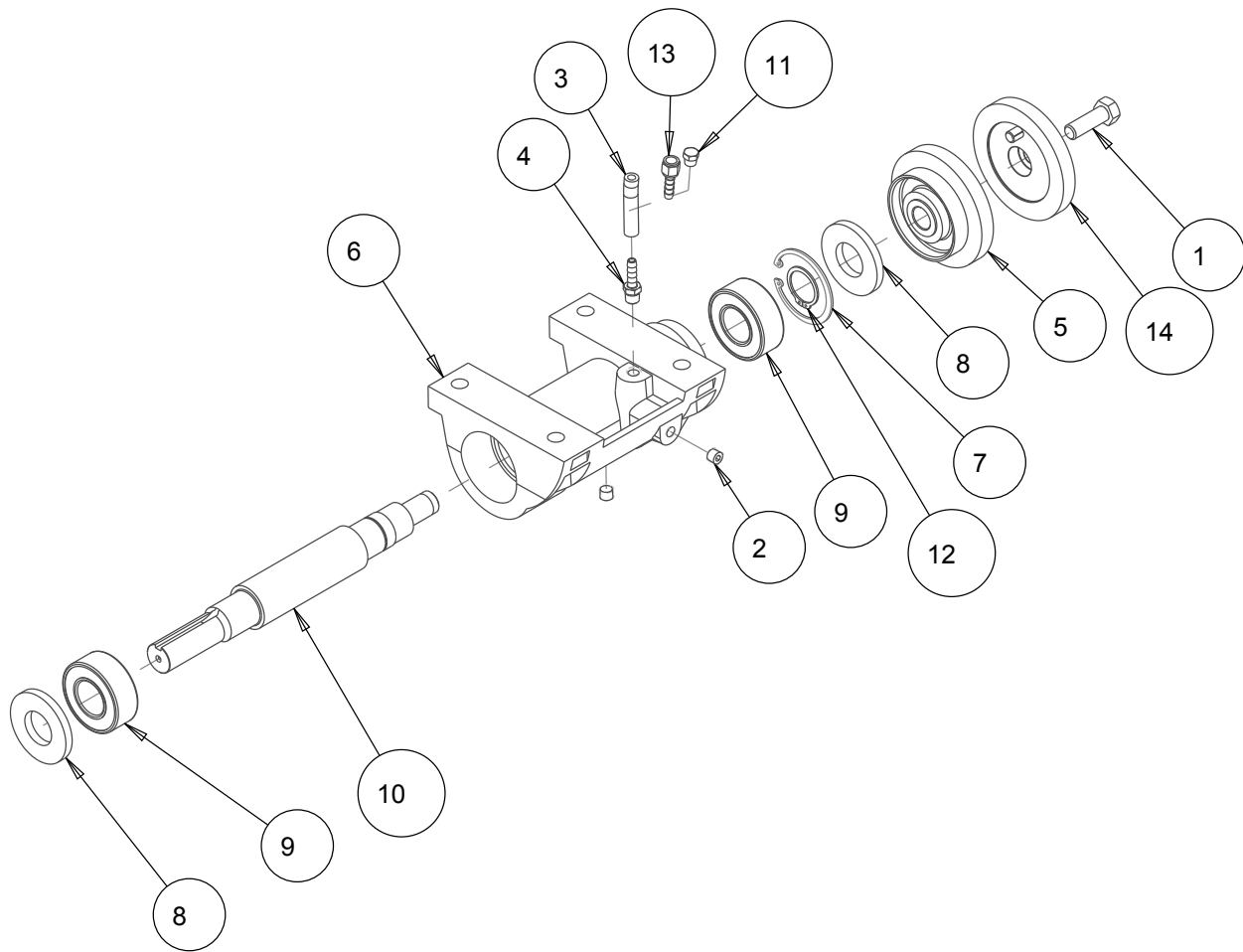
ITEM	DESCRIPTION	PART #	QTY
1	NUT, HEX, 1/2-13	151282	2
2	SCREW, HEX HD, 1/4-20 X 3/4	152370	10
3	BUMPER, 1-1/2 DIA. X 1/2 -13 X 3 STUD	158605	2
4	NUT, HEX, NYLK, 1/4 -20	159857	10
5	LINER, RAIL	166934	2

FIGURE 12 - ASSY, CUTTING HEAD P/N 162546



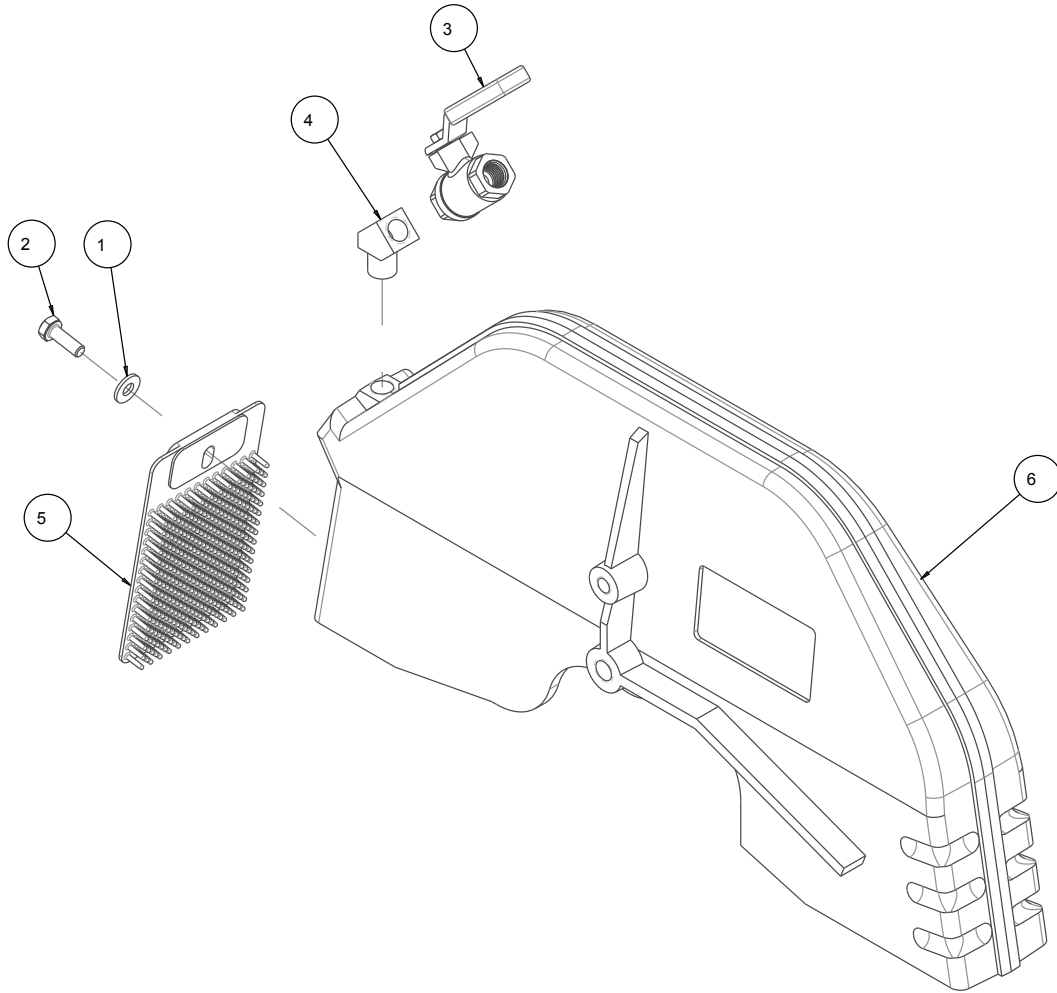
ITEM	DESCRIPTION	PART #	QTY
1	BEARING, CUTTING HD PIV	140004	2
2	FITTING, 1/4-28 GREASE	153852	1
3	HOUSING, PIVOT SHAFT	154827	1
4	SHAFT, DEPTH ADJUST	154932	1
5	SCREW, 3/8 -16 X 3/8 SOCKET HEAD SET, CUP POINT	160713	7
6	HOUSING, SHAFT, CUTTING HEAD	160830	1
7	CASING, CUT, HD, HVY DTY, COMP	160885	1
8	SEAL, 3/4 X 1-1/4 X 1/4	162489	2
9	WASHER, LOCK, IT, 1/4	162490	1

FIGURE 13 - MK-5000 ASSY, HD ARBOR P/N 170951



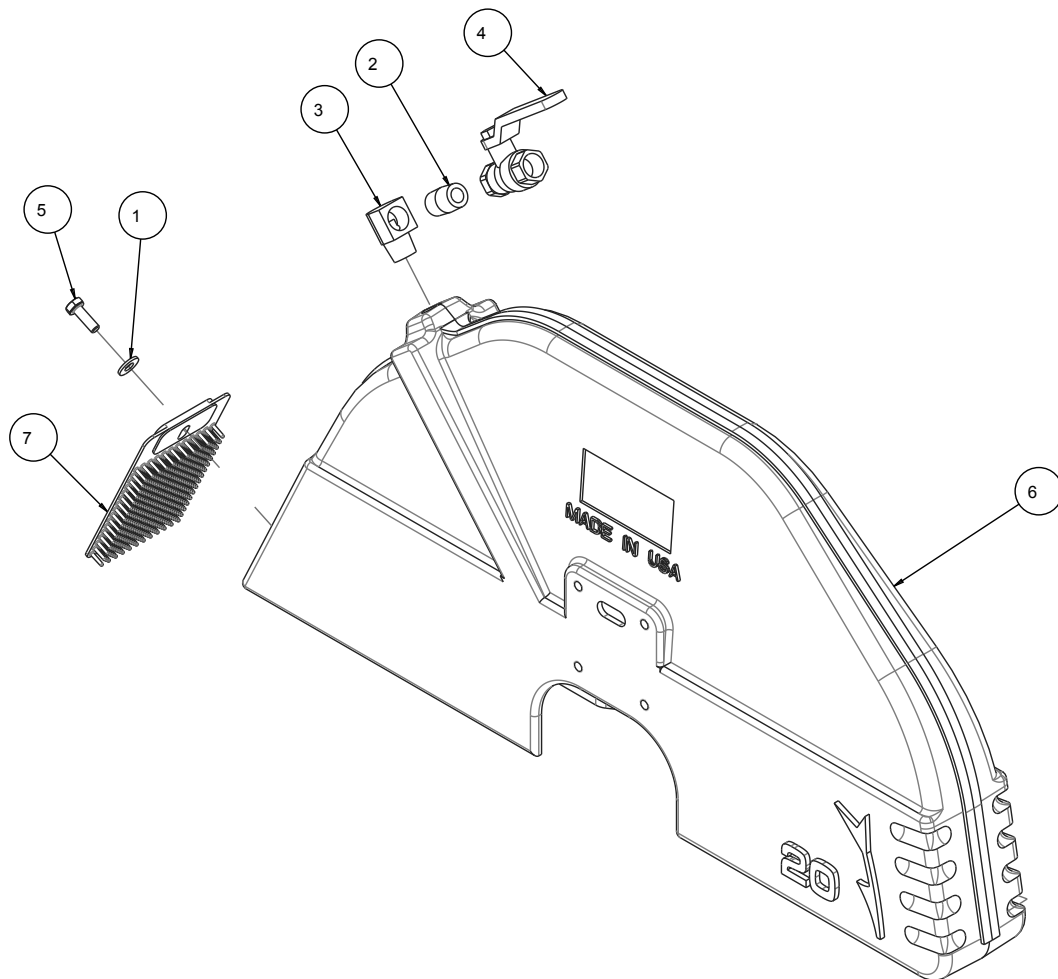
ITEM	DESCRIPTION	PART #	QTY
1	SCREW, HEX HD 1/2-20X1-1/4	152122	1
2	PLUG, 1/8NPT HEX SOCKET	152472	2
3	HOSE, 1/4 FUEL, 6"	154163	1
4	FITTING, 1/8 MNPT X 1/4 BARB	155809	1
5	FLANGE, INNER, MASONRY, 4"	161305	1
6	CASTING, SHAFT HOUSING - COMP	170944	1
7	RING, RET, INT, 65MM	170945	1
8	SEAL, OIL, 30MM X 62MM X 7MM	170946	2
9	BEARING, 30X62X23.8, D-ROW BALL	170947	2
10	SHAFT, HD ARBOR	170948	1
11	BREATHER, 1/8 FNPT	170949	1
12	RING, RET, EXT, 30MM	170950	1
13	FITTING, 1/8 FNPT X 1/4 BARB	171019	1
14	ASSY, FLANGE, OUTER, 4: MASONRY	171252	1

FIGURE 14 - MK-5000 ASSY, BLADE GUARD 14" P/N 172449



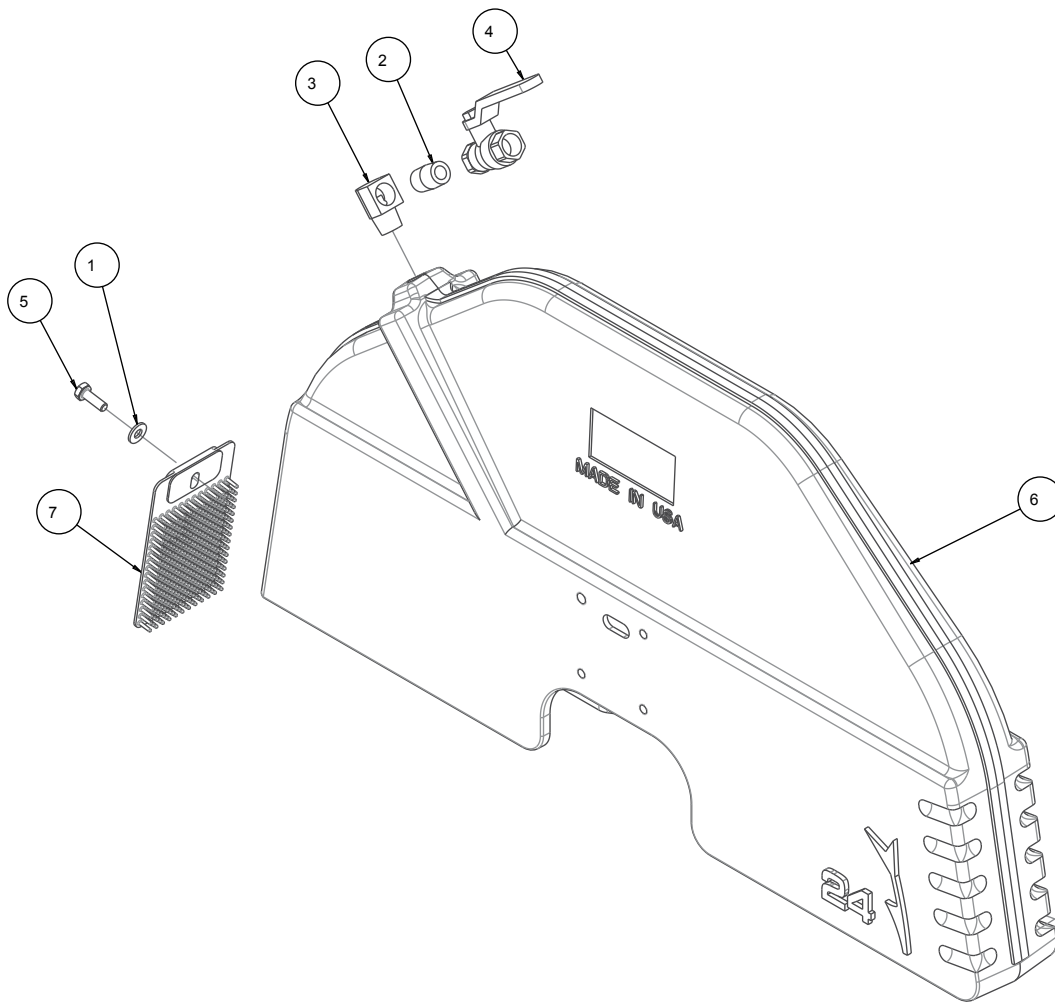
ITEM	DESCRIPTION	PART #	QTY
1	WASHER, FLAT, SAE, 1/4	151915	1
2	SCREW, HEX HD, 1/4-20 X 3/4	152370	1
3	VALVE, FEMALE BALL 1/4" PIPE	152597	1
4	ELBOW, 1/4 NPT X 45 STREET	153869	1
5	GUARD, SPLASH	160310	1
6	CASTING, 5000, BLD GRD, 14"-COMP	164735	1

FIGURE 15 - MK-5000 ASSY, BLADE GUARD 20" P/N 172450



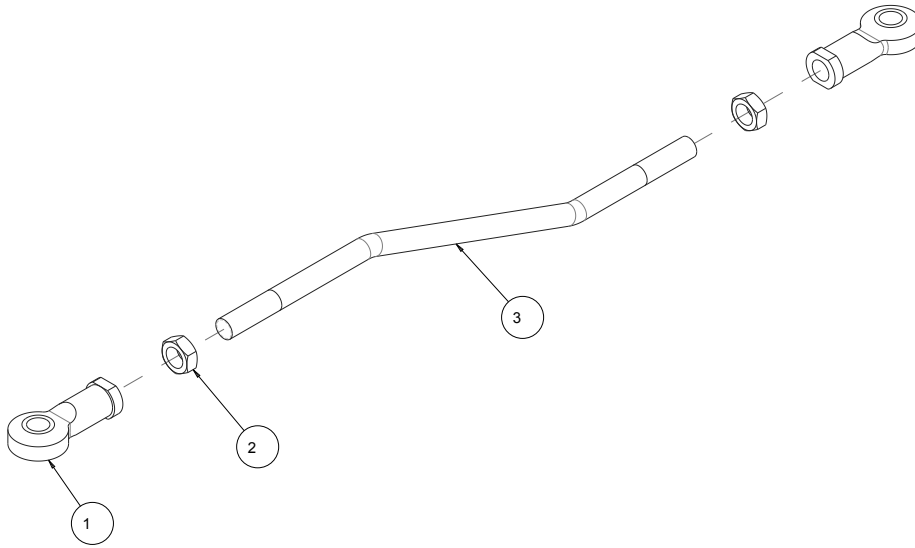
ITEM	DESCRIPTION	PART #	QTY
1	WASHER, FLAT, SAE, 1/4	151915	1
2	NIPPLE, 3/8 MNPT X CLOSE	152073	1
3	ELBOW, STREET, 3/8 NPT X 90, BRASS	152074	1
4	VALVE, BALL 3/8"	152075	1
5	SCREW, HEX HD, 1/4-20X3/4	152370	1
6	CASTING, BLD GRD 20" COMP	159674	1
7	GUARD, SPLASH	160310	1

FIGURE 16 - MK-5000 ASSY, BLADE GUARD 24" P/N 172451



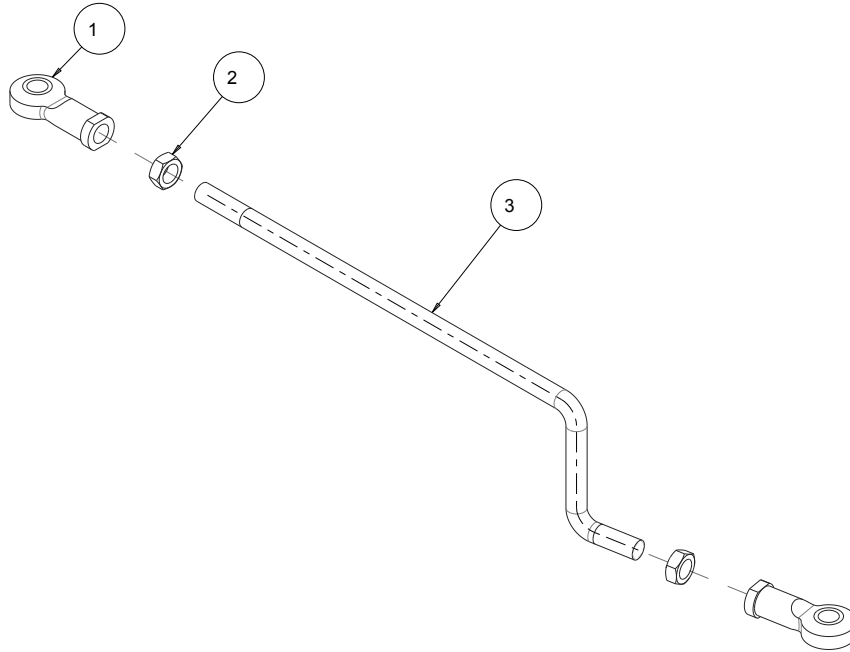
ITEM	DESCRIPTION	PART #	QTY
1	WASHER, FLAT, SAE, 1/4	151915	1
2	NIPPLE, 3/8 MNPT X CLOSE	152073	1
3	ELBOW, STREET, 3/8 NPT X 90, BRASS	152074	1
4	VALVE, BALL 3/8"	152075	1
5	SCREW, HEX HD, 1/4-20X3/4	152370	1
6	CASTING, BLD GRD 24" COMP	159324	1
7	GUARD, SPLASH	160310	1

FIGURE 17 - MK-5000 ASSY, ARM, REAR P/N 172537



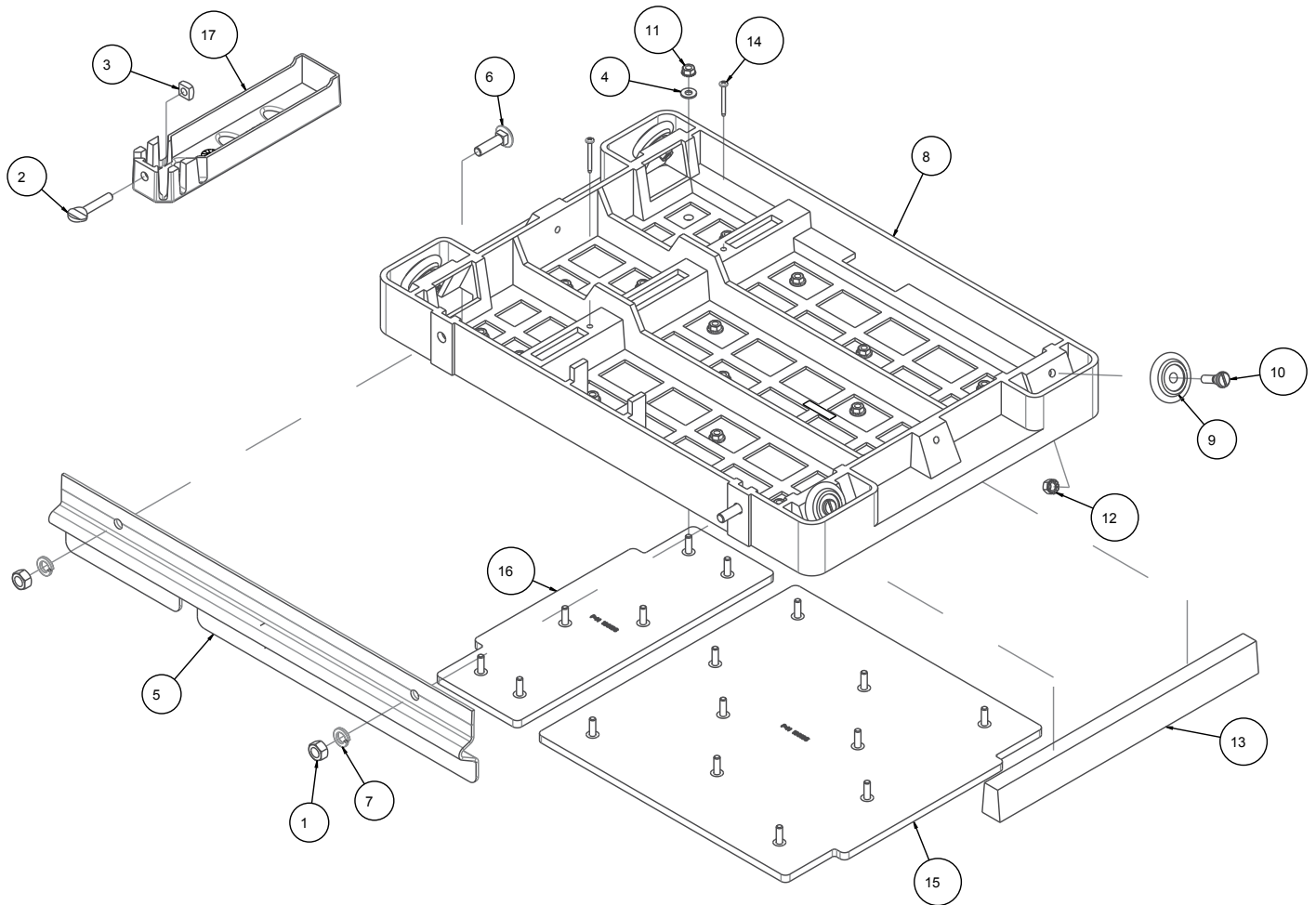
ITEM	DESCRIPTION	PART #	QTY
1	JOINT, SPHERICAL FEM. 1/2-20RH	154387	2
2	NUT, JAM, 1/2-20	154460	2
3	ARM, REAR CONNECTING	158563	1

FIGURE 18 - MK-5000 ASSY, ARM, FRONT P/N 172538



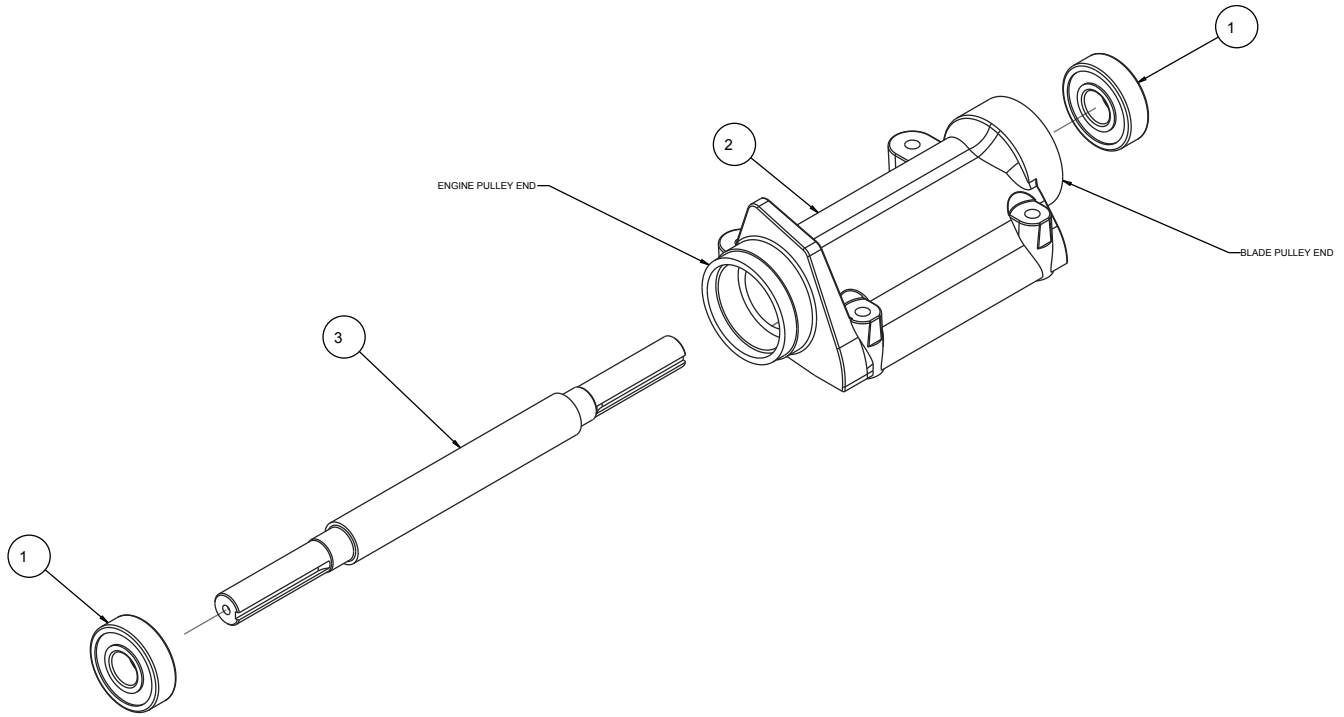
ITEM	DESCRIPTION	PART #	QTY
1	JOINT, SPHERICAL FEM. 1/2-20RH	154387	2
2	NUT, JAM, 1/2-20	154460	2
3	LINK ROD, BLADE GUARD	158564	1

FIGURE 19 - MK-5000 ASSY, TABLE P/N 152124



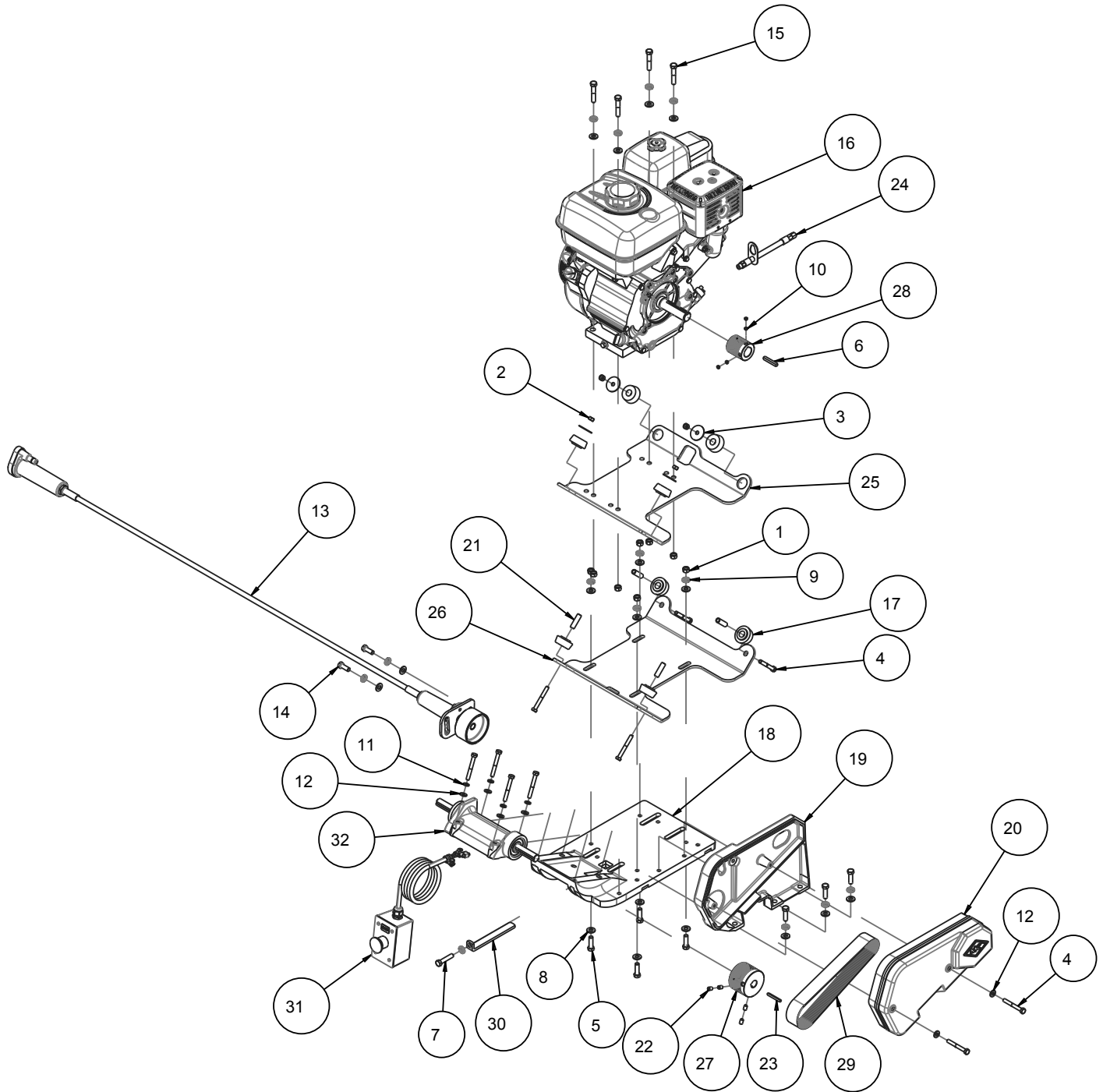
ITEM	DESCRIPTION	PART #	QTY
1	NUT, HEX 7/16-14	150922	2
2	SCREW, THUMB 5/16-18X1-1/2	151155	1
3	NUT, SQUARE 5/16-18	151156	1
4	WASHER, FLAT, SAE, 1/4	151915	16
5	RULE, FRONT, STOP	152126	1
6	BOLT, CARR. 7/16 - 14 X 1-1/4	152423	2
7	WASHER, LOCK, SPLIT 7/16	152424	2
8	CASTING, 5000, TABLE INSERT	152455	1
9	WHEEL, ROLLER MK5000, MK1080	152493	4
10	STUD, ROLLER WHEEL	152494	4
11	NUT, HEX, TW, 1/4-20	153941	16
12	NUT, HEX, TW, 5/16-18	153942	4
13	WOOD STRIP, TABLE INSERT	157748	1
14	SCREW, #8 X 1-1/2 FLAT HD PHIL	158157	2
15	MAT, MK-5000 TABLE-LG	160165	1
16	MAT, MK-5000 TABLE-SM	160166	1
17	CASTING, SQUARING ARM-COMP	231276	1

FIGURE 20 - MK-5000 ASSY, JACK SHAFT P/N 166045



ITEM	DESCRIPTION	PART #	QTY
1	BEARING, ARBOR HOUSING	154594	2
2	CASTING, 2000/5000 ARBOR - COMP	154637	1
3	SHAFT, JACK	156117	1

FIGURE 21 - MK-5000 ASSY, ENGINE, HONDA, GX270 W/CYC 20/24" P/N 172545

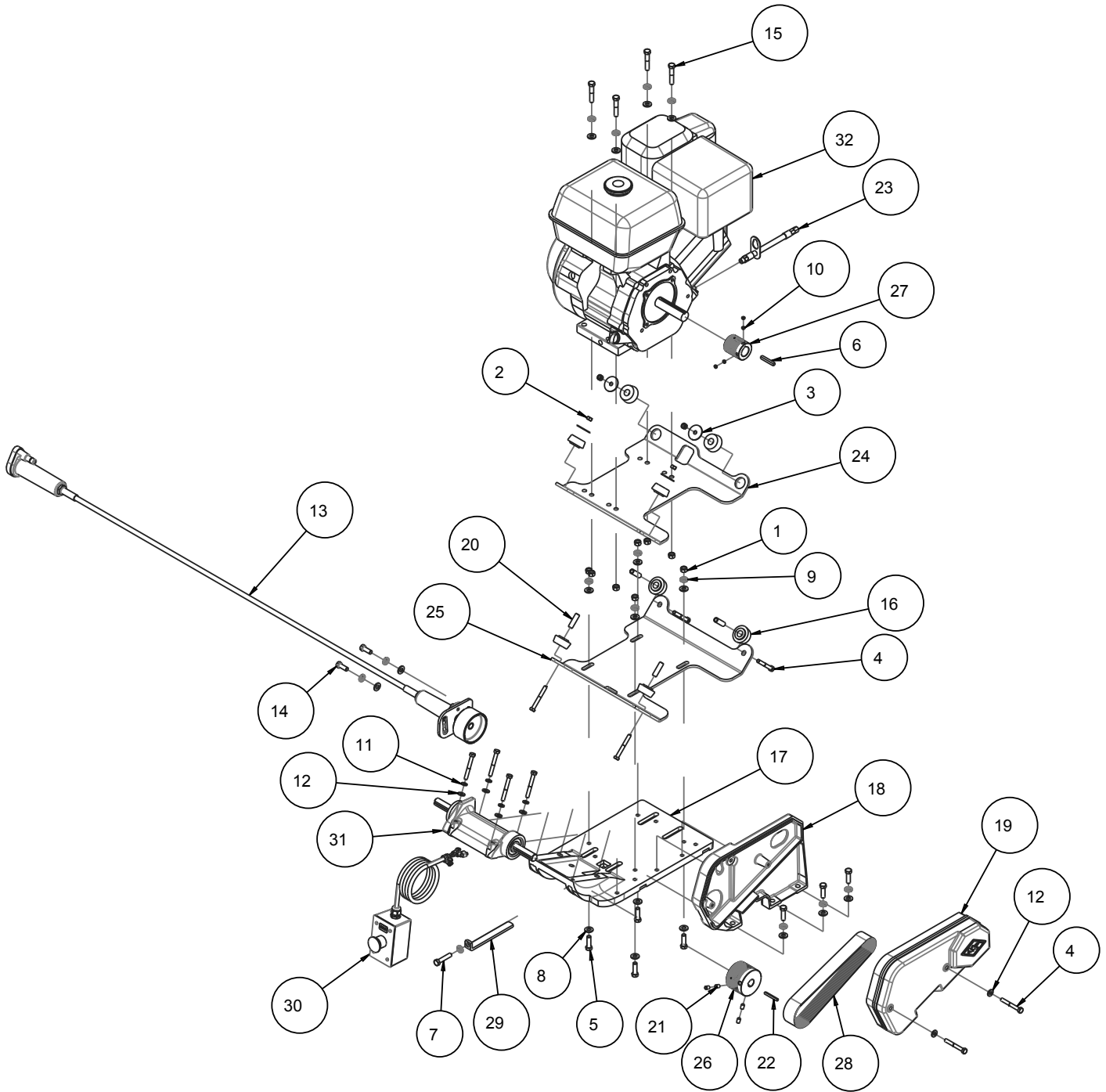


<b>BOM SUBSTITUTION TABLE</b>		<b>MOTOR PULLEY</b>
<b>PART NO.</b>	<b>DESCRIPTION</b>	
172545-14	ASSY, ENGINE, HONDA GX270 W/CYC, 14"	160365
		158470

FIGURE 21 - MK-5000 ASSY, ENGINE, HONDA, GX270 W/CYC 20/24" P/N 172545

ITEM	DESCRIPTION	PART #	QTY
1	NUT, HEX 3/8-16	101188	8
2	NUT, HEX, 5/16-18	101196	4
3	WASHER, FENDER, 5/16X1-1/2	101527	4
4	SCREW, HEX HD 5/16-18X2-1/2	101675	10
5	SCREW, 3/8-16 X 1-1/4 HEX HEAD CAP	150774	7
6	KEY, 1/4 SQR X 1-3/4	150796	1
7	SCREW, HEX HD, 3/8-16 X 1-3/4	150920	1
8	WASHER, FLAT, SAE, 3/8	150923	17
9	WASHER, LOCK, SPLIT, 3/8	150925	14
10	SCREW, SET, CUP PT, 5/16-18X3/16	151167	4
11	WASHER, LOCK, SPLIT, 5/16	151747	4
12	WASHER, FLAT SAE, 5/16	151754	6
13	ASSY, PUMP, WATER, 5000 GAS	152355	1
14	SCREW, HEX HD CAP, 3/8-16 X 1	152507	2
15	SCREW, HEX HD, CAP, 3/8-16X2	153485	4
16	ENGINE, HONDA GX270	155396	1
17	MOUNT, SHOCK MK-5000	156105	8
18	CASTING, HONDA ENGINE MT-COMP	156140	1
19	GUARD, BELT, INNER, ENGINE-COMP	156148	1
20	GUARD, BELT, OUTER, ENGINE-COMP	156149	1
21	STAND OFF, SHOCK MOUNT	156560	4
22	SCREW, 5/16-18 X 3/8 SOCKET HEAD SET	157084	4
23	KEY, 3/16 X 3/16 X 1-3/4	157561	1
24	HOSE, OIL DRAIN, M12	157577-02	1
25	MOUNT, ENGINE UPPER, MK-5000	158737	1
26	MOUNT, ENGINE LOWER	158738	1
27	PULLEY, 16J28 X .75 BORE	160362	1
28	PULLEY, 16J18 X 1.0 BORE	160365	1
29	BELT, 16J270	160366	1
30	BELT, TENSIONER	160432	1
31	ASSEMBLY, SWITCH, GAS	162537	1
32	ASSY, JACK SHAFT	166045	1

FIGURE 22 - MK-5000 ASSY, ENGINE, HONDA, GX390 W/CYC 20/24" P/N 172547

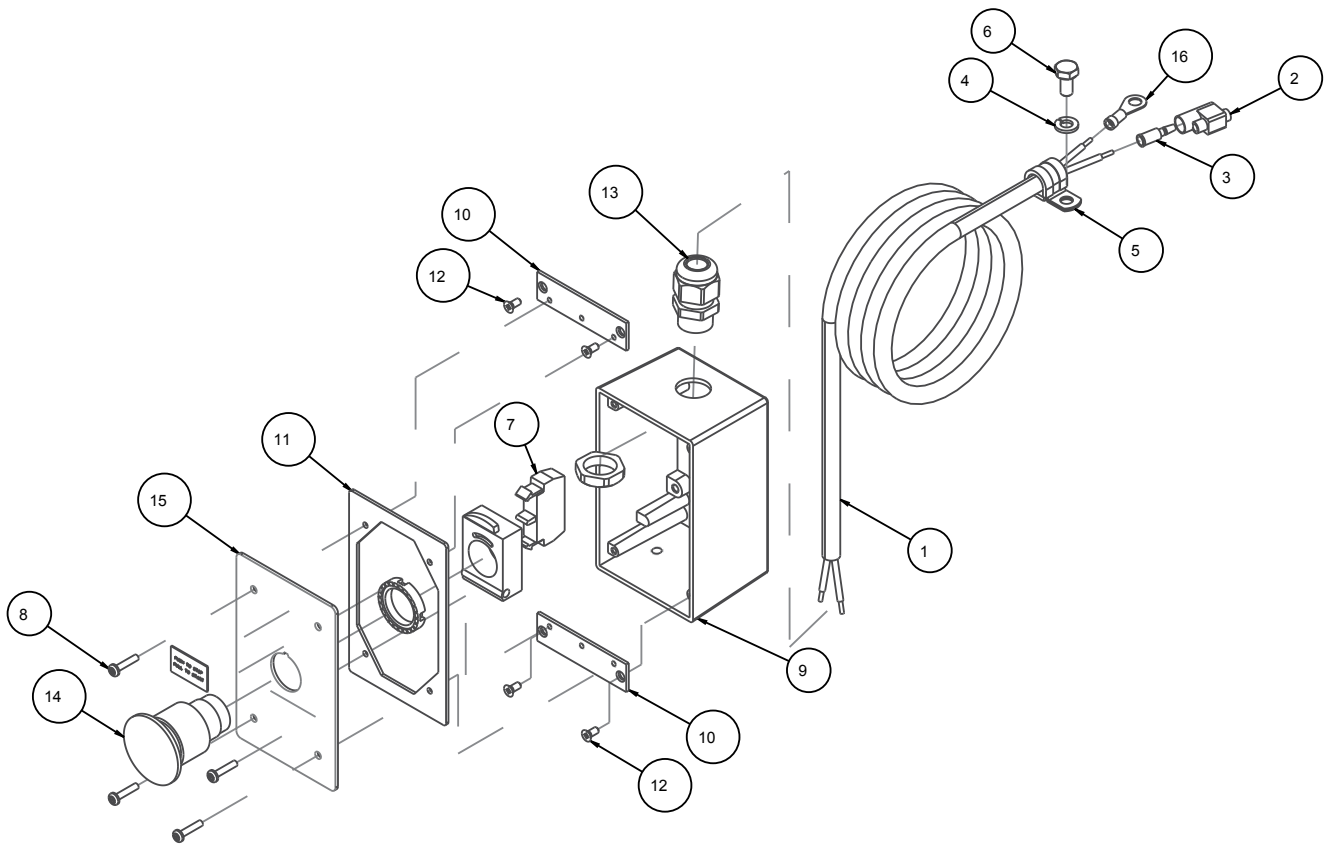


<b>BOM SUBSTITUTION TABLE</b>		<b>MOTOR PULLEY</b>
<b>PART NO.</b>	<b>DESCRIPTION</b>	<b>160365</b>
172547-14	ASSY, ENGINE, HONDA GX390 W/CYC, 14"	158470

FIGURE 22 - MK-5000 ASSY, ENGINE, HONDA, GX390 W/CYC 20/24" P/N 172547

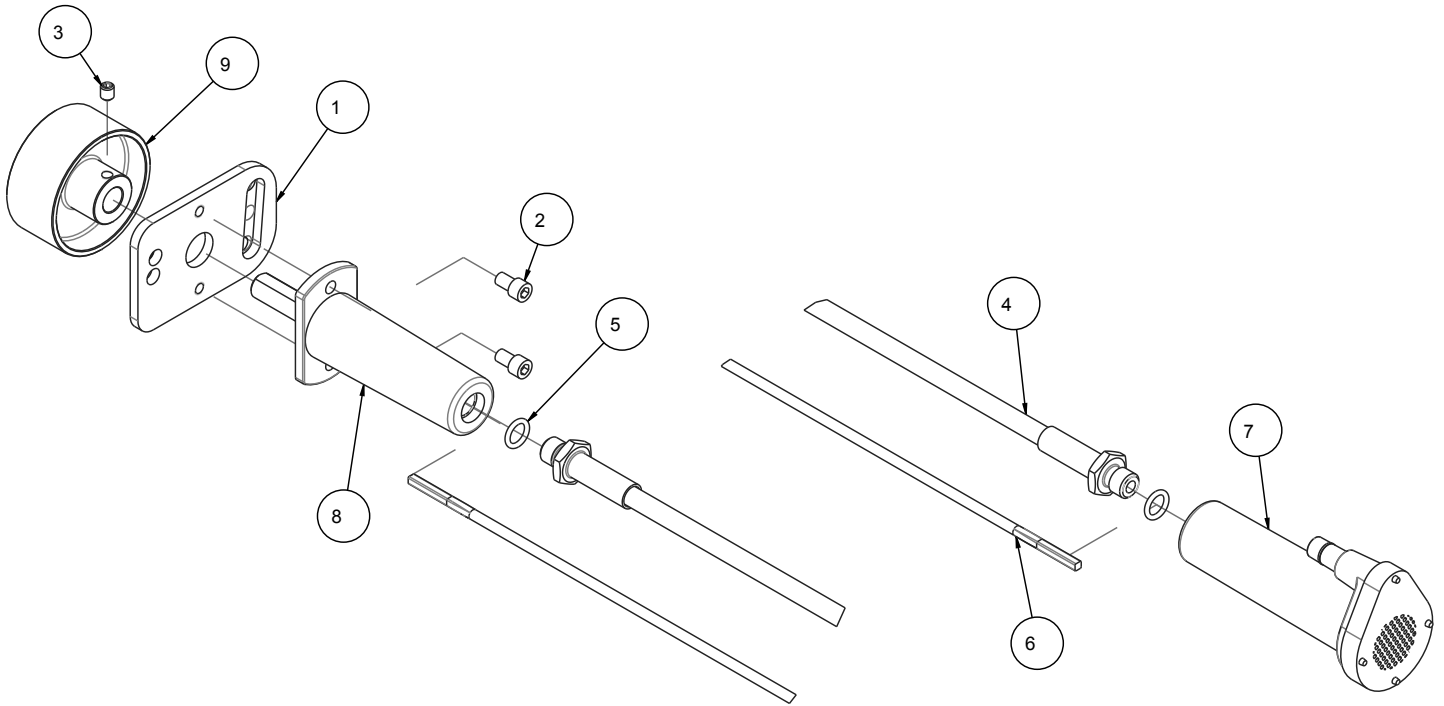
ITEM	DESCRIPTION	PART #	QTY
1	NUT, HEX 3/8-16	101188	8
2	NUT, HEX, 5/16-18	101196	4
3	WASHER, FENDER, 5/16X1-1/2	101527	4
4	SCREW, HEX HD 5/16-18X2-1/2	101675	10
5	SCREW, 3/8-16 X 1-1/4 HEX HEAD CAP	150774	7
6	KEY, 1/4 SQR X 1-3/4	150796	1
7	SCREW, HEX HD, 3/8-16 X 1-3/4	150920	1
8	WASHER, FLAT, SAE, 3/8	150923	17
9	WASHER, LOCK, SPLIT, 3/8	150925	14
10	SCREW, SET, CUP PT, 5/16-18X3/16	151167	4
11	WASHER, LOCK, SPLIT, 5/16	151747	4
12	WASHER, FLAT SAE, 5/16	151754	6
13	ASSY, PUMP, WATER, 5000 GAS	152355	1
14	SCREW, HEX HD CAP, 3/8-16 X 1	152507	2
15	SCREW, HEX HD, CAP, 3/8-16X2	153485	4
16	MOUNT, SHOCK MK-5000	156105	8
17	CASTING, HONDA ENGINE MT-COMP	156140	1
18	GUARD, BELT, INNER, ENGINE-COMP	156148	1
19	GUARD, BELT, OUTER, ENGINE-COMP	156149	1
20	STAND OFF, SHOCK MOUNT	156560	4
21	SCREW, 5/16-18 X 3/8 SOCKET HEAD SET	157084	4
22	KEY, 3/16 X 3/16 X 1-3/4	157561	1
23	HOSE, OIL DRAIN, M12	157577-02	1
24	MOUNT, ENGINE UPPER, MK-5000	158737	1
25	MOUNT, ENGINE LOWER	158738	1
26	PULLEY, 16J28 X .75 BORE	160362	1
27	PULLEY, 16J18 X 1.0 BORE	160365	1
28	BELT, 16J270	160366	1
29	BELT, TENSIONER	160432	1
30	ASSEMBLY, SWITCH, GAS	162537	1
31	ASSY, JACK SHAFT	166045	1
32	ENGINE, HONDA GX390 W/CYC	169260	1

FIGURE 23 - MK-5000 ASSY, SWITCH, GAS P/N 162537



ITEM	DESCRIPTION	PART #	QTY
1	CORD, ELEC, SO 16/2	152422	1
2	CONNECTOR, BULLET RECEPTACLE	152425	1
3	TERMINAL, 16-14 X .156 BLLLT M PI	152426	1
4	WASHER, LOCK, SPLIT, 1/4	152591	1
5	CLAMP, CUSHION LOOP 3/8	152592	1
6	SCREW, 1/4-20 X 1/2 HEX HEAD	152608	1
7	CONTACTS, NO	156202	1
8	SCRW, PAN HD, PHIL 6-32 X 5/8	157393	4
9	BOX, SWITCH, 30 AMP, COMP	159487	1
10	PLATE, MOUNTING, SWITCH	159489	2
11	GASKET, COVER, 30AMP SWITCH	159491	1
12	SCREW, FLAT HD PHIL 6-32 X 5/16	159493	4
13	CONNECTOR, CORD, LTF11	159582	1
14	ASSY, SWITCH BUTTON, GAS	162080	1
15	COVER, SWITCH, STOP, GAS	162081	1
16	TERMINAL, 16-14 X 1/4 RING PI	162538	1

FIGURE 24 - MK-5000 ASSY, PUMP, WATER, 5000 GAS P/N 152355



ITEM	DESCRIPTION	PART #	QTY
1	MOUNT, WATER PUMP MK5000/2000	156108	1
2	SCREW, SOC HD, CUP, 5/16-18 X 1/2	156139	2
3	SCREW, SET, KNR CUP, 5/16 -18 X 3/8	157083	1
4	ASSY, HOUSING, 51" FLEX SHAFT	159694	1
5	O-RING, WATER PUMP MK-5000	160175	2
6	SHAFT, FLEX, 53-3/4"L-1/4 DIA	160176	1
7	ASSY, SUB, WATER PUMP	160185	1
8	ASSY, DRIVER, CENTRIFUGAL WATER	160186	1
9	PULLEY, FLAT, 3.0 X 1.5 X 5/8 BORE	160632	1