

REVISED STARTING SERIAL# 1139

PARTS LIST MANUAL

MODEL CPU12-35W



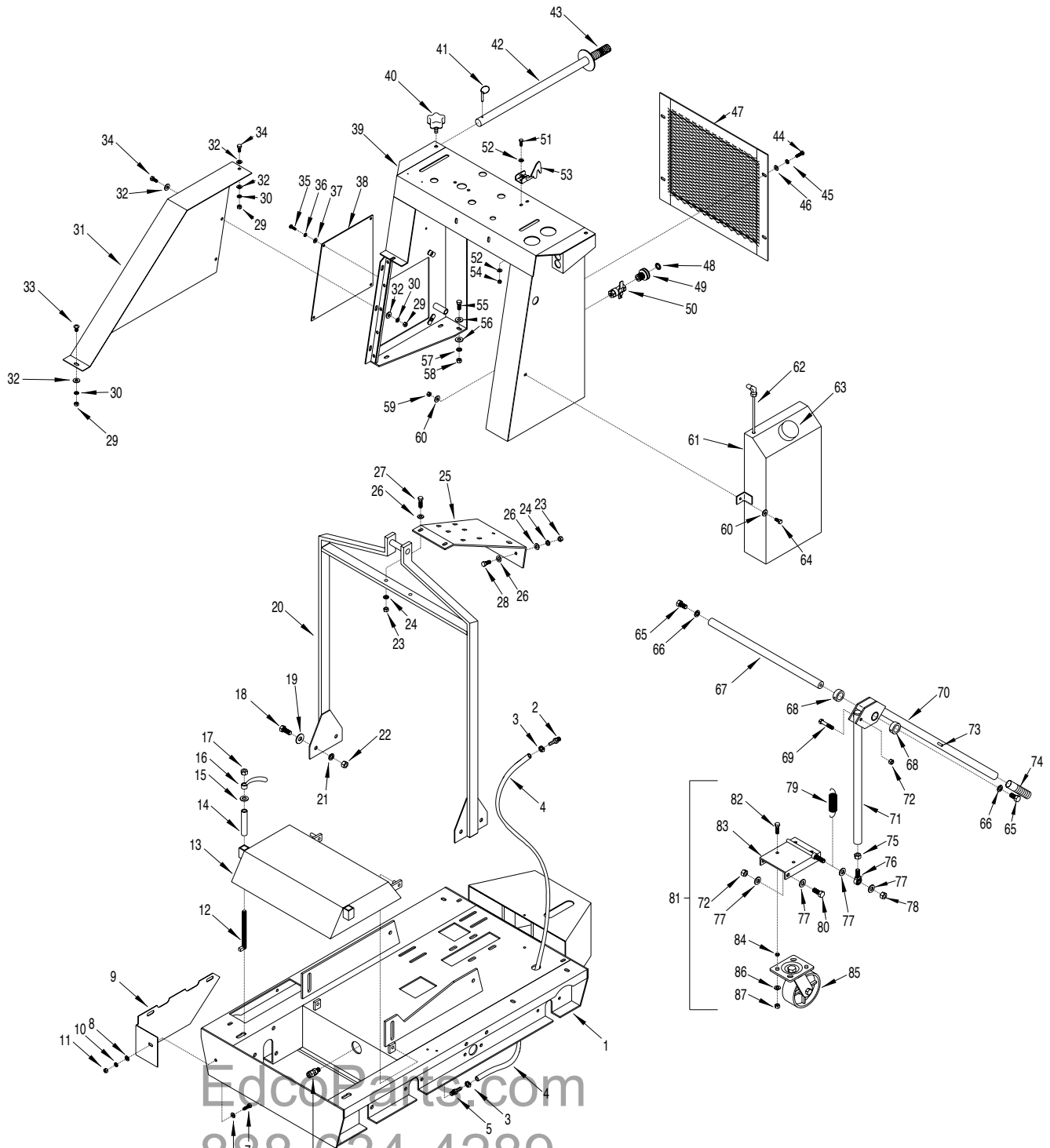
Concrete/Asphalt Scarifier

EdcoParts.com
Part No. 75700

888-634-4289

An iBuy Stores Company

ILLUSTRATION #1: MAIN FRAME GROUPING



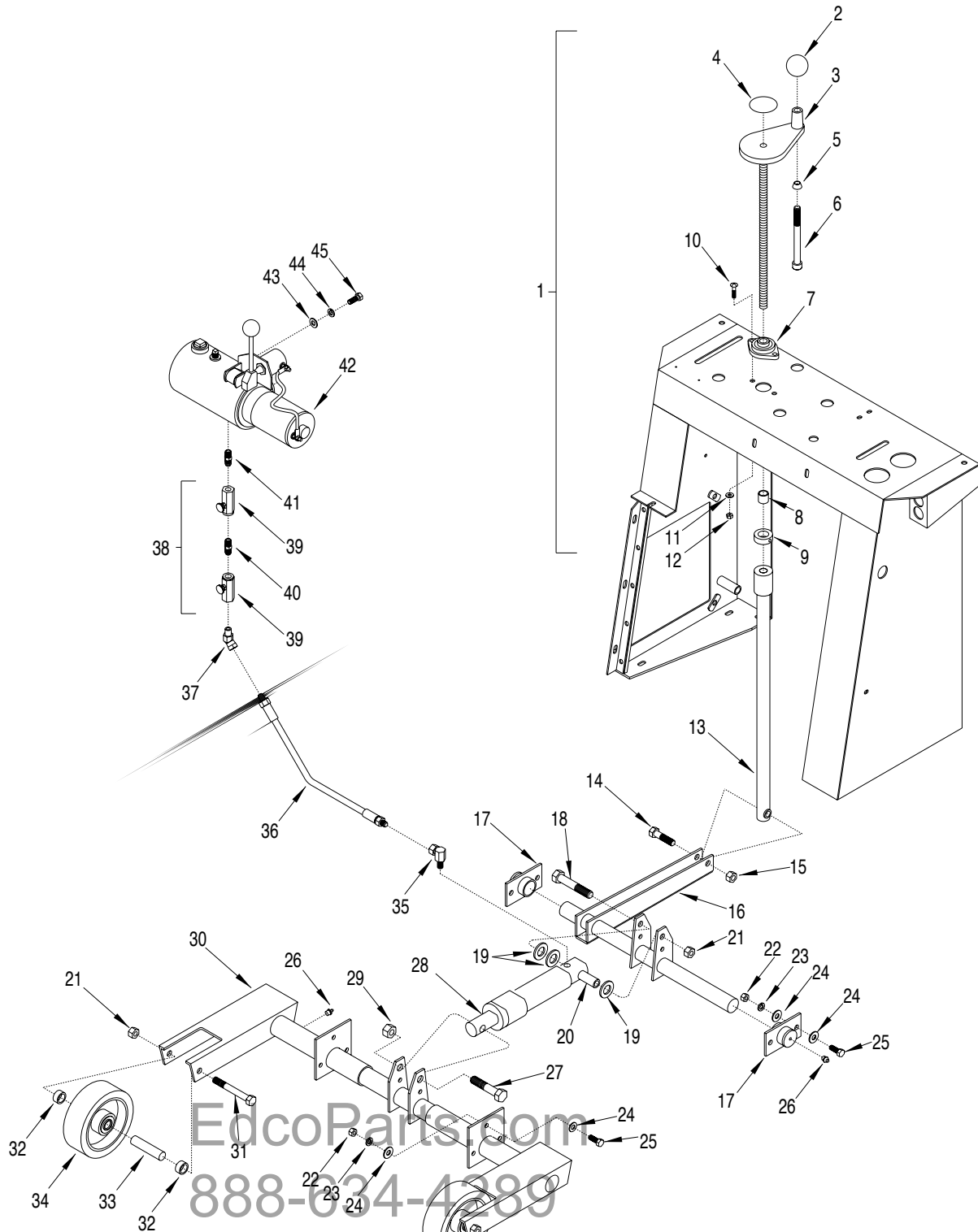
EdcoParts.com
888-634-4289

An iBuy Stores Company

PARTS LISTING - ILLUSTRATION #1 :MAIN FRAME GROUPING

ITEM#	PART#	DESCRIPTION	QTY.	ITEM#	PART#	DESCRIPTION	QTY.
1	61213	MAIN FRAME	1	45	10801	WASHER, LOCK 5/16	4
2	50077	BARB, HOSE, 3/8 HOSE x 1/2 MPT	1	46	10213	WASHER, FLAT 5/16	4
3	50069	CLAMP, HOSE, SIZE M6 ADJ. TO 13/16"	2	47	61305	GRILL, REAR	1
4	61220	HOSE, 3/8 ID x 40-1/2" LONG	1	48	10070	WASHER, HOSE 3/4"	1
5	50075	BARB, HOSE, 3/8 HOSE x 1/4 MPT	1	49	80021	CONNECTOR, FEMALE 3/4 NH x 1/2 MPT	1
6	80029	NOZZLE, SPRAY 1/4 NPT (BRASS)	1	50	10711	VALVE, BALL 1/2" FPT	1
7	10806	SCREW, CAP 5/16-18 x 1	3	51	10018	SCREW, CAP 1/4-20 x 3/4	1
8	10213	WASHER, FLAT 5/16	6	52	10602	WASHER, FLAT 1/4	2
9	61211	GUARD, LOWER PULLEY	1	53	61202	LATCH, REAR CASTER LEVER	1
10	10801	WASHER, LOCK 5/16	3	54	10861	NUT, KEPS 1/4-20	1
11	10054	NUT 5/16-18	3	55	10021	SCREW, CAP 3/8-24 x 1	6
12	61210	ROD, ALL THREAD 1/2-13 HOOD LATCH	2	56	10025	WASHER, FLAT 3/8	12
13	61209	COVER, DRUM (HOOD)	1	57	10811	WASHER, LOCK 3/8	6
14	61208	TUBE, HOOD LATCH 3/4"OD x 3-3/4"L	2	58	10014	NUT 3/8-24	6
15	10312	WASHER, FLAT 1/2	2	59	10861	NUT, KEPS 1/4-20	3
16	40358	NUT, TAIL HANDLE 1/2-13	2	60	10602	WASHER, FLAT 1/4	6
17	10407	NUT, LOCK 1/2-13	2	61	61055	TANK, GAS, 3 GALLON (INCLUDES ITEM #63)	1
18	10321	SCREW, CAP 1/2-20 x 1-1/4	4	62	61058	TUBE, FUEL PICK UP, 19"	1
19	10312	WASHER, FLAT 1/2	4	63	61056	CAP, GAS TANK	1
20	51302	BAIL, LIFTING	1	64	10018	SCREW, CAP 1/4-20 x 3/4	3
21	10045	WASHER, LOCK 1/2	4	65	10304	SCREW, CAP 1/2-20 x 1	2
22	10072	NUT 1/2-20	4	66	10045	WASHER, LOCK 1/2	2
23	10014	NUT 3/8-24	4	67	61205	SHAFT, 1"RD x 20-3/8"L	1
24	10811	WASHER, LOCK 3/8	4	68	10427	COLLAR, LOCKING 1"ID	2
25	61303	BRACKET, AIR CLEANER	1	69	10030	SCREW, CAP 3/8-24 x 2	1
26	10025	WASHER, FLAT 3/8	6	70	61110	LEVER, REAR CASTER	1
27	10309	SCREW, CAP 3/8-24 x 1-1/4	2	71	61206	LINKAGE, REAR CASTER	1
28	10021	SCREW, CAP 3/8-24 x 1	2	72	10004	NUT, LOCK 3/8-24	1
29	10054	NUT 5/16-18	5	73	50072	PIN, ROLL 1/4 x 2	1
30	10801	WASHER, LOCK 5/16	5	74	79022	GRIP, HAND 1" MODEL RG	1
31	61204	COVER, BELT	1	75	10072	NUT 1/2-20	1
32	10213	WASHER, FLAT 5/16	9	76	4805	ROD END, MALE 1/2-20	1
33	10818	BOLT, CARRIAGE 5/16-18 x 3/4	1	77	10312	WASHER, FLAT 1/2	6
34	10053	SCREW, CAP 5/16-18 x 3/4	4	78	10407	NUT, LOCK 1/2-13	1
35	10018	SCREW, CAP 1/4-20 x 3/4	4	79	50074	SPRING, EXT. 1" OD x 3-15/16" INSIDE ENDS	1
36	10038	WASHER, LOCK 1/4	4	80	10321	SCREW, CAP 1/2-20 x 1-1/4	2
37	10602	WASHER, FLAT 1/4	4	81	61120A	FIFTH WHEEL SUBASSEMBLY	1
38	61003	DOOR, CONSOLE SIDE ACCESS	1			(INCLUDES ITEMS 82-87)	
39	61304	CONSOLE, ELECTRIC HYD. PUMP	1	82	10309	SCREW, CAP 3/8-24 x 1-1/4	4
40	51230	KNOB, STAR CLAMPING 3/8-16 x 1 STUD	2	83	61120	CARRIAGE, CASTER BASE	1
41	10145	PIN, DETENT RING 3/16 x 1-5/16 EFF. L	2	84	10113	SPACER, STEEL 9/16" OD x 3/8" ID x 7/32"	4
42	51024	HANDLEBAR, 24"	2	85	61121	CASTER, SWIVEL WITH 5" C.I. WHEEL	1
43	61108	GRIP, 1" MODEL SX	2	86	10025	WASHER, FLAT 3/8	4
44	10806	SCREW, CAP 5/16-18 x 1	4	87	10004	NUT, LOCK 3/8-24	4

ILLUSTRATION #2: LIFTING SYSTEM GROUPING



EdcoParts.com
888-634-4389

An iBuy Stores Company

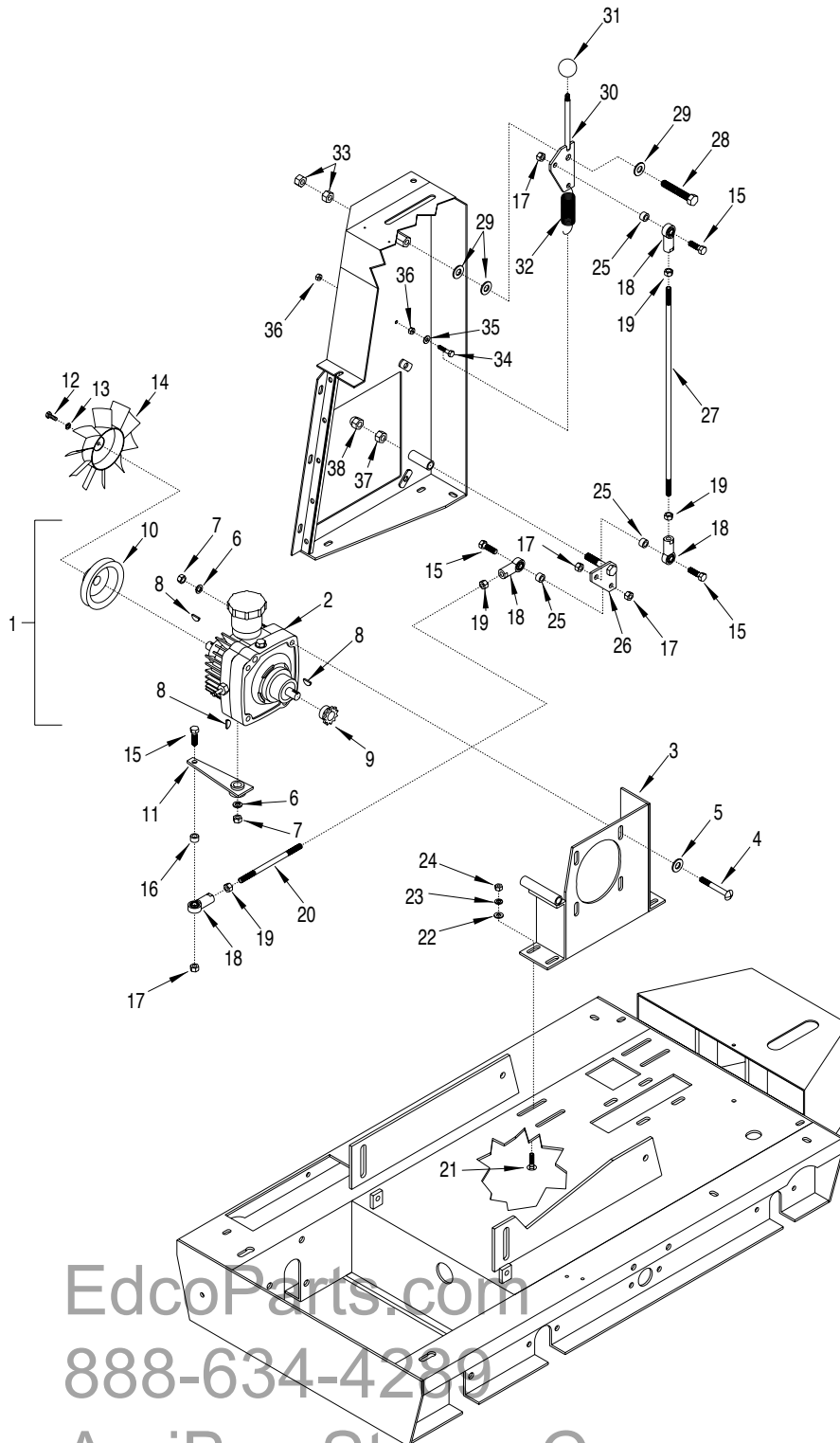
PARTS LISTING - ILLUSTRATION #2 :LIFTING SYSTEM GROUPING							
ITEM#	PART#	DESCRIPTION	QTY.	ITEM#	PART#	DESCRIPTION	QTY.
1	75004A	HANDWHEEL SUBASSEMBLY (INCLUDES ITEMS 2-9)	1	38	61116A	VALVE SUBASSEMBLY HYDRAULIC PUMP FLOW CONTROL (INCLUDES ITEMS 39 & 40)	1
2	10104	KNOB, BALL 1-7/8" DIA. W/ 1/2-13 THD.	1	39	61116	VALVE, FLOW CONTROL	2
3	75004	HANDWHEEL, LRG W/ 5/8-8 x 16" ROD	1	40	10717	NIPPLE, HEX 1/4 NPT (BRASS)	1
4	61106	DECAL, CUT CONTROL DN/UP	1	41	10717	NIPPLE, HEX 1/4 NPT (BRASS)	1
5	50550	SLEEVE FOR 1/2" CAPSCREW, TAPERED	1	42	50227	PUMP, HYDRAULIC ELECTRIC 12VDC (M-301)	1
6	10411	SCREW, SKT. HD. CAP 1/2-13 x 4	1	43	10025	WASHER, FLAT 3/8	2
7	80009	BEARING, BALL 5/8" 2 HOLE FLANGE	1	44	10811	WASHER, LOCK 3/8	2
8	55010	SPACER, HANDWHEEL 5/8" x 3/4	1	45	10055	SCREW, CAP 3/8-16 x 1	2
9	10096	COLLAR, LOCKING 5/8" ID	1				
10	10412	BOLT, CARRIAGE 1/4-20 x 1	2				
11	10602	WASHER, FLAT 1/4	2				
12	10861	NUT, KEPS 1/4-20	2				
13	61214	LINKAGE, LOWER CONTROL 25"L	1				
14	10322	SCREW, CAP 1/2-20 x 2	1				
15	10205	NUT, LOCK 1/2-20	1				
16	61218	ARM, CYLINDER CONTROL	1				
17	61219	SUPPORT, PIVOT	2				
18	10324	SCREW, CAP 1/2-13 x 3-1/2	1				
19	10009	WASHER, FLAT 3/4	3				
20	61217	TUBE, CYLINDER 3/4" OD x 2-5/16"L	1				
21	10407	NUT, LOCK 1/2-13	3				
22	10014	NUT 3/8-24	10				
23	10811	WASHER, LOCK 3/8	10				
24	10025	WASHER, FLAT 3/8	20				
25	10021	SCREW, CAP 3/8-24 x 1	10				
26	10808	FITTING, GREASE 1/4-28 STRAIGHT	4				
27	10326	SCREW, CAP 5/8-11 x 3	1				
28	61020	CYLINDER, HYDRAULIC	1				
29	10809	NUT, LOCK 5/8-11	1				
30	61216	FORK, OUTRIGGER	1				
31	81001	SCREW, CAP 1/2-13 x 4	2				
32	61047	SPACER, WHEEL 3/4" ID x 15/32	4				
33	61048	AXLE TUBE 3/4" OD x 3-1/4" L	2				
34	50030	WHEEL 6 x 2 x 3/4" BEARING, ALUMINUM/RUBBER	2				
35	10709	FITTING, SWIVEL 90°, 1/4 NPT HYDRAULIC	1				
36	61215	HOSE, HYDRAULIC 1/4 NPT x 31-1/2" L	1				
37	10710	FITTING, SWIVEL 45°, 1/4 NPT HYDRAULIC	1				

EdcooParts.com

888-634-4289

An iBuy Stores Company

ILLUSTRATION #3: TRANSMISSION GROUPING



EdcoParts.com
888-634-4280
An iBuy Stores Company

PARTS LISTING - ILLUSTRATION #3 : TRANSMISSION GROUPING			
ITEM#	PART#	DESCRIPTION	QTY.
1	61226A	TRANSMISSION SUBASSEMBLY (INCLUDES ITEMS 2-11)	1
2	50061	TRANSMISSION, HYDROSTATIC	1
3	61226	MOUNT, TRANSMISSION	1
4	10909	BOLT, CARRIAGE 3/8-16 x 3	4
5	10040	WASHER, GARRET 1"OD x 17/32 ID x .054T	4
6	10811	WASHER, LOCK 3/8	4
7	10404	NUT 3/8-16	4
8	50071	KEY, WOODRUFF 1/8 x 1/2(#404)	3
9	50048	SPROCKET #3511 x .67 BORE	1
10	50062	SHEAVE, HYD. TRANS. 4"OD x 1 Gr. x .671 BORE	1
11	61225	CONTROLARM, TRANSMISSION	1
12	10834	SCREW, CAP 1/4-20 x 1/2	1
13	10038	WASHER, LOCK 1/4	1
14	50266	FAN BLADE WITH PLATE 7"	1
15	10816	SCREW, CAP 3/8-24 x 1-1/2	4
16	10011	SPACER, STEEL 5/8 OD x 3/8 ID x 3/8	1
17	10004	NUT, LOCK 3/8-24	4
18	10919	ROD END, FEMALE 3/8-24	4
19	10014	NUT 3/8-24	4
20	61224	LINKAGE, ROD 3/8 x 6-1/2"L	1
21	10819	BOLT, CARRIAGE 5/16-18 x 1	4
22	10213	WASHER, FLAT 5/16	4
23	10801	WASHER, LOCK 5/16	4
24	10054	NUT 5/16-18	4
25	10113	SPACER, STEEL 9/16" OD x 3/8"ID x 7/32"	3
26	61038	PIVOT LINKAGE CONNECTOR, TRANSMISSION	1
27	61223	LINKAGE, ROD 3/8" x 19-1/4"L	1
28	10340	BOLT, TAP 1/2-13 x 3(FULL THREAD)	1
29	10312	WASHER, FLAT 1/2	3
30	61221	LEVER, DRIVE	1
31	10920	KNOB, BALL 1-3/8"DIA. W/ 5/16-24 THREADS	1
32	50074	SPRING, EXT. 1"OD x 3-15/16" INSIDE ENDS	1
33	10417	NUT 1/2-13	2
34	10905	SCREW, CAP 1/4-20 x 1-1/4	1
35	10602	WASHER, FLAT 1/4	1
36	10013	NUT 1/4-20	2
37	10205	NUT, LOCK 1/2-20	1
38	10422	NUT, ACORN 1/2-20	1

EdcoParts.com

888-634-4289

An iBuy Stores Company

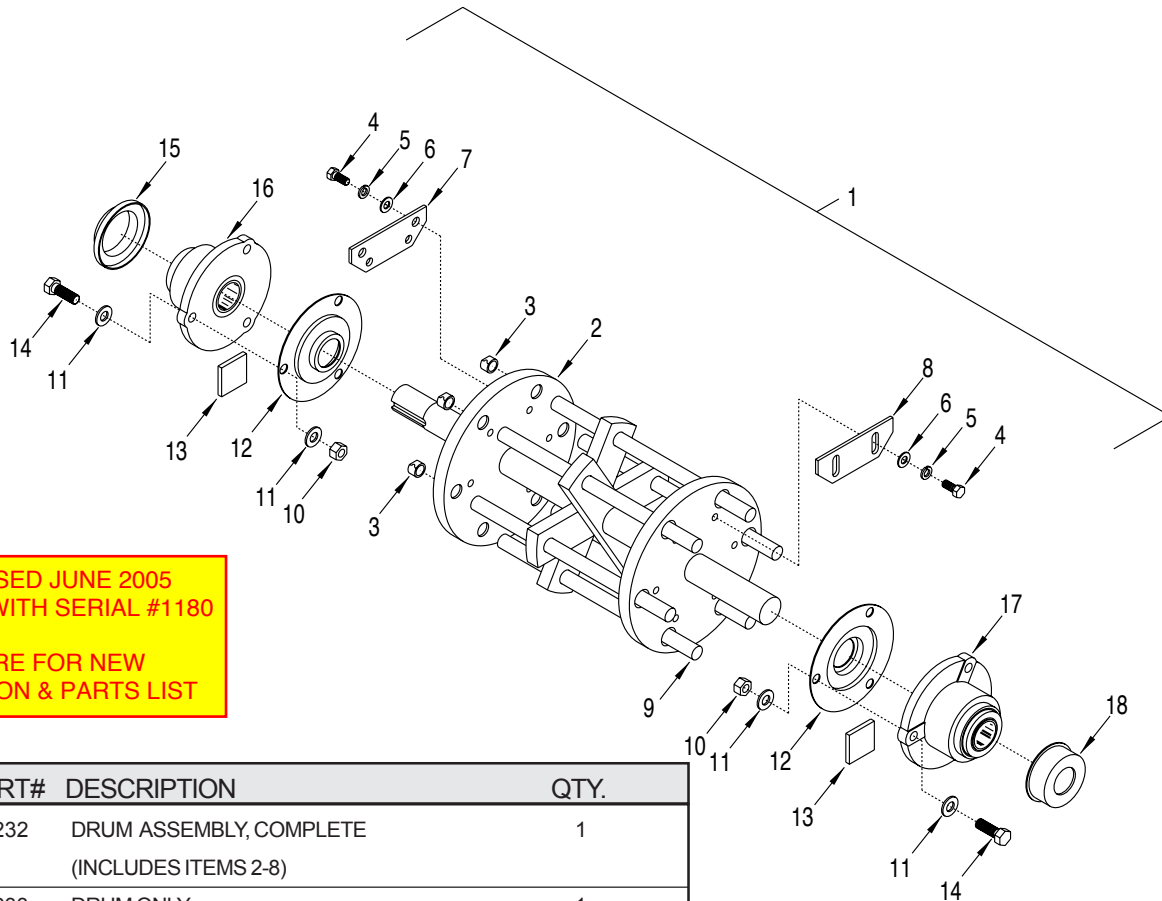
PARTS LISTING - ILLUSTRATION #4 :REAR AXLE & WHEEL GROUPING			
ITEM#	PART#	DESCRIPTION	QTY.
1	61053A	JACKSHAFT SUBASSEMBLY (INCLUDES ITEMS 2-5)	1
2	50045	BEARING, BALL 3/4" PILLOW BLOCK	2
3	61124	SPROCKET, DUAL #3560-4010	1
4	10016	KEY 3/16"SQ. x 1-1/2	1
5	61053	JACKSHAFT, 3/4"RD x 5"L	1
6	10804	BOLT, CARRIAGE 3/8-16 x 1-1/2	4
7	10025	WASHER, FLAT 3/8	4
8	10811	WASHER, LOCK 3/8	4
9	10404	NUT 3/8-16	4
10	61229	CHAIN #35 x 26-1/8" LOA	1
11	61228A	AXLE & WHEEL SUBASSEMBLY (INCLUDES ITEMS 12-23)	1
12	10914	SCREW, CAP 1/2-13 x 1	2
13	10045	WASHER, LOCK 1/2	2
14	10312	WASHER, FLAT 1/2	2
15	61065	WHEEL 8 x 3 x 1" BORE	2
16	61231	SPACER, WHEEL 1"ID x 2-3/4"L	1
17	61052R	BEARING, BALL 1"MODIFIED 3 HOLE (RIGHT)	1
18	61126	SPROCKET #40B34 x 1" BORE	1
19	61228	AXLE SHAFT, 1"DIA. x 30"L	1
20	10132	KEY 1/4"SQUARE x 3"L	2
21	10115	KEY 1/4"SQUARE x 2"L	1
22	61052L	BEARING, BALL 1"MODIFIED 3 HOLE (LEFT)	1
23	10008	WASHER, FLAT 1"	1
24	10309	SCREW, CAP 3/8-24 x 1-1/4	6
25	10025	WASHER, FLAT 3/8	12
26	10811	WASHER, LOCK 3/8	6
27	10014	NUT 3/8-24	6
28	61230	CHAIN #40 x 24-13/16"LOA	1

EdcoParts.com

888-634-4289

An iBuy Stores Company

ILLUSTRATION #5:DRUM GROUPING



**DRUM REVISED JUNE 2005
STARTING WITH SERIAL #1180**

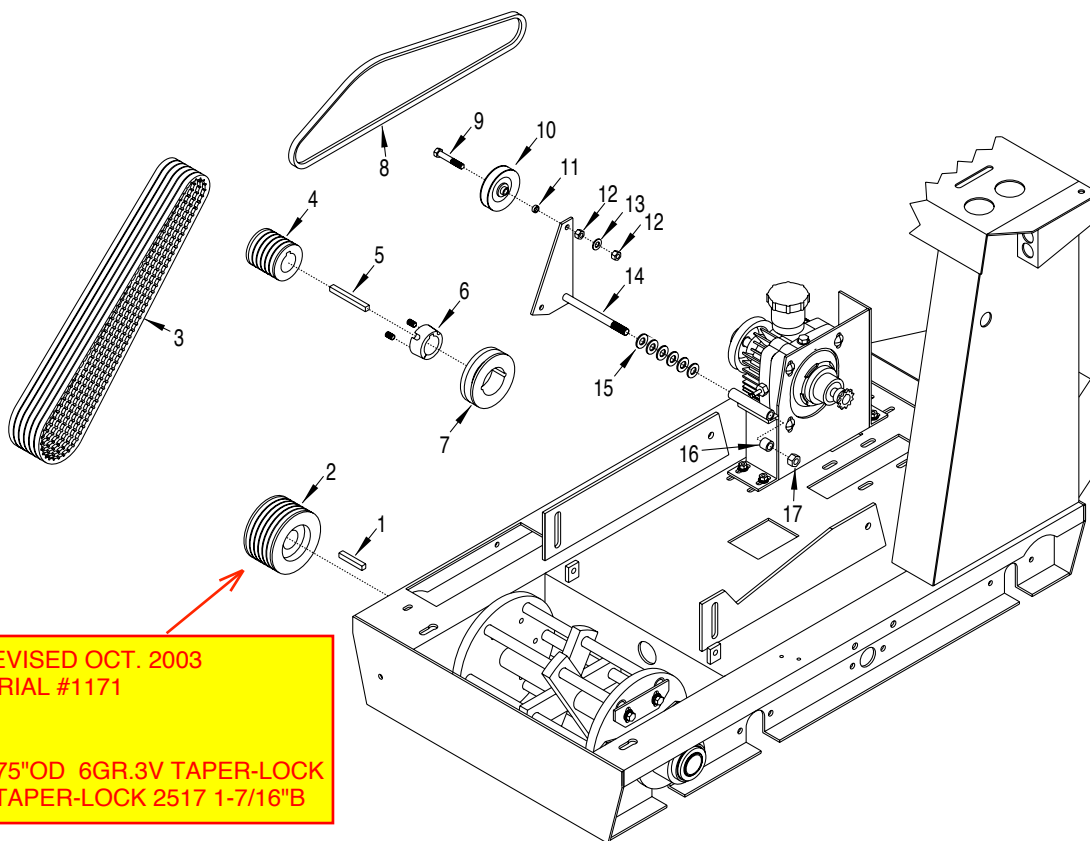
**SELECT HERE FOR NEW
ILLUSTRATION & PARTS LIST**

ITEM#	PART#	DESCRIPTION	QTY.
1	61232	DRUM ASSEMBLY, COMPLETE (INCLUDES ITEMS 2-8)	1
2	61233	DRUM ONLY	1
3	84063	BUSHING, DRUM, HARDENED STEEL 3/4"ID	12
4	10912	SCREW, CAP 3/8-16 x 7/8 (GRADE 8)	12
5	10811	WASHER, LOCK 3/8	12
6	10025	WASHER, FLAT 3/8	12
7	61249	RETAINING PLATE, CUTTER SHAFT, 4-HOLE	3
8	61234	RETAINING PLATE, CUTTER SHAFT, 2-SLOT	3
9	20010	CP 412 SHAFT, 13-5/8"	6
10	10205	NUT, LOCK 1/2-20	6
11	10312	WASHER, FLAT 1/2	12
12	61238	BEARING DUST SHIELD	2
13	61239	RUBBER SEAL, 1-3/4"SQ.	2
14	10308	SCREW, CAP 1/2-20 x 1-1/2	6
15	61247	BEARING STEEL FLINGER	1
16	61236	BEARING ROLLER 1-1/2" 3-HOLE (RIGHT)	1
17	61235	BEARING ROLLER 1-1/2" 3-HOLE (LEFT)	1
18	61237	BEARING STEEL CAP	1

EdcoParts.com
888-634-4289

An iBuy Stores Company

ILLUSTRATION #6:BELT DRIVE GROUPING



SHEAVE (ITEM 2) REVISED OCT. 2003
STARTING WITH SERIAL #1171

NEW PARTS:

#61315 - SHEAVE 4.75"OD 6GR.3V TAPER-LOCK
#61316 - BUSHING, TAPER-LOCK 2517 1-7/16"B

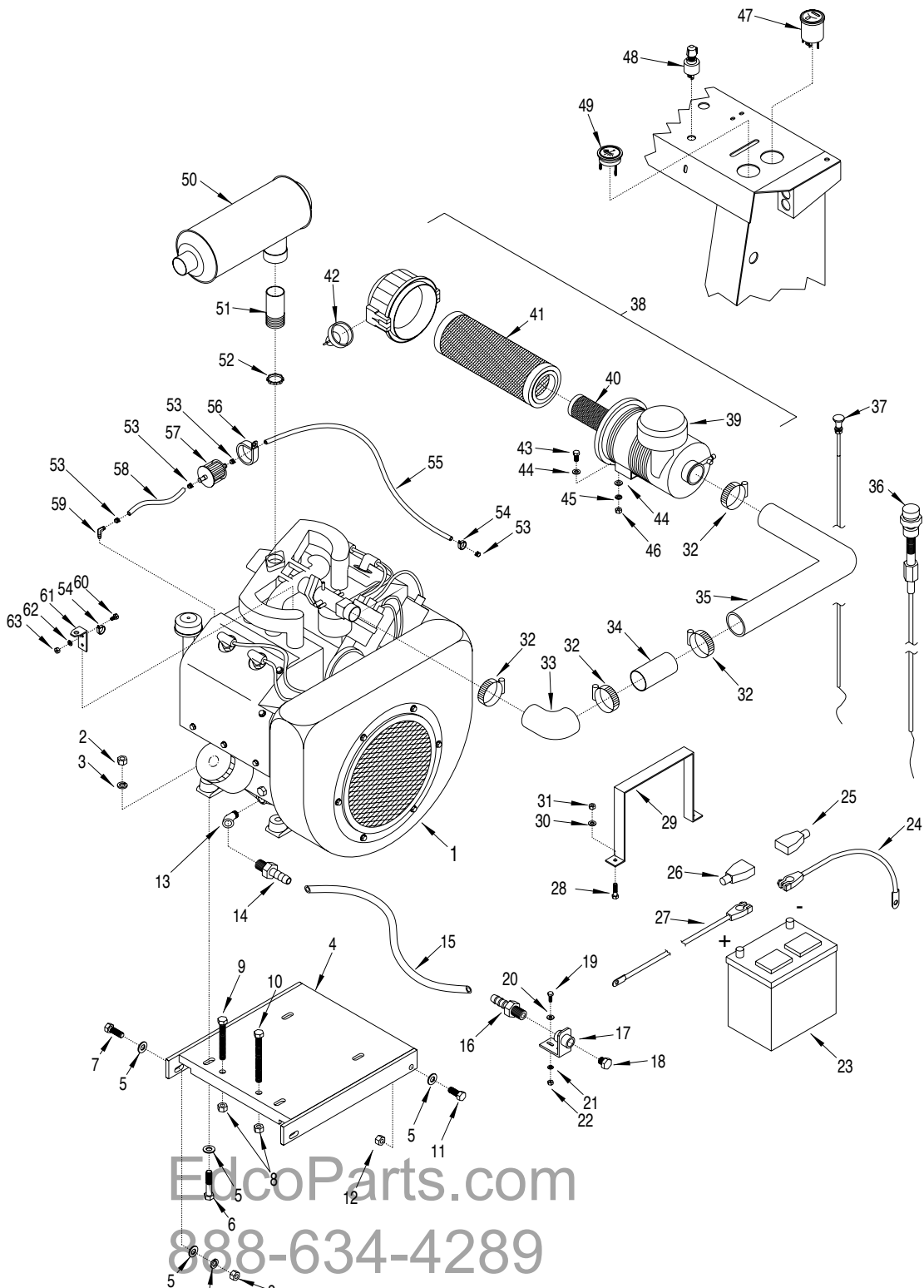
ITEM#	PART#	DESCRIPTION	QTY.
1	10118	KEY, 3/8 SQUARE x 2-1/4	1
2	10514	SHEAVE 4.8"OD x 6 Gr. 3Vx 1-7/16" BORE	1
3	10243	BELT 3VX-530 COG (SINGLE)	6
4	10510	SHEAVE 2.8" OD x 6 Gr. 3V x 1-7/16" BORE	1
5	10074	KEY, 3/8 SQUARE x 3-1/2"	1
6	10531	BUSHING, SHEAVE TAPER-LOCK x 1-7/16" BORE	1
7	10528	SHEAVE 4.15"OD x 1 Gr.AB TAPER-LOCK	1
8	61308	BELTAP-41	1
9	10336	SCREW, CAP 3/8-24 x 2-1/4	1
10	50115	PULLEY, IDLER 3"OD x 1Gr.AB x 3/8 BEARING	1
11	10113	SPACER, 9/16"OD x 3/8"ID x 7/32	1
12	10004	NUT, LOCK 3/8-24	2
13	10025	WASHER, FLAT 3/8	1
14	61227	BRACKET, IDLER ARM	1
15	10312	WASHER, FLAT 1/2	6
16	41045	SPACER 3/4"OD x 1/2"ID x 5/8"L	1
17	10205	NUT, LOCK 1/2-20	1

EdcoParts.com

888-634-4289

An iBuy Stores Company

ILLUSTRATION #7:ENGINE GROUPING



EdcoParts.com

888-634-4289

An iBuy Stores Company

PARTS LISTING - ILLUSTRATION #7 :ENGINE GROUPING

ITEM#	PART#	DESCRIPTION	QTY.	ITEM#	PART#	DESCRIPTION	QTY.
1	31401	ENGINE, WISCONSIN 35 HP W4-1770	1	39	15143	PRECLEANER, AIR FILTER	1
2	10072	NUT 1/2-20	4	40	15142	SAFETY ELEMENT, AIR FILTER	1
3	10045	WASHER, LOCK 1/2	6	41	15141	PRIMARY ELEMENT, AIR FILTER	1
4	61301	MOUNT, ENGINE, CPU-12 35W	1	42	15144	DUCKBILL DRAIN	1
5	10312	WASHER, FLAT 1/2	10	43	10053	SCREW, CAP 5/16-18 x 3/4	2
6	10343	SCREW, CAP 1/2-20 x 2-1/2	4	44	10213	WASHER, FLAT 5/16	4
7	10356	SCREW, CAP 1/2-13 x 1-1/2	2	45	10801	WASHER, LOCK 5/16	2
8	10417	NUT 1/2-13	4	46	10054	NUT 5/16-18	2
9	10392	BOLT, TAP 1/2-13 x 4(FULL THD.)	1	47	10637	METER, HOUR 2-1/16"	1
10	10373	BOLT, TAP 1/2-13 x 5(FULL THD.)	1	48	10632	SWITCH, IGNITION STARTER, LEVER TYPE 1	1
11	10321	SCREW, CAP 1/2-20 X 1-1/4	2	49	10631	METER, 30 AMP	1
12	10205	NUT, LOCK 1/2-20	2	50	10622	MUFFLER, WD-72	1
13	10752	ELBOW, STREET 3/8NPT x 45°(BLACK)	1	51	10623	PIPE, MUFFLER 1-1/4"NPT x 3"	1
14	50554	BARB, PUSH ON 1/2" HOSE x 3/8MPT	1	52	10720	CONDUIT LOCK NUT, 1-1/4NP	1
15	61309	HOSE, PUSH ON 1/2"ID x 14"L	1	53	10762	CLAMP, HOSE, SPRING TYPE 3/8" (GREEN)	4
16	80061	BARB, PUSH ON 1/2" HOSE x 1/2 MPT	1	54	11565	CLAMP, LOOM 5/8"-SIZE 10	2
17	57159	BRACKET, OIL DRAIN	1	55	61311	HOSE, FUEL 1/4"ID x 26"L	1
18	50552	PLUG, PIPE 1/2 NPT(BRASS)	1	56	11566	CLAMP, LOOM 1-3/4"-SIZE 28	1
19	10018	SCREW, CAP 1/4-20 x 3/4	1	57	15116	FILTER, FUEL 1/4" IN LINE	1
20	10602	WASHER, FLAT 1/4	1	58	61312	HOSE, FUEL 1/4"ID x 13"L	1
21	10038	WASHER, LOCK 1/4	1	59	10771	BARB, ELBOW 90° 1/4" HOSE x 1/8" MPT	1
22	10013	NUT 1/4-20	1	60	10834	SCREW, CAP 1/4-20 x 1/2	1
23	50321	BATTERY 12VOLT/400CCA (POST TERMINALS)	1	61	50429	BRACKET, THROTTLE CABLE MOUNTING	1
24	50323B	CABLE, BATTERY 4GA. x 12"(BLACK)	1	62	10602	WASHER, FLAT 1/4	1
25	10929	INSULATOR, BAT, TERM. NEG.(BLACK)	1	63	10015	NUT, LOCK 1/4-20	1
26	10928	INSULATOR, BAT, TERM. POS.(RED)	1				
27	61310	CABLE, BATTERY 4GA. x 17"(RED)	1				
28	10606	SCREW, CAP 5/16-18 x 1-1/4	2				
29	61241	CLAMP, BATTERY HOLD DOWN	1				
30	10213	WASHER, FLAT 5/16	2				
31	10807	NUT, LOCK 5/16-18	2				
32	10745	CLAMP, HOSE, SIZE 36, ADJ. UP TO 2-3/4"	4				
33	10638	HOSE ELBOW, REDUCER, 2" TO 1-3/4"	1				
34	50545	PIPE 2"OD x 4"L, AIR CLEANER	1				
35	50537	HOSE ELBOW, AIR FILTER 2"ID	1				
36	50560	CABLE, VERNIER ADJ. LOCKING CONTROL 6 FT (CUT TO FIT)	1				
37	15129	CABLE, CHOKE CONTROL 72" (CUT TO FIT)	1				
38	15140	AIR CLEANER ASSEMBLY, 35HP WISC. (INCLUDES ITEMS 39-42)	1				

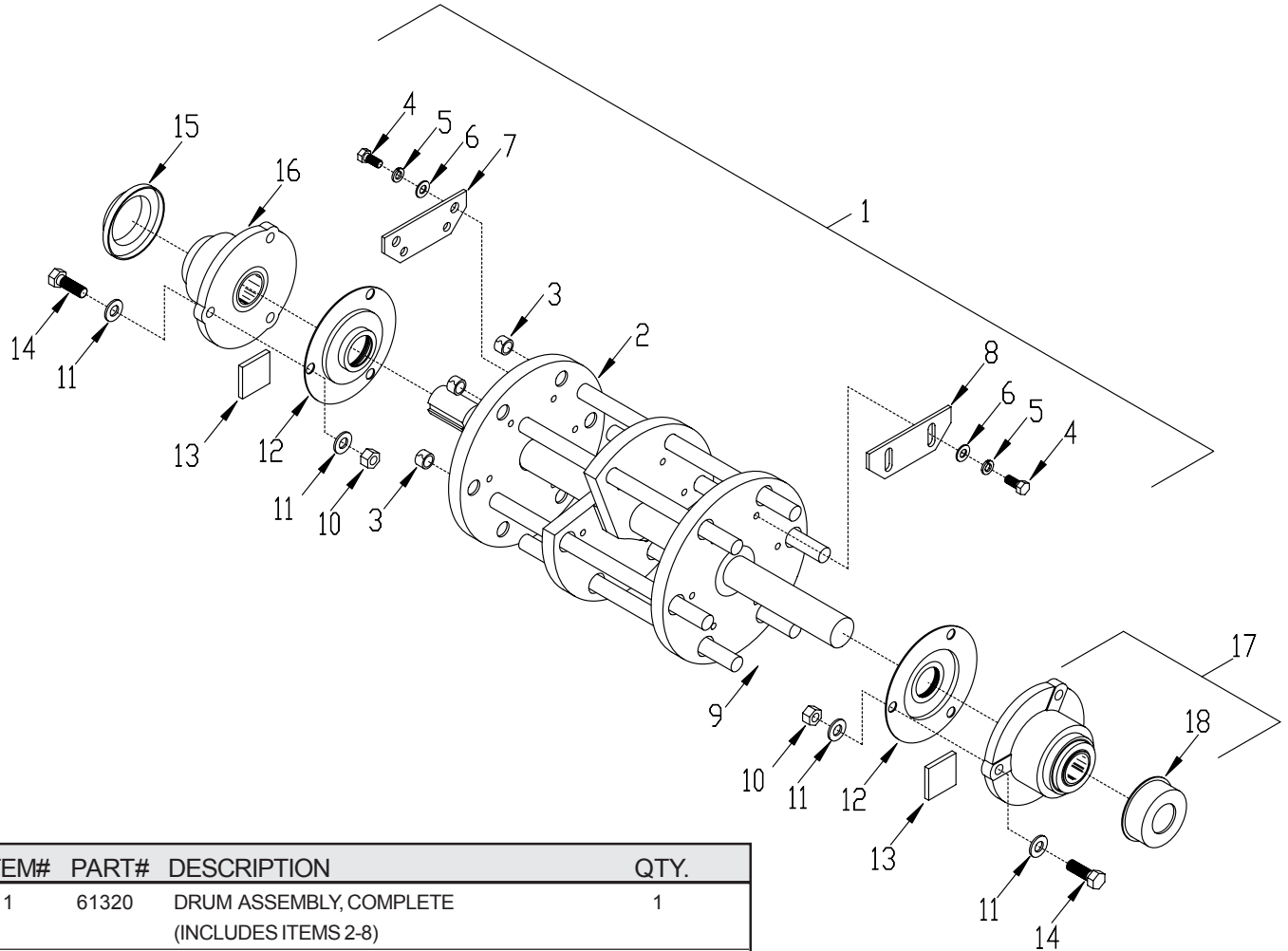
EdcoParts.com

888-634-4289

An iBuy Stores Company

CPU-12 CUTTER DRUM ASSEMBLY

(REVISED JUNE 2005, STARTING SERIAL #1180)



ITEM#	PART#	DESCRIPTION	QTY.
1	61320	DRUM ASSEMBLY, COMPLETE (INCLUDES ITEMS 2-8)	1
2	61321	DRUM ONLY	1
3	84063	BUSHING, DRUM, HARDENED STEEL 3/4"ID	18
4	10912	SCREW, CAP 3/8-16 x 7/8 (GRADE 8)	12
5	10811	WASHER, LOCK 3/8	12
6	10025	WASHER, FLAT 3/8	12
7	61249	RETAINING PLATE, CUTTER SHAFT, 4-HOLE	3
8	61234	RETAINING PLATE, CUTTER SHAFT, 2-SLOT	3
9	20010	CP412 SHAFT 3/4 X 13-5/8	6
10	10205	NUT, LOCK 1/2-20	6
11	10312	WASHER, FLAT 1/2	12
12	61238	BEARING DUST SHIELD W/SEAL	2
13	61239	RUBBER SEAL, 1-3/4"SQ.	2
14	10308	SCREW, CAP 1/2-20 x 1-1/2	6
15	61247	BEARING STEEL FLINGER	1
16	61236	BEARING, ROLLER 1-1/2" 3-HOLE, FB22424EH DRIVE SIDE	1
17	61235	BEARING, ROLLER 1-1/2" 3-HOLE, FB22424EHC OPP. DRIVE SIDE, INCLUDES STEEL CAP-ITEM 18	1
18	61237	BEARING STEEL CAP	1

EdcoParts.com

888-634-4289

An iBuy Stores Company