



HEARTH PRODUCTS

P/N 875030M Rev. E 01/2011

This manual is one of a set of two supporting this product. Refer to P/N 850036M for Installation Instructions. Ce manuel est disponible en français, simplement en faire la demande. Numéro de la pièce 875030CF.

WHAT'S INSIDE

Table of Contents 2
Safety and Your Fireplace 2
FREE Safety Guard Offer (Protects Against Burns) 2
Important Safety Information 4
Attaching the Safety-in-Operation Warnings 5
[EN FRANÇAIS] L'information de sûreté importante 3-4
Apposition des mises en garde relatives à la sécurité d'utilisation 5
[EN ESPAÑOL] Información importante de seguridad 3-4
Colocación de advertencias de seguridad en operación 5

CARE AND OPERATION INSTRUCTIONS

ELDV Direct-Vent Gas Fireplaces

ELITE™ SERIES

MODELS

MILLIVOLT:

- ELDV-35NM ELDV-35PM
ELDV-40NM ELDV-40PM
ELDV-45NM ELDV-45PM

ELECTRONIC:

- ELDV-35NE
ELDV-40NE
ELDV-45NE



OTL Report No. 116-F-39C-5



INSTALLER: Leave this manual with the appliance.
CONSUMER: Retain this manual for future reference.
INSTALLATEUR : Laissez cette notice avec l'appareil.
CONSOMMATEUR : Conservez cette notice pour consultation ultérieure.



WARNING / AVERTISSEMENT / AVISO

- HOT GLASS WILL CAUSE BURNS.
DO NOT TOUCH GLASS UNTIL COOLED.
NEVER ALLOW CHILDREN TO TOUCH GLASS.



- UNE SURFACE VITRÉE CHAUDE PEUT CAUSER DES BRÛLURES.
LAISSER REFROIDIR LA SURFACE VITRÉE AVANT D'Y TOUCHER.
NE PERMETTEZ JAMAIS À UN ENFANT DE TOUCHER LA SURFACE VITRÉE.

- EL VIDRIO CALIENTE CAUSARÁ QUEMADURAS.
USTED DEBE NUNCA TOCAR EL VIDRIO CALIENTE.
LOS NIÑOS DEBEN NUNCA TOCAR EL VIDRIO.

WARNING: If the information in these instructions is not followed exactly, a fire or explosion may result, causing property damage, personal injury, or death.

- Do not store or use gasoline or other flammable vapors and liquids in the vicinity of this or any other appliance.
WHAT TO DO IF YOU SMELL GAS:
Do not try to light any appliance.
Do not touch any electrical switch; do not use any phone in your building.
Immediately call your gas supplier from a neighbor's phone. Follow the gas supplier's instructions.
If you cannot reach your gas supplier, call the fire department.
Installation and service must be performed by a qualified installer, service agency or the gas supplier.

AVERTISSEMENT : Assurez-vous de bien suivre les instructions données dans cette notice pour réduire au minimum le risque d'incendie ou d'explosion ou pour éviter tout dommage matériel, toute blessure ou la mort.

- Ne pas entreposer ni utiliser d'essence ni d'autres vapeurs ou liquides inflammables dans le voisinage de cet appareil ou de tout autre appareil.
QUE FAIRE SI VOUS SENTEZ UNE ODEUR DE GAZ :
Ne pas tenter d'allumer d'appareil.
Ne touchez à aucun interrupteur. Ne pas vous servir des téléphones se trouvant dans le bâtiment où vous trouvez.
Appelez immédiatement votre fournisseur de gaz depuis un voisin. Suivez les instructions du fournisseur.
Si vous ne pouvez rejoindre le fournisseur de gaz, appelez le service des incendies.
L'installation et l'entretien doivent être assurés par un installateur ou un service d'entretien qualifié ou par le fournisseur de gaz.

## ACCESSORY COMPONENTS

Product Reference Information			
Cat. No.	Model	Ship. Weight	Ship. Volume
H3948	ELDV-35NM	159 lb.	26.1 cu. ft.
H3949	ELDV-35PM	159 lb.	26.1 cu. ft.
H3950	ELDV-35NE	159 lb.	26.1 cu. ft.
H3951	ELDV-40NM	182 lb.	26.06 cu. ft.
H3952	ELDV-40PM	182 lb.	26.06 cu. ft.
H3953	ELDV-40NE	182 lb.	26.06 cu. ft.
H3954	ELDV-45NM	202 lb.	33.03 cu. ft.
H3955	ELDV-45PM	202 lb.	33.03 cu. ft.
H3956	ELDV-40NE	202 lb.	33.03 cu. ft.



### Digital Wall Thermostat

The wall thermostat kit provides temperature control for optimum comfort.

Wall Thermostat, Millivolt		
Cat. No.	Model No.	Description
H4635	DWTK	Wall Thermostat Kit, White



### Standard Remote Control System

The Model RCL (Standard) Remote Control System, features a simplistic OFF/ON control function for the fireplace. This model includes a hand-held transmitter, a remote receiver with wall-mount cover plate and all hardware required to install the unit. The remote receiver can be wall or hearth mounted.

The transmitter has ON and OFF functions that are activated by pressing either button on the face of the transmitter. When a button on the transmitter is pressed, a signal light illuminates briefly to verify that a signal has been sent.

The Model RCL is designed to operate with all millivolt ignition systems, as well as electronic ignition systems. It may be installed with use for either natural gas or propane gas appliances. The RCL offers ease of installation and allows you to execute on-off commands to the fireplace effortlessly with one simple motion.

The Model RCL comes complete with detailed operating instructions.

Remote Control Kit, Standard		
Cat. No.	Model No.	Description
H0249	RCL	Remote Control System (Standard)

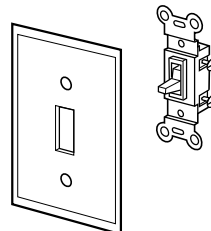


### Deluxe Remote Control System

The Model RCL-T (Deluxe) Remote Control System has all of the features of the standard system along with an added easy to read LCD screen which presents access to many enhancements, including; battery power level indicator, timer, mode of operation, thermostatic display including room temperature in either metric or English units, flame indicator and clock. Fully programmable, the Model RCL-T allows for virtual command over nearly all operational and temperature variables, using the hand held remote control transmitter.

The Model RCL-T (Deluxe) remote control system is installed in the same manner as the standard system, may be operated with electronic and millivolt systems with either natural gas or propane gas. The RCL-T comes complete with detailed operating instructions.

Remote Control Kit, Deluxe		
Cat. No.	Model No.	Description
H0251	RCL-STAT	Remote Control System (Deluxe)



### OFF/ON Wall Switch Kit

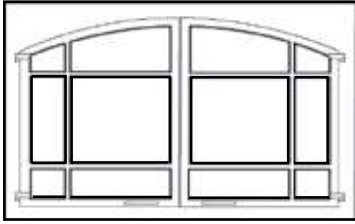
The OFF/ON wall switch kit may be used to control the operation of the fireplace burner or blower. Install the OFF/ON wall switch in a convenient location near the fireplace.

White Wall Switch Kit		
Cat. No.	Model No.	Description
85L87	FWSK	OFF/ON Wall Switch Kit

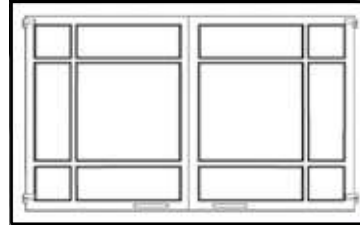
## ACCESSORY COMPONENTS CONTINUED

### Style View Doors -

Style View Doors come in 2 beautiful styles. They are easy to install and will not require hardware to attach them to the standard glass door frame. The door includes heavy duty magnet door latches and functional twin-pane doors.



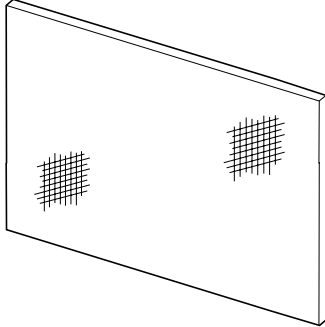
Arch Pane Design



Square Pane Design

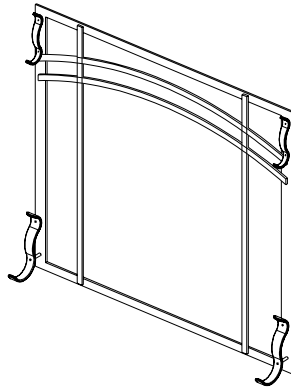
ARCH PANE DESIGN KITS			
Cat. No.	Model	Description	Model Series
H3973	APDL40C	40" Arch Doors, Charcoal	ELDV40
H3974	APDL40SP	40" Arch Doors, Satin Pewter	
H3975	APDL40AB	40" Arch Doors, Antique Brass	
H3976	APDL45C	45" Arch Doors, Charcoal	ELDV45
H3977	APDL45SP	45" Arch Doors, Satin Pewter	
H3978	APDL45AB	45" Arch Doors, Antique Brass	
H3970	APDL35C	35" Arch Doors, Charcoal	ELDV35
H3971	APDL35SP	35" Arch Doors, Satin Pewter	
H3972	APDL35AB	35" Arch Doors, Antique Brass	

SQUARE PANE DESIGN KITS			
Cat. No.	Model	Description	Model Series
H3982	SPDL40C	40" Sq. Doors, Charcoal	ELDV40
H3983	SPDL40SP	40" Sq. Doors, Satin Pewter	
H3984	SPDL40AB	40" Sq. Doors, Antique Brass	
H3985	SPDL45C	45" Sq. Doors, Charcoal	ELDV45
H3986	SPDL45SP	45" Sq. Doors, Satin Pewter	
H3987	SPDL45AB	45" Sq. Doors, Antique Brass	
H3979	SPDL35C	35" Sq. Doors, Charcoal	ELDV35
H3980	SPDL35SP	35" Sq. Doors, Satin Pewter	
H3981	SPDL35AB	35" Sq. Doors, Antique Brass	



Screen Panel Kits	
Model No.	Catalog No. Model No.
ELDV35	H3988 35LSPK
ELDV40	H3989 40LSPK
ELDV45	H3990 45LSPK

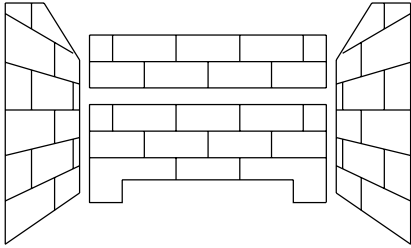
These screen panels can be installed on the glass enclosure panel to provide a barrier preventing direct contact with hot glass. The screen panel kits cannot be used in conjunction with either of the arch door kits or door frame kits.



Dual Arch Screen Kits	
Model No.	Catalog No. Model No.
ELDV35	H4688 DASK-DV35
ELDV40	H4689 DASK-DV40
ELDV45	H4690 DASK-DV45

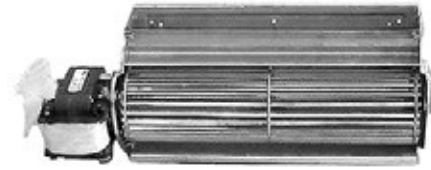
These screen kits can be installed on the glass enclosure panel to provided protection from the hot glass surface.

**ACCESSORY COMPONENTS CONTINUED**



Brick Liner Kits		
Model No.	Catalog No. Model No.	Description
ELDV35	H3961 BLKR-ELDV35	Rustic
ELDV35	H3962 BLKH-ELDV35	Herringbone
ELDV35	H3963 BLKC-ELDV35	Red Old Cottage
ELDV35	H4708 BLKBR-ELDV35	Boston Red
ELDV40	H3964 BLKR-ELDV40	Rustic
ELDV40	H3965 BLKH-ELDV40	Herringbone
ELDV40	H3966 BLKC-ELDV40	Red Old Cottage
ELDV40	H4709 BLKBR-ELDV40	Boston Red
ELDV45	H3967 BLKR-ELDV45	Rustic
ELDV45	H3968 BLKH-ELDV45	Herringbone
ELDV45	H3969 BLKC-ELDV45	Red Old Cottage
ELDV45	H4710 BLKBR-ELDV45	Boston Red

The brick panel liner kits include ceramic panels of the side walls, the rear and the baffle of the firebox. The panels have brick-like features in relief.



**Forced Air Blower Kit  
Single Speed** H4678 LBLK-100

**Forced Air Kit**

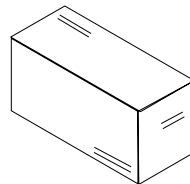
The LBLK-100 blower provides constant velocity forced air circulation.



**Touch-Up Paint (Black) Kit** 70K99 FTPK-B

**Touch-Up Paint Kit**

Repair of minor scratches and discoloration of the appliance charcoal painted surfaces may be accomplished with the touch-up paint kit.



**Pine Cones and  
Wood Bits** 91L05 FPCK

**Twelve Piece Ember Kit**

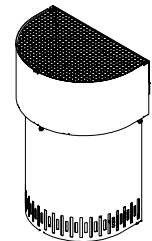
A twelve piece ember kit (model FPCK) has been developed to provide a means of enhancing the already impressive log presentation of this fireplace. This kit contains three (3) ceramic fiber pine cones and nine (9) ceramic fiber debris wood bits. All twelve elements will not be consumed in the flames and may be placed within the presentation area (without impinging any of the lofting flames) to add realism and enhance the rustic look and appeal of the fire.



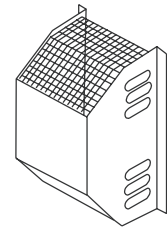
**Bag of Glowing Embers  
Bag of Volcanic Stone**

Replacement ember materials or volcanic stone are available for use with these appliances. Order kits as part of the periodic maintenance of the appliance.

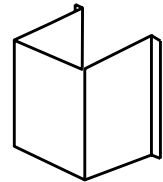
Decorative Firebox Accessories (all models)		
Cat. No.	Model No.	Description
88L53	FGE	Bag of Glowing Embers
80L42	FDVS	Bag of Decorative Volcanic Stone



*Termination Shroud  
(Fits H1968)*



*Deluxe Termination Guard  
(Fits 94L10)*



*Square Termination Guard  
(Fits 94L10)*

**Termination Guard Kits**

The vent termination guards may be used to cover the vent termination on the exterior of the home to minimize exposure to the hot surface of the termination.

Termination Guard Kits (all models)		
Cat. No.	Model No.	Description
H5820	4.5HTSK	Termination Shroud
87L02	SV4.5HGS	Termination Guard, Deluxe
17M52	SV4.5HGS-1	Termination Guard, Square

## REPLACEMENT PARTS LIST

No.	DESCRIPTION	ELDV35		ELDV40		ELDV45	
		Part No.	Qty.	Part No.	Qty.	Part No.	Qty.
	Gas Fireplace Assembly	–	–	–	–	–	–
1.	Enclose, Door Assembly	H4653	1	H4654	1	H4655	1
2.	Log Set	H4656	1	H4657	1	H4658	1
3.	Burner Assembly - Natural	H7203	1	H7204	1	H7204	1
	Burner Assembly - Propane	H7203	1	H7246	1	H7246	1
4.	Gasket - Venturi	43K85	1	43K85	1	43K85	1
5.	Venturi	H1428	1	H1428	1	H1428	1
6.	Bottom Panel	H4661	1	H4662	1	H4663	1
7.	Access Plate, Blower	H4664	1	H4664	1	H4664	1
8.	Latch	69L21	2	69L21	2	69L21	2
9.	Gasket, Access Plate, Blower	H4665	1	H4665	1	H4665	1
10.	Grate Assembly	H4666	1	H4667	1	H4667	1
11.	Burner Baffle	H4668	1	H4669	1	H4670	1
12.	Flex Gas Line	93L32	1	93L32	1	93L32	1
13.	Gas Line Tubing - Millivolt	H4671	1	H4671	1	H4671	1
	Gas Line Tubing - Electronic	H4672	1	H4672	1	H4672	1
14.	Orifice - Natural	99K76	1	24M10	1	18L40	1
	Orifice - Propane	39L10	1	21L01	1	74L88	1
15.	On/Off Control Switch	80L41	1	80L41	1	80L41	1
16.	Plate Relief Assembly	28L08	2	28L09	2	28L09	2
17.	Bracket Pressure Relief	H4680	2	H4680	2	H4680	2
18.	Volcanic Stone	80L42	1	80L42	1	80L42	2
19.	Vermiculite	H3696	1	H3696	1	H3696	1
20.	Gas Supply Access Plate	H4827	1	H4827	1	H4827	1
21.	Gasket, Access Plate, Gas	H4828	1	H4828	1	H4828	1
22.	Eyebrow	H5073	1	H5074	1	H5075	1
23.	Top Front Face	H5069	1	H5070	1	H5072	1
24.	Rear Log Support Bracket - Natural	H7247	1	H7248	1	H7248	1
	Rear Log Support Bracket - Propane	H7247	1	H7249	1	H7249	1

### Gas Controls - SIT Millivolt

Item No.	Description	Natural Gas		Propane Gas	
		Part No.	Qty.	Part No.	Qty.
30	Gas Valve, SIT	43K07	1	88J53	1
31	Piezo Igniter	10K86	1	10K86	1
32	Pilot Assembly	69L17	1	69L18	1
33	Pilot Generator	60J79	1	60J79	1
34	Thermocouple	74L57	1	74L57	1
35	Pilot Tube	74L56	1	74L56	1
36	Electrode And Cable	74L58	1	74L58	1

Contact an Authorized Lennox Hearth Products dealer to obtain any of these parts. Never use substitute materials. Use of non-approved parts can result in poor performance and safety hazards.

### WARNING

Failure to position the parts in accordance with these diagrams or failure to use only parts specifically approved with this appliance may result in property damage or personal injury.

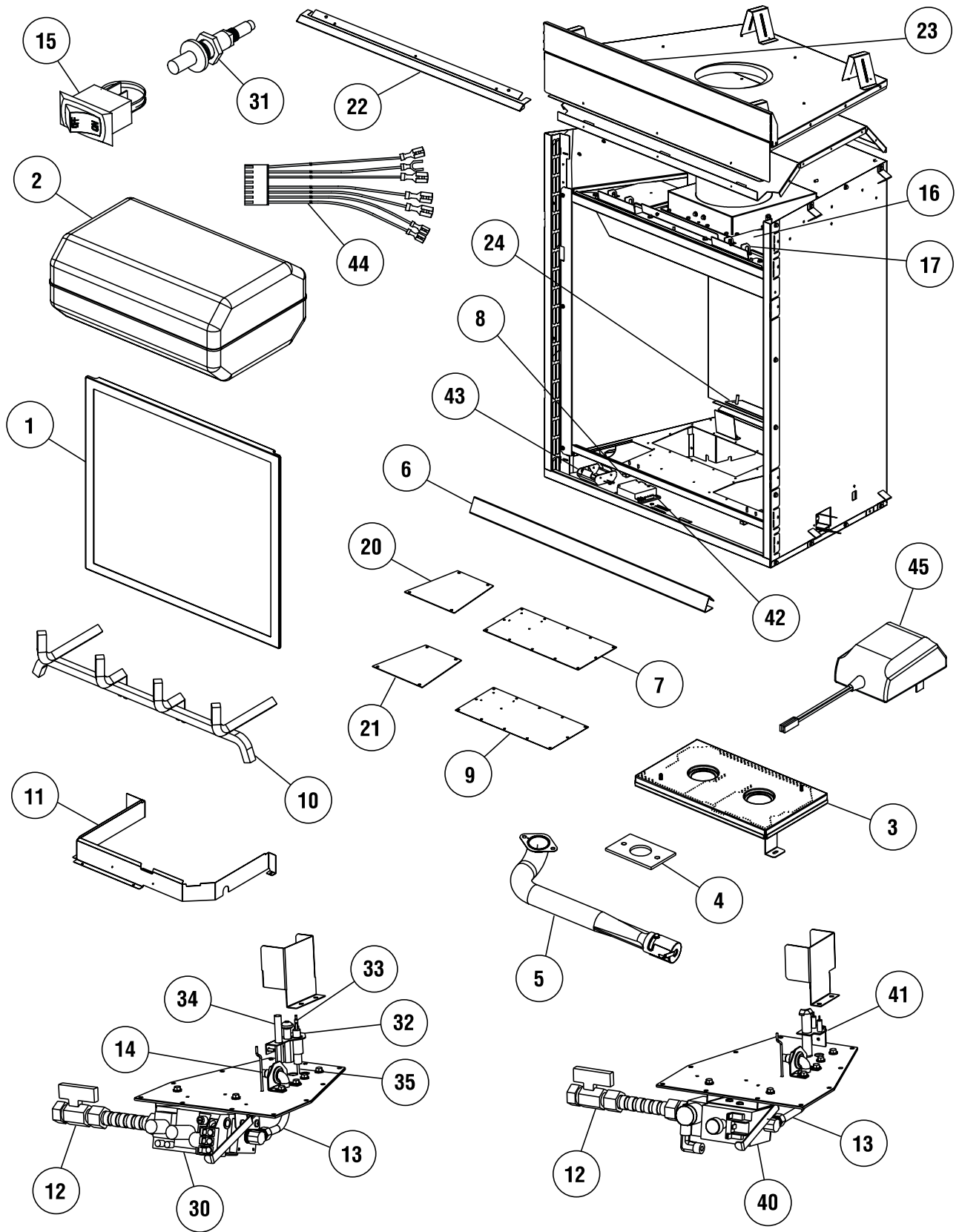
### Gas Controls - Dexen Electronic

Item No.	Description	Natural Gas	
		Part No.	Qty.
40	Gas Valve, Dexen	H4681	1
41	Pilot Assembly	H4673	1
42	Igniter Module	H4674	1
43	Battery Holder	H4675	1
44	Wire Harness	H4676	1
45	Adaptor	H4677	1

### AVERTISSEMENT

Risque de dommages ou de blessures si les pièces ne sont pas installées conformément à ces schémas et ou si des pièces autres que celles spécifiquement approuvées avec cet appareil sont utilisées.

# REPLACEMENT PARTS



NOTE: DIAGRAMS & ILLUSTRATIONS NOT TO SCALE.