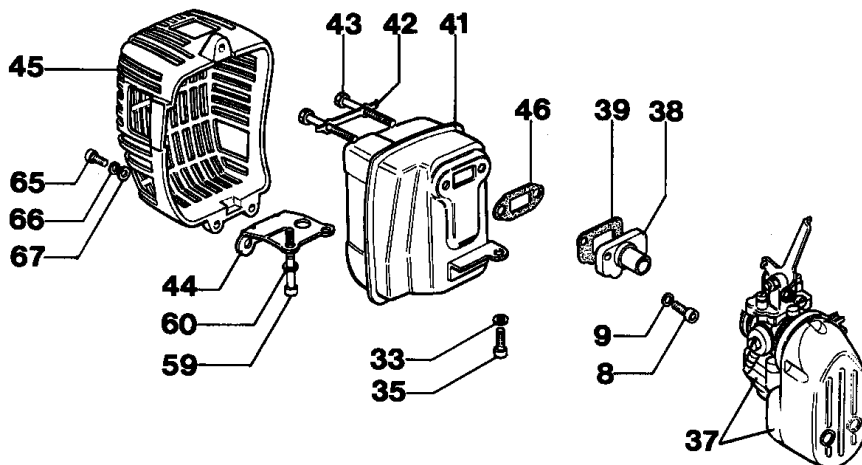
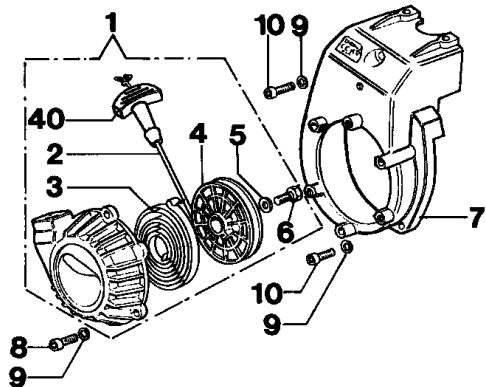
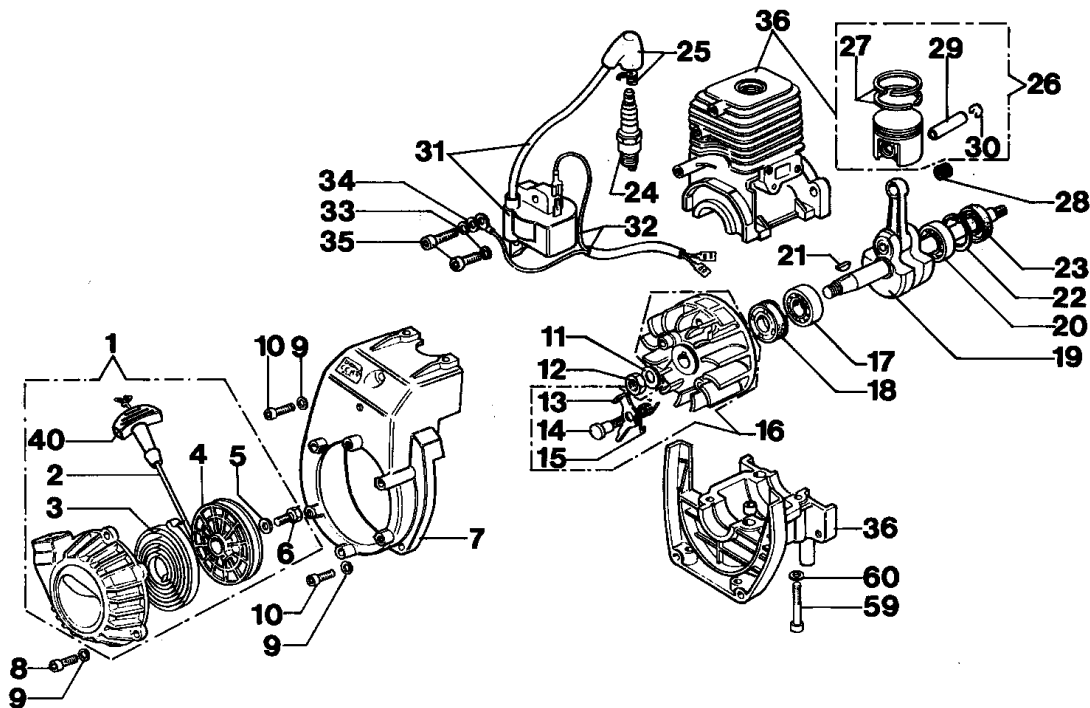
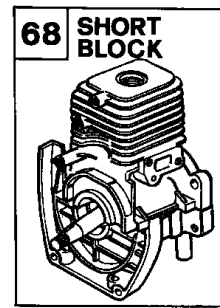
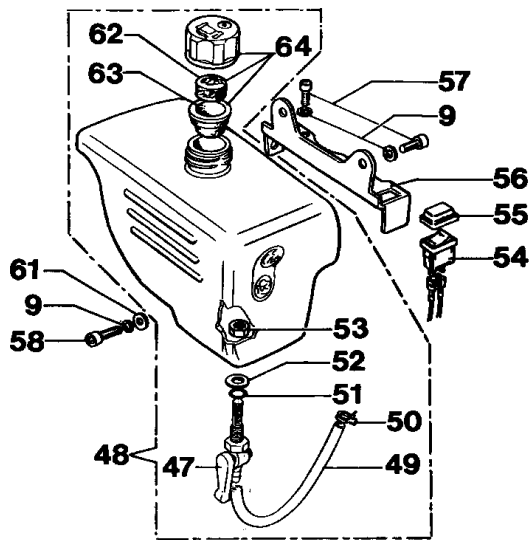


Drawing Starter assy and engine

---

| Refer<br>ence | Qty | Item number | Description                    |
|---------------|-----|-------------|--------------------------------|
| 1             | 1   | 4138439R    | Starter assy                   |
| 2             | 1   | 4098073R    | Starter rope                   |
| 3             | 1   | 004000132R  | Spring                         |
| 4             | 1   | 4138438BR   | Pulley                         |
| 5             | 1   | 3918006     | Washer                         |
| 6             | 1   | 3960111     | Screw                          |
| 7             | 1   | 4174165     | Cover                          |
| 8             | 3   | 3801010R    | Screw                          |
| 9             | 8   | 3819006     | Washer                         |
| 10            | 5   | 3801015     | Screw                          |
| 11            | 1   | 3916008R    | Washer                         |
| 12            | 1   | 3912009     | Nut                            |
| 13            | 2   | 4138441     | Pawl                           |
| 14            | 2   | 4161151     | Pin                            |
| 15            | 2   | 4161186A    | Spring                         |
| 16            | 1   | 4138446AR   | Flywheel                       |
| 17            | 1   | 3034011     | Bearing                        |
| 18            | 1   | 3050009     | Seal ring                      |
| 19            | 1   | 55010002    | Crankshaft                     |
| 20            | 1   | 3034014     | Bearing                        |
| 21            | 1   | 4098232R    | Key                            |
| 22            | 1   | 3025021     | Ring                           |
| 23            | 1   | 3050013     | Seal ring                      |
| 24            | 1   | 005000019   | Spark plug                     |
| 25            | 1   | 4098064     | Spark plug cap                 |
| 26            | 1   | 4138484A    | Piston assy Ø40                |
| 27            | 2   | 004000015R  | Piston ring Ø40                |
| 28            | 1   | 3037013     | Bearing                        |
| 29            | 1   | 4179036     | Piston pin                     |
| 30            | 2   | 004900061   | Ring                           |
| 31            | 1   | 4138722R    | Ignition coil                  |
| 32            | 1   | 55010016    | Cable                          |
| 33            | 2   | 3819005     | Washer                         |
| 34            | 2   | 3916004     | Washer                         |
| 35            | 2   | 3801003     | Screw                          |
| 36            | 1   | 55010018    | Crankcase assy                 |
| 37            | 1   | 2318651     | Carburetor SHA14-12G53 REG2250 |
| 38            | 1   | 300000034   | Manifold                       |
| 39            | 1   | 300000036   | Gasket                         |
| 40            | 1   | 4191020A    | Handle                         |
| 41            | 1   | 55010010    | Muffler                        |
| 42            | 1   | 4095211R    | Plate                          |
| 43            | 2   | 3806026     | Screw                          |
| 44            | 1   | 55010005    | Support                        |
| 45            | 1   | 55010011A   | Muffler cover                  |
| 46            | 1   | 4095036     | Gasket                         |
| 47            | 1   | 3055044A    | Cock                           |
| 48            | 1   | 55012007    | Fuel tank                      |
| 49            | 1   | 4100125     | Hose                           |



Drawing Starter assy and engine

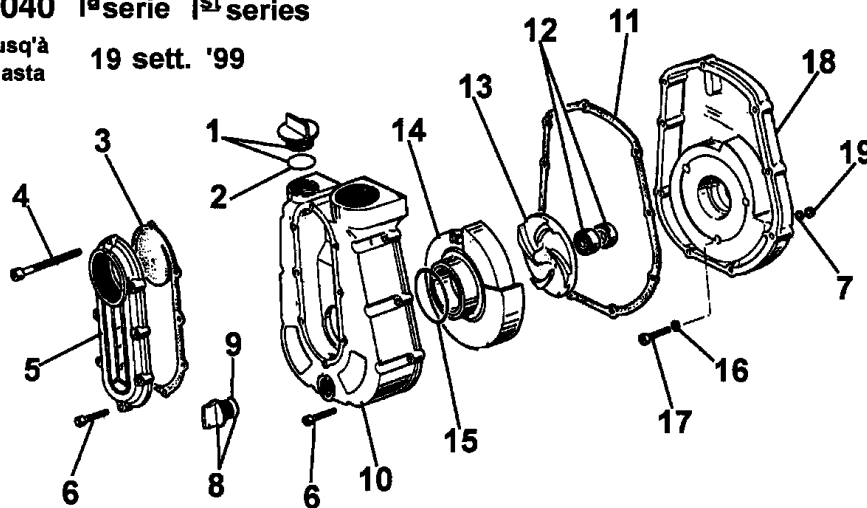
---

| Refer      | Qty | Item number | Description |
|------------|-----|-------------|-------------|
| ence<br>50 | 1   | 3059003     | Band        |
| 51         | 1   | 3049006R    | O-ring      |
| 52         | 1   | 3055098     | Washer      |
| 53         | 1   | 3912011     | Nut         |
| 54         | 1   | 2317021R    | Switch      |
| 55         | 1   | 2317013     | Guard       |
| 56         | 1   | 55010004    | Support     |
| 57         | 2   | 3801008     | Screw       |
| 58         | 1   | 3801011     | Screw       |
| 59         | 4   | 3801014     | Screw       |
| 60         | 6   | 3833073     | Washer      |
| 61         | 1   | 3916005     | Washer      |
| 62         | 1   | 4221015     | Filter      |
| 63         | 1   | 072700029   | Gasket      |
| 64         | 1   | 4221046     | Cap         |
| 65         | 3   | 4175080     | Screw       |
| 66         | 3   | 3819010     | Washer      |
| 67         | 3   | 3916006     | Washer      |
| 68         | 1   | 55010019    | Short block |

PA1040 - Motopompe  
Pompa - Carburatore

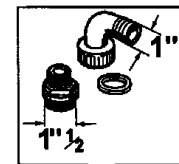
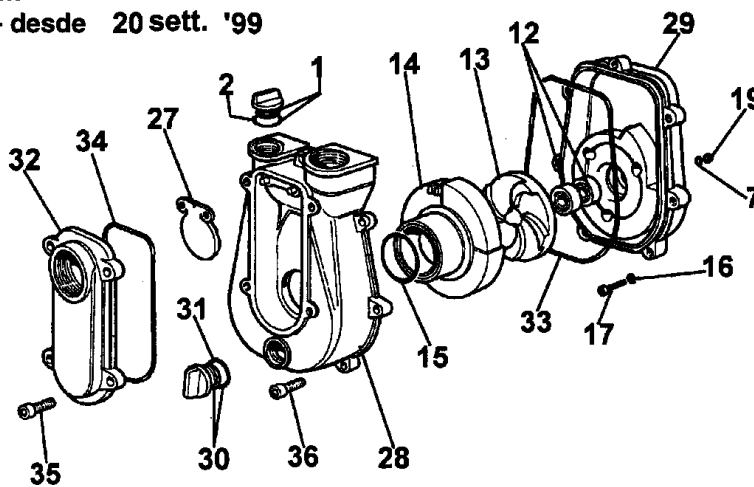
mod. PA 1040 I<sup>a</sup>serie I<sup>st</sup>series

fino al 19 sett. '99  
till hasta

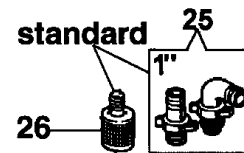


mod. PA 1040

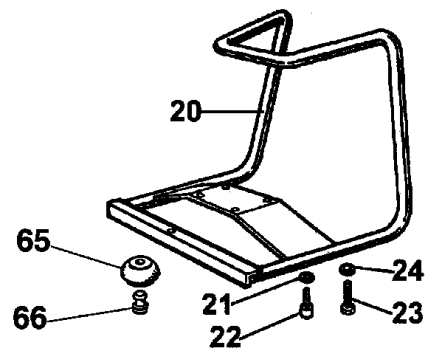
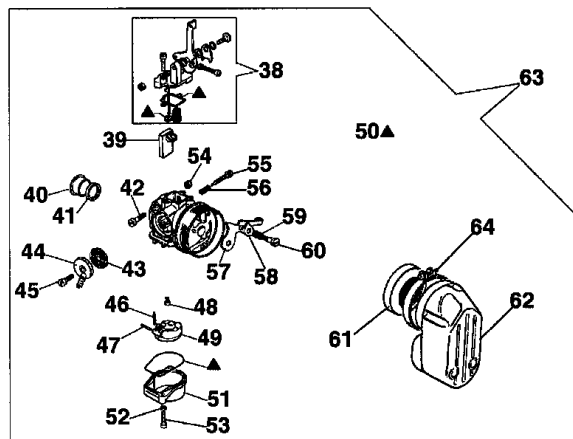
dal - from 20 sett. '99  
depuis - desde



37  
optional



standard



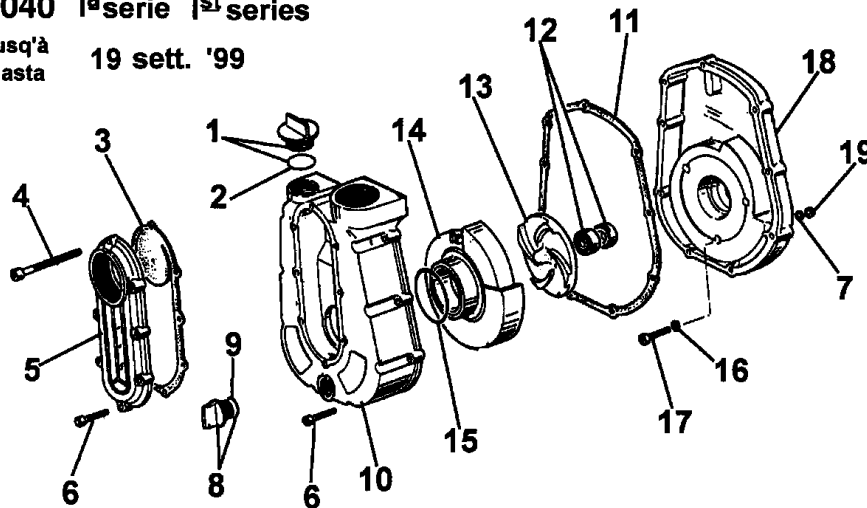
Drawing Pump - carburetor

| Refer<br>ence | Qty | Item number | Description  |
|---------------|-----|-------------|--------------|
| 1             | 1   | 320000001   | Cover        |
| 2             | 1   | 3049019     | O-ring       |
| 3             | 1   | 321000011   | Gasket       |
| 4             | 1   | 321000002   | Screw        |
| 5             | 1   | 321000046   | Cover        |
| 6             | 15  | 3801015     | Screw        |
| 7             | 4   | 3916005     | Washer       |
| 8             | 1   | 310000010   | Cap          |
| 9             | 1   | 3049018     | O-ring       |
| 10            | 1   | 321000044   | Body         |
| 11            | 1   | 321000009   | Gasket       |
| 12            | 1   | 321000004   | Seal ring    |
| 13            | 1   | 321000007   | Impeller     |
| 14            | 1   | 321000006   | Volute       |
| 15            | 1   | 321000003   | O-ring       |
| 16            | 3   | 341000004   | Washer       |
| 17            | 3   | 3801016     | Screw        |
| 18            | 1   | 321000045   | Cover        |
| 19            | 3   | 3912005     | Nut          |
| 20            | 1   | 55010006    | Frame        |
| 21            | 2   | 3819006     | Washer       |
| 22            | 2   | 3801009     | Screw        |
| 23            | 2   | 3806063     | Screw        |
| 24            | 2   | 3819013     | Washer       |
| 25            | 1   | 341000016A  | Fittings set |
| 26            | 1   | 341000017   | Filter       |
| 27            | 1   | 321000052   | Valve        |
| 28            | 1   | 321000051   | Pump body    |
| 29            | 1   | 321000050   | Cover        |
| 30            | 1   | 321000053   | Cap          |
| 31            | 1   | 094500054   | Gasket       |
| 32            | 1   | 321000049   | Cover        |
| 33            | 1   | 3049027     | O-ring       |
| 34            | 1   | 3049028     | O-ring       |
| 35            | 4   | 3960077     | Screw        |
| 36            | 7   | 3801024     | Screw        |
| 37            | 1   | 341000102   | Fittings     |
| 38            | 1   | 300000074   | Lever group  |
| 39            | 1   | 302000157   | Valve        |
| 40            | 1   | 300000266   | Bushing      |
| 41            | 1   | 300000267   | Gasket       |
| 42            | 1   | 3801026     | Screw        |
| 43            | 1   | 300000217   | Fuel filter  |
| 44            | 1   | 300000216   | Fittings     |
| 45            | 1   | 300000215   | Screw        |
| 46            | 1   | 300000222   | Needle       |
| 47            | 1   | 300000225   | Pin          |
| 48            | 1   | 2318652     | Jet 53       |
| 49            | 1   | 300000198   | Float        |

PA1040 - Motopompe  
Pompa - Carburatore

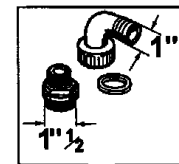
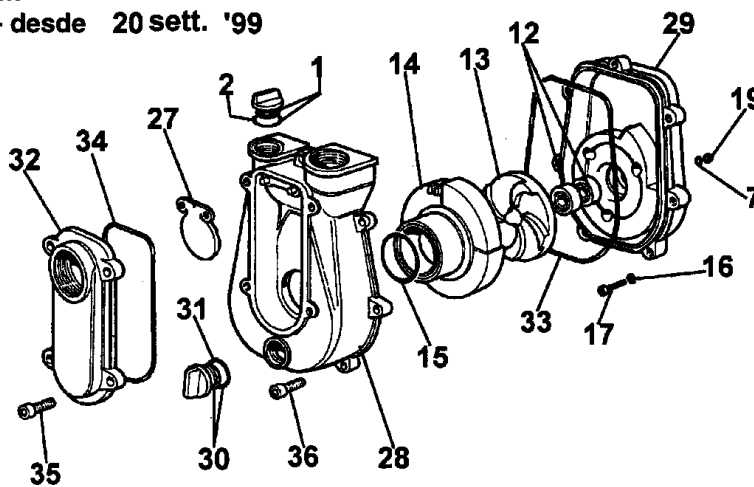
mod. PA 1040 I<sup>a</sup>serie I<sup>st</sup>series

fino al 19 sett. '99  
till hasta

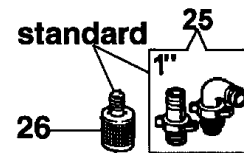


mod. PA 1040

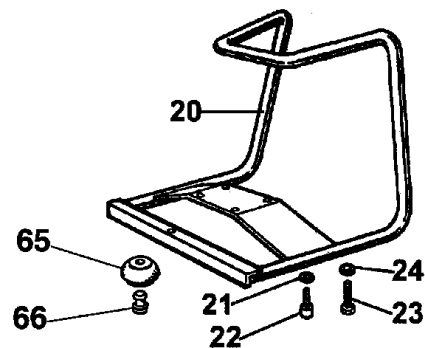
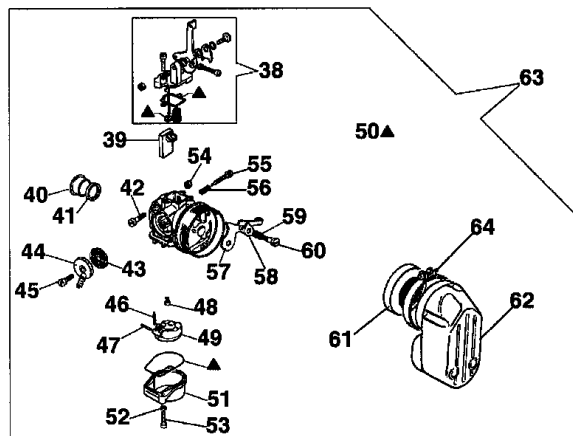
dal - from 20 sett. '99  
depuis - desde



37  
optional



standard



Drawing Pump - carburetor

---

| Reference | Qty | Item number | Description                    |
|-----------|-----|-------------|--------------------------------|
| 50        | 1   | 300000073   | Gasket set                     |
| 51        | 1   | 300000079   | Tank                           |
| 52        | 2   | 006000315   | Washer                         |
| 53        | 2   | 3908005     | Screw                          |
| 54        | 1   | 034000013   | Nut                            |
| 55        | 1   | 300000221   | Screw                          |
| 56        | 1   | 300000220   | Spring                         |
| 57        | 1   | 300000195   | Starter lever                  |
| 58        | 1   | 300000226   | Clamp                          |
| 59        | 1   | 300000227   | Spring                         |
| 60        | 1   | 300000228   | Pin                            |
| 61        | 1   | 300000230   | Air filter                     |
| 62        | 1   | 2318198     | Air filter                     |
| 63        | 1   | 2318651     | Carburetor SHA14-12G53 REG2250 |
| 64        | 1   | 301000247   | Band                           |
| 65        | 4   | 005200228   | Support                        |
| 66        | 4   | 4221012     | Pin                            |