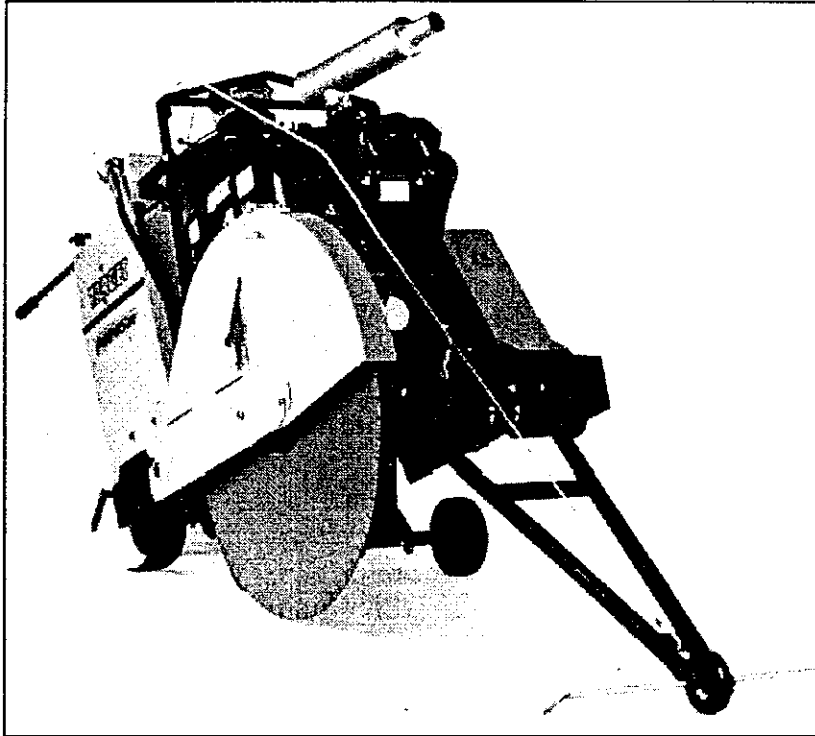


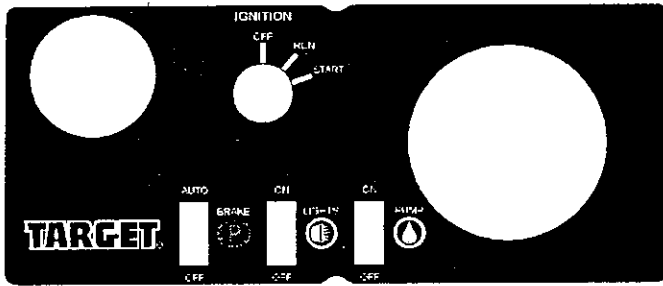
OPERATING INSTRUCTIONS  
INSTRUCCIONES DE OPERACIÓN



**PRO 35III**  
**PRO 40III**  
**PRO 65III** (Shown)

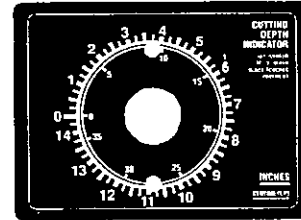
**TARGET®**

# DECAL DESCRIPTIONS AND LOCATIONS DESCRIPCIÓN DE CALCAMONIAS Y UBICACIONES



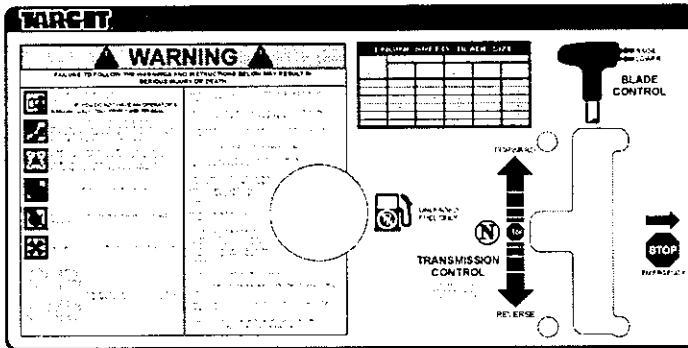
## INSTRUMENT PANEL

P/N 176578 (Pro 65 III Premium or Pro 40 III)  
 P/N 183080 (Pro 65 III Basic)  
 P/N 176583 (Pro 35 III Gas - shown)  
 P/N 176724 (Pro 35 III Diesel)  
 P/N 176976 (Pro 35 III Electric)



## DEPTH INDICATOR

P/N 163694 (Pro 65 III)  
 P/N 163694 (Pro 40 III - shown)  
 P/N 166037 (Pro 35 III)



## OPERATING INSTRUCTIONS, TOP OF COWL

P/N 183126 (Pro 65 III - shown)  
 P/N 183134 (Pro 40 III)  
 P/N 183132 (Pro 35 III Gas or Diesel)  
 P/N 183133 (Pro 35 III Electric)



**WARNING:** P/N 176223 (Quantity 2) (All Models)  
 1) Rear of cowl above opening to transmission, Top of Frame  
 2) Left Side of Engine by Lift Bail Mount



**TOP OF BLADE GUARD**  
 P/N 046128 (All Models)



**BATTERY**  
 P/N 167350 (All Models)



**DEPTH STOP: TOP OF COWL**  
 P/N 163233 (All Models)



**TOP OF FRAME BETWEEN BLADESHAFT BEARINGS**  
 P/N 166669  
 (Quad Sealed Bearings ONLY)  
 (Pro 65III Premium)



P/N 040563  
 (Standard Ball Bearings ONLY)  
 (Pro 65III Basic, Pro 40III, 35III)

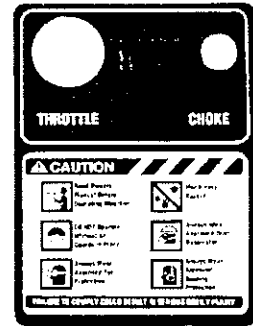
# DECAL DESCRIPTIONS AND LOCATIONS DESCRIPCIÓN DE CALCAMONIAS Y UBICACIONES



**WATER SAFETY SWITCH**  
Inside Dash  
P/N 046457 (All Models)



**AXLE ADJUSTMENT:**  
Left Rear, Frame Base  
P/N 163246 (All Models)



**THROTTLE / CHOKE**  
Right of Depth Indicator  
P/N 166035  
(All Models except Pro 35III E)



**BLADE ROTATION DIRECTION**  
Top of Blade Guard  
P/N 167289 (All Models)



**Next to Fuel Cap**  
P/N 167129 (Pro 35III - Diesel)



P/N 166092: Rear of Cowl  
P/N 163515 with Stripe: Left and Right Sides of Cowl (Qty 2)  
(All Models)



P/N 176705: Pro 35 III  
Left and Right Sides of Cowl (Qty 2)

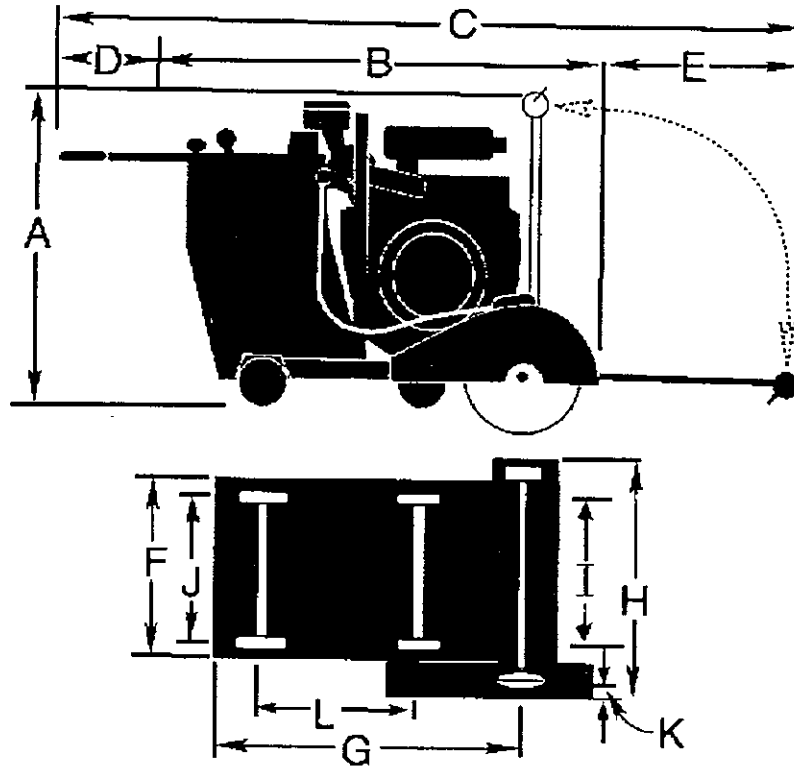


P/N 176715: Pro 40 III  
Left and Right Sides of Cowl (Qty 2)



P/N 176704: Pro 65 III  
Left and Right Sides of Cowl (Qty 2)

# SAW DIMENSIONS



ITEM	DESCRIPTION - inch (mm)	Pro 65III	Pro 40III	Pro 35III
A	Height	51 (1295)	51 (1295)	51 (1295)
B	Minimum Saw Length (Handles In, Pointer Up, Guard Up)	56-1/4 (1429)	56-1/4 (1429)	52 (1321)
C	Maximum Overall Length (Handles Extended, Pointer Down)	132-3/8 (3362)	132-3/8 (3362)	111 (2819)
D	Handle Extension	30 (762)	30 (762)	30 (762)
E	Maximum Pointer Extension	38 (965)	38 (965)	37 (940)
F	Frame Width	28-7/8 (733)	28-7/8 (733)	23-7/8 (606)
G	Frame Length	47-1/4 (1200)	47-1/4 (1200)	39-1/2 (1003)
H	Saw Width	36-1/2 (927)	36-1/2 (927)	31-3/4 (806)
I	Front Axle Length	23-3/8 (594)	23-3/8 (594)	20 (508)
J	Rear Axle Length	24-1/4 (616)	24-1/4 (616)	21 (533)
K	Blade to Wall	2-7/8 (73)	2-7/8 (73)	1-7/8 (48)
L	Wheel Base Length	23-1/2 (597)	23-1/2 (597)	18-1/4 (464)
M	Blade Shaft Maximum Height	19-3/8 (492)	19-3/8 (492)	15-1/2 (394)
	Center to Center Wheel Width - Front	22-7/8 (581)	22-7/8 (581)	19-7/8 (505)
	Center to Center Wheel Width - Rear	24-1/4 (616)	24-1/4 (616)	21-3/8 (543)
	Outside to Outside Wheel Width - Front	25-1/4 (641)	25-1/4 (641)	21-13/16 (554)
	Outside to Outside Wheel Width - Rear	27-1/4 (692)	27-1/4 (692)	23-3/8 (594)
	Inner Flange to Inner Flange	31-3/16 (792)	31-3/16 (792)	26-3/8 (700)
	Saw Length (Pointer Up, Handles Extended)	84-1/4 (2140)	81-1/4 (2140)	82 (2083)
	Maximum Overall Height (Pointer Up)	52 (1321)	52 (1321)	52 (1321)
	Wheel Base	22-7/8 (581)	22-7/8 (581)	17-7/8 (454)
	Guard to Handle Length (Handles In)	64-7/8 (1648)	64-7/8 (1648)	60-1/2 (1537)
	Maximum Overall Length (Handle In)	102-3/8 (2600)	102-3/8 (2600)	87-1/2 (2223)
	Minimum Fixed Width	34-1/4 (870)	34-1/4 (870)	29 (737)
	Crated Dimension: (L x H x W)	64" x 56-1/2" x 42"	64" x 56-1/2" x 42"	57-1/2" x 33" x 49"
		(1626 x 1435 x 1067mm)		(1461 x 838 x 1245mm)

# PRO 65 III SPECIFICATIONS

<b>Model No:</b>	<b>18W</b>	<b>26W</b>	<b>30W</b>	<b>36W</b>	<b>48W</b>	<b>SCPL20G</b>
<b>Basic Model:</b>	C50185	C50187	C50189	C50191	N/A	N/A
<b>Basic w/Water Pump:</b>	C50186	C50188	C50190	C50192	N/A	N/A
<b>Model No:</b>	<b>18S</b>	<b>26S</b>	<b>30S</b>	<b>36S</b>	<b>48W</b>	<b>SCPL20G</b>
<b>Premium w/Quad Sealed Bearing and QDS</b>	C50193	C50195	C50197	C50199	N/A	N/A
<b>Premium w/Quad Sealed Bearing, QDS and Water Pump</b>	C50194	C50196	C50198	C50200	C50201	C50202

## STANDARD SAW FEATURES

	18"	26"	30"	36"	48"	18" / 20"
<b>Blade Guard Capacity:</b>	18" (450mm)	26" (650mm)	30" (750mm)	36" (900mm)	48" (1200mm)	18" / 20" (450mm / 508mm)
<b>Bladeshaft RPM:</b>	2750	1750	1400	1400	950	2750
<b>Max. Depth Of Cut:</b>	6-1/2" (16.5cm)	10-1/2" (26.7cm)	12" (30.5cm)	15" (38.1cm)	20" (50.8cm)	1-3/4" (4.5cm)

<b>Arbor Size:</b>	1" (25.4mm) with drive pin, blade can be mounted on either side of shaft (two drive pins)					
<b>Blade Shaft:</b>	1-3/4" (44.5mm) diameter with quick disconnect flanges					
<b>Blade Shaft Bearings:</b>	Basic: Dual self-aligning pillow block ball bearings Premium: Dual self-aligning quad sealed bearings					
<b>Blade Shaft Drive:</b>	Basic: 18" (8) single groove 3VX V-belts; --- 26", 30", 36": (10) 3VX V-belts Premium: 18" --- (2) 4 groove 3VX banded V-belts; 26", 30", 36", 48" --- (2) 5 groove 3VX banded V-Belts SCPL: (2) 5-groove 3VX banded belts					
<b>Blade Control:</b>	Electro-hydraulic pump raises and lowers blade; positive depth stop, cutting depth indicator. Quick-Lift blade raising and lowering button on the speed control lever.					
<b>Blade Coolant:</b>	Water					
<b>Axles:</b>	<b>Front</b>	1-1/2" (38.1mm) diameter				
	<b>Rear</b>	1-1/4" (31.8mm) diameter				
<b>Wheels:</b>	<b>Front</b>	8" x 2-1/2" x 1" (203 x 63.5 x 25.4mm); Roller bearings, solid rubber tires, neoprene grease seals, pressure lubrication fittings provided				
	<b>Rear</b>	10" x 3" (254 x 76mm) quick release; solid rubber tread				
<b>Transmission:</b>	Basic: Hydrostatic Transmission with sealed gearbox and single chain final drive, neutral safety start switch Premium: Neutral and neutral safety start switch, parking brake, single control handle for neutral and forward/stop/reverse.					
<b>Speed:</b>	Infinite speed 0 to 250 FPM forward and reverse					
<b>Brake:</b>	Spring applied; Hydraulic pressure release; Caliper and Disc brakes					
<b>Chassis:</b>	Heavy-Duty, rigid, box and channel section construction					
<b>Weight - lb. (kg)</b>						
<b>Crated:</b>	1,443 (646)	1,465 (656)	1,486 (666)	1,517 (680)	1,872 (839)	1,486 (666)
<b>Uncrated:</b>	1,346 (603)	1,368 (613)	1,389 (622)	1,420 (636)	1,783 (798)	1,389 (622)
<b>Add for:</b>	<b>Pump</b>	10 (4.5)	10 (4.5)	10 (4.5)	10 (4.5)	10 (4.5)
	<b>Deluxe Spotlight</b>	7 (3)	7 (3)	7 (3)	7 (3)	7 (3)

# PRO 40 III SPECIFICATIONS

<b>MODEL NO:</b>	<b><u>18S</u></b>	<b><u>26S</u></b>	<b><u>30S</u></b>
Item Number:	C90071	C90072	C90073
Item No. w/Water Pump	C90074	C90075	C90076

## **STANDARD SAW FEATURES**

<b>Blade Guard Capacity: in (mm)</b>	18 (450)	26 (650)	30 (750)
<b>Bladeshaft RPM:</b>	2750	1850	1700
<b>Max. Depth Of Cut: in (cm)</b>	6-1/2 (16.5)	10-1/2 (26.7)	12 (30.5)

<b>Arbor Size:</b>	1" (25.4mm) with drive pin, blade can be mounted on either side of shaft (two drive pins)		
<b>Blade Shaft:</b>	1-3/4" (44.5mm) diameter with quick disconnect flanges		
<b>Blade Shaft Bearings:</b>	Dual self-aligning pillow block ball bearings		
<b>Blade Shaft Drive:</b>	Seven (7) 3VX V-Belts		
<b>Blade Control:</b>	Electro-hydraulic pump raises and lowers blade; Positive depth stop; Cutting depth indicator; Quick-Lift blade raising and lowering button on the speed control lever.		
<b>Blade Coolant:</b>	Water; Zinc plated dual multiple-jet water spray tubes; Water supply connector located at left rear of saw; Separate water control valves on each side of the saw.		
<b>Axles:</b>	<b>Front</b>	1-1/2" (38.1mm) diameter	
	<b>Rear</b>	1-1/4" (31.8mm) diameter	
<b>Wheels:</b>	<b>Front</b>	8" x 2-1/2" x 1" (203 x 63.5 x 25.4mm); Roller bearings; Solid rubber tires; Neoprene grease seals; Pressure lubrication fittings provided	
	<b>Rear</b>	10" x 3" (254 x 76mm) quick release; Solid rubber tread	
<b>Transmission:</b>	Hydrostatic Transmission with sealed gearbox and single chain final drive; Neutral and neutral safety start switch; Parking brake; Single control handle for neutral and forward/stop/reverse.		
	<b>Speed</b>	Infinite speed 0 to 250 FPM forward and reverse	
<b>Brake:</b>	Spring applied; Hydraulic pressure release; Caliper and Disc brakes		
<b>Chassis:</b>	Heavy-Duty, rigid, box and channel section construction		

<b>Weight - lb. (kg)</b>				
<b>Crated:</b>		1,430 (640)	1,460 (654)	1,483 (664)
<b>Uncrated:</b>		1,341 (601)	1,363 (611)	1,394 (625)
<b>Add for:</b>	<b>Pump</b>	10 (4.5)	10 (4.5)	10 (4.5)
	<b>Deluxe Spotlight</b>	7 (3)	7 (3)	7 (3)

# PRO 35 III SPECIFICATIONS

MODEL NO:	<u>18S</u>	<u>26S</u>	<u>18S</u>	<u>26S</u>	<u>30S</u>
	<u>Gas</u>	<u>Gas</u>	<u>Diesel</u>	<u>Diesel</u>	<u>Diesel</u>
Item Number:	C80155	C80157	C80159	C80161	C80163
Item No. w/Water Pump:	C80156	C80158	C80160	C80162	C80164

## STANDARD SAW FEATURES

Blade Guard Capacity:	18" (450mm)	26" (650mm)	18" (450mm)	26" (650mm)	30" (750mm)
Bladeshaft RPM:	2750	1750	2750	1750	1520
Max. Depth Of Cut:	6-3/4" (17.15 cm)	10-3/4" (27.31 cm)	6-3/4" (17.15 cm)	10-3/4" (27.31 cm)	12-1/2" (31.8 cm)

**Arbor Size:** 1" (25.4mm) with drive pin, blade can be mounted on either side of shaft (two drive pins)

**Blade Shaft:** 1-7/16" (36.5mm) diameter with quick disconnect flanges

**Blade Shaft Bearings:** Dual self-aligning pillow block ball bearings

**Blade Shaft Drive:** Six(6) 3VX V-Belts

**Blade Control:** Electro-hydraulic pump raises and lowers blade; positive depth stop, cutting depth indicator. Quick-Lift blade raising and lowering button on the speed control lever.

**Blade Coolant:** Water; Zinc plated dual multiple-jet water spray tubes; Water supply connector located at left rear of saw; Separate water control valves on each side of the saw.

**Axles:** **Front** 1" (25.4mm) diameter  
**Rear** 1" (25.4mm) diameter

**Wheels:** **Front** 6" x 2" x 1" (152 x 51 x 25.4mm); roller bearings, solid polyurethane tires, neoprene grease seals, pressure lubrication fittings provided  
**Rear** 8" x 2" x 1" (203 x 51 x 25.4mm); keyway; solid rubber tread; mounted and keyed on axle shaft

**Transmission:** Hydrostatic Transmission with sealed gearbox and single chain final drive, neutral and neutral safety start switch, parking brake, single control handle for neutral and forward/stop/reverse.

**Speed** Infinite speed 0 to 220 FPM forward and reverse

**Brake:** Spring applied; Hydraulic pressure release; Caliper and Disc brakes.

**Chassis:** Heavy-Duty, rigid, box and channel section construction

### Weight - lb. (kg)

<b>Crated:</b>	1,043 (467)	1,053 (472)	1,208 (541)	1,208 (541)	1,218(553)
<b>Uncrated:</b>	970 (435)	980 (439)	1,135 (509)	1,135 (509)	1,145(519)
<b>Add for:</b> <b>Pump</b>	10 (4.5)	10 (4.5)	10 (4.5)	10 (4.5)	10 (4.5)
<b>Deluxe Spotlight</b>	7 (3)	7 (3)	7 (3)	7 (3)	7 (3)

# PRO 35 III ELECTRIC SPECIFICATIONS

<b>MODEL NO:</b>	<u>26S/230V</u>	<u>26S/460V</u>	<u>30S/230V</u>	<u>30S/460V</u>	<u>30S/575V</u>
<b>Item Number:</b>	C80166	C80165	C80168	C80167	C80169
<b>Item No. w/Water Pump:</b>	N/A	N/A	N/A	N/A	N/A

## STANDARD SAW FEATURES

<b>Blade Guard Capacity: in (mm):</b>	26" (650)	26" (650)	30" (750)	30" (750)	30" (750)
<b>Bladeshft RPM:</b>	1750	1750	1420	1420	1420
<b>Max. Depth Of Cut:</b>	10-3/4" (27.3 cm)	10-3/4" (27.3 cm)	12-1/2" (31.8 cm)	12-1/2" (31.8 cm)	12-1/2" (31.8 cm)
<b>Arbor Size:</b>	1" (25.4mm) with drive pin, blade can be mounted on either side of shaft (two drive pins)				
<b>Blade Shaft:</b>	1-7/16" (36.5mm) diameter				
<b>Blade Shaft Bearings:</b>	Dual self-aligning pillow block ball bearings				
<b>Blade Shaft Drive:</b>	Six(6) 3VX V-Belts				
<b>Blade Control:</b>	Electro-hydraulic pump raises and lowers blade; positive depth stop, cutting depth indicator. Quick-Lift blade raising and lowering button on the speed control lever.				
<b>Blade Coolant:</b>	Water; Zinc plated dual multiple-jet water spray tubes; Water supply connector located at left rear of saw; Separate water control valves on each side of the saw.				
<b>Axles:</b>	<b>Front</b>	1" (25.4mm) diameter			
	<b>Rear</b>	1" (25.4mm) diameter			
<b>Wheels:</b>	<b>Front</b>	6" x 2" x 1" (152 x 51 x 25.4mm); roller bearings, solid polyurethane tires, neoprene grease seals, pressure lubrication fittings provided			
	<b>Rear</b>	8" x 2" x 1" (203 x 51 x 25.4mm); keyway; solid rubber tread; mounted and keyed on axle shaft			
<b>Transmission:</b>	Hydrostatic Transmission with sealed gearbox and single chain final drive, neutral and neutral safety start switch, parking brake, single control handle for neutral and forward/stop/reverse.				
<b>Speed</b>	Infinite speed 0 to 220 FPM forward and reverse				
<b>Brake:</b>	Spring applied; Hydraulic pressure release; Caliper and Disc brakes.				
<b>Chassis:</b>	Heavy-Duty, rigid, box and channel section construction				
<b>Weight - lb. (kg)</b>					
<b>Crated:</b>	933 (423)				
<b>Uncrated:</b>	860 (390)				
<b>Add for:</b>	<b>Pump</b>	10 (4.5)			
	<b>Deluxe Spotlight</b>	7 (3)			

## POWER SOURCE

<b>Motor:</b>	Baldor	Baldor	Baldor	Baldor	Baldor
<b>Specifications:</b>	TEFC	TEFC	TEFC	TEFC	TEFC
<b>Rated HP:</b>	20	20	20	20	20
<b>Voltage:</b>	230	460	230	460	575
<b>Phase:</b>	3	3	3	3	3
<b>Cycles:</b>	60	60	60	60	60
<b>Full Load - Amp Rating:</b>	52A	26A	52A	26A	20.6A
<b>RPM:</b>	1760	1760	1760	1760	1760
<b>Frame Size:</b>	256T	256T	256T	256T	256T
<b>Wired For:</b>	230	460	230	460	575

# POWER SOURCE

	<u>Pro 65III</u>	<u>Pro 40 III</u>	<u>Pro 35III G</u>	<u>Pro 35III D</u>	<u>Pro 35III E</u>
<b>ENGINE / MOTOR:</b>	Wisconsin Gas Engine	Wisconsin Gas Engine	Wisconsin Gas Engine	Hatz Diesel	Baldor Electric Motor
<b>MODEL:</b>	V465	VG4D	W4-1770	Z-790	TEFC
<b>HORSEPOWER:</b>	65	37	35	28	20
<b>DISPLACEMENT:</b>	177 cu in (2.9 l)	154 cu in (4.96 l)	107.67 cu in (1.76 l)	77 cu in (1.26 l)	---
<b>BORE:</b>	3.75" (95.25mm)	3.5" (88.9mm)	3.25" (82.55mm)	3.54" (89.92mm)	---
<b>STROKE:</b>	4.00" (101.6mm)	4.00" (101.6mm)	3.25" (82.55mm)	3.94" (100.08mm)	---
<b>CYLINDERS / STROKE:</b>	4/4	4/4	4/4	2/4	---
<b>FUEL CAPACITY:</b>	9.75 Gal (36.67 l)	9.75 Gal (36.67 l)	6.75 Gal (25.38 l)	6.75 Gal (25.38 l)	---
<b>OIL CAPACITY:</b>	7 Qt. / 6.58 l	5 Qt. / 4.7 l	4 Qt. / 3.76 l	4.5 Qt. / 4.23 l	---
<b>AIR FILTER:</b>	Dry Type, 4 Stage	Dry Type, 4 Stage	Dry Type, 4 Stage	Dry Type, 4 Stage	---
<b>STARTER:</b>	Electric	Electric	Electric	Electric	---
<b>COOLANT:</b>	Air	Air	Air	Air	Air

# FIGURE 1 - WIRING DIAGRAM PRO 35III GASOLINE

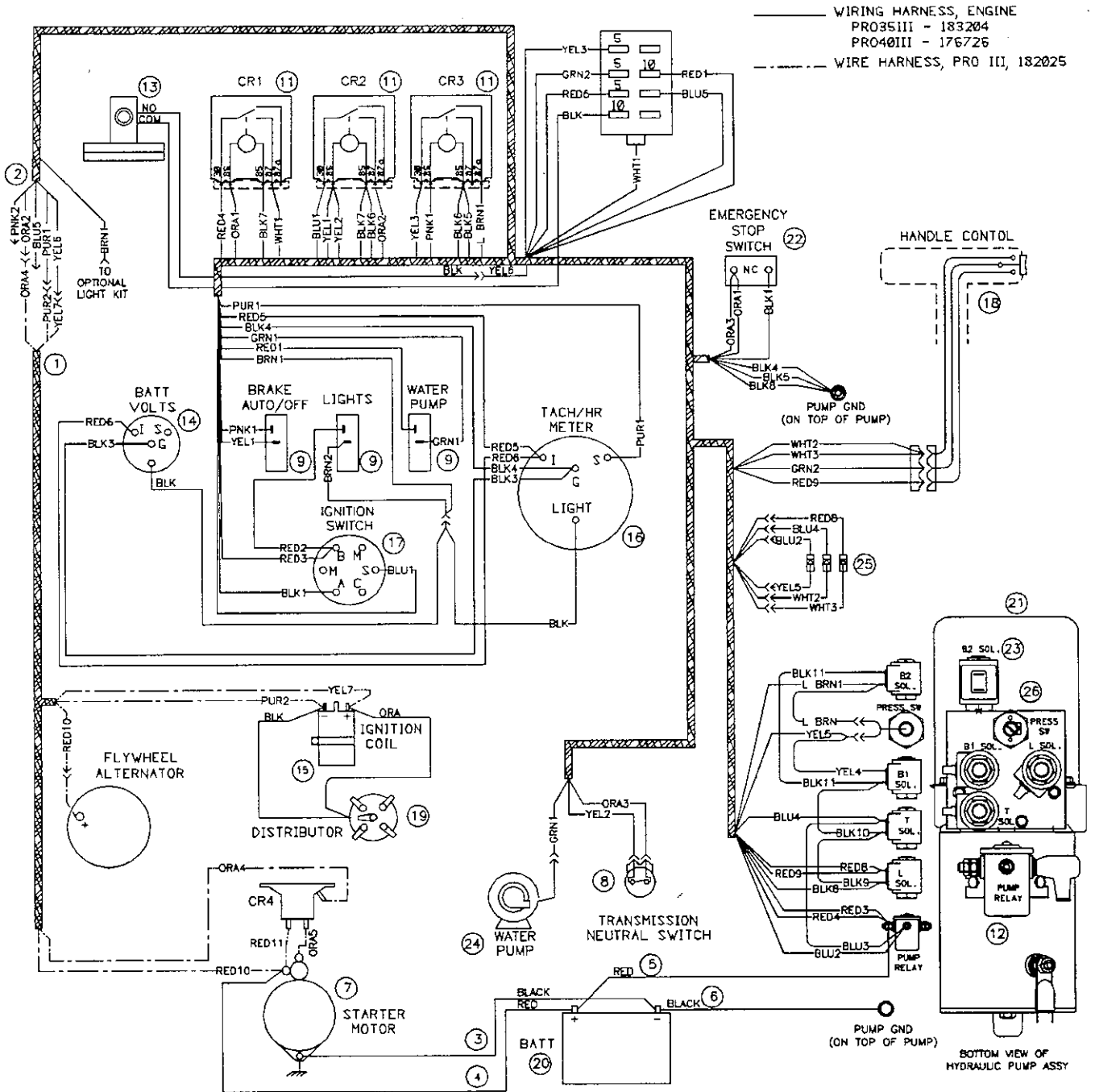
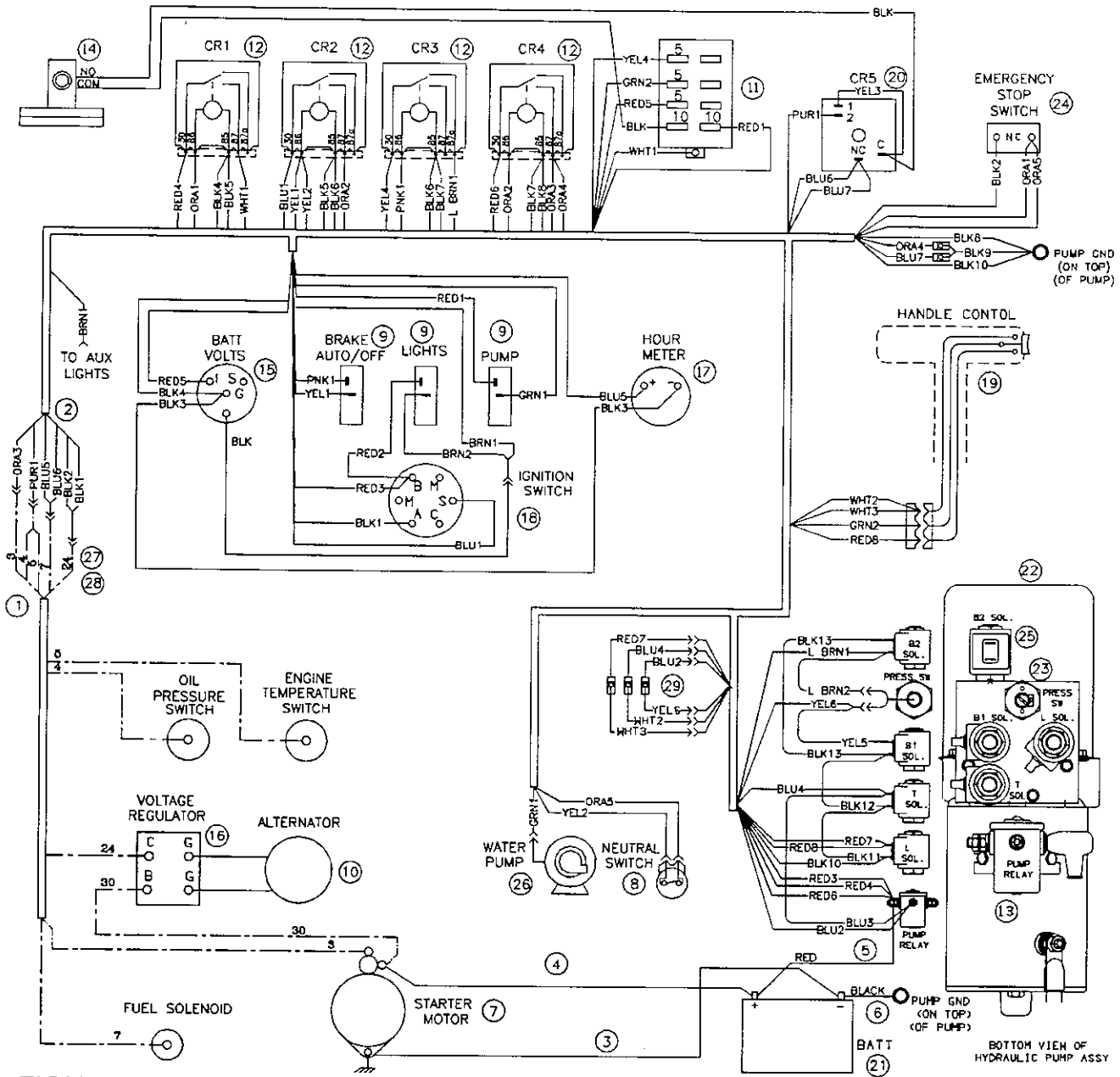


FIGURE 1 - PARTS LIST

DIAG. LOC.	PART NO.	QTY. REQ.	DESCRIPTION	DIAG. LOC.	PART NO.	QTY. REQ.	DESCRIPTION
1	183204	1	Wiring Harness, Engine	14	166438	1	Gauge, Battery Volts
2	182025	1	Wiring Harness, Cowl	15	-----	1	Coil, Ignition (Wisconsin #YF38B)
3	163179	1	Cable, Battery, Negative 40"	16	163665	1	Gauge, Tach. / Hour Meter
4	163180	1	Cable, Battery, Positive 52"	17	166707	1	Switch, Ignition
5	176838	1	Cable, Battery, Positive, Hyd. 8"	18	183135	1	Handle, Transmission/Lift Control
6	176714	1	Cable, Battery, Negative, Hyd. 13"	19	-----	1	Distributor (Wisconsin #YF50AS1)
7	-----	1	Starter (Wisconsin #YA53A)	20	163121	1	Battery, 12 Volt
8	166447	1	Switch, Neutral Safety	21	176992	1	Hydraulic Pump Assembly
9	166711	3	Switch Rocker	22	176383	1	Emergency Stop Switch
10	166622	1	Block, Fuse	23	166594	4	Coil - 12V DC
11	166708	3	Relay, N.O. N.C.	24	164977	1	Water Pump (Optional)
12	166121	1	Solenoid Relay	25	182036	1	Diode Assembly, Hyd. Brake
13	047136	1	Water Safety Switch	26	183007	1	Pressure Switch

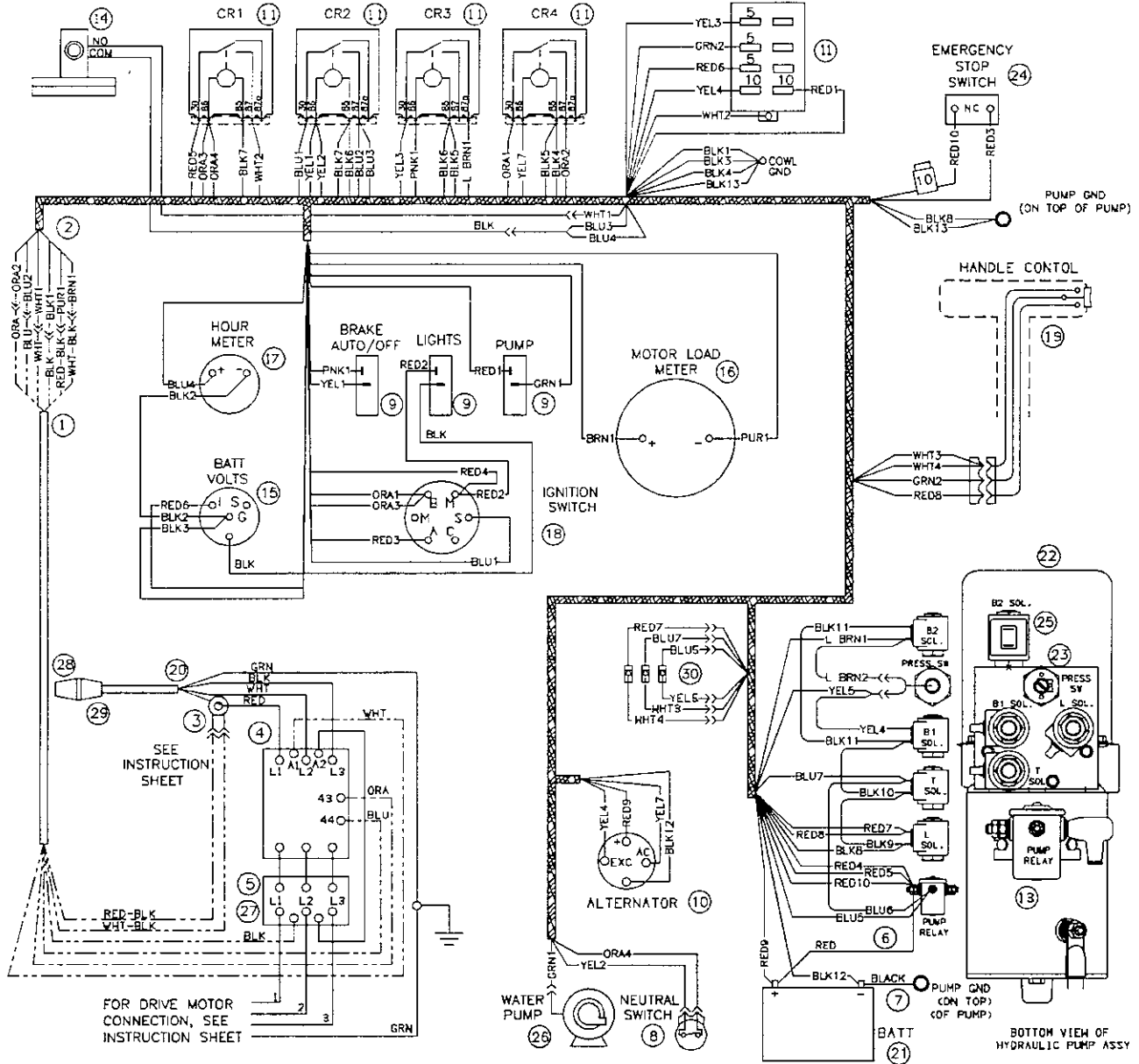
# FIGURE 2 - WIRING DIAGRAM PRO 35III DIESEL



## FIGURE 2 - PARTS LIST

DIAG. LOC.	PART NO.	QTY. REQ.	DESCRIPTION	DIAG. LOC.	PART NO.	QTY. REQ.	DESCRIPTION
1	-----	1	Wiring Harness, Engine	16	-----	1	Regulator, Voltage (Hatz #502 838 10)
2	183166	1	Wiring Harness, Cowl	17	163779	1	Gauge, Hour Meter
3	163179	1	Cable, Battery, Negative 40"	18	166707	1	Switch, Ignition
4	163180	1	Cable, Battery, Positive 52"	19	183135	1	Handle, Transmission/Lift Control
5	139261	1	Cable, Battery, Positive, Hyd. 8"	20	176778	1	Relay, Time Delay
6	166746	1	Cable, Battery, Negative, Hyd. 13"	21	163121	1	Battery, 12 Volt
7	-----	1	Starter (Hatz # 400 008 10)	22	176992	1	Hydraulic Pump Assembly
8	166447	1	Switch, Neutral Safety	23	183004	1	Switch, Hydraulic Pressure
9	166711	3	Switch Rocker	24	176383	1	Emergency Stop Switch
10	-----	1	Alternator (Hatz # 502 836 00)	25	166594	1	Coil - 12V DC
11	166622	1	Block, Fuse	26	164977	1	Water Pump (Optional)
12	166708	4	Relay, N.O. N.C.	27	176775	1	Socket, 6-Way Female
13	166121	1	Solenoid Relay	28	176776	4	Pins
14	047136	1	Water Safety Switch	29	182036	1	Diode Assembly, Hyd. Brake
15	166438	1	Gauge, Battery Volts				

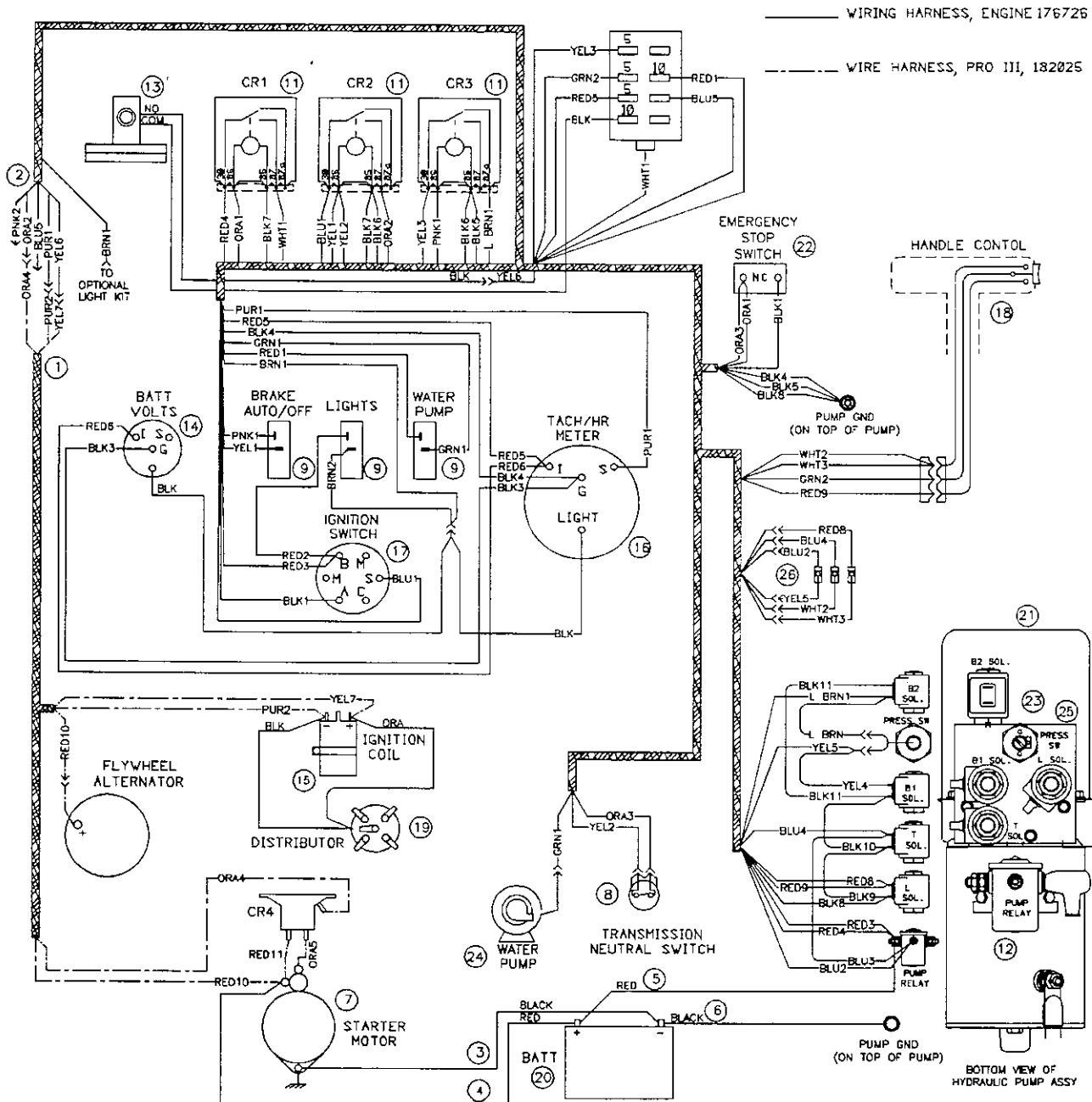
# FIGURE 3 - WIRING DIAGRAM PRO 35III ELECTRIC



## FIGURE 3 - PARTS LIST

DIAG. LOC.	PART NO.	QTY. REQ.	DESCRIPTION	DIAG. LOC.	PART NO.	QTY. REQ.	DESCRIPTION
1	176913	1	Cable, Control	20	176920	1	Cable, Supply
2	176905	1	Wiring Harness, Cowl	21	163121	1	Battery, 12 Volt
3	176914	1	Transformer, Current	22	176992	1	Hydraulic Pump Assembly
4	176915	1	Starter, Motor Control	23	183004	1	Switch, Hydraulic Pressure
5	176917	1	Overload Relay	24	176383	1	Emergency Stop Switch
6	139261	1	Cable, Battery, Positive, Hyd. 8"	25	166594	1	Coil - 12V DC
7	176714	1	Cable, Battery, Negative, Hyd. 18"	26	164977	1	Water Pump (Optional)
8	166447	1	Switch, Neutral Safety	27	176949	3	Overload Heater, 208V
9	166711	3	Switch Rocker	--	176948	3	Overload Heater, 230V
10	117154	1	Alternator	--	176947	3	Overload Heater, 460V
11	166622	1	Block, Fuse	--	176946	3	Overload Heater, 575V
12	166708	4	Relay, N.O. N.C.	28	176931	1	Connector, 208/230V
13	166121	1	Solenoid Relay	--	176942	1	Connector, 480V
14	047136	1	Water Safety Switch	--	176944	1	Connector, 575V
15	166438	1	Gauge, Battery Volts	29	176930	1	Plug, 208/230V
16	176918	1	Meter, Motor Load	--	176943	1	Plug, 480V
17	163779	1	Gauge, Hour Meter	--	176945	1	Plug, 575V
18	166707	1	Switch, Ignition	30	182036	1	Diode Assembly, Hyd. Brake
19	183135	1	Handle, Transmission/Lift Control				

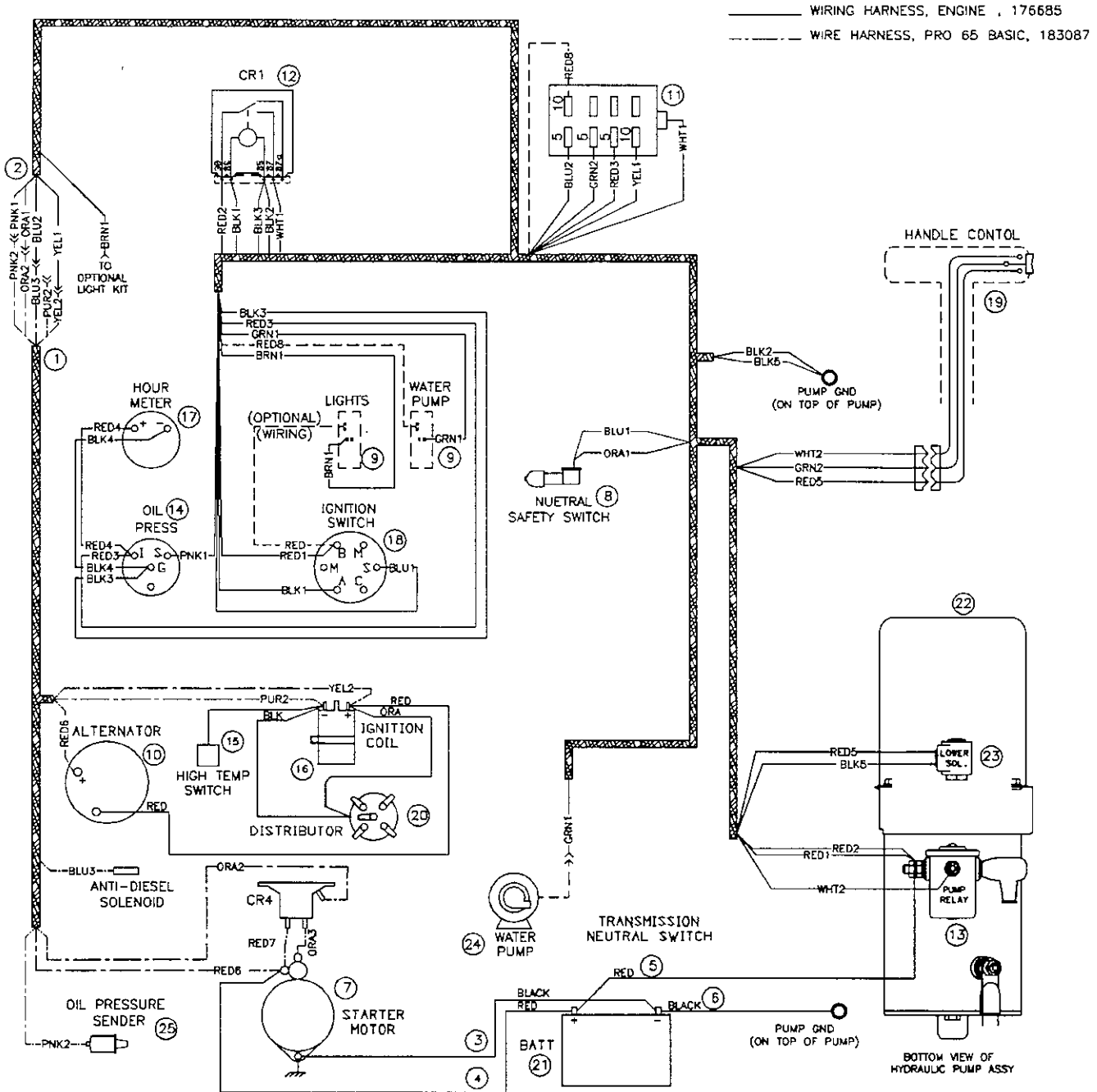
# FIGURE 4 - WIRING DIAGRAM PRO 40III



## FIGURE 4 - PARTS LIST

DIAG. LOC.	PART NO.	QTY. REQ.	DESCRIPTION	DIAG. LOC.	PART NO.	QTY. REQ.	DESCRIPTION
1	176726	1	Wiring Harness, Pro 40III Engine	14	166438	1	Gauge, Battery Volts
2	182025	1	Wiring Harness, Cowl	15	-----	1	Coil, Ignition (Wisconsin #YF38B)
3	163179	1	Cable, Battery, Negative 40"	16	163665	1	Gauge, Tach./Hour Meter
4	163180	1	Cable, Battery, Positive 52"	17	166707	1	Switch, Ignition
5	176838	1	Cable, Battery, Positive Hyd. 12"	18	183135	1	Handle, Transmission/Lift Control
6	176714	1	Cable, Battery, Negative Hyd. 18"	19	-----	1	Distributor (Wisconsin #YF50AS1)
7	-----	1	Starter (Wisconsin # YA53A)	20	163121	1	Battery, 12 Volt
8	166447	1	Switch, Neutral Safety	21	176992	1	Hydraulic Pump Assembly
9	166711	3	Switch, Rocker	22	176383	1	Emergency Stop Switch
10	166622	1	Block, Fuse	23	166594	4	Coil - 12V DC
11	166708	3	Relay, N.O. N.C.	24	164977	1	Water Pump (Optional)
12	166121	1	Solenoid Relay	25	183004	1	Pressure Switch
13	047136	1	Water Safety Switch	26	182036	1	Diode Assembly

# FIGURE 5 - WIRING DIAGRAM PRO 65III BASIC



## FIGURE 5 - PARTS LIST

DIAG. LOC.	PART NO.	QTY. REQ.	DESCRIPTION	DIAG. LOC.	PART NO.	QTY. REQ.	DESCRIPTION
1	176685	1	Wiring Harness, Engine	14	166360	1	Gauge, Oil Pressure
2	183087	1	Wiring Harness, Cowl	15	-----	1	High Temp. Safety Switch (Wisc. #YC66D)
3	163179	1	Cable, Battery, Negative 40"	16	-----	1	Coil, Ignition (Wisconsin #YF41AS1)
4	163180	1	Cable, Battery, Positive 52"	17	163779	1	Gauge, Hour Meter
5	176838	1	Cable, Battery, Positive, Hyd. 12"	18	166707	1	Switch, Ignition
6	176714	1	Cable, Battery, Negative, Hyd. 18"	19	183135	1	Handle, Transmission/Lift Control
7	-----	1	Starter (Wisconsin #YA60)	20	-----	1	Distributor (Wisconsin #YF10CS1)
8	176398	1	Switch, Neutral Safety	21	163121	1	Battery, 12 Volt
9	166711	1 ea.	Switch, Rocker (Optional)	22	166633	1	Hydraulic Pump Assembly
10	-----	1	Alternator (Wisconsin #YB69)	23	166594	1	Coil - 12V DC
11	166622	1	Block, Fuse	24	164977	1	Water Pump (Optional)
12	166708	1	Relay, N.O. N.C.	25	166361	1	Sender, Oil Pressure
13	166121	1	Solenoid Relay				

# FIGURE 6 - WIRING DIAGRAM PRO 65III PREMIUM

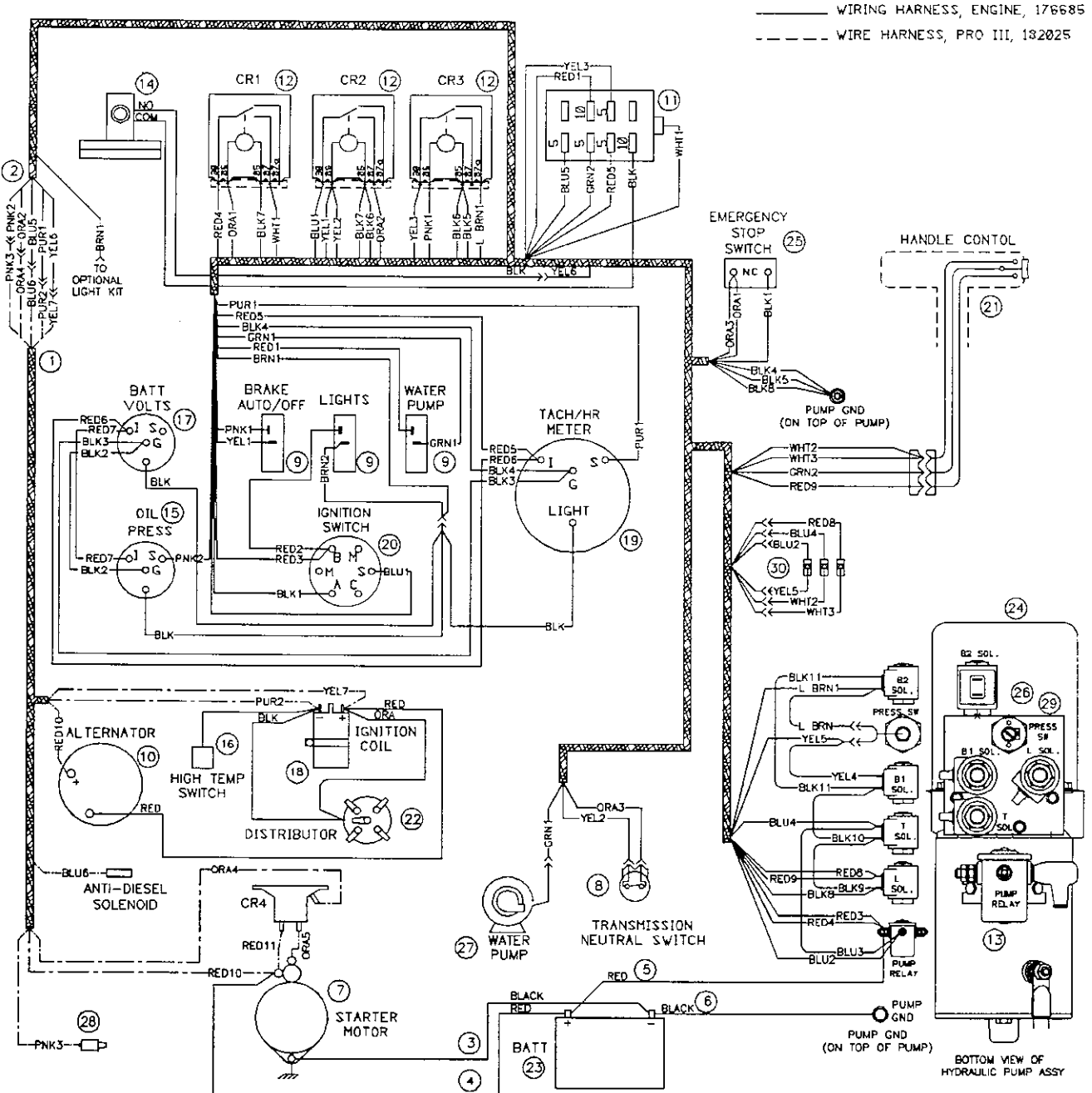


FIGURE 6 - PARTS LIST

DIAG. LOC.	PART NO.	QTY. REQ.	DESCRIPTION	DIAG. LOC.	PART NO.	QTY. REQ.	DESCRIPTION
1	176685	1	Wiring Harness, Engine	16	-----	1	High Temp. Safety Switch (Wis. #YC66D)
2	182025	1	Wiring Harness, Cowl	17	166438	1	Gauge, Battery Volts
3	163179	1	Cable, Battery, Negative 40"	18	-----	1	Coil, Ignition (Wisconsin #YF41AS1)
4	163180	1	Cable, Battery, Positive 52"	19	163665	1	Gauge, Tach. / Hour Meter
5	176838	1	Cable, Battery, Positive, Hyd. 12"	20	166707	1	Switch, Ignition
6	176714	1	Cable, Battery, Negative, Hyd. 18"	21	183135	1	Handle, Transmission/Lift Control
7	-----	1	Starter (Wisconsin #YA60)	22	-----	1	Distributor (Wisconsin #YF10CS1)
8	166447	1	Switch, Neutral Safety	23	163121	1	Battery, 12 Volt
9	166711	3	Switch Rocker	24	176992	1	Hydraulic Pump Assembly
10	-----	1	Alternator (Wisconsin #YB69)	25	176383	1	Emergency Stop Switch
11	166622	1	Block, Fuse	26	166594	4	Coil - 12V DC
12	166708	3	Relay, N.O. N.C.	27	164977	1	Water Pump (Optional)
13	166121	1	Solenoid Relay	28	166361	1	Oil Pressure Sender
14	047136	1	Water Safety Switch	29	183004	1	Pressure Switch
15	166360	1	Gauge, Oil Pressure	30	182036	1	Diode Assembly