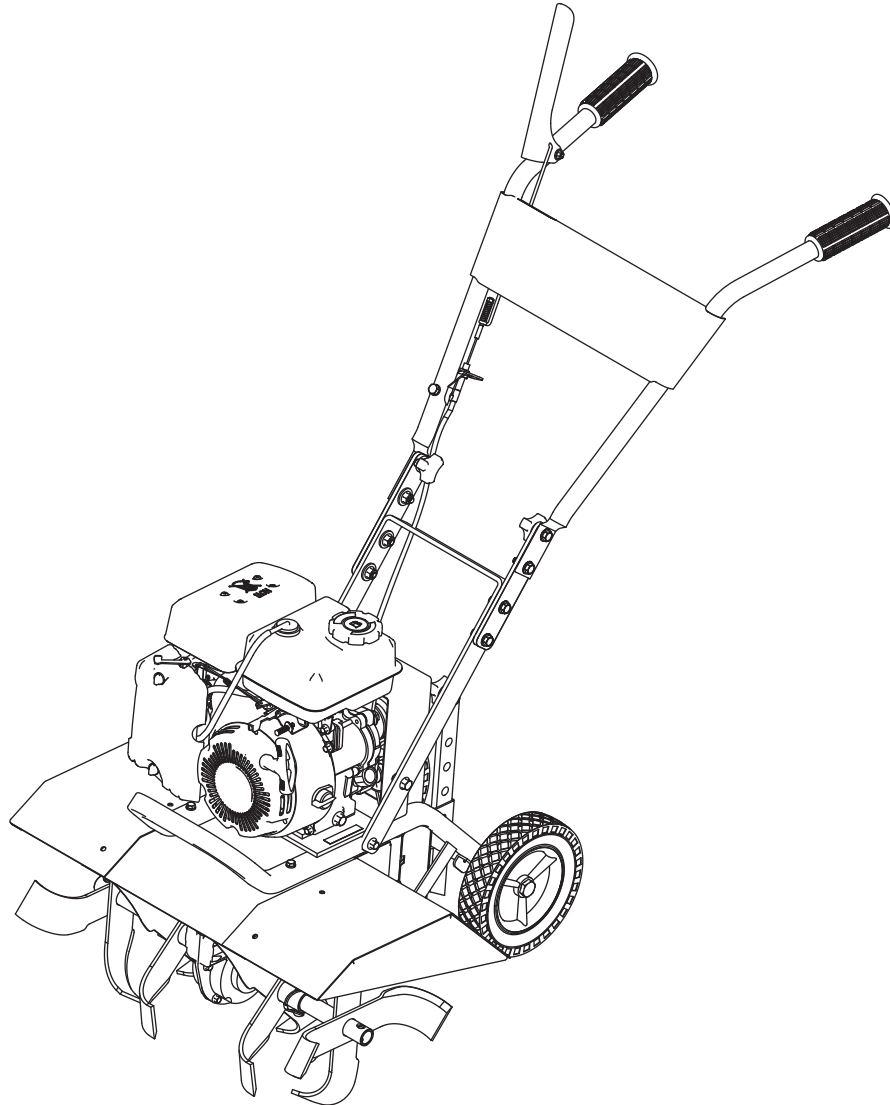



Earthquake[®]
POWERED CHORE EQUIPMENT

Operator's Manual
Original Operating Instructions

VECTOR[™]
Compact Tiller



Product #'s:

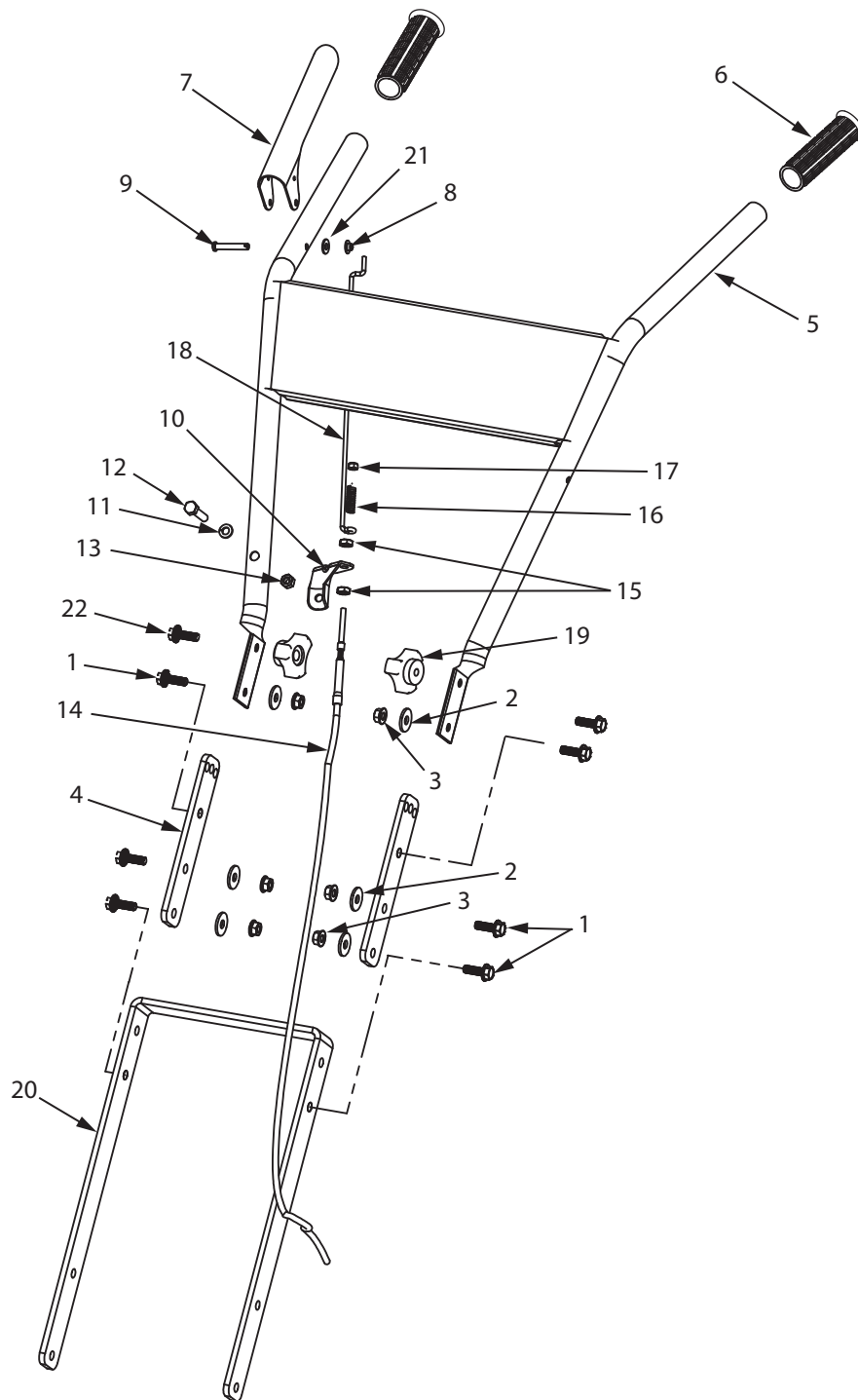
26750

14318 (CE)



P/N: 13278
ECN: 10647
REV8: 11/01/14
© 2014 Ardisam, Inc.
All Rights Reserved

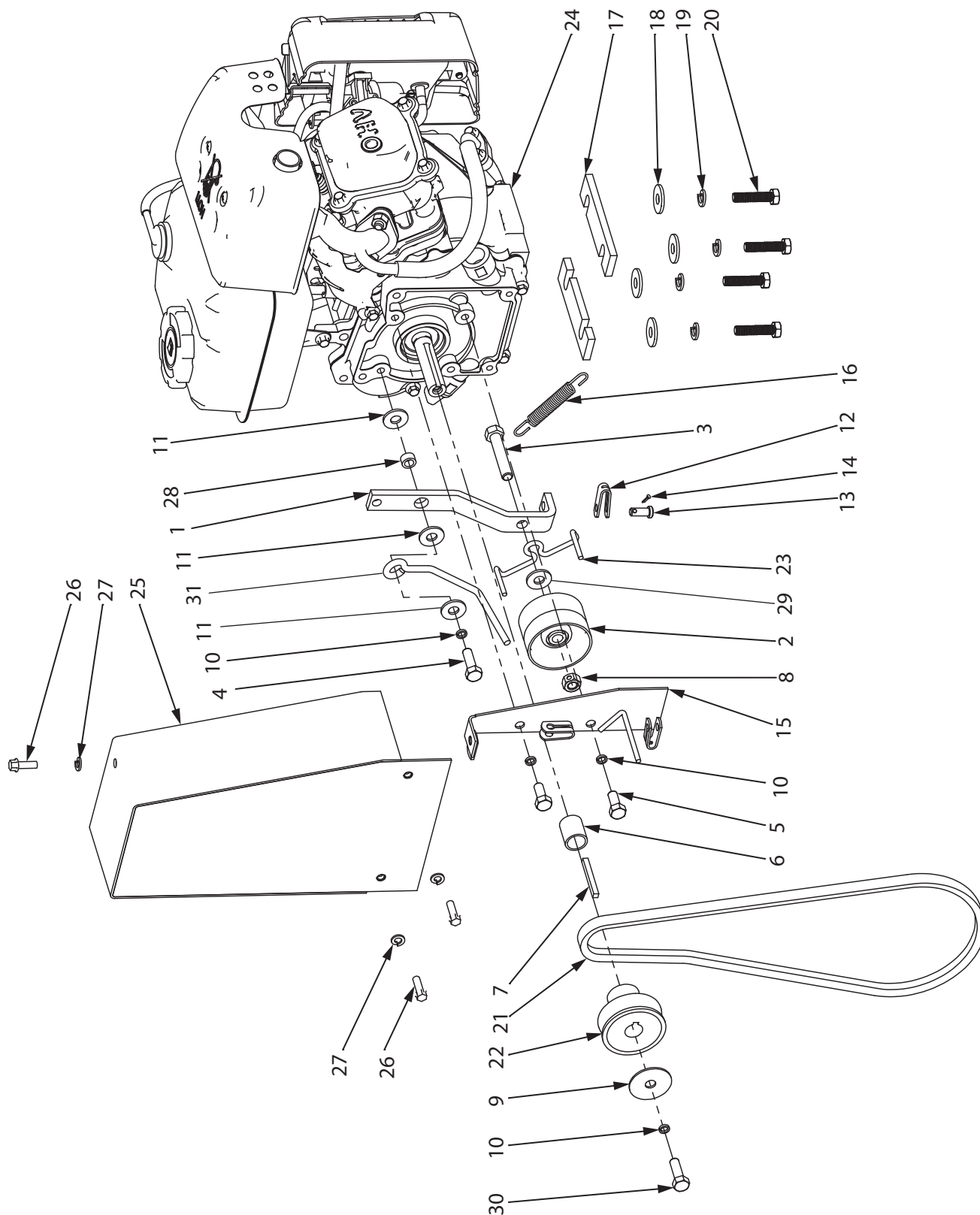
ILLUSTRATED PARTS BREAKDOWN - Handlebar Assembly



ILLUSTRATED PARTS BREAKDOWN - Handlebar Assembly

ITEM #	PART #	DESCRIPTION	QTY.
1	18135	BOLT M8 X 1.25 X 25 SFH GR8.8 ZN	6
2	3245	WASHER M8 8.4MM X 24MM X 2.2MM ZN	6
3	64132	NUT M8 X 1.25 HSF	6
4	18011	STRAP HANDLE BAR MIDDLE	2
5	13811	WELDMENT, HANDLEBAR FT PRO SERIES	1
6	13833	HANDLEBAR GRIP 1 IN ID	2
7	53650	LEVER CONTROL	1
8	3248	NUT M5 X 0.8 HFNYLK	1
9	13159	BOLT 60D X 32 SHLDR M5 X 7MM HH	1
10	53629	BRACKET CABLE MOUNT	1
11	504	LOCKWASHER-SPRING 5/16"	1
12	12770	BOLT M8 X 1.25 X 40MM HH	1
13	13508	NUT M8 1.0 HSF	1
14	13822	CABLE FT PULLEY 787MM SHEATH	2
15	4620	NUT M8 X 1.25 HJAM	1
16	53620	SPRING COMPRESSION FORWARD ARM	1
17	IN58	NUT 5M X 0.8 NYLOC	1
18	11397	LINK 260MM LONG	1
19	13601	KNOB M8 THREE STAR	2
20	18010	HANDLEBAR LOWER STRAP	1
21	3308	WASHER FLAT M5 5.3 X 10 X 1.0	1
22	13906	BOLT M8 X 1.25 X 20 SFH	2

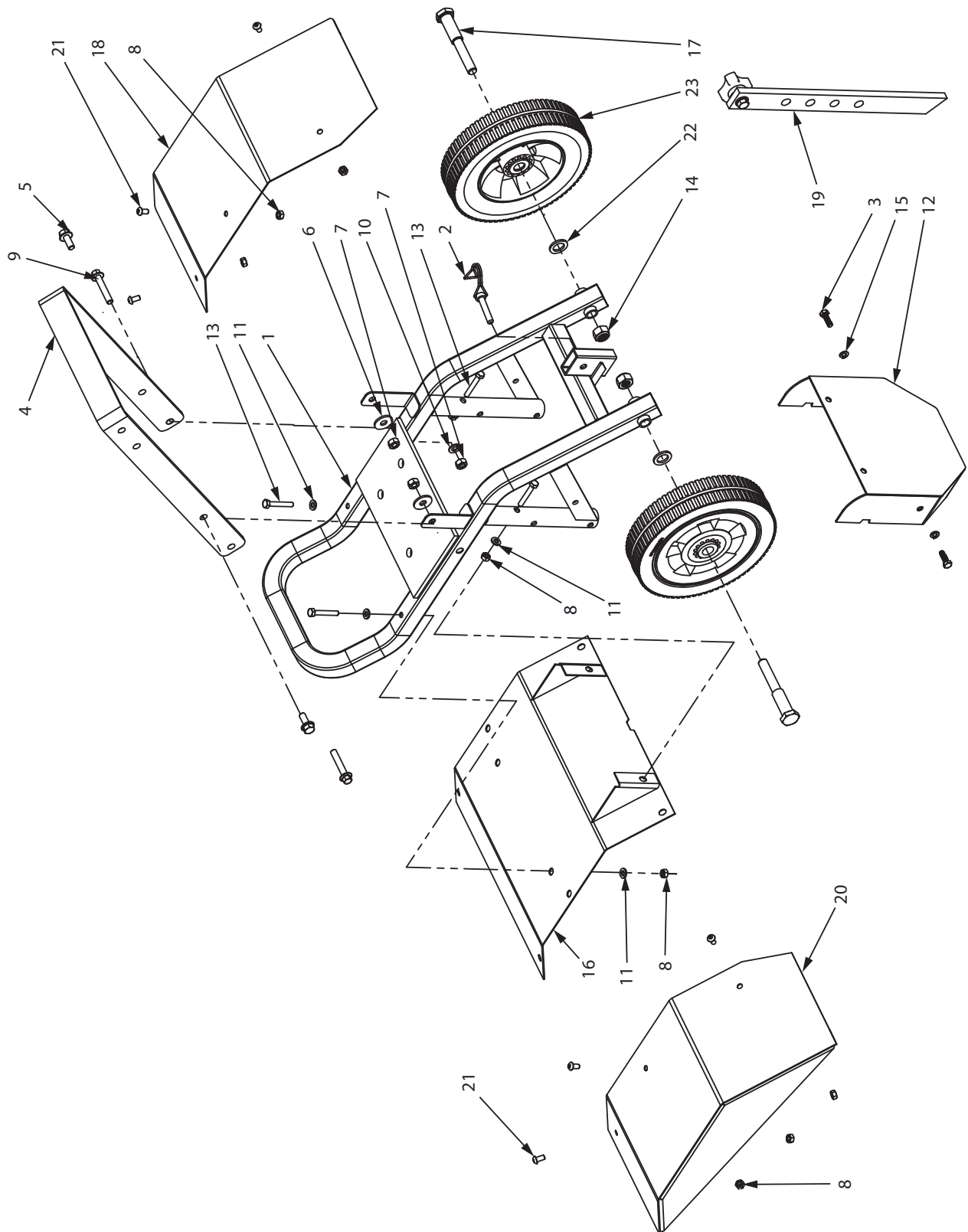
ILLUSTRATED PARTS BREAKDOWN - Engine Assembly



ILLUSTRATED PARTS BREAKDOWN - Engine Assembly

ITEM #	PART #	DESCRIPTION	QTY.
1	53617	ARM FORWARD REAR TINE	1
2	17354	FORWARD IDLER PULLEY	1
3	332033	BOLT M10 X 1.5 X 50 HHCS	1
4	W1265V0915	BOLT M8 X 25 HHCS	2
5	W1265V0904	BOLT M8 X 1.25 X 20 HHCS	2
6	18008	BUSHING 16.4MM X 22MM X 21.5MM	1
7	38397	KEY 3/16IN X 1.75IN	1
8	3235	NUT M10 X 1.5 HTPLK	1
9	803	WASHER 5/16"ID X 1-1/2"OD FLAT 16 GA.	1
10	504	LOCKWASHER-SPRING 5/16"	4
11	WF516	WASHER PLAIN 5/16 ZN	3
12	53596B	YOKE ZINC PLATED CLEVIS	1
13	1416	PIN CLEVIS	1
14	1418	PIN-COTTER	1
15	18015	WELDMENT CABLE GUIDE PLATE	1
16	1407	SPRING FORWARD ARM	1
17	18043	SHIM .25 IN ENGINE MOUNT	2
18	3245	WASHER M8 8.4MM X 24MM X 2.2MM	4
19	W1200114	WASHER M8 X 1.9 SPRLK BLK OX HIGH COLLAR	4
20	18134	BOLT M8 X 1.0 X 35 GR8.8 ZN	4
21	18036	BELT V POWER RATED 861 MM	1
22	18022	PULLEY SINGLE GROOVE 16MM ID	1
23	739	BELT GUIDE REVERSE	1
24	13276	ENGINE VIPER 99CC EPA III	1
24*	15221	ENGINE VIPER 99CC CE	1
25	18129	WELDMENT GUARD PULLEY TOP	1
26	4647	BOLT M6 X 1.0 X 18 FLANGE HH GR5 ZN F-T	3
27	W1200116	WASHER M6 X 1.5 SPRLK ZN HIGH COLLAR	3
28	13791	BUSHING 8.3MM X 12.4MM X 6.65MM THICK	1
29	W1200126	WASHER M10 X 28 X 2.8 ZN	1
30	18104	BOLT M6 X 1.0 X 35 HH	1
31	14030	BELT GUIDE WIRE	1

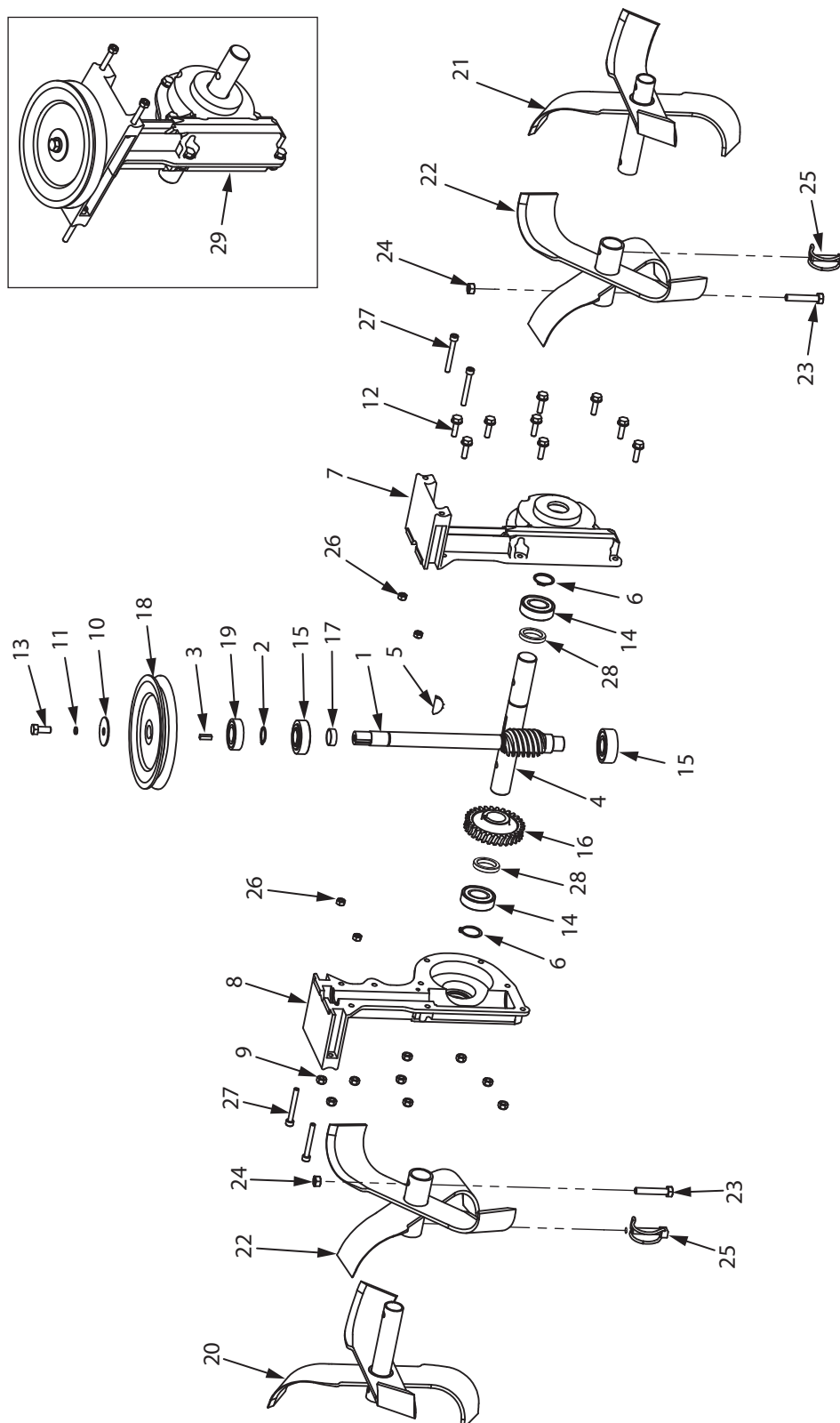
ILLUSTRATED PARTS BREAKDOWN - Chassis Assembly



ILLUSTRATED PARTS BREAKDOWN - Chassis Assembly

ITEM #	PART #	DESCRIPTION	QTY.
1	18004	WELDMENT VECTOR FRAME	1
2	13366	LOCK PIN WIRE BALE	1
3	92776	BOLT M6 X 1.0 X 20 HHCS GR8.8 ZN	2
4	18010	HANDLEBAR LOWER STRAP	1
5	W1265V0904	BOLT M8 X 1.25 X 20 HHCS ZN GR8.8	2
6	3245	WASHER M8 8.4MM X 24MM X 2.2MM ZN	2
7	3252	NUT M8 X 1.25 H GR8.8 ZN	4
8	W1265V0913	NUT M6 X 1.0 HNYLK GR8.8 ZN	10
9	3247	BOLT M8 X 1.25 X 45 HHFCS GR8.8 ZN	2
10	400024	WASHER FLAT M8 8.4 X 16 X 1.6 THK GR8.8 ZN	2
11	W1200117	WASHER M6 X 13 X 1.75 FLAT ZN	6
12	18123	WELDMENT GUARD PULLEY LOWER	1
13	18103	BOLT M6 X 1.0 X 40 HH GR 8.8 ZN	4
14	331052	NUT M12 X 1.75 HH NYLCK GR8.8 ZN	2
15	W1200116	WASHER M6 X 1.5 SPRLCK ZN	2
16	18119	WELDMENT SHIELD TINE MIDDLE	1
17	10513	BOLT M12 X 1.5 X 96 HH SHLDR M15.7 X 42	2
18	18118	WELDMENT SHIELD TINE RIGHT	1
19	18131	ASSEMBLY DRAG STAKE	1
20	18116	WELDMENT SHIELD TINE LEFT	1
21	18058	BOLT M6 x 1.0 x 12 SBHCS GR8.8 ZN	6
22	10517	WASHER 16MM ID X 25MM OD X 2.5 THK ZN	2
23	15856	WHEEL 8ID X 5/8ID IN RUBBER GRY	2

ILLUSTRATED PARTS BREAKDOWN - Transmission Assembly



ILLUSTRATED PARTS BREAKDOWN - Transmission Assembly

ITEM #	PART #	DESCRIPTION	QTY.
1	13610	WORM DRIVESHAFT 20MM OD	1
2	8924	RING RETAINING EXTERNAL 3/4 INCH	1
3	13837	KEY 5MM X 5MM X 16MM	1
4	13612	TINE SHAFT 25MM OD 8MM KEY FT	1
5	13611	KEY 6MM X 24MM HALFMOON	1
6	1810	SNAP RING 1" PHOSPH EXTERNAL	2
7	13613*	CASTING ALUMINUM FT RIGHT SIDE	1
8	13614*	CASTING ALUMINUM FT LEFT SIDE	1
9	13599	NUT M6 X 1.0 HHFNYLK	9
10	803	WASHER 5/16"ID X 1-1/2"OD FLAT 16 GA.	1
11	1916965	WASHER 1/4" SPRING LOCK ZINC	1
12	13600	BOLT M6 X 1.0 X 25 HHF	9
13	W1265V0904	BOLT M8 X 1.25 X 20 HHCS ZN	1
14	13902	BEARING BALL 25MM ID	2
15	3220	BEARING TAPERED ROLLING 30204 20 X 47 X 15.2	2
16	13615	GEAR BRASS 25MM ID 6MM KEY FT	1
17	13590	BUSHING 26MM X 20.22MM X 6.6MM	1
18	13619	PULLEY TRANS SINGLE GROVE	1
19	3309	BEARING 6004 2RS	1
20	13905	TINE SET OUTSIDE RIGHT FT 25MM SHAFT	1
21	13904	TINE SET OUTSIDE LEFT 25MM SHAFT	1
22	13903	TINE SET INSIDE LEFT OR RIGHT 25MM SHAFT	2
23	18098	BOLT M8 x 1.25 x 45 HH GR8.8 ZN	2
24	3252	NUT M8 X 1.25 H GR8.8 ZN	2
25	13366	PIN 8MM X 40MM WIRE LOCK BALE	2
26	14109	NUT M6 X 1.0 HBW GR8.8 ZN	4
27	18103	BOLT M6 x 1.0 x 40 HH GR 8.8 ZN	4
28	14421	SPACER 25MM X 35MM X 5.43MM THICK	2
29	13586	ASSEMBLY COMPLETE TRANS	-

* Right and left castings sold as complete transmission 13586 Assembly only.