



BR3570
REVERSIBLE HYDRAULIC PLATE COMPACTOR
PARTS BOOK



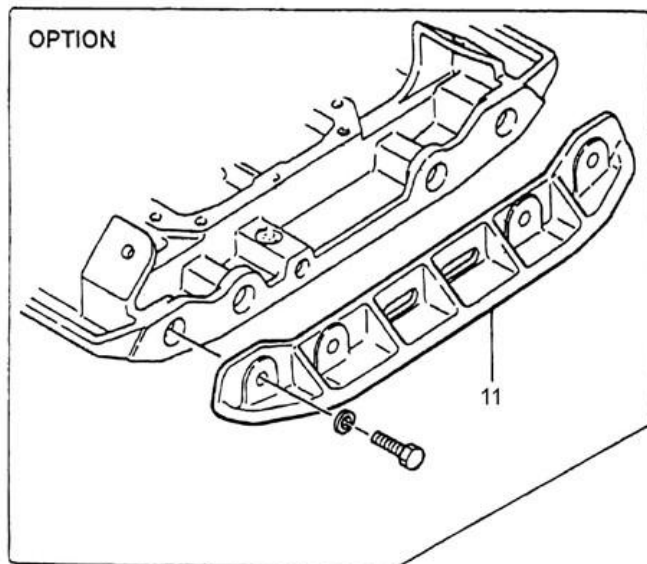
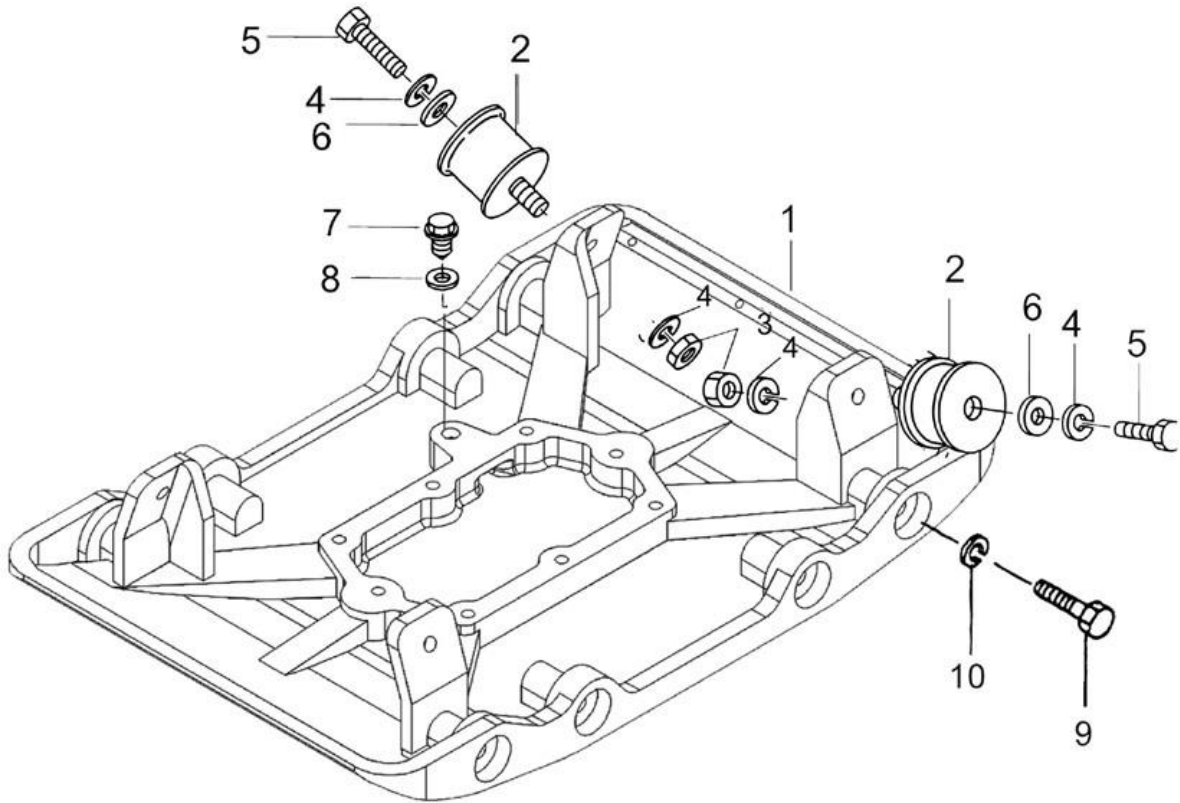


TABLE OF CONTENTS

<u>PARTS LIST 1 – REVERSIBLE HYDRAULIC PLATE COMPACTORS</u>	3
VIBRATING PLATE: BR3570	3
VIBRATING PLATE: BR3570 – PARTS LIST 1	4
<u>PARTS LIST 2 – REVERSIBLE HYDRAULIC PLATE COMPACTORS</u>	5
BODY: BR3570	5
BODY: BR3570 - PARTS LIST 2	6
<u>PARTS LIST 3 – REVERSIBLE HYDRAULIC PLATE COMPACTORS</u>	9
VIBRATOR: BR3570	9
VIBRATOR: BR3570 – PARTS LIST 3	10
<u>PARTS LIST 4 – REVERSIBLE HYDRAULIC PLATE COMPACTORS</u>	13
CONTROL: BR3570	13
CONTROL: BR3570 – PARTS LIST 4	14
<u>PARTS LIST 5 – REVERSIBLE HYDRAULIC PLATE COMPACTORS</u>	15
HAND PUMP ASSEMBLY: BR3570	15
HAND PUMP ASSEMBLY: BR3570 – PARTS LIST 5	16
<u>PARTS LIST 6 – REVERSIBLE HYDRAULIC PLATE COMPACTORS</u>	17
WHEELS: BR3570	17
WHEELS: BR3570 – PARTS LIST 6	17

PARTS LIST 1 – REVERSIBLE HYDRAULIC PLATE COMPACTORS

VIBRATING PLATE: BR3570



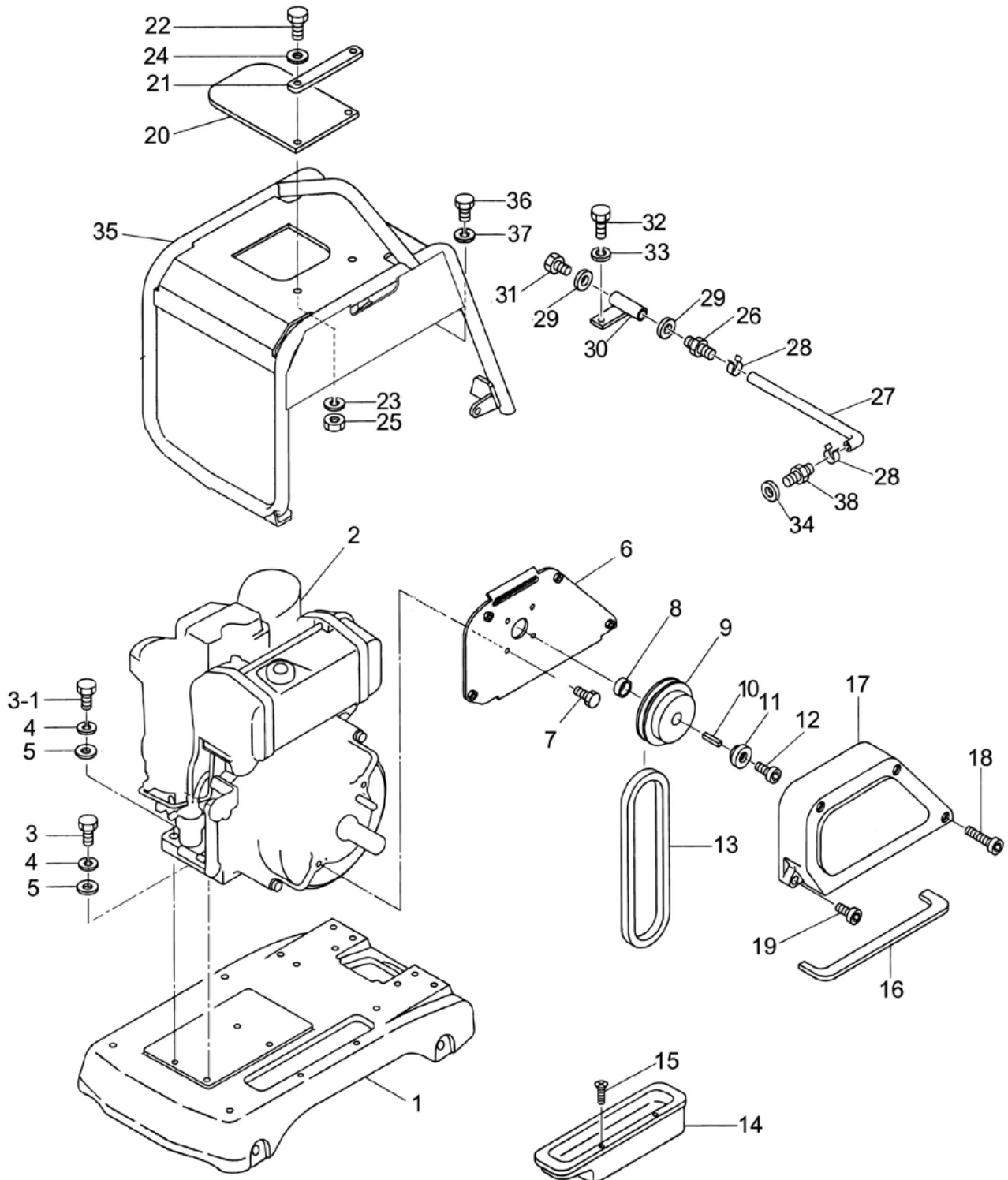


VIBRATING PLATE: BR3570 – PARTS LIST 1

Item #	Part #	Description	QTY	Remarks
1	65CPC-240-01A	VIBRATING PLATE	1	
2	651033	RUBBER MOUNT, SHOCK ABSORBER	4	
3	10730	NUT, M12 x 1.75	4	
4	10735	LOCKWASHER, M12	8	
5	10881	HHCS, M12 x 1.75 x 35mm	4	
6	10993	WASHER, M12	4	
7	651060	OIL PLUG M16x1.5	1	
8	651061	OIL PLUG SEAL, M16	1	
9	651072	HHCS, M16-2.0 x 25MM	8	
10	10735	LOCKWASHER, M12	8	
11	651110	EXTENSION KIT, 24.4"x3"	2	

PARTS LIST 2 – REVERSIBLE HYDRAULIC PLATE COMPACTORS

BODY: BR3570



BODY: BR3570 - PARTS LIST 2

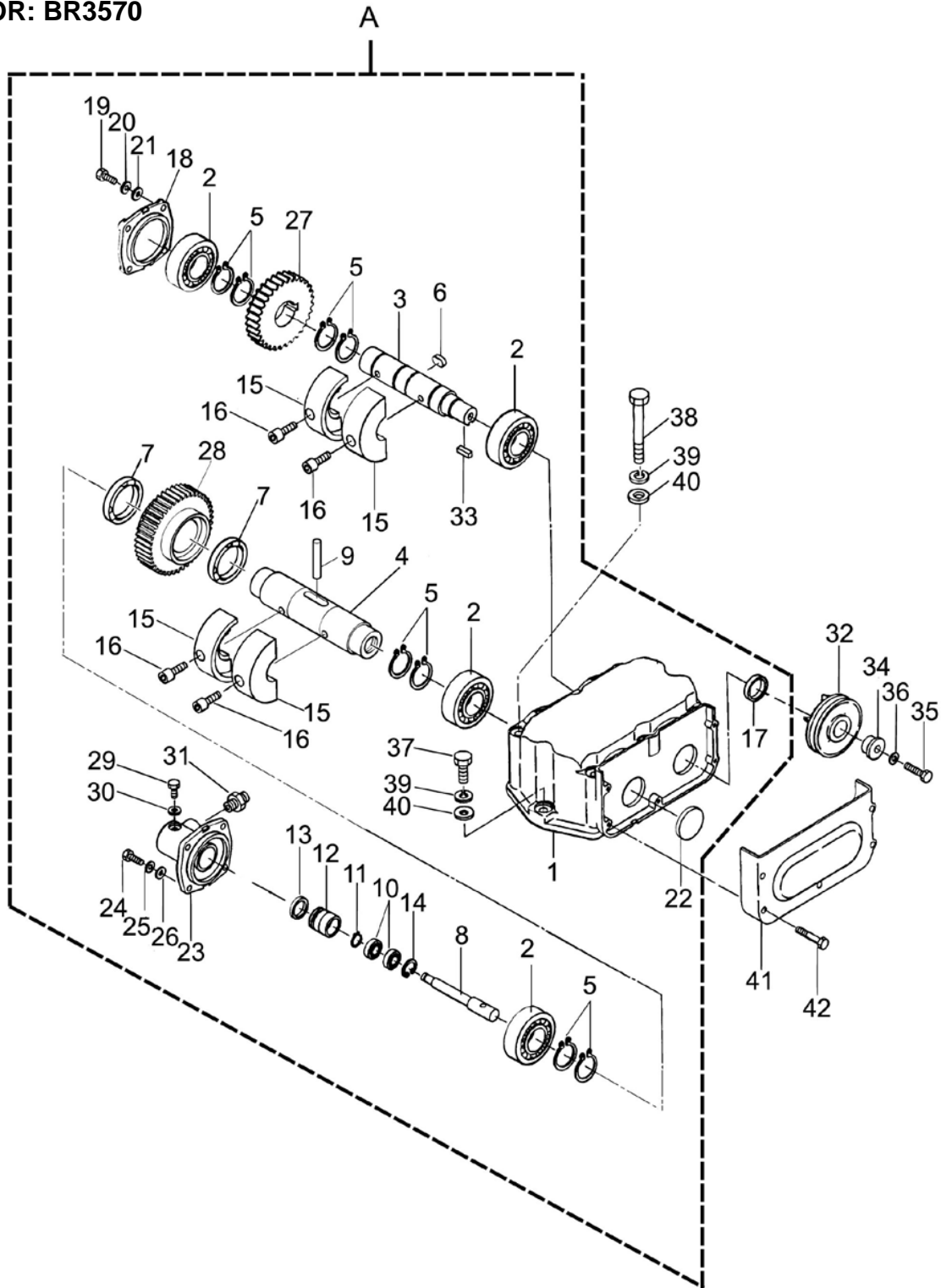
Item #	Part #	Description	QTY	Remarks
1	65CPC-240-01B	BASE	1	
2	21334	HONDA, GX270	4	
3	11924	HHCS, M10-1.5 X 40MM	4	
4	11621	LOCKWASHER, M10	4	
5	41516	WASHER, M10	1	
6	65CPC-240-06B	BACK PLATE/BELT COVER PLATE	4	
7	30041	FHSCS, 5/16-24 x 3/4"	1	
9	30248	CLUTCH ASSEMBLY	1	
10	10608	KEY, 1/4" SQ X 1-5/32"	1	
11	16111	CLUTCH RETAINER, 1" COLLAR	1	
13	15371	V- BELT, XPA922	1	
	30080	V- BELT, AX36	1	S/N: 718425 AND UP
14	65CPC-240-14B	DUST COVER	1	
15	10068	FHSCS, M6-1.00 x 16MM	2	
16	65CPC-240-16B	SPONGE, DUST COVER	1	
17	65CPC-160-17B	BELT COVER OUT	1	
18	31105	SOCKET HEAD BOLT M8x60T	3	
19	14986	SOCKET HEAD BOLT M8x30T	1	
20	651176	RUBBER COVER	1	
21		PLATE, RUBBER COVER	1	
22	11619	HHCS, M8-1.25 x 25MM	2	
23	11614	LOCKWASHER, M8	2	
24	11667	WASHER, M8	4	
25	11617	NYLON NUT M8	2	
26	65CPC-240-26B	UNION	1	Kit 651178 Only
27	65CPC-240-27B	DRAIN HOSE	1	Kit 651178 Only
28	65CPC-240-28B	HOSE CLAMP	2	Kit 651178 Only
29	65CPC-240-29B	GASKET 10x18.1,5	1	Kit 651178 Only
30	65CPC-240-30B	PLUG	1	Kit 651178 Only
31	65CPC-240-31B	JOINT BLOCK	1	Kit 651178 Only
32	10999	HHCS, M8-1.25 x 20MM	1	Individual or Kit 651178
33	11614	LOCKWASHER, M8	1	Individual or Kit 651178
		Parts list 2 continued next page		



Parts list 2 continued				
34	65CPC-240-34B	SEAL WASHER	1	Kit 651178 Only
35	65CPC-240-35B	GUARD FRAME	1	
36	13348	HHCS, M10-1.5 x 25MM	4	
37	11621	LOCKWASHER, M10	4	
26-34	651178	OIL DRAIN HOSE ASSEMBLY INCL. # 26,27,28,29,30,31,32,33,34	1	

PARTS LIST 3 – REVERSIBLE HYDRAULIC PLATE COMPACTORS

VIBRATOR: BR3570



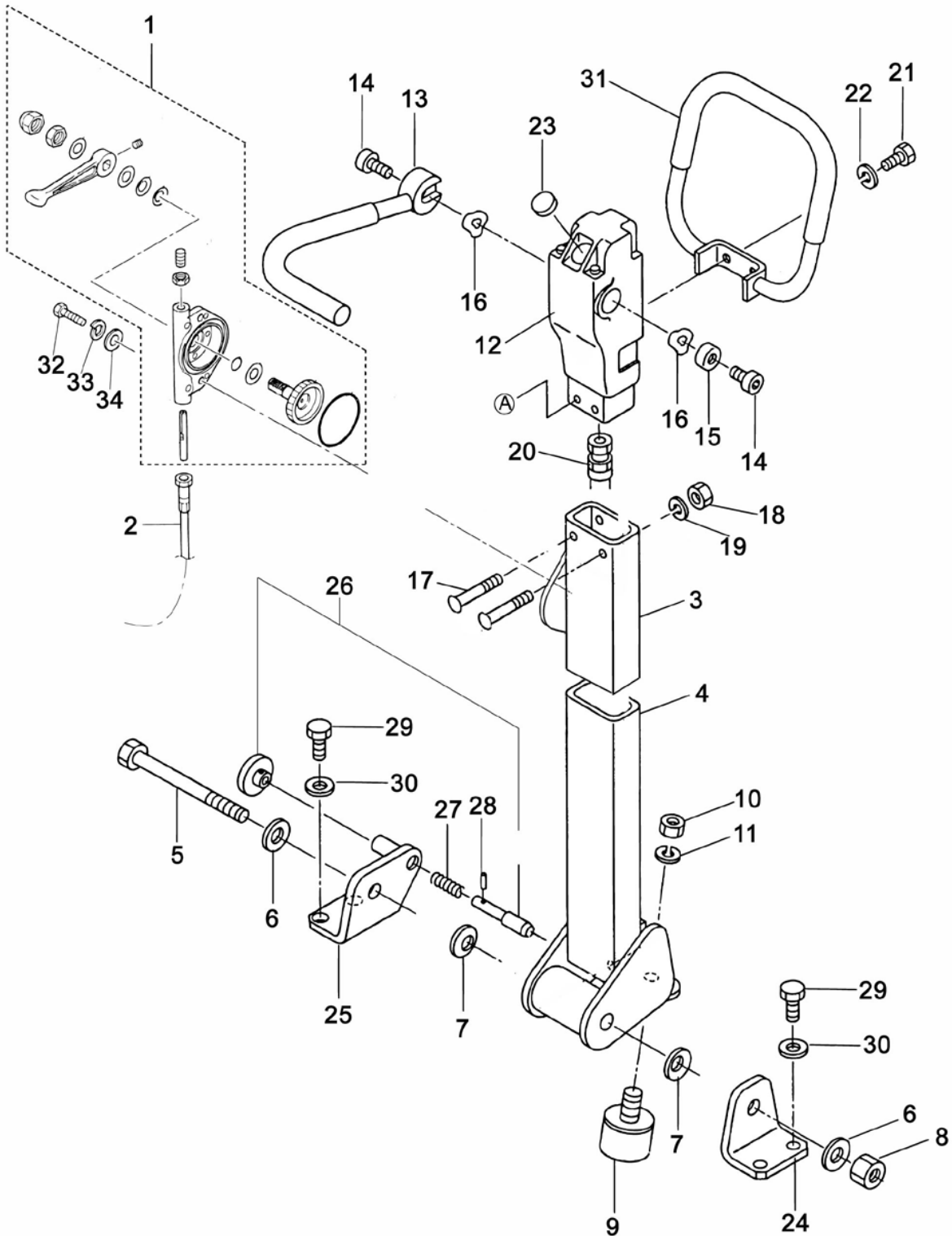
VIBRATOR: BR3570 – PARTS LIST 3

Item #	Part #	Description	QTY	Remarks
C	651022	VIBRATOR ASSEMBLY	1	
1	65CPC-240-01C	VIBRATING CASE	1	
2	24240	ROLLER BEARING NJ307EM	4	
3	65CPC-240-03C	ROTARY SHAFT, DRIVE	1	Kit 651183 Only
4	65CPC-240-04C	ROTARY SHAFT, DRIVEN	1	Kit 651182 Only
5	31373	STOP RING S-35	8	Individual or in Kits 651182, 651183
6	65CPC-240-06C	KEY 10x8x19	1	Individual or in Kit 651183
7	24241	BEARING 6907ZZ	2	Individual or in Kit 651182
8	65CPC-240-08C	PISTON ROD	1	Kit 651184 Only
9	651204	PIN 8x50	1	Individual or in Kit 651184
10	24242	BEARING 6000ZZ	2	Individual or in Kit 651184
11	60083	STOP RING S-10	1	Individual or in Kit 651184
12	651151	PISTON	1	Kit 651184 Only
13	651074	PACKING 22.4x30x5	1	Individual or in Kit 651184
14	651202	STOP RING R-26	1	Individual or in Kit 651184
15	65CPC-240-15C	ECCENTRIC WEIGHT	4	Kit 651182 or 651183 Only
16	14985	SHCS, M10-1.50 x 30MM	4	Individual or in Kits 651182 or 651183
17	651147	OIL SEAL SC-28458	1	
18	65CPC-240-18C	BEARING COVER	1	
19	10999	HHCS, M8-1.25X20MM	4	
20	11614	LOCKWASHER, M8	4	
21	11667	WASHER, M8	4	
22	651152	SEAL CAP	1	
23	651149	CYLINDER	1	
24	11619	HHCS, M8-1.25 x 25MM	4	
25	11614	LOCKWASHER, M8	4	
26	11667	WASHER, M8	4	
27	65CPC-240-27C	GEAR (DRIVE)	1	Kit 651186 Only
28	65CPC-240-28C	GEAR (DRIVEN)	1	Kit 651182 Only
		Parts list 3 continued next page		

Parts list 3 continued				
29	651081	HYDRAULIC BLEEDING BOLT	1	
30	651080	WASHER, SEALING	1	
31	65CPC-240-31C	CONNECTOR	1	
32	651116	PULLEY, 3.5"	1	
33	651094	KEY 8x7x25	1	
34	651165	WASHER, RETAINER	1	
35	10155	HHCS, M8-1.25 x 35MM	1	
36	11614	LOCKWASHER, M8	1	
37	10881	HHCS, M12x1.75 x 35mm	2	
38	10714	HHCS, M12x1.75 x 120mm	6	
39	10735	LOCKWASHER, M12	8	
40	10993	WASHER, M12	8	
41	65CPC-240-41C	BELT COVER (LOWER)	1	
42	18550	SHCS, M6-1.0X45MM	5	
	651182	DRIVEN SHAFT ASSEM INCL. #4,5,7,15,16,28	1	
	651183	DRIVE SHAFT ASSEM INCL. #3,5,6,15,16,27	1	
	651184	PULLEY SHAFT ASSEM INCL. #8,9,10,11,12,13,14	1	

PARTS LIST 4 – REVERSIBLE HYDRAULIC PLATE COMPACTORS

CONTROL: BR3570

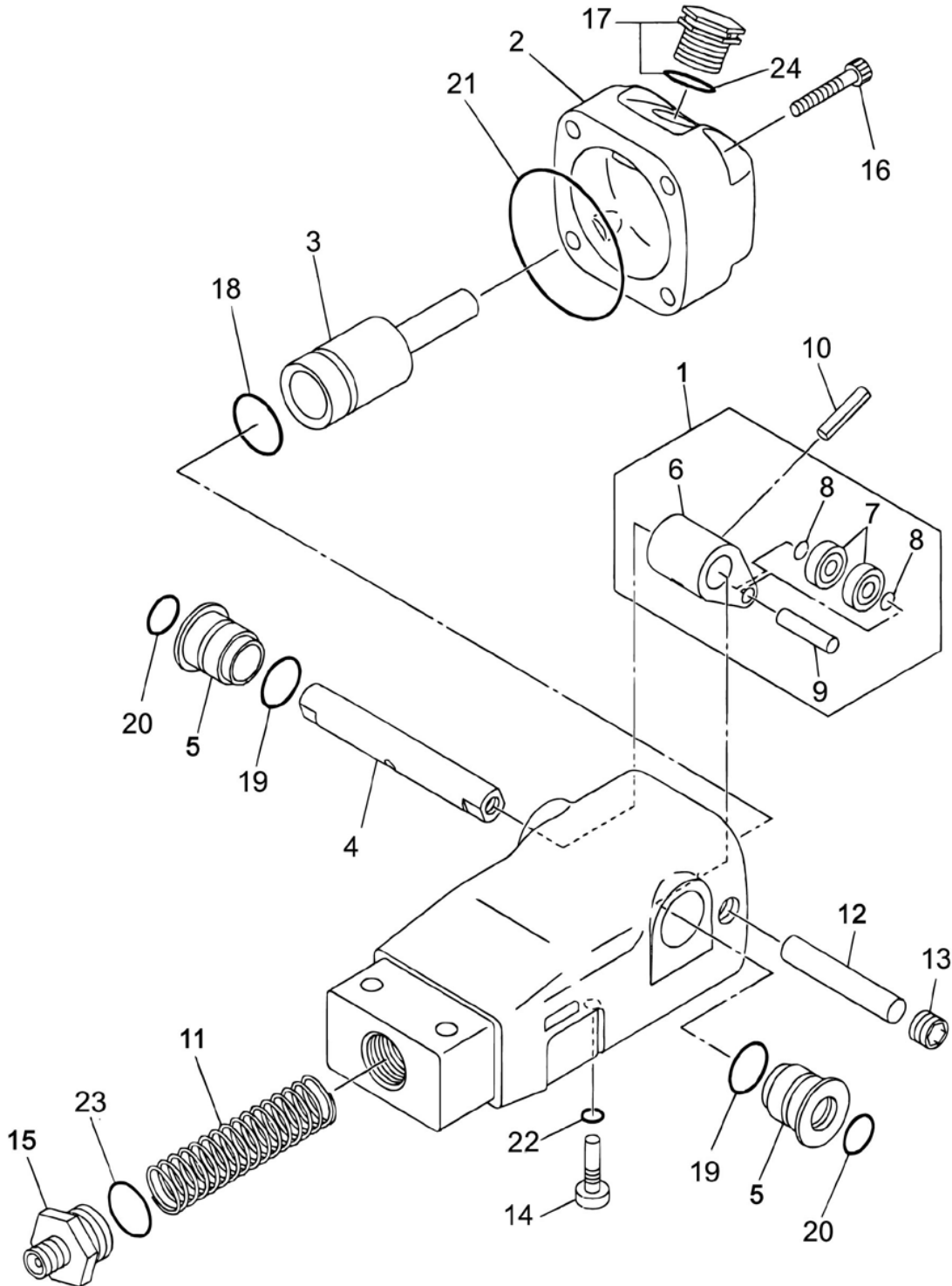


CONTROL: BR3570 – PARTS LIST 4

Item #	Part #	Description	QTY	Remarks
1	651050	THROTTLE LEVER ASSEMBLY w/WIRE	1	
2				
3	65CPC-240-03D	HANDLE UPPER AY	1	
4	65CPC-240-04D	HANDLE LOWER AY	1	
5	65CPC-240-05D	BOLT M16x150T	1	
6	31211	WASHER, M16	2	
7	65CPC-240-07D	SPRING WASHER, M16	4	
8	60138	LOCKNUT, M16	2	
9	651037	SHOCK ABSORBER, STOPPER	1	
10	11622	HEX NUT, M10	1	
11	11621	PACKING M10	1	
12	651040	HANDLE PUMP ASSEMBLY	1	
13	651141	TRAVEL LEVER	1	
14	14301	FHSCS, M8-1.25 x 25mm	2	
15	65CPC-240-15D	COLLAR	1	
16	65CPC-240-16D	WAVE WASHER 15.5x20x0.3	4	
17	10453	HHCS, M8-1.25x50MM	2	
18	11617	LOCKNUT, M8x1.25	2	
19	11614	LOCKWASHER, M8	2	
20	65CPC-240-20D	OIL HOSE	1	
21	10999	HHCS, M8-1.25 x 20MM	2	
22	11614	LOCKWASHER, M8	2	
23	651205	BREATHER CAP	1	
24	651213	HANDLE BRACKET (L)	1	
25	651214	HANDLE BRACKET (R)	1	
26	651144	STOPPER	1	
27	651145	SPRING	1	
28	651146	SPRING PIN M2 x 16	1	
29	14989	HHCS, M10-1.5 x 30MM	4	
30	11621	LOCKWASHER, M10	4	
31	651142	HANDLE GRIP	1	
32	30281	HHCS, M6-1.0 X 25MM	2	
33	14448	LOSKWASHER, M6	2	
34	14447	WASHER, M6	2	

PARTS LIST 5 – REVERSIBLE HYDRAULIC PLATE COMPACTORS

HAND PUMP ASSEMBLY: BR3570

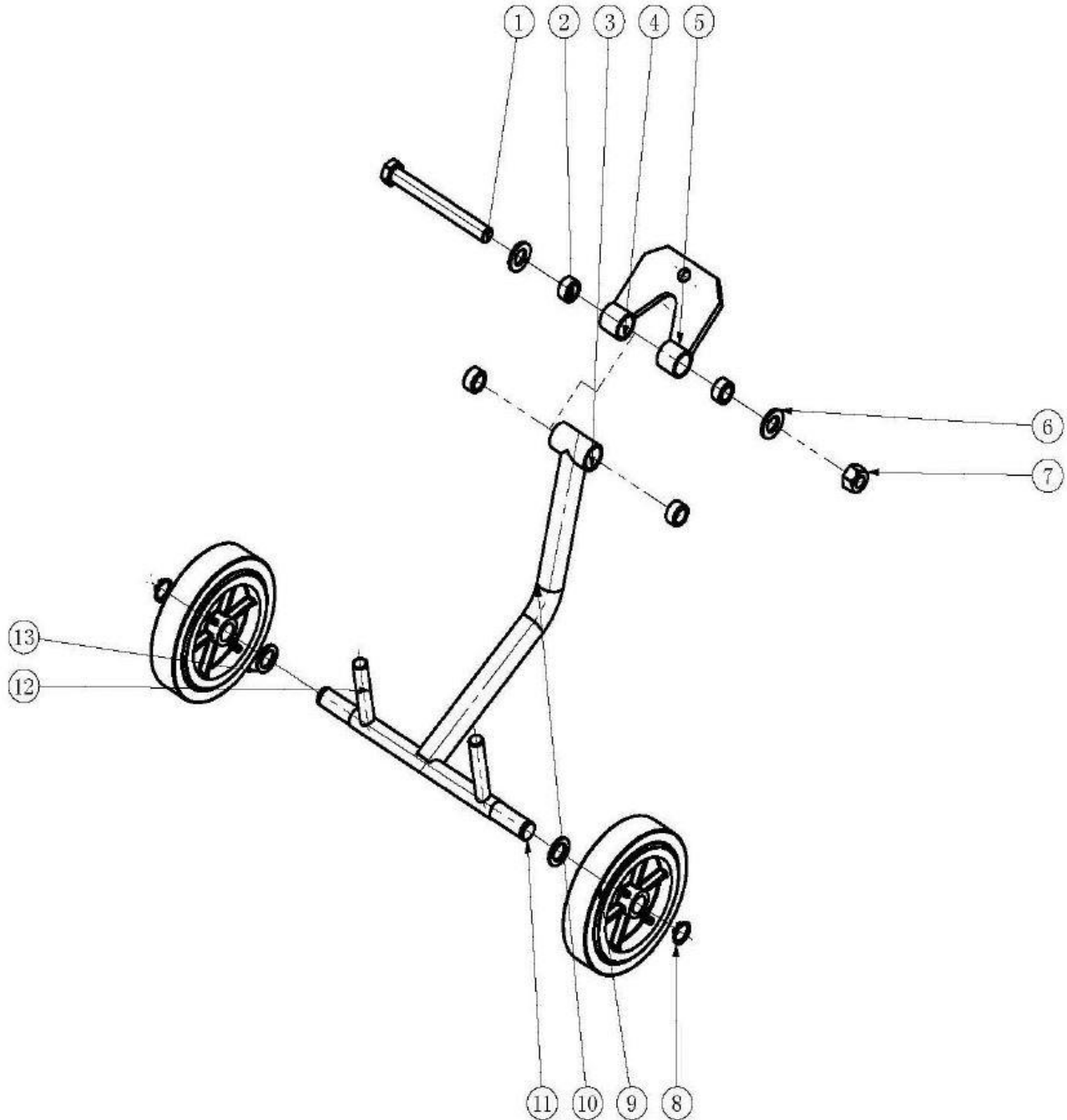


HAND PUMP ASSEMBLY: BR3570 – PARTS LIST 5

Item #	Part #	Description	QTY	Remarks
1	651130	CAM ASSEM (PUMP) INCL. #6,7,8,9	1	
2	65CPC-240-02E	COVER (HAND PUMP)	1	
3	651181	PISTON HAND PUMP	1	
4	651131	CONTROL SHAFT (PUMP)	1	
5	651209	BUSH	2	
6	65CPC-240-06E	CAM (PUMP)	1	Kit 651130 Only
7	65CPC-240-07E	BEARING 607ZZ	2	Kit 651130 Only
8	65CPC-240-08E	SPACER	2	Kit 651130 Only
9	65CPC-240-09E	PIN 7x30	1	Kit 651130 Only
10	651132	SPRING PIN 6x25	1	
11	65CPC-240-11E	SPRING (PUMP)	1	
12	65CPC-240-12E	STOPPER (PUMP)	1	
13	651201	PLUG	1	
14	65CPC-240-14E	STOP PLUG M8x30	1	
15	CPC-240-15E	HOSE JOINT	1	
16	31238	SHCS, M6-1.0 X 35	4	
17	651205	BREATHER (PUMP)	1	
18	65CPC-240-18E	O-RING G-25	1	Kit 651129 Only
19	65CPC-240-19E	O-RING P-20	2	Kit 651129 Only
20	65CPC-240-20E	O-RING P-15	2	Kit 651129 Only
21	65CPC-240-21E	O-RING S-67	1	Kit 651129 Only
22	65CPC-240-22E	O-RING S-8	1	Kit 651129 Only
23	65CPC-240-23E	O-RING S-22	1	Kit 651129 Only
24	65CPC-240-24E	O-RING P-18	1	Kit 651129 Only
	651129	O-RING KIT INCL. #18,19,20,21,22,23,24	1	

PARTS LIST 6 – REVERSIBLE HYDRAULIC PLATE COMPACTORS

WHEELS: BR3570





WHEELS: BR3570 – PARTS LIST 6

Item #	Part #	Description	QTY	Remarks
1	60084	BOLT M12	1	
2	65CPC-240-02F	COLLAR	4	
3	65CPC-240-03F	WHEELS FRAME	1	
10			1	
11			1	
12			2	
4	65CPC-240-04F	WHEELS PLATE	2	
5			1	
6	14267	WASHER, M12	2	
7	10956	LOCKNUT, M12-1.75	1	
8	651079	RETAINING RING	2	
9	651085	WHEELS	2	
13	65CPC-240-13F	WASHER DIA 15mm	2	
	651105	WHEEL KIT ASSEMBLY	1	
	651042	RUBBER HOLDER (NOT SHOWN)	1	