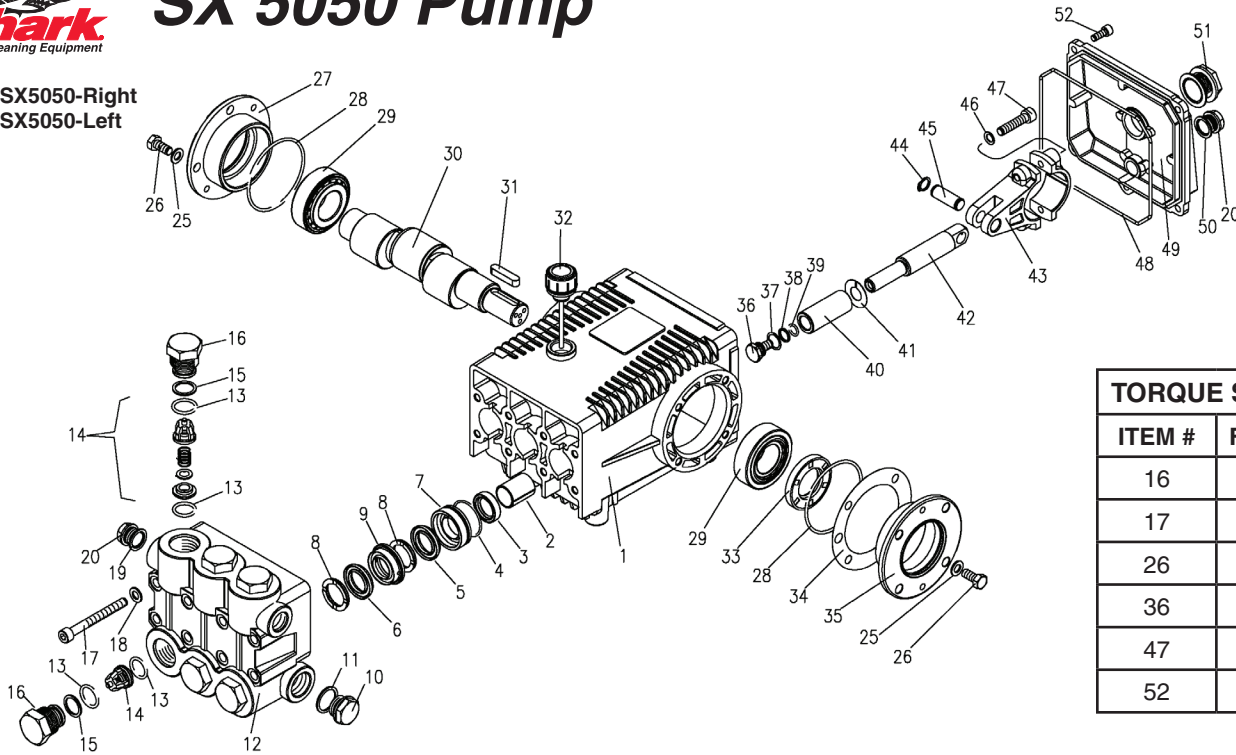




SX 5050 Pump

5-1438 SX5050-Right
5-1439 SX5050-Left



TORQUE SPECS	
ITEM #	FT. LBS.
16	135
17	60
26	18
36	10
47	30
52	7.6

PARTS LIST

ITEM	PART NO.	DESCRIPTION	QTY	ITEM	PART NO.	DESCRIPTION	QTY	ITEM	PART NO.	DESCRIPTION	QTY
1	70-020210	Crankcase	1	18	70-140301	Lock Washer	8	38*	70-060103	O-Ring Ø1.78x7.66	3
2	70-060200	Plunger Guide	3	19	70-060306	Copper Washer 3/8	1	39*	70-000904	Teflon Ring	3
3*	See Kit Below	Plunger Oil Seal	3	20	70-160117	Brass Plug 3/8	1	40*	Kit 70-261217	Plunger 18mm	3
4*	See Kits Below	O-Ring Ø1.78 x 37.82	3	25	70-140001	Washer	8	41*	70-140015	Copper Spacer	3
5*	See Kits Below	V Seal, Dia. 18mm	6	26	70-180203	Hex Screw	8	42	70-000310	Plunger Rod	3
6*	See Kit Below	V Seal, Dia. 18mm H.P.	3	27	70-050054	Closed Bearing Housing	1	43	70-010000	Connecting Rod	3
7*	70-120106	Pressure Ring 18mm	3	28	70-060100	O-Ring Ø2.62 x 71.12	2	44	70-150000	Snap Ring	6
8*	70-030007	Support Ring 18mm	6	29	70-020004	Roller Bearing	2	45	70-150200	Connecting Rod Pin	3
9*	70-030011	Intermediate Ring, 18mm	3	30	70-000474	Crankshaft (5050)	1	46	70-140103	Spring Washer	6
10	70-160120	Brass Plug, 3/4	1	31	70-020605	Crankshaft Key	1	47	70-180101	Connecting Rod Screw	6
11	70-060307	Copper Washer 3/4	1	32	70-160007	Oil Dip Stick	1	48	70-060185	O-Ring Ø2.62 x 152.07	1
12	70-160210	Manifold Housing	1	33	70-000100	Crankshaft Seal	1	49	70-020351	Crankcase Cover	1
13*	70-060105	O-Ring Ø2.62 x 23.47	6	34	70-030100	Shim	2	50	70-060302	Gasket, G3/8	1
14*	See Kit Below	Valve Assembly	6	35	70-050053	Bearing Housing	1	51	70-070005	Sight Glass G3/4	1
15*	70-000910	Teflon Ring	6	36*	70-180001	Plunger Bolt	3	52	70-180112	Cover Screw	5
16	70-160110	Valve Plug	6	37*	70-140012	Copper Spacer	3				
17	70-180133	Manifold Stud Bolt	8								

* Available in kit (See below)

REPAIR KITS

KIT NUMBERS	70-260216	70-260217	70-261217	70-260018	70-260023
KIT DESCRIPTION	Plunger Seal 18mm	Seal Packing 18 mm	Plunger 18mm	Complete Valve	Plunger Oil Seals
ITEM NUMBERS INCLUDED	4, 5, 6, 8	4, 5, 6, 7, 8, 9	36, 37, 38, 39, 40, 41	13, 14, 15	3
NO. OF CYLINDERS KIT WILL SERVICE	3	1	1	6	3