

OPERATOR'S SAFETY AND SERVICE MANUAL



AP1400 & GP1800

This manual covers the following serial numbers
and higher for each model listed:

1400.....1230050
1800.....1800154



VIBRATORY PLATES

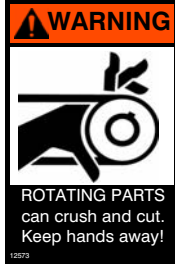
MBW, Inc.
250 Hartford Rd • PO Box 440
Slinger, WI 53086-0440
Phone: (262) 644-5234
Fax: (262) 644-5169
Email: mbw@mbw.com
Website: www.mbw.com

MBW (UK) Ltd.
Units 2 & 3 Cochrane Street
Bolton BL3 6BN, England
Phone: 01204 387784
Fax: 01204 387797

MBW FRANCE S.A.R.L.
Z.A. d'Outreville
11 rue Jean Baptiste Néron,
60540 BORNEL
FRANCE
Teléfono: +33 (0) 3 44 07 15 96
Fax: +33 (0) 3 44 07 41 28
Correo electrónico: mbwfrance@free.fr

L 18677/ 04.08.G
©MBW, Inc. 2008
Printed in the USA

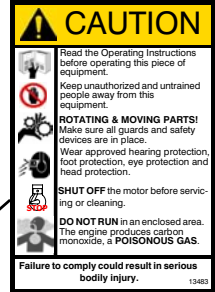
1400 SERIES: OPTIONAL ROLLCAGE & WATER TANK



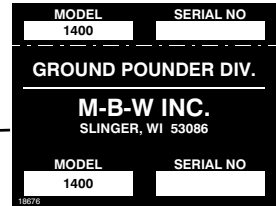
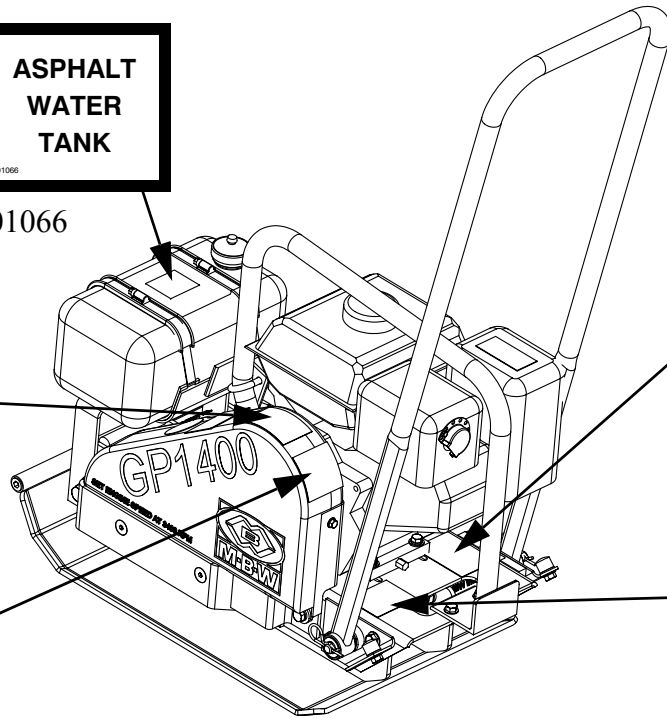
12573



01066

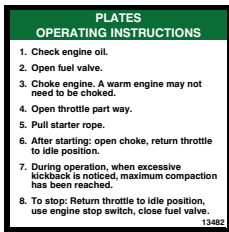


13483



18676 - 1400

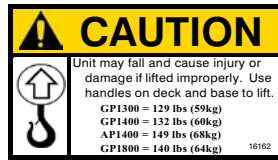
16944 - 1800



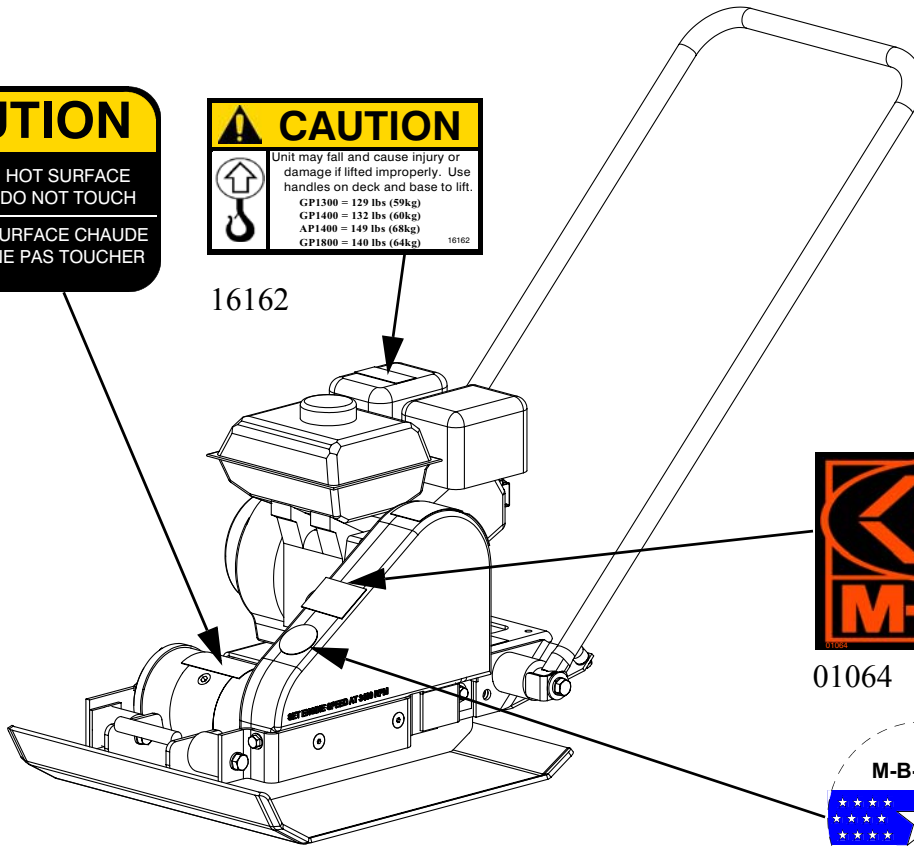
13482



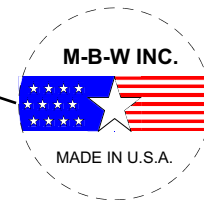
09311



16162



01064

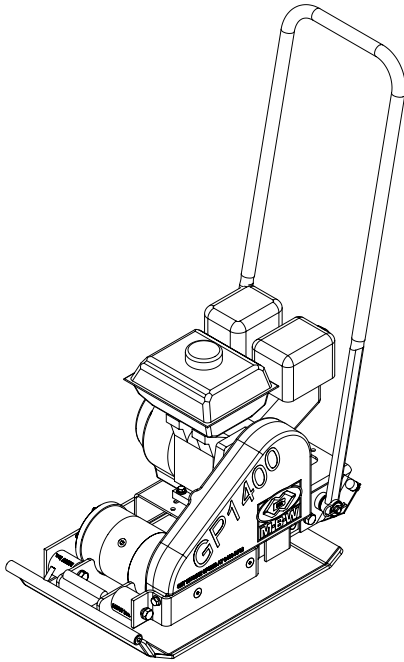


12500

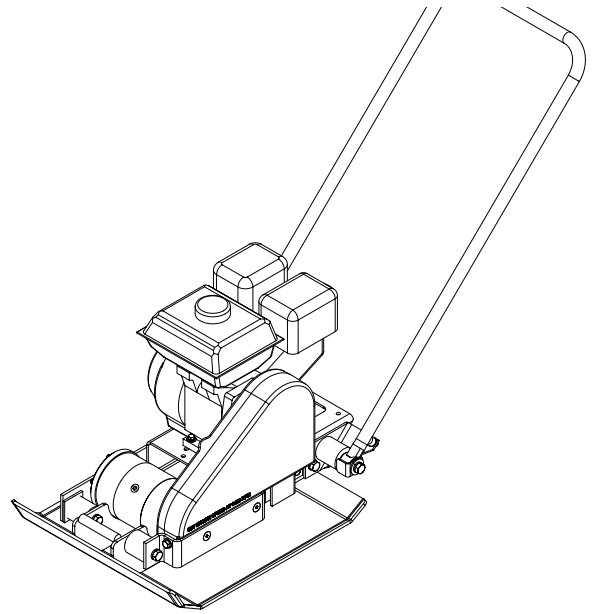
1800 SERIES

Safety Decals (Decal Set #12100)

SPECIFICATIONS



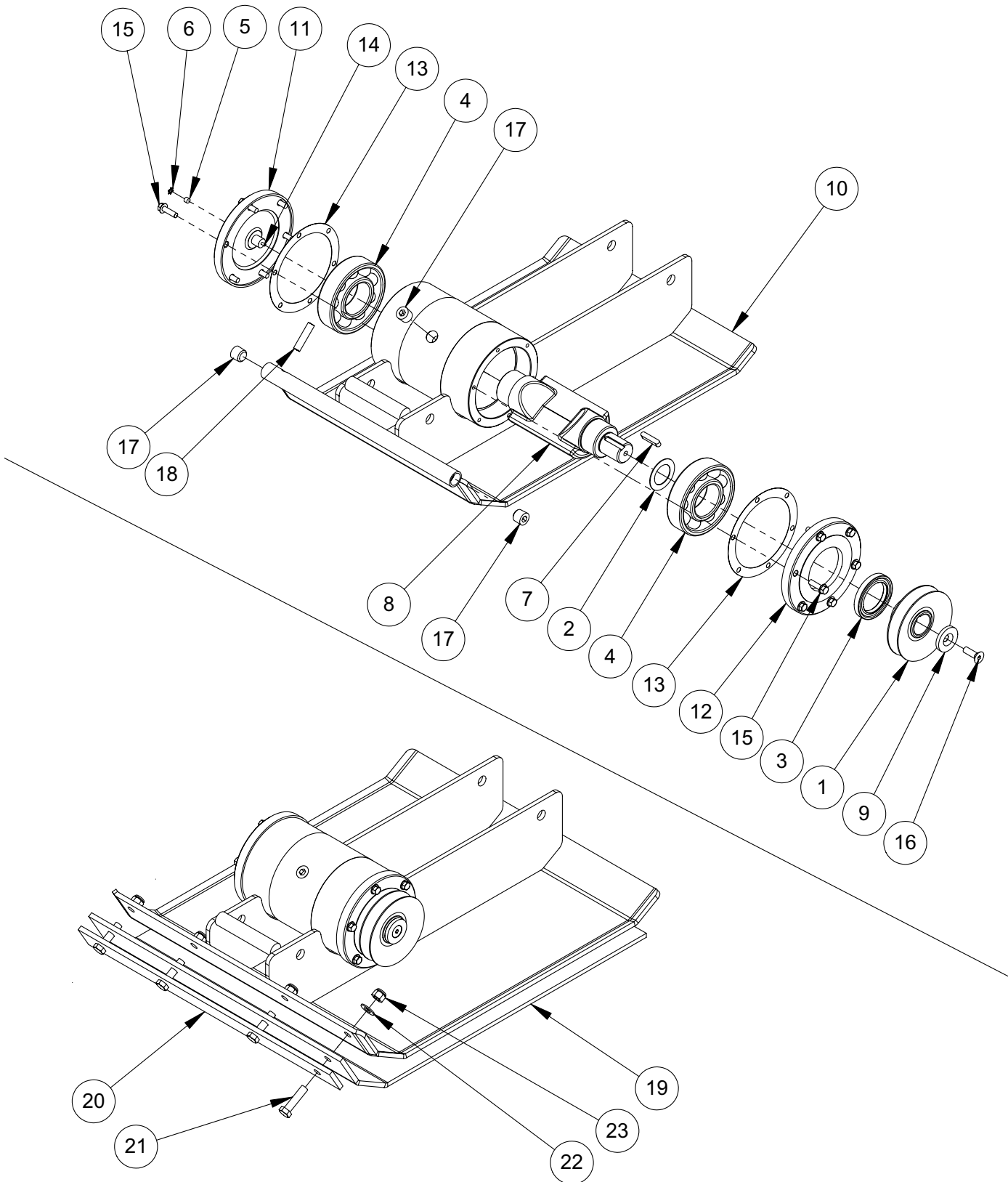
1400 SERIES



1800 SERIES

	AP1400	GP1400	GP1800H	GP1800R
CENTRIFUGAL FORCE	1925lbs/873kg	1925lbs/873kg	2300lbs/1043kg	2300lbs/1043kg
EXCITER (VPM)	5240	5240	4710	4710
TRAVEL SPEED	85 ft./min. (26 m/min.)	85 ft./min. (26 m/min.)	100 ft./min. (30 m/min.)	100 ft./min. (30 m/min.)
COMPACTION DEPTH	10 in. (25 cm)	10 in. (25 cm)	12 in. (30 cm)	12 in. (30 cm)
WIDTH & LENGTH	14 x 21 in. (36 x 53 cm)	14 x 21 in. (36 x 53 cm)	18 x 21 in. (46 x 53 cm)	18 x 21 in. (46 x 53 cm)
OPERATING WEIGHT HONDA ROBIN	149 lbs (68 kg) 152 lbs (69kg)	129 lbs (59 kg) 132 lbs (60kg)	136 lbs (62 kg)	139 lbs (63 kg)
ENGINE SPEED (RPM)	3400	3400	3400	3400
NOISE LEVEL	85 - 92 dBA	85 - 92 dBA	85 - 92 dBA	85 - 92 dBA
ENGINE MODEL	Honda GX120	Robin EX130	Honda GX120	Robin EX130

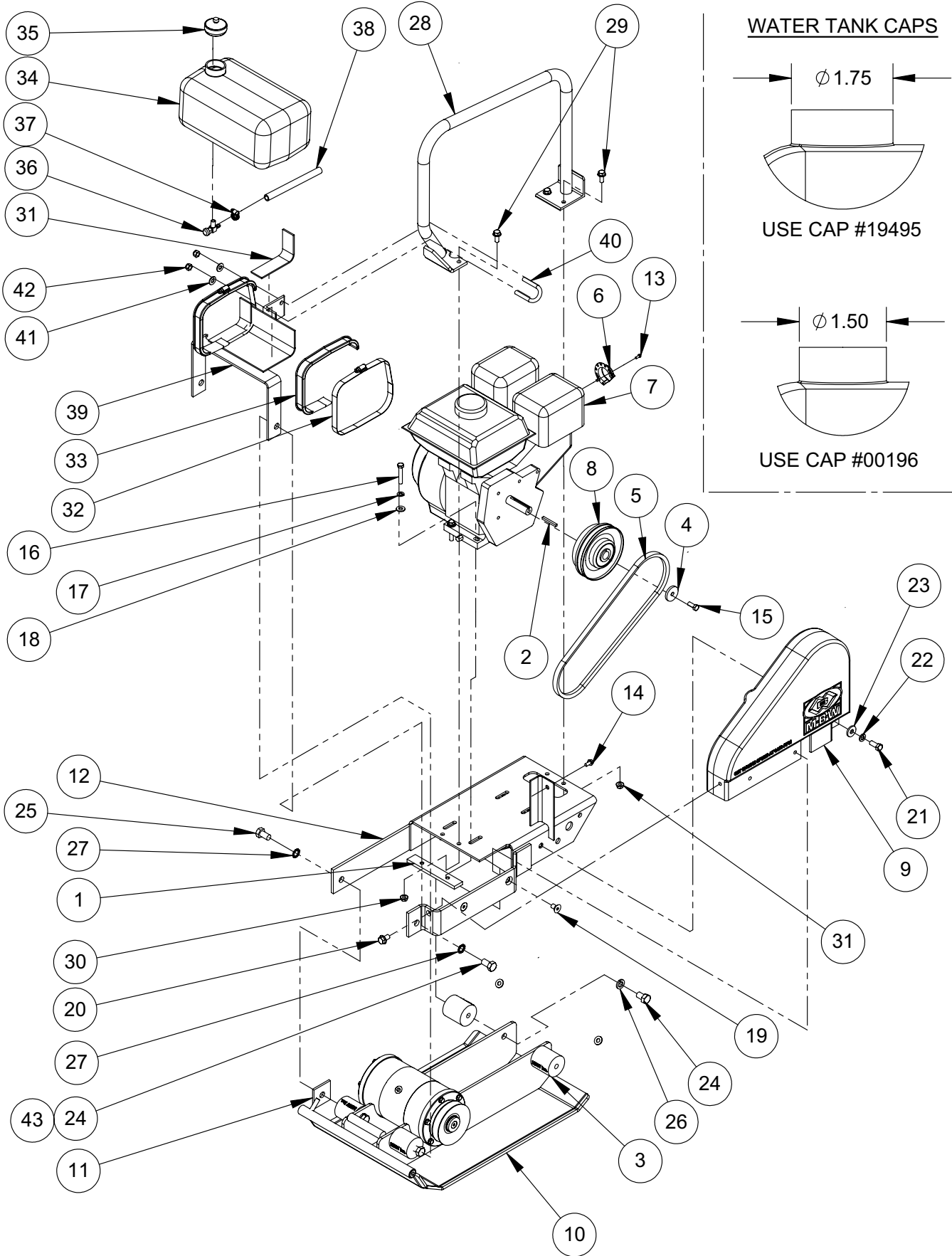
Specifications subject to change without notice



OPTIONAL PAVER PAD KIT

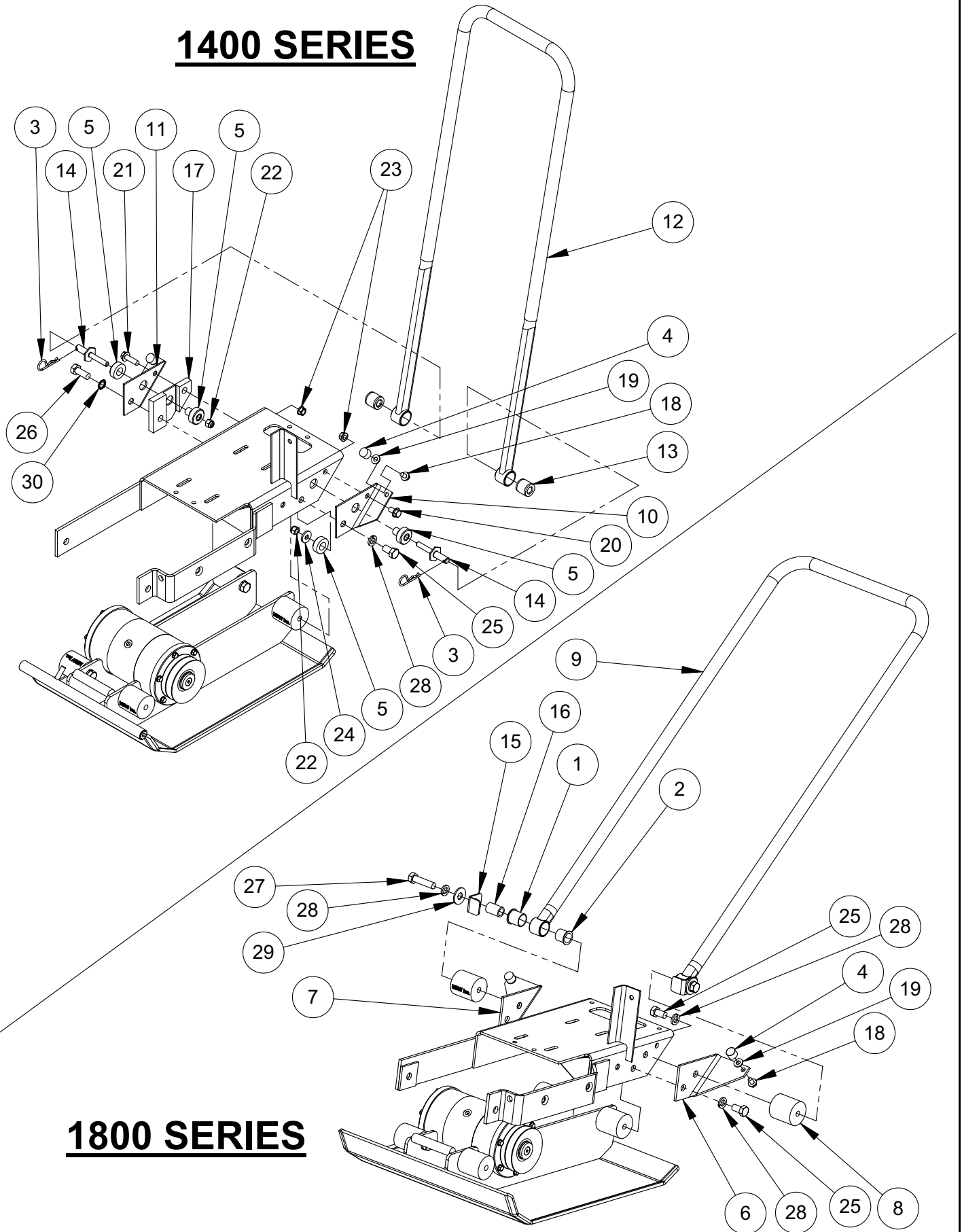
EXCITER ASSEMBLY

ITEM	PART NO.	DESCRIPTION	1400	1800
1.	00348	PULLE, EXCITER	1	1
2.	00062	WASHER, SEAL	1	1
3.	01002	SEAL, OIL	1	1
4.	01070	BEARING, BALL	2	2
5.	01072	FILTER, FELT	1	1
6.	01191	RETAINING RING, INTERNAL	1	1
7.	01283	KEY, 1/4 SQUARE X 1-1/4, ROUND ENDS	1	1
8.	13318	EXCITER SHAFT	1	
	13974	EXCITER SHAFT		1
9.	14993	WASHER, COUNTERUNK		
10.	18629	BOTTOM PLATE	1	
	16912	BOTTOM PLATE		1
11.	15946	EXCITER COVER, SEALED	1	1
12.	15947	EXCITER COVER, PULLEY	1	1
13.	15956	GASKET	2	2
14.	F0205SP	PIN, SPIROL, 1/8 X 5/8 RD	1	1
15.	F042007FWS	HEX HAED FLANGE SCREW, 1/4-20 X 1" LG.	12	12
16.	F051808FSS	FLAT HEAD SET SCREW, 5/16-18 X 1" LG.	1	1
17.	F0618SPP	SOCKET HEAD PIPE PLUG, 3/8-18	3	3
OPTIONAL WATER KIT				
17.	F0618SPPP	PIPE PLUG	2	
18.	F0612SP	PIN, SPIROL	1	
PAVER PAD KIT				
	18655	PAVER PAD KIT, 1800 SERIES PLATE		1
	18681	PAVER PAD KIT, 1400 SERIES PLATE	1	
19.	18646	PAVER PAD, RUBBER		1
	18682	PAVER PAD, RUBBER	1	
20.	18643	CLAMPING BAR		1
	18683	CLAMPING BAR	1	
21.	F061612HCS	HEX HEAD CAP SCREW, 3/8-16 X 1-1/2" LG.	3	4
22.	F06PW	WASHER, 3/8	3	4
23.	F0616ELN	LOCKNUT, 3/8-16, NYLOC	3	4



ITEM	PART NO.	DESCRIPTION	1400H	1400R	1800H	1800R
1.	00031	ENGINE MOUNTING BAR	2	2	2	2
2.	00032	KEY, 3/16" SQ. x 1-5/8" LG.	1	1	1	1
3.	01011	SHOCK MOUNT	4	4	4	4
4.	01099	WASHER	1	1	1	1
5.	6931	V-BELT (31)	1	1	1	1
6.	07636	EXHAUST DEFLECTOR	1	1	1	1
7.	12860	ENGINE, HONDA, 4HP	1		1	
	17210	ENGINE, ROBIN, 4.5HP		1		1
8.	16105	CLUTCH, CENTRIFUGAL, 3/4" DIA. BORE	1	1	1	1
9.	18633	BELTGUARD, 1400	1	1		
	16902	BELTGUARD, 1800			1	1
10.	18628	BASEPLATE, 1400	1	1		
	16913	BASEPLATE, 1800			1	1
11.	15994	SPACER (NOT USED ON 1400 WITH WATER KIT)	1	1	1	1
12.	16953	ENGINE DECK (1400)	1	1		
	15995	ENGINE DECK (1800)			1	1
13.	F0203HTB	THREAD CUTTING SCREW, #8-32 X 3/16	2	2	2	2
14.	F04200FWS	HEX HEAD FLANGE SCREW, 1/4-20 X 1/2 LG.	1	1	1	1
15.	F052406HCS	HEX HEAD CAP SCREW, 5/16-24 X 3/4 LG.	1	1	1	1
16.	F051814HCS	HEX HEAD CAP SCREW, 5/16-18 X 1-3/4 LG.	4	4	4	4
17.	F05LW	LOCKWASHER, 5/16	4	4	4	4
18.	F05SW	PLAIN WASHER, 5/16	4	4	4	4
19.	F061605FSS	FLAT SOCKET HEAD SCREW, 3/8-16 X 5/8 LG	2	2	2	2
20.	F061605FWS	HEX HEAD FLANGE SCREW, 3/8-16 X 5/8 LG.	1	1	1	1
21.	F061607HCS	HEX HEAD CAP SCREW, 3/8-16 X 7/8 LG.	1	1	1	1
22.	F06LW	LOCKWASHER, 3/8	1	1	1	1
23.	F06SW	PLAIN WASHER, 3/8	1	1	1	1
24.	F081306HCS	HEX HEAD CAP SCREW, 1/2-13 X 3/4 LG.	5	5	5	5
25.	F081307HCS	HEX HEAD CAP SCREW, 1/2-13 X 7/8 LG.	1	1	1	1
26.	F08LW	LOCKWASHER, 1/2	4	4	4	4
27.	M12ETLW	LOCKWASHER, M12, EXTERNAL TOOTH	2	2	2	2
OPTIONS:						
28.	18667	ROLLCAGE, OPTIONAL	1	1	1	1
29.	F051806FWS	HEX HEAD FLANGE SCREW, 5/16-18 X 3/4 LG	4	4	4	4
30.	F0518FN	FLANGE NUT, 5/16-18	4	4	4	4
WATER TANK:						
31.	00044	RUBBER PAD	2	2		
32.	01026	CLAMP, WORM DRIVE (LARGE)	2	2		
33.	01028	RUBBER PROFILE	2	2		
34.	00330	WATER TANK ASM. (INCLUDES TANK, CAP & VALVE)	1	1		
35.	19495	TANK CAP - USE WITH 1.75" OD TANK	1	1		
	00196	TANK CAP - USE WITH 1.50" OD TANK				
36.	05578	VALVE	1	1		
37.	08442	CLAMP, WORM DRIVE (SMALL)	1	1		
38.	19607	HOSE, 5/16 X 6.5	1	1		
39.	18639	MOUNTING BRACKET, WATER TANK	1	1		
40.	18642	U-BOLT, 5/16-16, FOR 1.0" ROUND	1	1		
41.	F05SW	PLAIN WASHER, 5/16	2	2		
42.	F0518ELN	LOCKNUT, 5/16-18 NYLOC	2	2		
43.	F081307HCS	HEX HEAD CAP SCREW, 1/2-13 X 7/8 LG.	1	1		

1400 SERIES



1800 SERIES

HANDLE ASSEMBLY

ITEM	PART NO.	DESCRIPTION	1400	1800
1.	01018	NYLON BUSHING, OUTER		2
2.	01019	NYLON BUSHING, INNER		2
3.	01056	HAIR PIN, 1/8 DIA. X 2-3/8 LG.	2	
4.	15248	RUBBER BUMPER, 3/4 X 5/8	2	2
5.	16759	RUBBER MOUNT	2	
6.	16906	HANDLE STOP, LEFT (1800)		1
7.	16907	HANDLE STOP, RIGHT (1800)		1
8.	16908	RUBBER SHOCKMOUNT, 2 O.D. X 2-1/8 LG.		2
9.	16932	HANDLE, 1800, INCLUDES (2) EACH, #01018 & #010198		1
10.	16954	HANDLE STOP, LEFT (1400)	1	
11.	16955	HANDLE STOP, RIGHT (1400)	1	
12.	18634	HANDLE, REMOVABLE, INCLUDES (2) #16959 BUSHINGS	1	
13.	16959	HANDLE BUSHING	2	
14.	16963	HANDLE MOUNT, PLATED	2	
15.	17182	HANDLE STOP BRACKET		2
16.	17261	SPACER SLEEVE		2
17.	18638	HANDLE SPACER, (1400)	1	
18.	F051804FWS	HEX HEAD FLANGE SCREW, 5/16-18 X 1/2 LG.	2	2
19.	F05SW	WASHER, 5/16	2	2
20.	F061606FWS	HEX HEAD FLANGE SCREW, 3/8-16 X 3/4 LG.	1	
21.	F061610FWS	HEX HEAD FLANGE SCREW, 3/8-16 X 1-1/4 LG.	1	
22.	F0616ELN	LOCKNUT, 3/8-16, NYLOC	2	
23.	F0616FN	FLANGE LOCKNUT, 3/8-16	2	
24.	F06SW	WASHER, 3/8	1	
25.	F081307HCS	HEX HEAD CAP SCREW, 1/2-13 X 7/8 LG.	1	4
26.	F081310HCS	HEX HEAD CAP SCREW, 1/2-13 X 1-1/4 LG.	1	
27.	F081316HCS	HEX HEAD CAP SCREW, 1/2-13 X 2 LG.		2
28.	F08LW	LOCKWASHER, 1/2	1	6
29.	F08SW	WASHER, 1/2		2
30.	M12ETLW	LOCKWASHER, M12, EXTERNAL TOOTH	1	
31.				
32.				
33.				
34.				
35.				
36.				
37.				
38.				
39.				
40.				
41.				
42.				
43.				
44.				
45.				
46.				
47.				
48.				
49.				