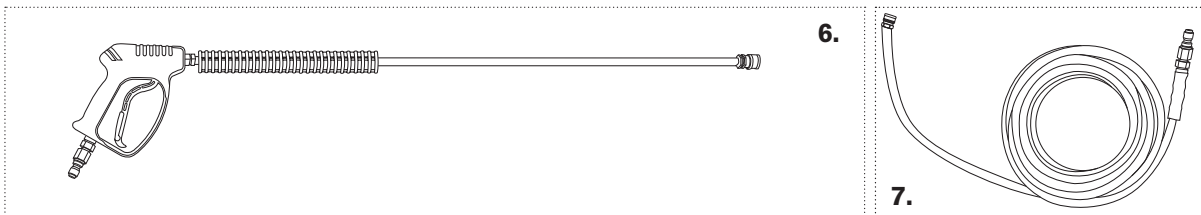
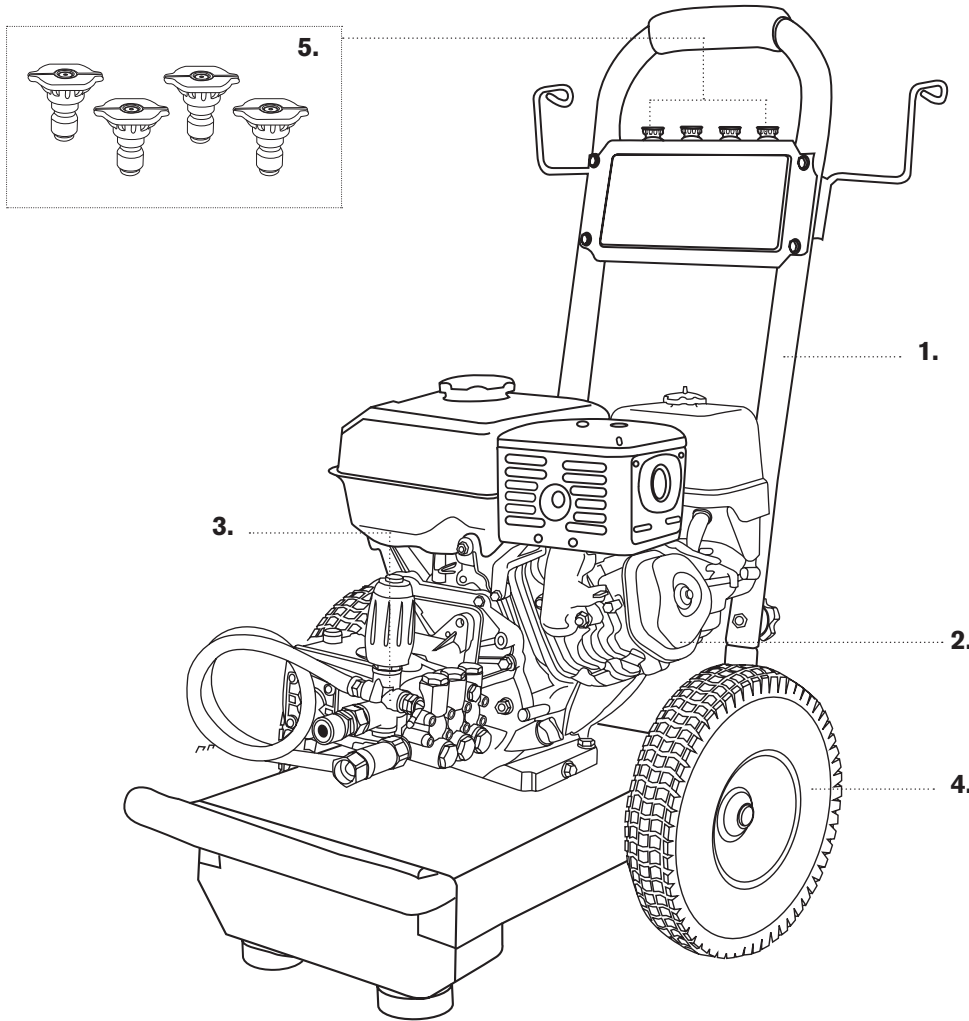




PRESSURE WASHER BREAKDOWN

B4015RCS

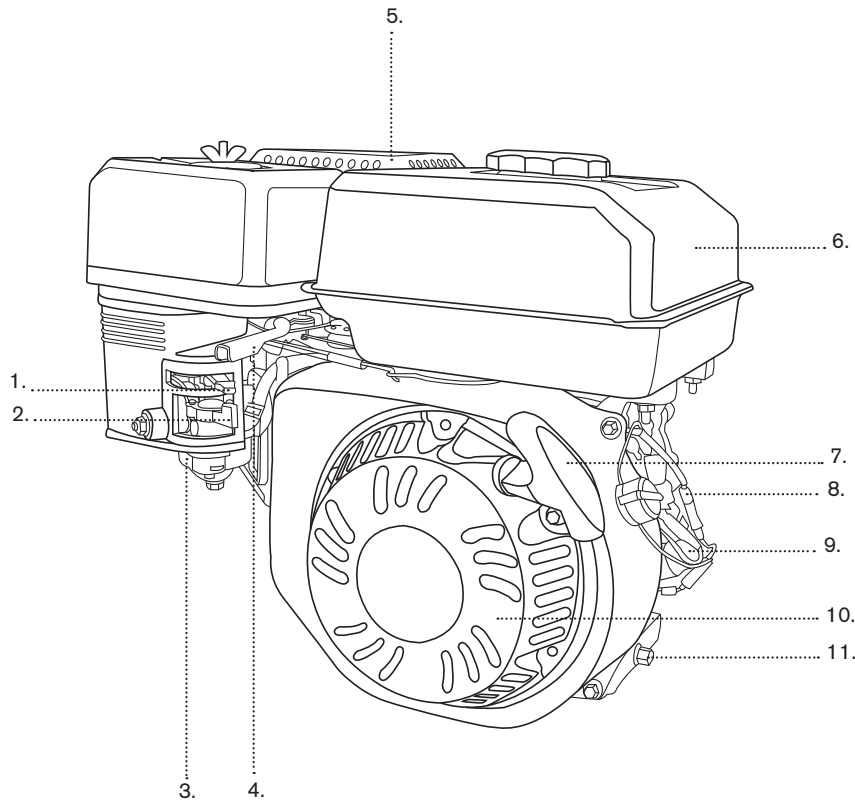


REF #	DESCRIPTION	PART #
1	Frame	85.600.125
2	Engine - 420cc Powerease	85.570.150
3	Pump - ZWD4040G	85.149.022
4	Wheel	85.660.050BF
5	Nozzle Set	85.210.040
6	Gun & Wand	85.205.056
7	Hose 50' x 3/8"	85.228.153



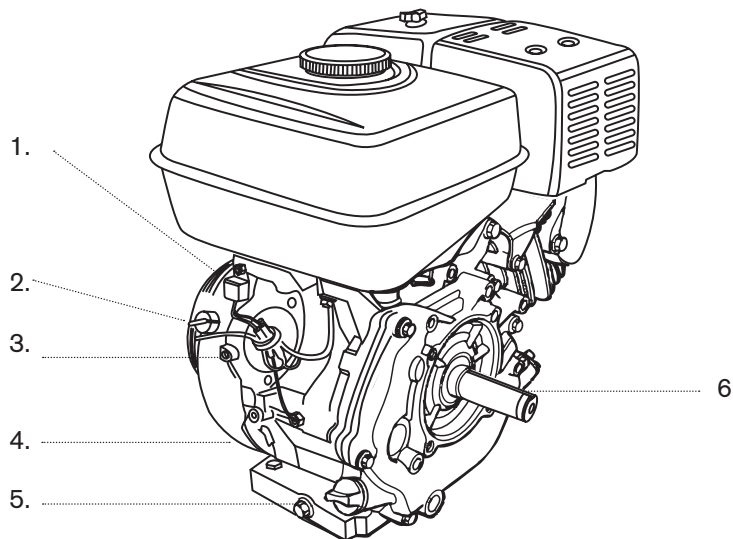
PRESSURE WASHER BREAKDOWN

B4015RCS



FRONT

1. Choke Lever
2. Fuel Valve
3. Carburetor
4. Throttle Lever
5. Air Cleaner
6. Fuel Tank
7. Starter Handle
8. Spark Plug
9. Oil Dipstick
10. Recoil Start
11. Oil Drain Plug



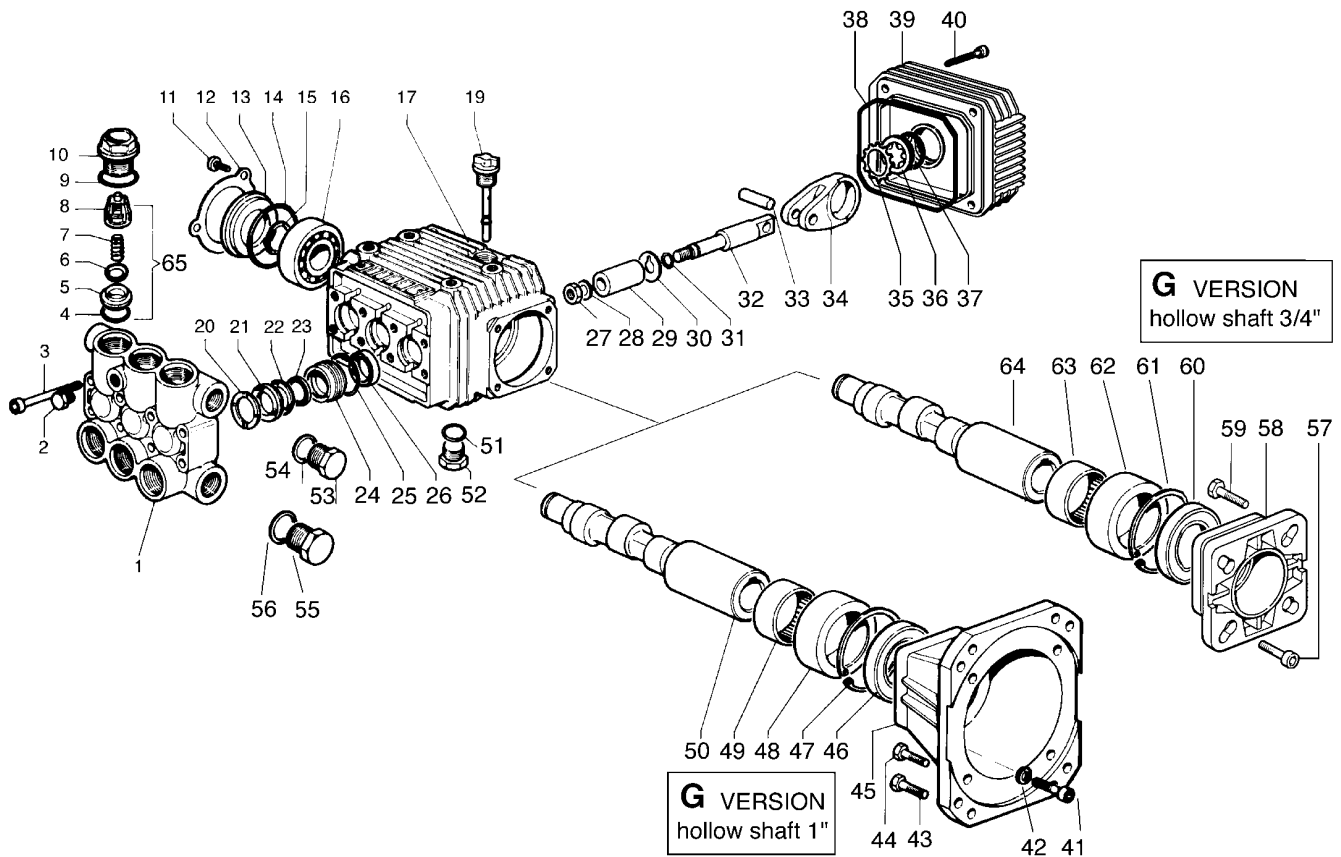
BACK

1. Starter Handle
2. Engine Switch
3. Low Oil Sensor
4. Oil Dipstick
5. Oil Drain Plug
6. Oil Plug



PRESSURE WASHER BREAKDOWN

B4015RCS



POS. ITEM	CODICE PART No.	KIT KIT	DESCRIZIONE DESCRIPTION	Q.tà Qty.	MODELLI MODELS
1	3218.0126.00		MANIFOLD Ø 15 BRASS	1	2530 G - 3030 G 3522 G - 3525 G 3530 G - 4020 G 4030 G
	3218.0127.00		MANIFOLD Ø 15 BRASS	1	3540 G - 4040 G
	3202.0018.00		CAP G1/8	1	
	3609.0152.00		SCREW M6X55	8	2530 G - 3030 G 3522 G - 3525 G 3530 G - 4020 G 4030 G
	3609.0156.00		SCREW M8X55	8	3540 G - 4040 G
4	1210.0046.00	A-D	O-RING 2,62X 17,13 mm	6	
5	3009.0087.00	A	VALVE SEAT	6	
6	3604.0017.00	A	VALVE PLATE	6	
7	1802.0177.00	A	SPRING	6	
8	1205.0025.00	A	VALVE GUIDE	6	
9	1210.0048.00	A-D	O-RING 2,62X 20,24 mm	6	
10	3202.0239.00		CAP	6	
11	3609.0088.00		SCREW M5X10	3	
12	1004.0012.00		CRANKCASE COVER	1	
13	0402.0172.00		SPACER	1	
14	1210.0386.00	D	O-RING 3,53X44,04 mm	1	
15	3019.0011.00		SNAP RING	1	
16	0438.0069.00		BALL BEARING 20X52X15 mm	1	
17	0403.0128.00		CRANKCASE	1	2530 G - 3030 G 3522 G - 3525 G 3530 G - 4020 G 4030 G
	0403.0141.00		CRANKCASE	1	3540 G - 4040 G
	3200.0051.00		OIL DIPSTICK	1	

POS. ITEM	CODICE PART No.	KIT KIT	DESCRIZIONE DESCRIPTION	Q.tà Qty.	MODELLI MODELS
20	0009.0196.00	B	HEAD RING Ø15 mm	3	
21	1241.0034.00	B	PACKING Ø15 mm	3	
22	0009.0223.00	B	RING Ø 15 mm	3	
23	1241.0030.00	B	PACKING 15X22X5,5 mm	3	
24	0009.0222.00		RING Ø15 mm	3	
25	1210.0223.00	B	O-RING 1,78X26,7 mm	3	
26	0019.0095.00	D	OIL SEAL15X24X5 mm	3	
27	0600.0048.00	C	NUT	3	
28	2811.0080.00	C	WASHER 8,2X14X1,5 mm	3	
29	0202.0020.00	C	PISTON Ø15 mm	3	
30	2812.0038.00	C	WASHER	3	
31	1210.0055.00	C-D	O-RING 1,78X 6,07 mm	3	
32	2409.0044.00		PISTON GUIDES	3	
33	3011.0014.00		WRIST. PIN	3	
34	0205.0050.00		CON. ROD	3	
35	3019.0033.00		SNAP RING Ø18 mm	1	
36	3201.0012.00		OIL INDICATOR	1	
37	1210.0333.00	D	O-RING 1,78X23,52 mm	1	
38	1210.0206.00	D	O-RING 2,62X101,27 mm	1	
39	0402.0220.00		CRANKCASE COVER	1	
40	3609.0041.00		SCREW M6X25	4	
51	1210.0441.00	D	O-RING2X14 mm	1	
52	3200.0007.00		CAP 3/8 GAS OT 58	1	
53	3200.0007.00		CAP 3/8 GAS OT 58	1	
54	2811.0084.00		WASHER 16,7x22x1,5 mm	1	
55	3202.0015.00		CAP G 1/2	1	
56	2811.0086.00		WASHER 21,2X27X1,5 mm	1	
65	1220.0030.00		VALVE ASS. BLY.	6	



PRESSURE WASHER BREAKDOWN

B4015RCS

G version (albero femmina / hollow shaft 1")

G version (albero femmina / hollow shaft 3/4")
solo / only : 2530 G

POS. ITEM	CODICE PART No.	KIT	DESCRIZIONE DESCRIPTION	Q.tà Qty.	MODELLI MODELS
41	3609.0032.00		SCREW M6X20	4	
42	2811.0023.00		WASHER 6,6X18X2 mm	4	
43	3607.0168.00		SCREW 3/8" 16x1"	4	
44	3607.0119.00		SCREW 5/16" 24x 1"	4	
45	3016.0023.00		FLANGE 1"	1	
46	0019.0102.00	D	OIL SEAL 40X62X7 mm	1	
47	3020.0012.00		SNAP RING C 72	1	
48	0204.0038.00		BUSHING	1	
49	0437.0045.00		ROLLER 40X47X16 mm	1	
50	0001.0386.00		CRANKSHAFT 1"	1	3522 G - 3525 G 3530 G - 3540 G
	0001.0387.00		CRANKSHAFT 1"	1	4020 G - 4030 G 4040 G
	0001.0398.00		CRANKSHAFT 1"	1	3030 G

POS. ITEM	CODICE PART No.	KIT	DESCRIZIONE DESCRIPTION	Q.tà Qty.	MODELLI MODELS
57	3609.0032.00		SCREW M6X20	4	
58	3016.0012.00		FLANGE 3/4"	1	
59	3607.0199.00		SCREW 5/16" 24X3/4"	4	
60	0019.0102.00	D	OIL SEAL 40X62X7 mm	1	
61	3020.0012.00		SNAP RING C 72	1	
62	0204.0038.00		BUSHING	1	
63	0437.0045.00		ROLLER 40X47X16 mm	1	
64	0001.0399.00		CRANKSHAFT 3/4"	1	

KIT VALVOLA ASP-MAND.
COMPLETE VALVE KIT
5025.0011.00

KIT A

POS. ITEM	CODICE PART No.	Q.tà Qty.
4	1210.0046.00	6
5	3009.0087.00	6
6	3604.0017.00	6
7	1802.0177.00	6
8	1205.0025.00	6
9	1210.0048.00	6

KIT GUARNIZIONI PISTONE / PISTON SEAL KIT
Ø 15 mm 5019.0064.00

KIT B

POS. ITEM	CODICE PART No.	Q.tà Qty.
20	0009.0196.00	3
21	1241.0034.00	3
22	0009.0223.00	3
23	1241.0030.00	3
25	1210.0223.00	3

KIT PISTONE / PISTON KIT
Ø 15 mm 2409.0071.00

KIT C

POS. ITEM	CODICE PART No.	Q.tà Qty.
27	0600.0048.00	3
28	2811.0080.00	3
29	0202.0020.00	3
30	2812.0038.00	3
31	1210.0055.00	3

KIT GUARNIZIONI POMPA / SEAL KIT
ALBERO FEMMINA / HOLLOW SHAFT 5019.0065.00

KIT D

POS. ITEM	CODICE PART No.	Q.tà Qty.
4	1210.0046.00	6
9	1210.0048.00	6
14	1210.0386.00	1
25	1210.0223.00	3
26	0019.0095.00	3
31	1210.0055.00	3
37	1210.0333.00	1
38	1210.0206.00	1
46-60	0019.0102.00	1
51	1210.0441.00	1