

FIGURE 1 - MK-1280 PAVER SAW - P/N 167492

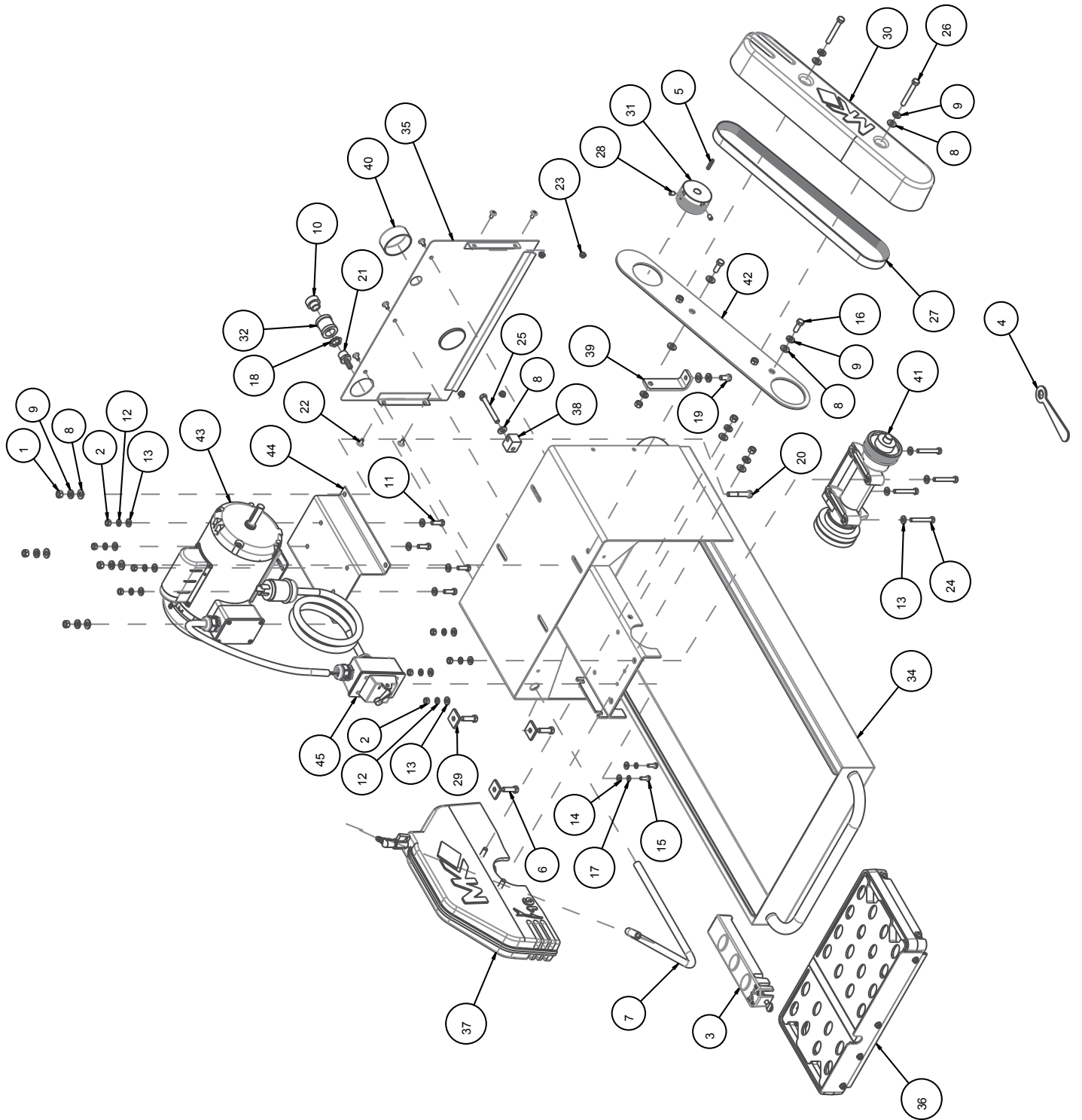
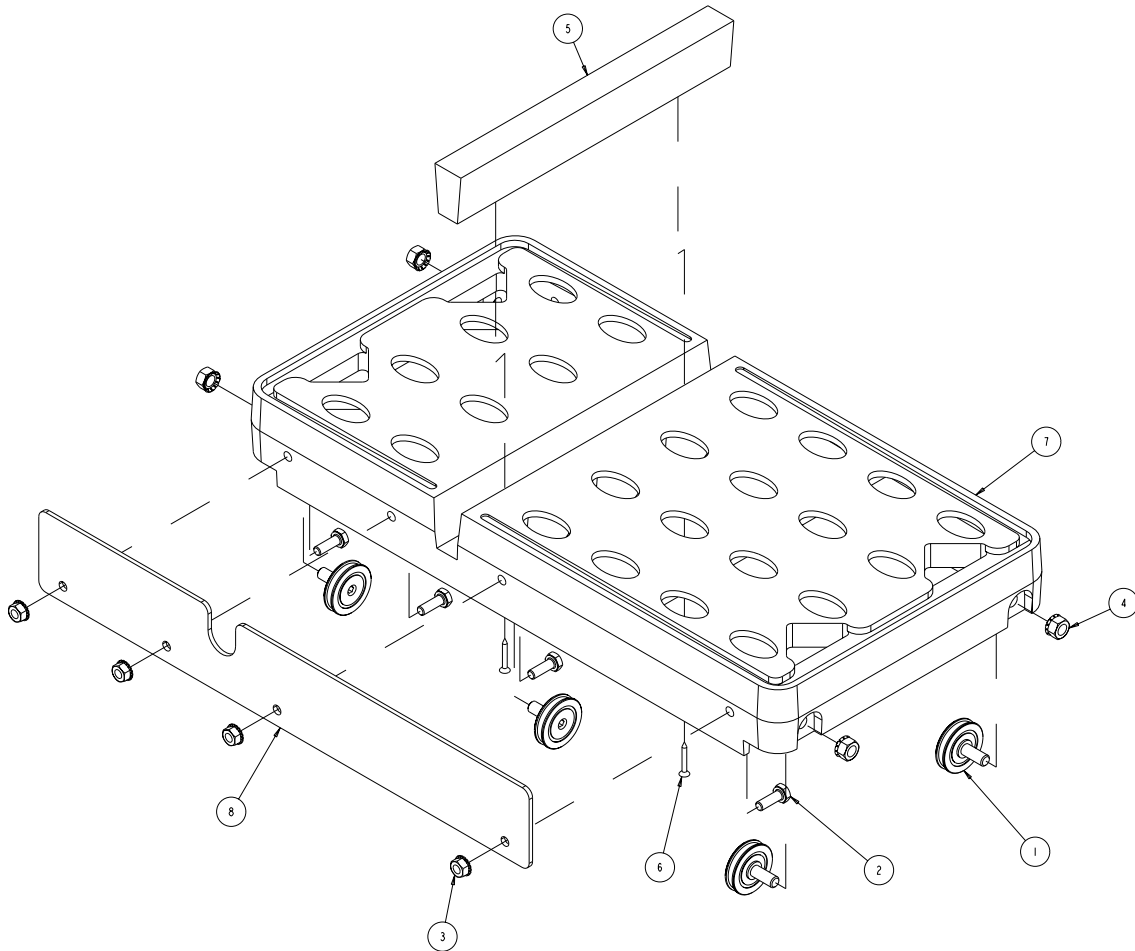


FIGURE 1 - MK-1280 PAVER SAW - P/N 167492

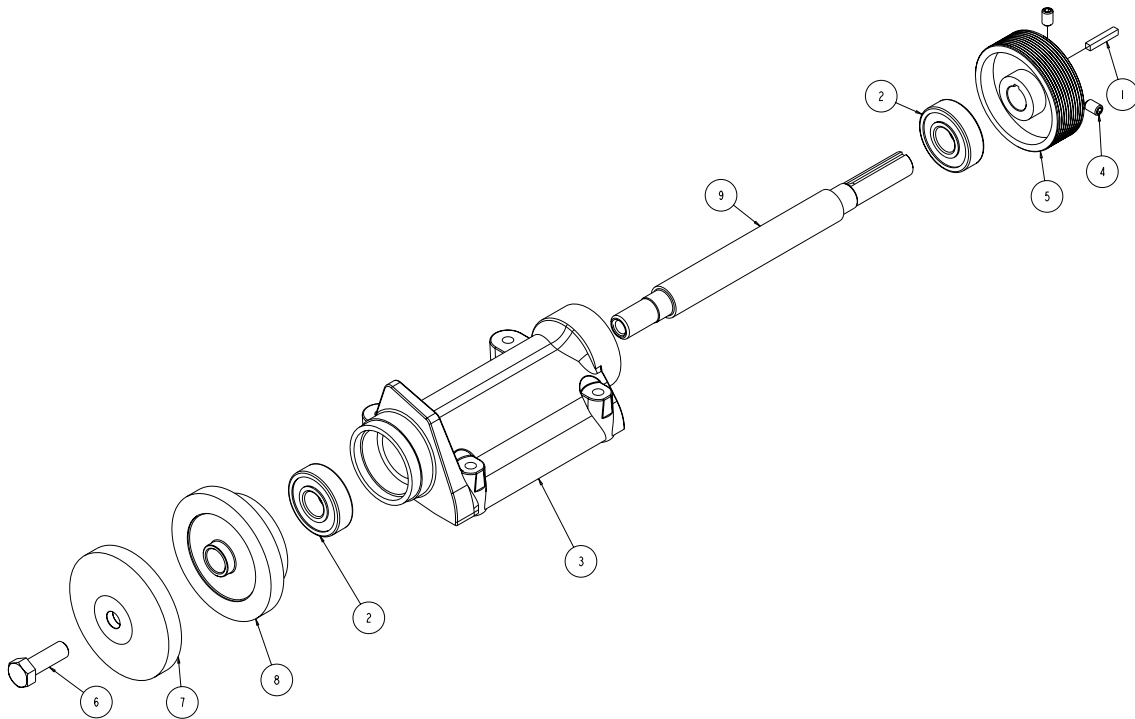
ITEM	DESCRIPTION	PART#	QTY
1	NUT, 3/8 16 HEX	101188	7
2	NUT, HEX, 5/16 - 18	101196	8
3	RIP GUIDE, BRICKBLOCK SA	132332-MK	1
4	WRENCH, 3/4 BOX END	134056	1
5	KEY, 3/16 SQ X 1-1/8	150344	1
6	SCREW, 3/8 - 16 X 1 - 1/4 HEX HEAD CAP	150774	3
7	HOSE, WATER VINYL 3/8 X 1/2, 30"	150845_18	1
8	WASHER, 3/8 SAE FLAT	150923	13
9	WASHER, 3/8 SPLIT LOCK	150925	11
10	FITTING, 1/2 MNPT X 3/4 FNH	151322	1
11	SCREW, HEX, HD, 5/16-18X1	151743	4
12	WASHER, LOCK, SPLIT, 5/16	151747	4
13	WASHER, FLAT, SAE, 5/16	151754	8
14	WASHER, 1/4 SAE, FLAT	151915	4
15	SCREW, HEX HD, 1/4 - 20 X 3/4	152370	2
16	SCREW, HEX HD CAP, 3/8 - 16 X 1	152507	2
17	WASHER, 1/4 SPLIT LOCK	152591	2
18	NUT, LOCK STEEL 1/2" NPT	152729	1
19	SCREW, HEX, 3/8 - 16 X 3/4	153527	1
20	SCREW, HEX HD, CAP, 3/8-16 X 2-1/4	1532529	1
21	FITTING, 1/2 MNPT X 3/8 BARB	153653	1
22	SCREW, 1/4 - 20 X 1/2 TRUSS HEAD	153880	7
23	NUT, HEX, TW, 1/4 - 20	153941	4
24	SCREW, HEX, 5/16 - 18 X 2 - 1/4	153951	4
25	BOLT, HEX HEAD TAP, 3/8 - 16 X 3	155830	1
26	SCREW, HEX HD CAP, 3/8 - 16 X 2 - 3/4	156774	2
27	BELT, 10J430	156837	1
28	SCREW, 5/16-18 X 3/8 SOCKET HEAD SET	157084	2
29	WASHER, SQR, 7/16 X 1 - 1/4 X 3/16	157567	3
30	BELT GUARD, OUTER, ARBOR, COMP	160888	1
31	PULLEY, 10J28 X 5/8 BORE	160949	1
32	FITTING, 1/2 NPT COUPLER	164208	1
33	ASSY, WARN LBL, MSNRY, ELEC WET	166011-EW	1
34	FRAME, MAIN MK-1280	166555	1
35	BACKSPLASH, MK-1280	166576	1
36	ASSY, TABLE, MK-1280	166577	1
37	ASSY, BLADE GUARD, 16", MK-1280	166581	1
38	GUIDE, TENSION	167750	1
39	BRACKET, BELT GUARD	167763	1
40	CAP, VACUUM	167777	1
41	ASSY, ARBOR, ELEC 1280	168712	1
42	GUARD, BELT, INNER	168713	1
43	MTR, 2HP 230V 3450RPM PL3515M-COMP	172788	1
44	MOUNT, MOTR, ELEC	172833	1
45	ASSY, SWITCH BOX, 30AMP, 2002-16	172836-9	1

FIGURE 2 - ASSY, TABLE - P/N 166577



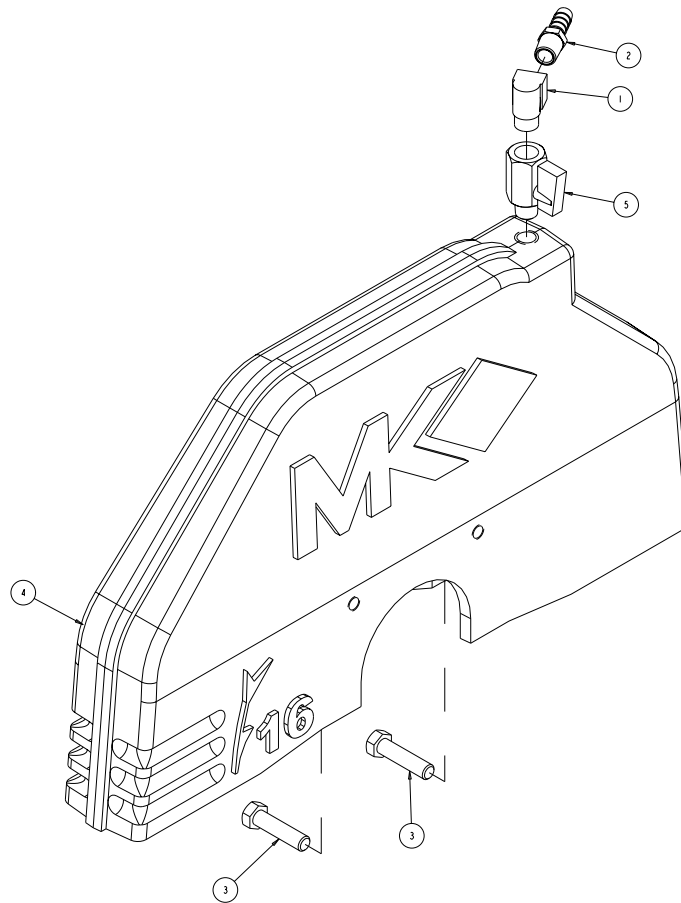
ITEM	DESCRIPTION	PART#	QTY
1	WHEEL, CONVEYOR CART	133090	4
2	SCREW, HEX HD, 1/4 - 20 X 3/4	152370	4
3	NUT, HEX W/WSHR, 1/4 - 20	153941	4
4	NUT, HEX, TW, 5/16 - 18	153942	4
5	WOOD STRIP, TABLE INSERT	158283	1
6	SCREW, DRYWL, FLAT HD, #6X1	159906	2
7	CASTING, TABLE, MK-1280	165398	1
8	BACKSTOP, TABLE	166584	1

FIGURE 3 - ASSY, ARBOR - P/N 166579



ITEM	DESCRIPTION	PART#	QTY
1	KEY, 3/16 SQ X 1 - 1/8	150344	1
2	BEARING, ARBOR HOUSING	154594	2
3	CASTING, 2000/5000 ARBPR - COMP	154637	1
4	SCREW, 5/16 - 18 X 3/8 SOCKET HEAD SET	157084	2
5	PULLEY, 10J28 X 5/8 BORE	157466	1
6	SCREW, 1/2 - 13 X 1-1/12 HEX HEAD, LEFT HAND	160818	1
7	FLANGE, OUTER, MASONRY, 4"	161304	1
8	FLANGE, INNER, MASONRY, 4"	161305	1
9	SHAFT, BLADE	166586	1

FIGURE 4 - ASSY, 16" BLADE GUARD - P/N 166581



ITEM	DESCRIPTION	PART#	QTY
1	ELBOW, 1/4 MNPT STREET	154615	1
2	FITTING, 1/4 MNPT X 3/8 BARB	154659	1
3	SCREW, HEX HEAD 3/8 - 16 X 1 - 1/2 LG.	156656	2
4	CASTING, BLADE GUARD, 16" - COMP	166558	1
5	VALVE, BALL, 1/4"M TO 1/4"F	231248	1