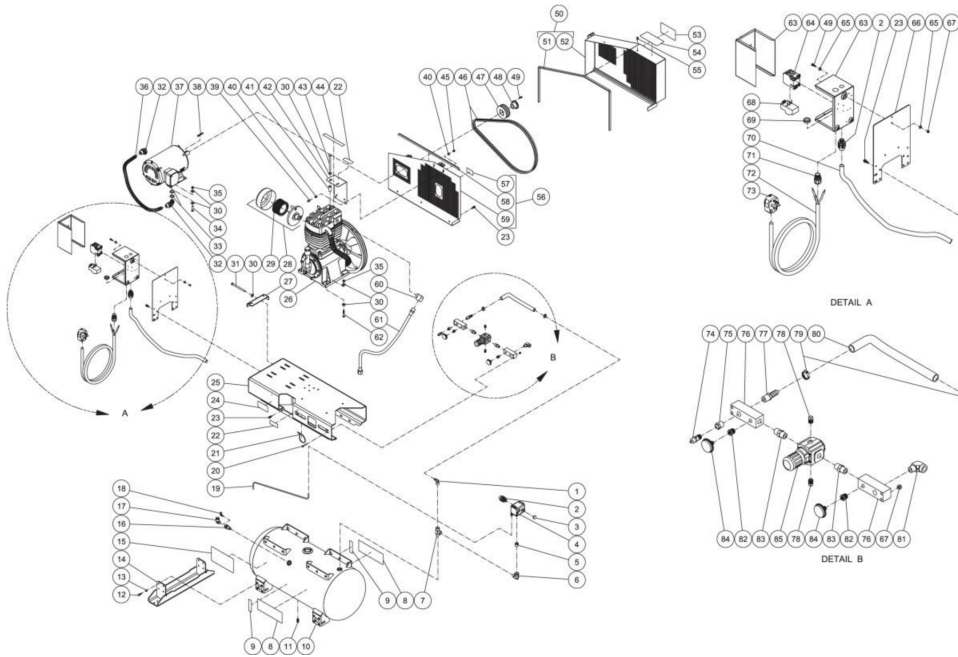




AM2-S375-30M / AM2-S375-30M (sn:0-99999999)

TANK ASSEMBLY



Id	Item #	Description	Quantity
1	23-0418	ELBOW	1
2	32-0255	CONDUIT FITTING	2
3	39-0014	PLUG HEYCO	1
4	22-0277	PRESSURE SWITCH	1
5	23-0056	REDUCER	1
6	24-0006	ELBOW	1
7	24-0242	STREET TEE	1
8	34-0828	DECAL- MI-T-M AIR COMPRESSORS	2
9	N/A Sep.	DECAL- TANK DRAIN (SEE 34-9016)	2
10	N/A	AIR TANK ASSEMBLY	1
11	23-0312	PETCOCK	1
12	27-0067	BOLT	16
13	29-0007	LOCKWASHER	16
14	20-0862A01	SUPPORT FOOT ASSEMBLY	2
15	N/A Sep.	DECAL- DANGER/WARNING/CAUTION (SEE 34-9016)	1

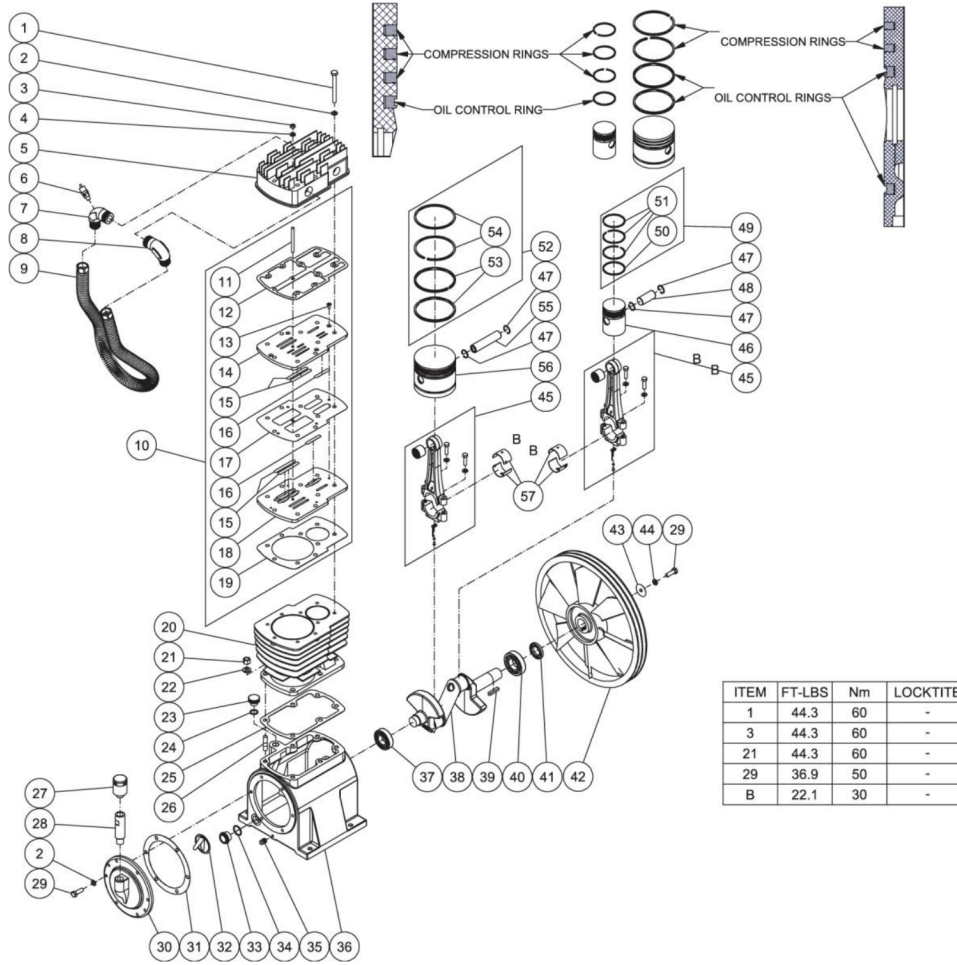
Id	Item #	Description	Quantity
16	22-0398	CHECK VALVE	1
17	24-0469	ELBOW	1
18	23-0316	ELBOW	1
19	54-0034	COPPER LINE *(THREE FEET REQUIRED)	1
20	27-0019	BOLT	4
21	33-0022	CABLE TIE	1
22	N/A Sep.	DECAL- WARNING: RISK OF BURNS (SEE 34-9016)	2
23	27-9524	BOLT	19
24	N/A	DECAL- DATA PLATE	1
25	5-0251A01	BASEPLATE	1
26	3-0304	PUMP	1
27	20-0461A01	BELT TENSIONER PLATE	1
28	19-0237	FILTER CANISTER	1
29	19-0226	FILTER REPLACEMENT	1
30	28-0023	FLATWASHER	19
31	27-0133	BOLT	3
32	32-0254	CONDUIT ELBOW	2
33	32-0814	REDUCING WASHER	1
34	27-0119	BOLT	4
35	30-0159	LOCKNUT	8
36	32-0253	CONDUIT FLEX *(THREE FEET REQUIRED)	1
37	2-0167	MOTOR - 7.5 HP	1
38	43-0078	KEY	1
39	27-0066	BOLT	2
40	28-0003	WASHER	4
41	20-1020A52	SPACER	2
42	13-0192A01	BELTGUARD STABILIZER	1
43	27-08074	BOLT	2
44	N/A Sep.	DECAL- CHECK OIL TAPE (SEE 34-9016)	1
45	30-0157	LOCKNUT	2
46	11-0069	DRIVE BELT	2
47	10-0067	SHEAVE	1
48	9-0010	BUSHING	1
49	27-0015	BOLT	5
50	854-0067	BELTGUARD COVER ASSEMBLY (INC. 51-52)	1
51	33-0020	EDGING *(SIX FEET REQUIRED)	1
52	N/A Sep.	BELTGUARD COVER (SEE 851-0364)	1
53	N/A Sep.	DECAL- MAINTENANCE INSTRUCTIONS (SEE 34-9016)	1
54	N/A Sep.	DECAL- OPERATING INSTRUCTIONS (SEE 34-9016)	1

Id	Item #	Description	Quantity
55	33-0197	FASTENER	2
56	851-0066	BELTGUARD BACK ASSEMBLY (INC. 57-59)	1
57	N/A Sep.	DECAL- WARNING: BELTGUARD IN PLACE (SEE 34-9016)	1
58	33-0020	EDGING *(THREE FEET REQUIRED)	1
59	N/A Sep.	BELTGUARD BACK (SEE 851-0363)	1
60	23-0081	ELBOW	1
61	15-0278	HOSE	1
62	27-0121	BOLT	4
63	32-0890	ELECTRICAL BOX	1
64	32-0235	CONTACTOR	1
65	28-0002	WASHER	6
66	13-0174A01	ELECTRIC PLATE	1
67	30-0155	LOCKNUT	7
68	32-0483	OVERLOAD RELAY	1
69	32-0292	LOCKNUT	1
70	32-0253	CONDUIT FLEX *(THREE FEET REQUIRED)	1
71	9-0046	CORD RELIEF	1
72	33-0021	CORD *(TEN FEET REQUIRED)	1
73	32-0012	PLUG	1
74	22-0267	PRESSURE RELIEF VALVE	1
75	23-0017	BUSHING	1
76	51-0033	MANIFOLD BLOCK	2
77	23-0105	HOSE BARB	1
78	24-0009	PLUG	2
79	42-0011	HOSE CLAMP	2
80	15-0007	HOSE *(TWO FEET REQUIRED)	1
81	24-0105	ELBOW	1
82	23-0111	REDUCER	2
83	24-0010	NIPPLE	2
84	22-0271	PRESSURE GAUGE	2
85	22-0395	ADJUSTABLE REGULATOR W/PLUG	1
	34-9016	DECAL KIT (INC. 9, 15, 22, 44, 53-54, 57)	
		*MUST ORDER IN ONE FOOT LENGTHS	



· AM2-S375-30M / AM2-S375-30M (sn:0-99999999)

PUMP ASSEMBLY



ITEM	FT-LBS	Nm	LOCKTITE
1	44.3	60	-
3	44.3	60	-
21	44.3	60	-
29	36.9	50	-
B	22.1	30	-

Id	Item #	Description	Quantity
1	27-8072	BOLT	9
2	28-1059	COPPER WASHER	15
3	30-0058	NUT	1
4	28-1011	WASHER	1
5	46-1318	PUMP HEAD	1
6	22-0362	LP SAFETY VALVE	1
7	24-0310	OUTLET ELBOW W/PORT	1
8	24-0311	OUTLET ELBOW	1
9	46-1319	INTERCOOLER TUBE	1
10	70-0505	VALVE PLATE GASKETS/REEDS (INC. 11-19)	1

Id	Item #	Description	Quantity
11	N/A	STUD	1
12	N/A	GASKET	1
13	N/A	SCREW	4
14	N/A	UPPER VALVE PLATE	1
15	N/A	LP REED VALVE	4
16	N/A	HP REED VALVE	2
17	N/A	GASKET	1
18	N/A	LOWER VALVE PLATE	1
19	N/A	GASKET	1
20	46-1320	CYLINDER	1
21	N/A	HEX NUT	6
22	N/A	LOCKWASHER	6
23	46-1281	OIL FILL CAP	1
24	25-0160	O-RING	1
25	N/A	GASKET	1
26	N/A	STUD	6
27	46-1276	BREATHER ASSY	1
28	46-1277	BREATHER PIPE	1
29	N/A	BOLT	7
30	46-1278	REAR CRANKCASE COVER	1
31	N/A	GASKET	1
32	46-1279	OBSTRUCT OIL NET	1
33	46-1280	OIL LEVEL SIGHT GLASS	1
34	25-0150	O-RING	1
35	24-0009	PLUG	1
36	46-1321	PUMP CRANKCASE	1
37	48-0024	BALL BEARING	1
38	46-1322	PUMP CRANKSHAFT	1
39	43-0125	KEY	1
40	48-0014	BALL BEARING	1
41	N/A	OIL SEAL	1
42	10-0141	FLYWHEEL	1
43	N/A	WASHER	1
44	29-0055	LOCKWASHER	1
45	70-0506	KIT - CONNECTING ROD ASSY	2
46	46-1323	HP PISTON	1
47	46-1324	PISTON PIN SNAP RING	4
48	46-1325	HP PISTON PIN	1
49	70-0507	KIT - HP PISTON RINGS	1

Id	Item #	Description	Quantity
50	N/A	OIL RING	1
51	N/A	COMPRESSION RING	3
52	70-0508	KIT - LP PISTON RINGS	1
53	N/A	OIL RING	2
54	N/A	COMPRESSION RING	2
55	46-1326	LP PISTON PIN	1
56	46-1327	LP PISTON	1
57	46-1328	CONNECTING ROD BUSHING	4
KIT	70-0509	PUMP GASKETS KIT (INC. 12, 17, 19, 25, 31)	1