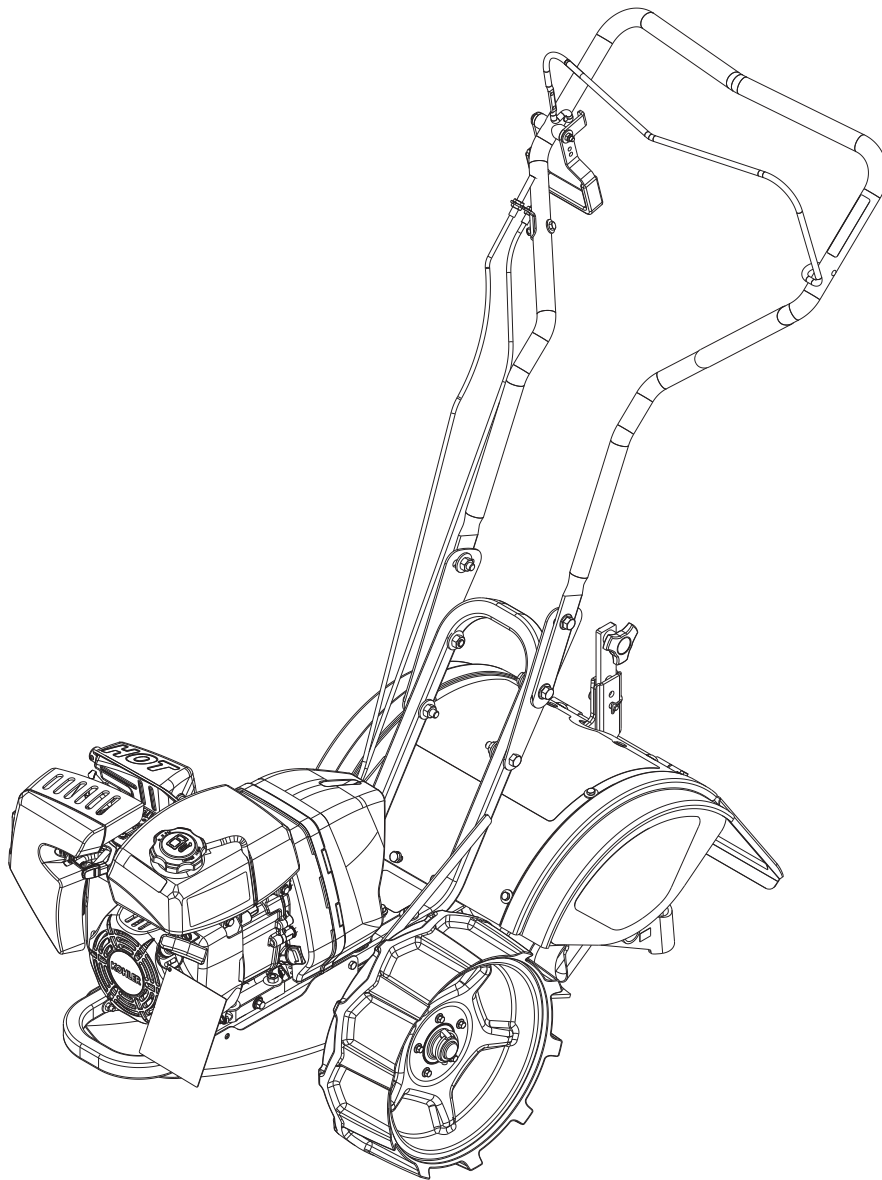


Earthquake®

Operator's Manual

Rototiller Victory

SN

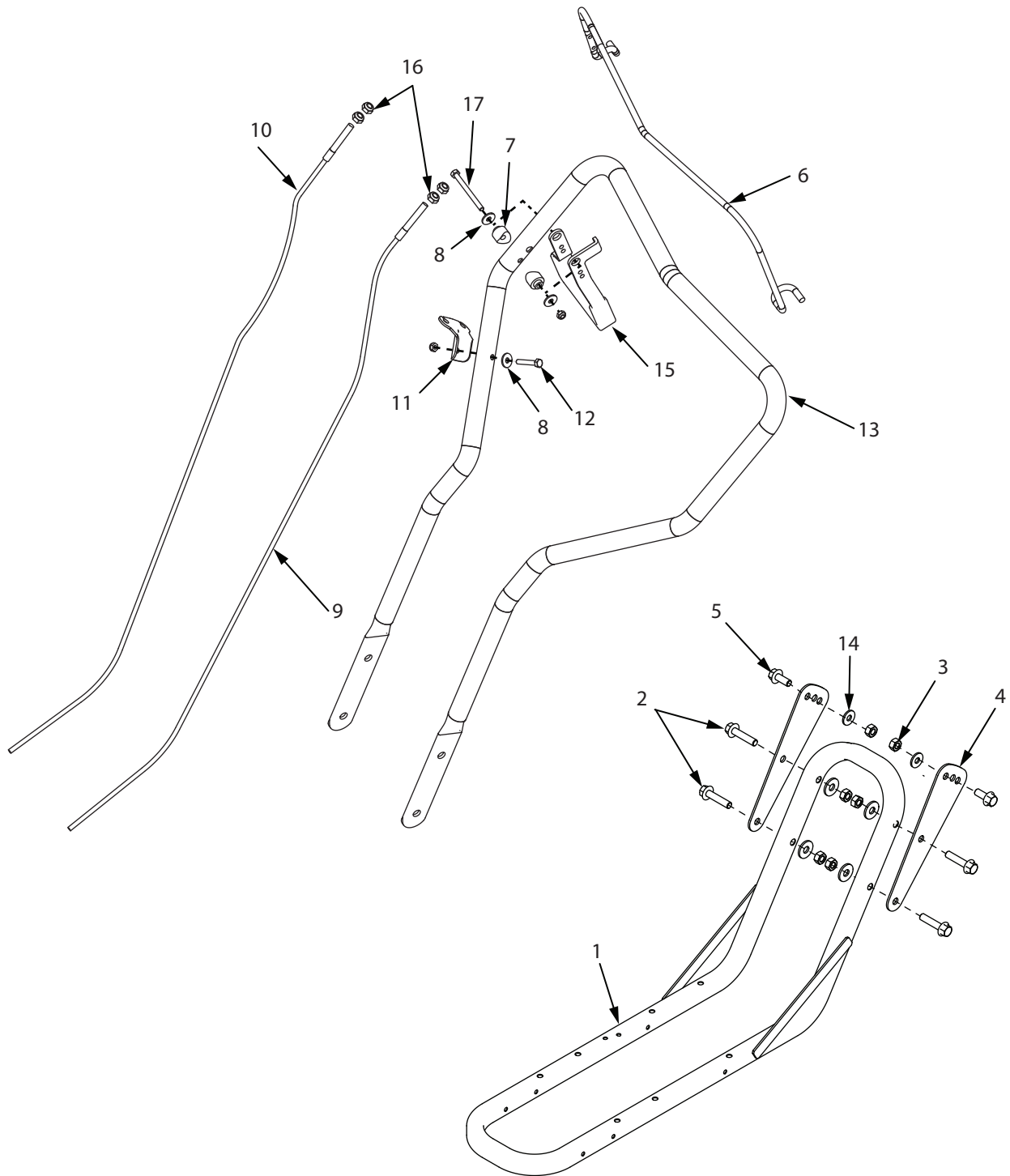


PRODUCT #: 29702
KOHLER 196CC ENGINE



PN: 29708
ECN: 11765
REV1: 09/12/2017
© 2016 Ardisam, Inc.
All Rights Reserved

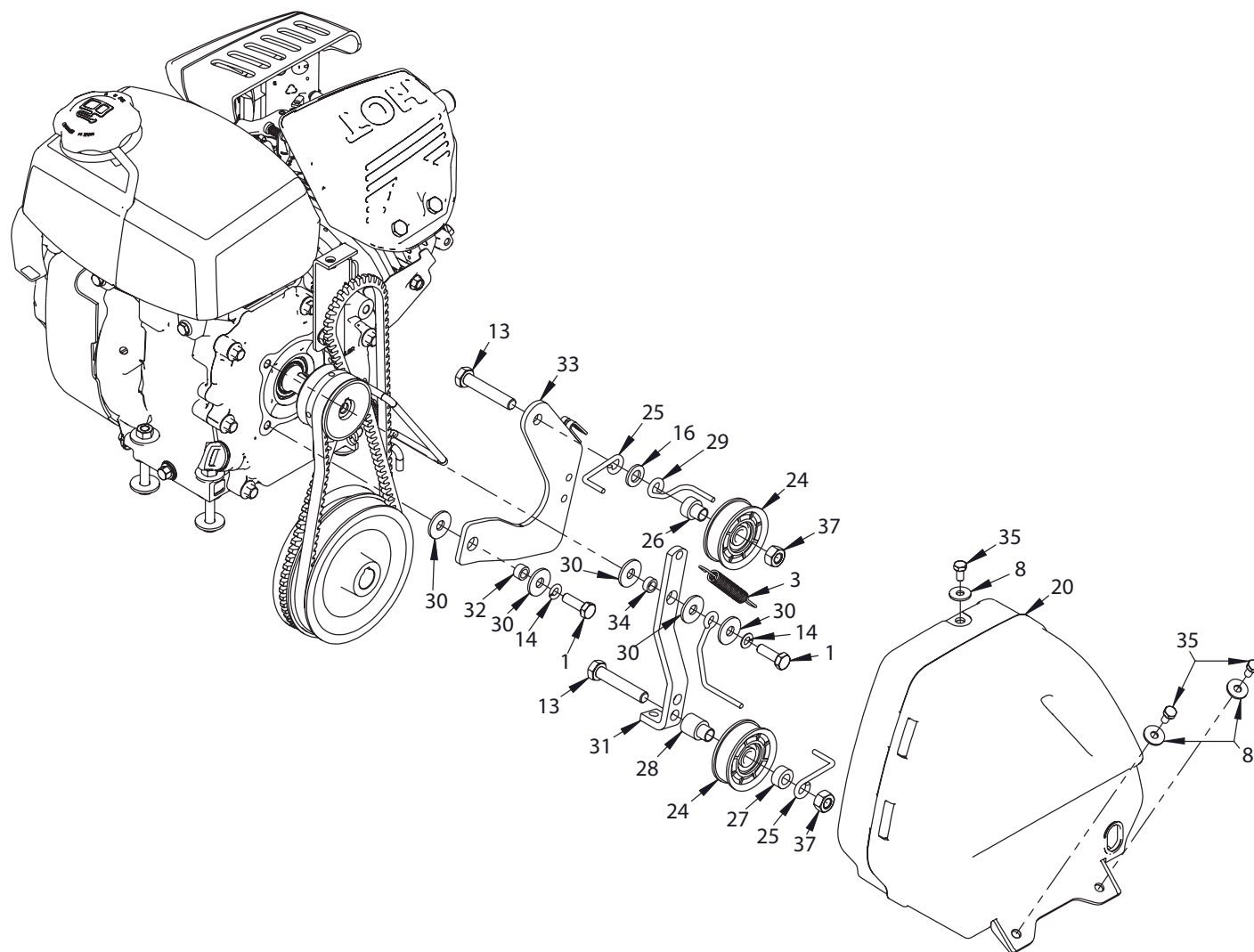
ILLUSTRATED PARTS BREAKDOWN



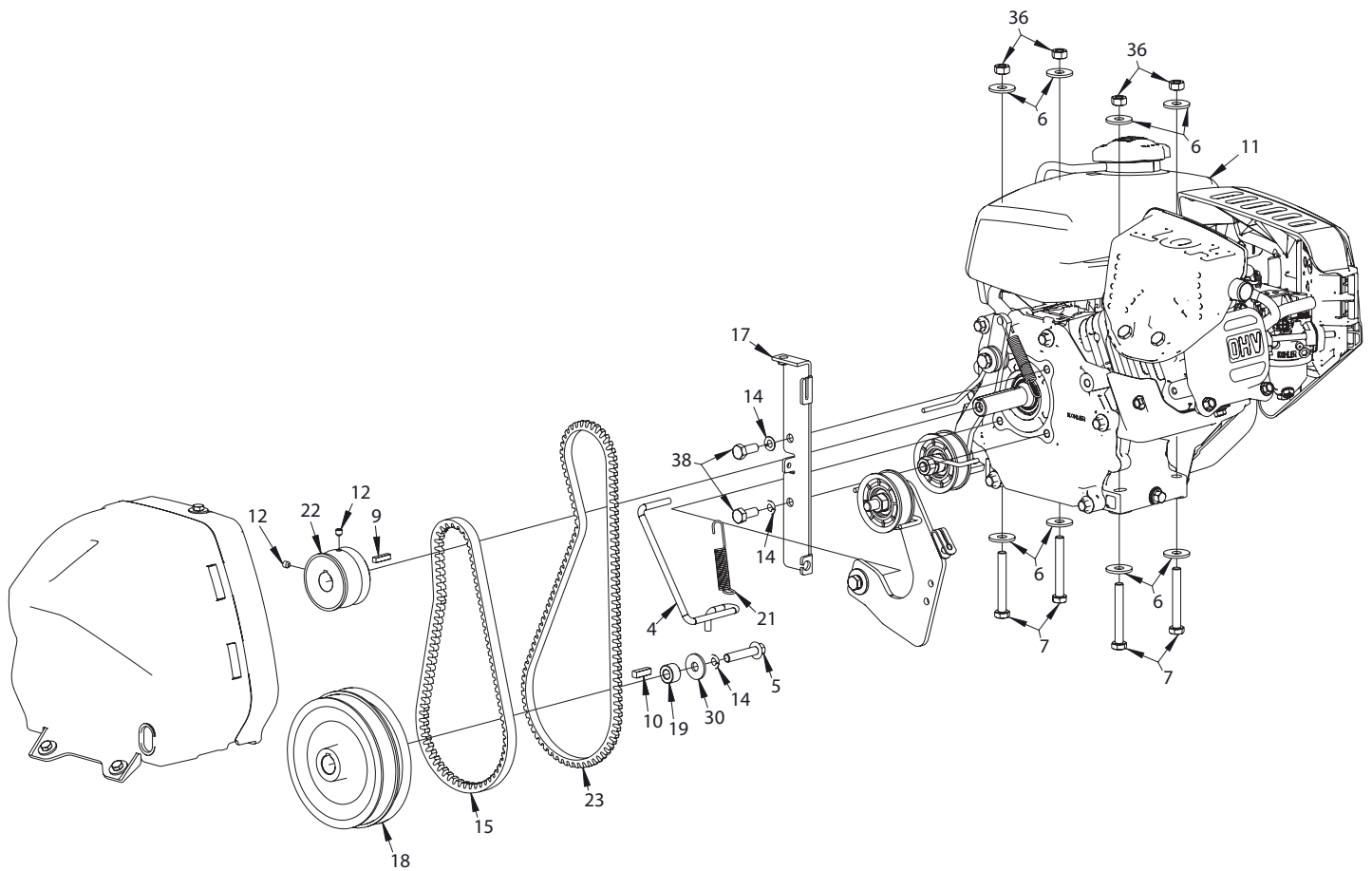
ILLUSTRATED PARTS BREAKDOWN

ITEM #	PART #	DESCRIPTION	QTY.
1	19867	ENGINE MOUNT	1
2	11509	BOLT M10 X 45	4
3	W1265V0903	NUT M10	6
4	13285	HANDLEBAR ADJUSTMENT PLATE	2
5	19124	BOLT M10 X 25	2
6	24603	FORWARD DRIVE LEVER	1
7	24610	REVERSE HANDLE SPACER	2
8	20141	WASHER M6	3
9	24606	REVERSE CABLE	1
10	24605	FORWARD CABLE	1
11	25490	CABLE BRACKET	1
12	18104	BOLT M6 X 35	1
13	24602	HANDLEBAR	1
14	19905	WASHER M10	6
15	25744	REVERSE DRIVE LEVER	1
16	4620	NUT M8	4
17	25755	BOLT M6 X 70	1

ILLUSTRATED PARTS BREAKDOWN



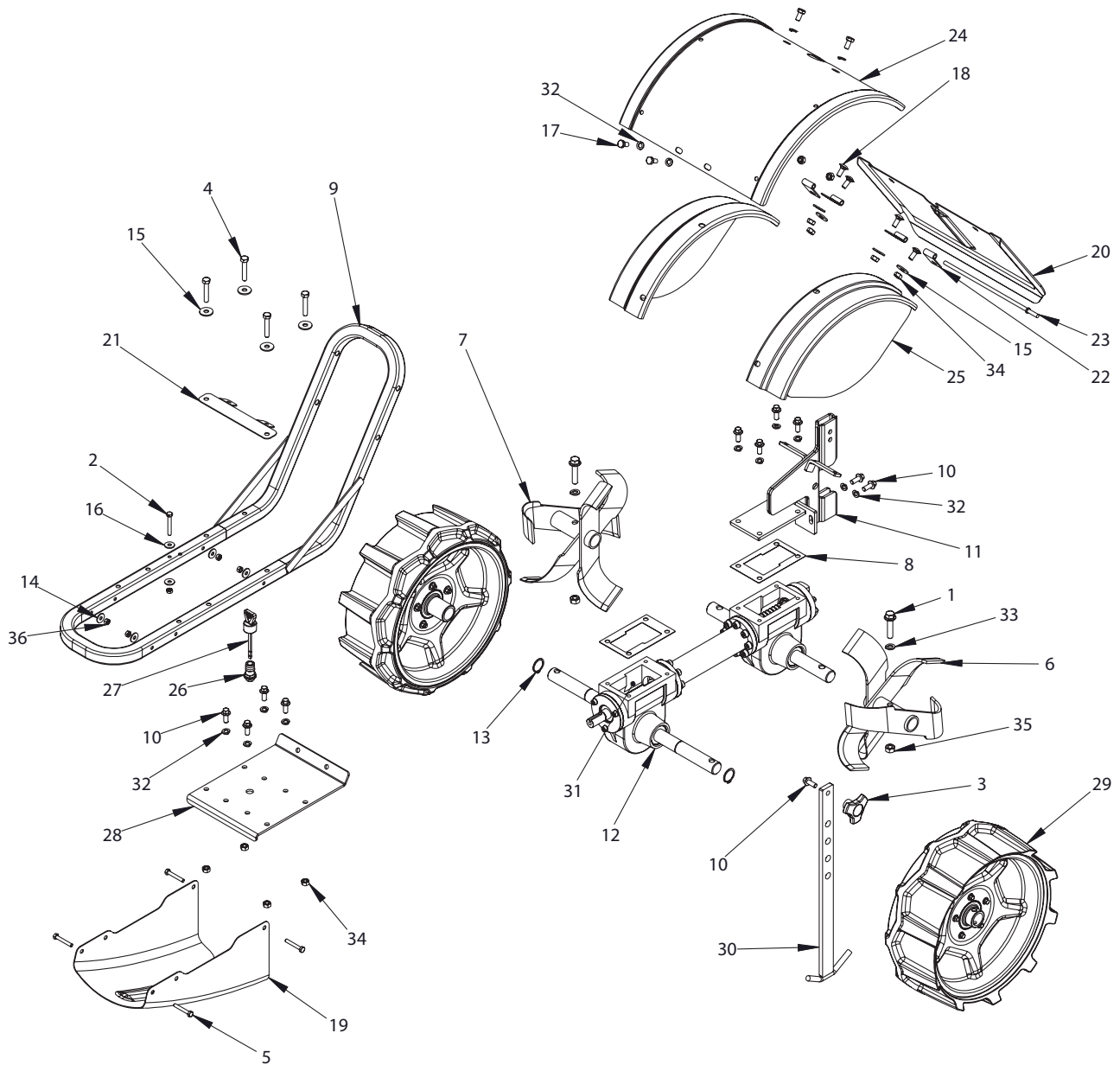
ILLUSTRATED PARTS BREAKDOWN



ILLUSTRATED PARTS BREAKDOWN

ITEM#	PART #	DESCRIPTION	QTY.	ITEM#	PART #	DESCRIPTION	QTY.
1	13826	BOLT M8 X 25	2	26	25888	REVERSE PULLEY SPACER LONG	1
2	14030	BELT GUIDE	1	27	25889	REVERSE PULLEY SPACER SHORT	1
3	1407	FORWARD ARM SPRING	1	28	25890	FORWARD PULLEY SPACER	1
4	19895	BELT GUIDE	1	29	26564	BELT GUIDE	1
5	19922	BOLT M8 X 40	1	30	3245	WASHER M8	6
6	20143	WASHER M8	8	31	53617	FORWARD ARM	1
7	20144	BOLT M8 X 60	4	32	53637	FORWARD ARM BUSHING	1
8	20148	WASHER M6	3	33	53682	REVERSE ARM	1
9	20176	ENGINE PULLEY KEY	1	34	743	REVERSE ARM BUSHING	1
10	20197	TRANSMISSION PULLEY KEY	1	35	W1200115	BOLT M6 X 12	3
11	20902	ENGINE RH265-3108 KOHLER 196CC	1	36	W1265V0900	NUT M8	4
12	20919	SET SCREW M6 X 8	2	37	W1265V0903	NUT M10	2
13	21600	BOLT M10 X 55	2	38	W1265V0904	BOLT M8 X 20	2
14	21640	WASHER M8	5				
15	22773	BELT 4LXA 12MM X 660MM	1				
16	2431	WASHER M10	1				
17	24614	CABLE MOUNT PLATE	1				
18	24616	TRANSMISSION PULLEY	1				
19	24617	DRIVE SHAFT SPACER	1				
20	24771	BELT GUARD	1				
21	24885	REVERSE ARM SPRING	1				
22	24950	ENGINE PULLEY	1				
23	24995	BELT 4LXA 10MM X 814MM	1				
24	25881	IDLER PULLEY	2				
25	25885	BELT GUIDE	2				

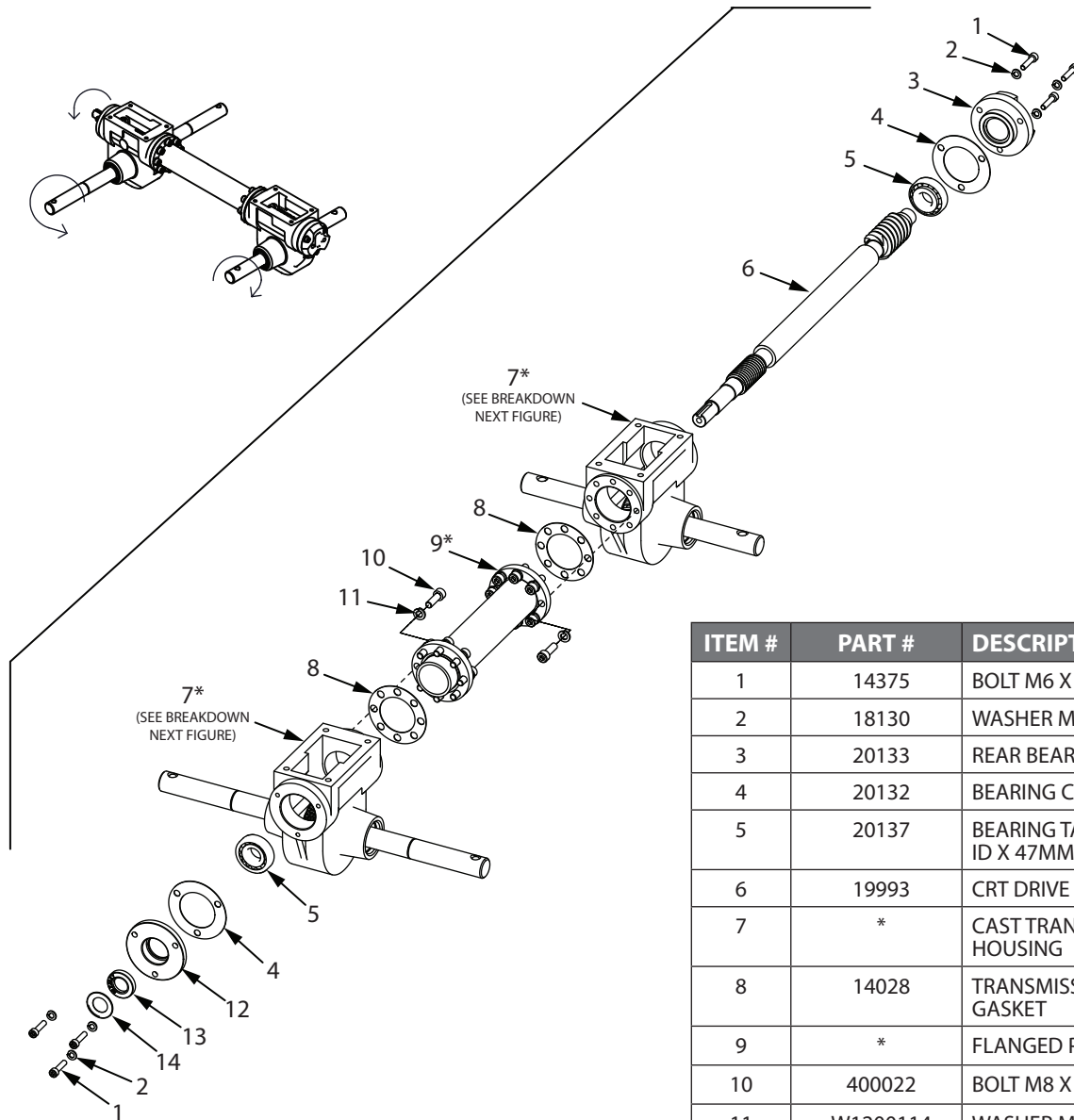
ILLUSTRATED PARTS BREAKDOWN



ILLUSTRATED PARTS BREAKDOWN

ITEM #	PART #	DESCRIPTION	QTY.
1	11509	BOLT M10 X 45	2
2	11946	BOLT M6 X 45	1
3	13601	KNOB M8	1
4	18098	BOLT M8 X 45	4
5	18103	BOLT M6 X 40	4
6	1900LCRT	LEFT TINE SET	1
7	1900RCRT	RIGHT TINE SET	1
8	19864	TRANSMISSION COVER GASKET	2
9	19867	ENGINE MOUNT	1
10	19945	BOLT M8 X 20	11
11	20003	TAIL MOUNT	1
12	20111	CRT TRANSMISSION	1
13	20138	SNAP RING 25MM	2
14	20141	WASHER M6	5
15	20143	WASHER M8	8
16	20148	WASHER M6	1
17	20150	BOLT M8 X 15	4
18	23205	BOLT M8 X 20	4
19	24764	LOWER PAN	1
20	24778	BEAVER TAIL	1
21	24782	BELT GUARD MOUNT	1
22	24868	HINGE BRACKET	4
23	24869	HINGE ROD	1
24	24870	TINE HOOD	1
25	24873	SIDE SHIELD	2
26	24877	TRANSMISSION VENT M16	1
27	24879	TRANSMISSION DIPSTICK	1
28	24880	TINE HOOD MOUNT	1
29	28365	TIRE	2
30	53655	CRT DRAG STAKE	1
31	OIL00	MYSTIC CL 00 (760 GRAMS)	1
32	W1200114	WASHER M8	14
33	W1200119	WASHER M10	2
34	W1265V0900	NUT M8	10
35	W1265V0903	NUT M10	2
36	W1265V0913	NUT M6	5

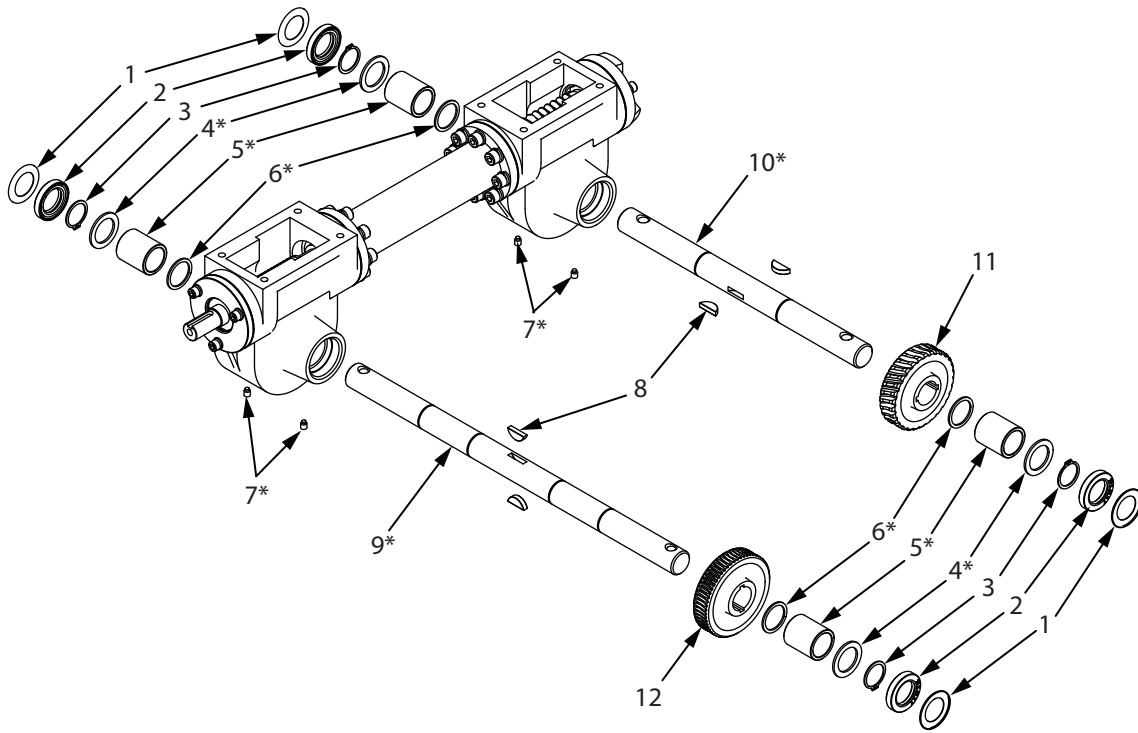
ILLUSTRATED PARTS BREAKDOWN - Transmission Detailed Breakdown



ITEM #	PART #	DESCRIPTION	QTY
1	14375	BOLT M6 X 25	6
2	18130	WASHER M6	6
3	20133	REAR BEARING CAP	1
4	20132	BEARING CAP GASKET	2
5	20137	BEARING TAPERED 20MM ID X 47MM OD	2
6	19993	CRT DRIVE SHAFT	1
7	*	CAST TRANSMISSION HOUSING	2
8	14028	TRANSMISSION HOUSING GASKET	2
9	*	FLANGED PIPE	1
10	400022	BOLT M8 X 25	16
11	W1200114	WASHER M8	16
12	20134	FRONT END CAP	1
13	20136	DRIVE SHAFT SEAL 20 MM X 35 MM	1
14	20131	DRIVE SHAFT SEAL COVER	1

* ORDER TRANSMISSION ASSEMBLY 20111

ILLUSTRATED PARTS BREAKDOWN - Transmission Detailed Breakdown



ITEM #	PART #	DESCRIPTION	QTY
1	20130	AXLE SHAFT SEAL COVER	4
2	20135	AXLE SHAFT SEAL 25 MM X 40 MM	4
3	20138	SNAP RING 25MM	4
4	*	SHIM 37 X 26 X 2 MM	4
5	*	BUSHING 25 X 32 X 36.5 MM	4
6	*	SHIM 26 X 32 X 1.5 MM	4
7	*	SETSCREW M6 X 8.5	4
8	1500P113	GEAR KEY	4
9	*	WHEEL AXLE	1
10	*	TINE AXLE	1
11	20128	TINE GEAR 30 TOOTH	1
12	19982	WHEEL GEAR 61 TOOTH	1
* ORDER TRANSMISSION ASSEMBLY 20111			