



FIELDS EDGE™

STRING MOWERS

Operator's Manual
String Mower M220

SN



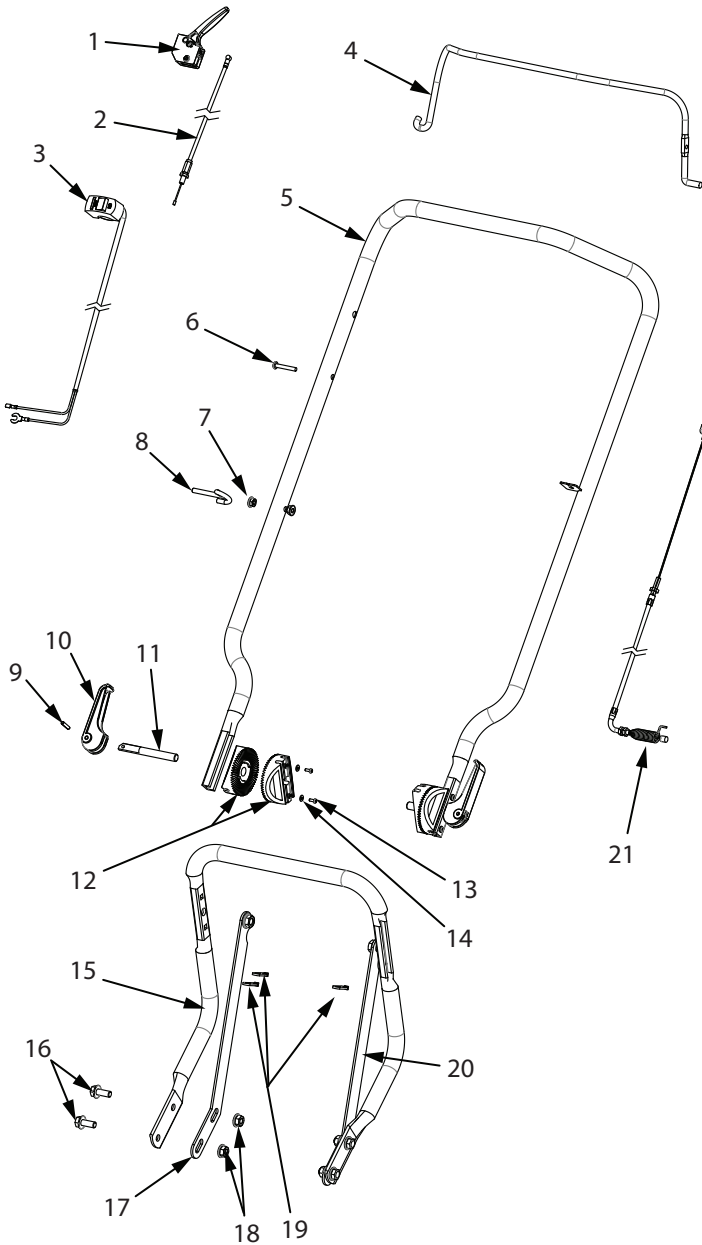
19444-0001R1



P/N: 19444
ECN: 10414
REV1: 06/01/14
© 2014 Ardisam, Inc.
All Rights Reserved



ILLUSTRATED PARTS BREAKDOWN - Handlebars



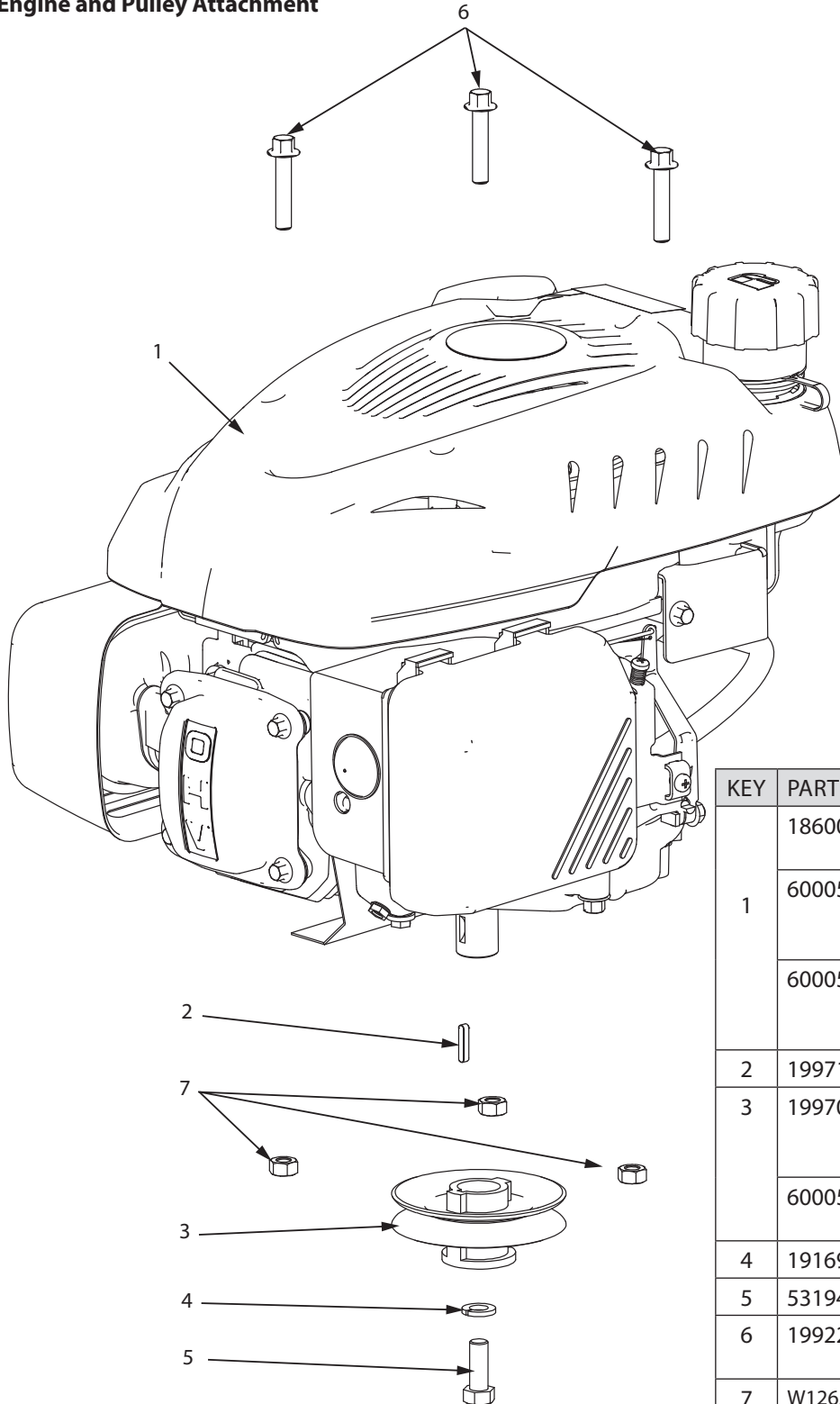
KEY	PART #	DESCRIPTION	QTY.
1	4819	TRIGGER ASSEMBLY, LONG THROW	1
2	14178	CABLE, THROTTLE (WE43)	1
3	17471	SWITCH ASSEMBLY, ON/OFF STRING MOWER	1
4	19160	LEVER, DRIVE ENGAGE, STRING MOWER	1
5	17403	HANDLEBAR AND VINYL ASSEMBLY, STRING MOWER	1
6	4814	BOLT (10-24 X 1 1/4 PPHMS, GR5 ZN F-T)	1
7	13599	NUT (M6 X 1.0 HHFNYLK GR8.8 ZN)	2
8	19902	GUIDE, ROPE (M6 X 1.0 OPEN EYE)	1
9	19973	RIVET (M4 X 20)	2
10	19972	CAM LEVER BLACK	2
11	16311	BOLT, HANDLE ADJUSTMENT, STRING MOWER	2
12	19912	HANDLE PIVOT, PLASTIC MOLDING	4
13	16397	SCREW (M3-10 PH AB ZN)	8
14	16360	WASHER (3.2 - 10 X 0.8 ZN)	8
15	19941	HANDLE BAR, LOWER CAM ADJUST	1
16	19945	BOLT (M8 X 1.25 X 20 HHFCS GR8.8 ZN)	4
17	15967	BRACE, HANDLEBAR, RIGHT	1
18	64132	NUT (M8 X 1.25 HSF)	4
19	106	ZIP TIE (5.75" (14.6 mm) BLK PLASTIC)	3
20	15968	BRACE, HANDLEBAR, LEFT	1
21	17527	CABLE, CLUTCH STRING MOWER	1

19444-0029R1



ILLUSTRATED PARTS BREAKDOWN

Engine and Pulley Attachment

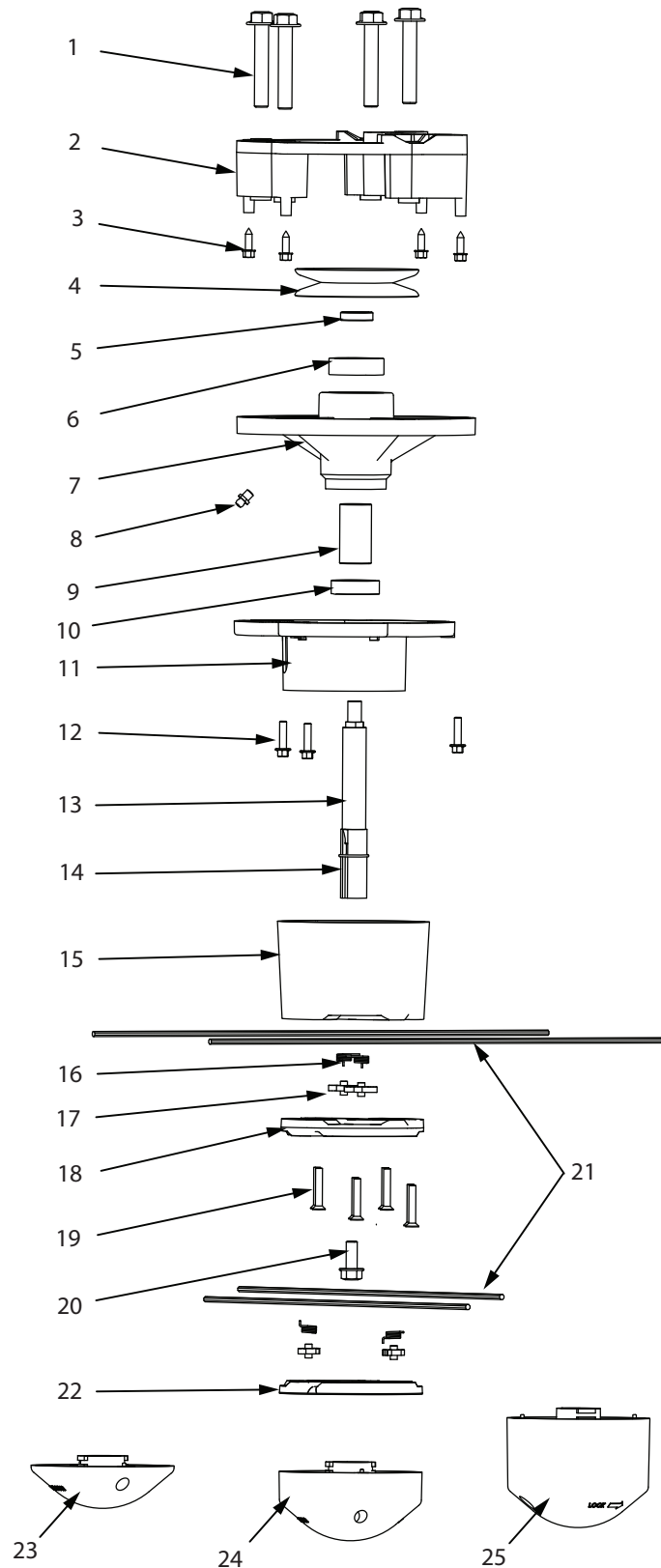


KEY	PART #	DESCRIPTION	QTY.
1	186000	ENGINE 173CC VIPER VERT (SHOWN, FOR 600050V ONLY)	1
	60005070	ENGINE VERT BRIGGS 675 ST (NOT SHOWN, FOR 600050B ONLY)	1
	60005071	ENGINE VERT BRIGGS 675 CE ST (NOT SHOWN, FOR 600050BCE ONLY)	1
2	19971	KEY 4MM X 4MM X 20MM	1
3	19970	PULLEY AND BUSHING WELDMENT (FOR 6000050V ONLY)	1
	60005013	PULLEY AND BUSHING WELDMENT (FOR M220)	1
4	1916965	WASHER LOCK SPRING . 375	1
5	53194	BOLT 3/8-24 X 1 HH GR5 ZN F-T	1
6	19922	BOLT M8 X 1.25 X 40 HHFCS GR8.8 ZN	3
7	W1265V0900	NUT M8 X 1.25 H NYLK GR8.8 ZN	3

19444-0030r1



ILLUSTRATED PARTS BREAKDOWN - Mower Head



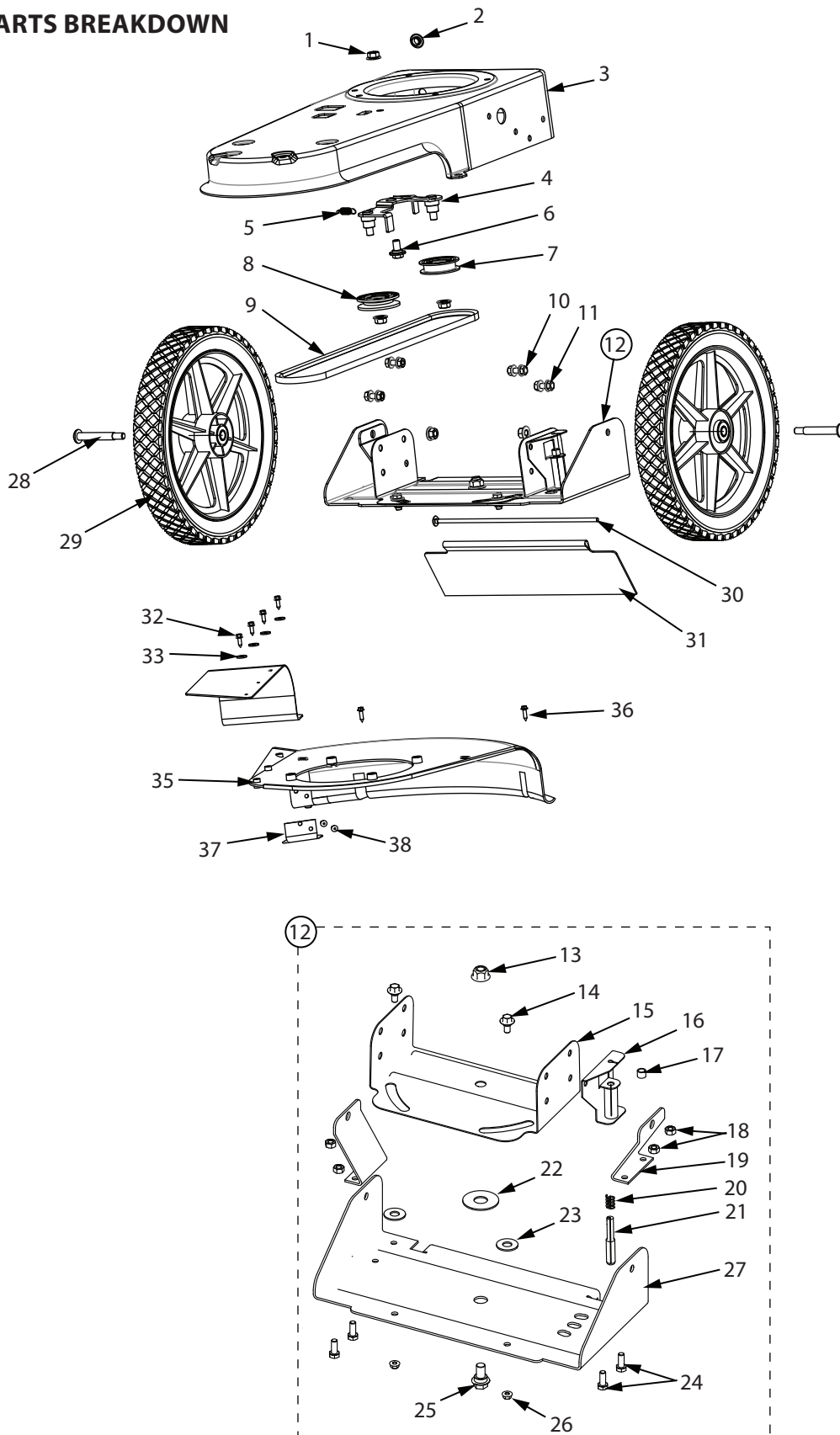
KEY	PART #	DESCRIPTION	QTY.
1	19927	BOLT (M10 X 1.5 X 60 HHFCS)	4
2	16318	SPACER, JACKSHAFT, STRING MOWER	1
3	19931	SCREW (M5 X 3 X 15 PHWH AB)	4
4	16595	PULLEY ASSEMBLY, STRING MOWER	1
5	19925	SPACER (M17.5 X 23.5 X 6)	1
6	19966	BEARING (17 ID X 40 OD X 12 W)	1
7	16317	HOUSING, JACKSHAFT, STRING MOWER	1
8	16598	FITTING, GREASE, STRAIGHT (M6-1)	1
9	19960	SPACER, JACKSHAFT	1
10	19959	BEARING (17 ID X 35 OD X 10 W)	1
11	16337	WEED WRAP, STRING MOWER	1
12	16799	BOLT (M5-0.08 X 20 SFH GR8.8 ZN)	3
13	16321	JACKSHAFT, STRING MOWER	1
14	16903	NUT (M10-1.5 X 13 HF NYLK GR8.8 ZN)	1
15	16662	WEED HEAD TOP, STRING MOWER	1
16	16670	SPRING, WEED HEAD, STRING MOWER	4
17	16669	CAM, WEED HEAD, STRING MOWER	4
18	16663	WEED HEAD, MID-LEVEL, STRING MOWER	1
19	16817	BOLT (M5-0.08 X 30 PHMS GR8.8 ZN P-T)	4
20	19945	BOLT (M8-1.25 X 20 HHFCS GR8.8 ZN)	1
21	16849	LINE (4MM STRING MOWER)	1
22	16664	WEED HEAD BOTTOM, STRING MOWER	1
23	16665	BUMP HEAD 1, STRING MOWER	1
24	16666	BUMP HEAD 2, STRING MOWER	1
25	16668	BUMP HEAD 3, STRING MOWER	1

19444-03 1R1



ILLUSTRATED PARTS BREAKDOWN

Base Unit



19444-0033R2



KEY	PART #	DESCRIPTION	QTY.
1	16903	NUT (M10 - 1.5 X 13 HF NYLK GR8.8 ZN)	6
2	19944	BUSHING (M12 X 23 RUBBER)	1
3	60005058	DECK FRAME	1
4	19932	IDLER ASSEMBLY (DBL/ZINC METRIC)	1
5	60005008	SPRING, EXTENSION 1.5 LG	1
6	19936	BOLT (M10 X 1.5 X 20 HHF SHLDR)	1
7	19934	PULLEY AND BEARING ASSEMBLY	1
8	19968	V-PULLEY AND BEARING ASSEMBLY	1
9	60005003	BELT (3L, 45.5 (18.75) TR)	1
10	19945	BOLT (M8 X 1.25 X 20 HHFCS GR8.8 ZN)	4
11	16400	NUT (M8-1 HF NYLOC ZN)	4
12	17221	SWIVEL WHEEL ASSEMBLY, STING MOWER	1
13	14920	• NUT (M12-1.75 HF HYLK GR 8.8 ZN)	1
14	17325	• BOLT (M8 X 1.25 X 25 HSF OD 12X5 SHLDR ZN)	2
15	17223	• SWIVEL, FRAME MOUNT, STRING MOWER	1
16	19212	• SWIVEL, LATCH MOUNT, STRING MOWER	1
17	19213	• CLIP, SWIVEL CABLE, STRING MOWER	1
18	3252	• NUT (M8 X 1.25 H GR8.8 ZN)	4
19	19694	• BRACE, AXLE SWIVEL, STRING MOWER	2
20	17225	• SPRING, SWIVEL, STRING MOWER	1
21	17224	• PIN, SWIVEL, STRING MOWER	1
22	17176	• WASHER (18 ID X 50 OD X 2 NYLON)	1
23	17508	• WASHER, (13 ID X 30 OD X 2 NYLON)	2
24	64595	• BOLT (M8-20 HHFCS GR8.8 ZN F-T)	4
25	17177	• BOLT (M12-1.75 X 25 SFH 18 OD X 6.6 SHLDR)	1
26	16400	• NUT (M8 X 1.25 HSF NYLOC GR8.8 ZN)	2

KEY	PART #	DESCRIPTION	QTY.
27	17222	• MOUNT, WHEEL SWIVEL, STRING MOWER	1
28	17227	BOLT (1-0-1.5 X 25, 12 X 36M SHLDR BH GR8.8 ZN)	2
29	19983	KIT, TIRE, WHEEL, AND BEARING 14 X 1.75)	2
30	19937	BOLT (M6 X 1.0 X 285 CRG P-T)	1
31	60005018	SHIELD, TRAILING 13.28V	1
32	19931	SCREW (M5 X 3 X 15 PHWH AB)	4
33	16509	WASHER (5.3 X 15 X 1 ZN)	4
34	60005010	GUARD ASSEMBLY	1
35	60005020	SHIELD, TRIMMER BLK	1
36	16889	SCREW (4.8 - 1.6 X 20 PHH A GR8.8 ZN)	2
37	16540	CUTTER, LINE, STRING MOWER	1
38	19953	RIVET (M5 X 10)	2