

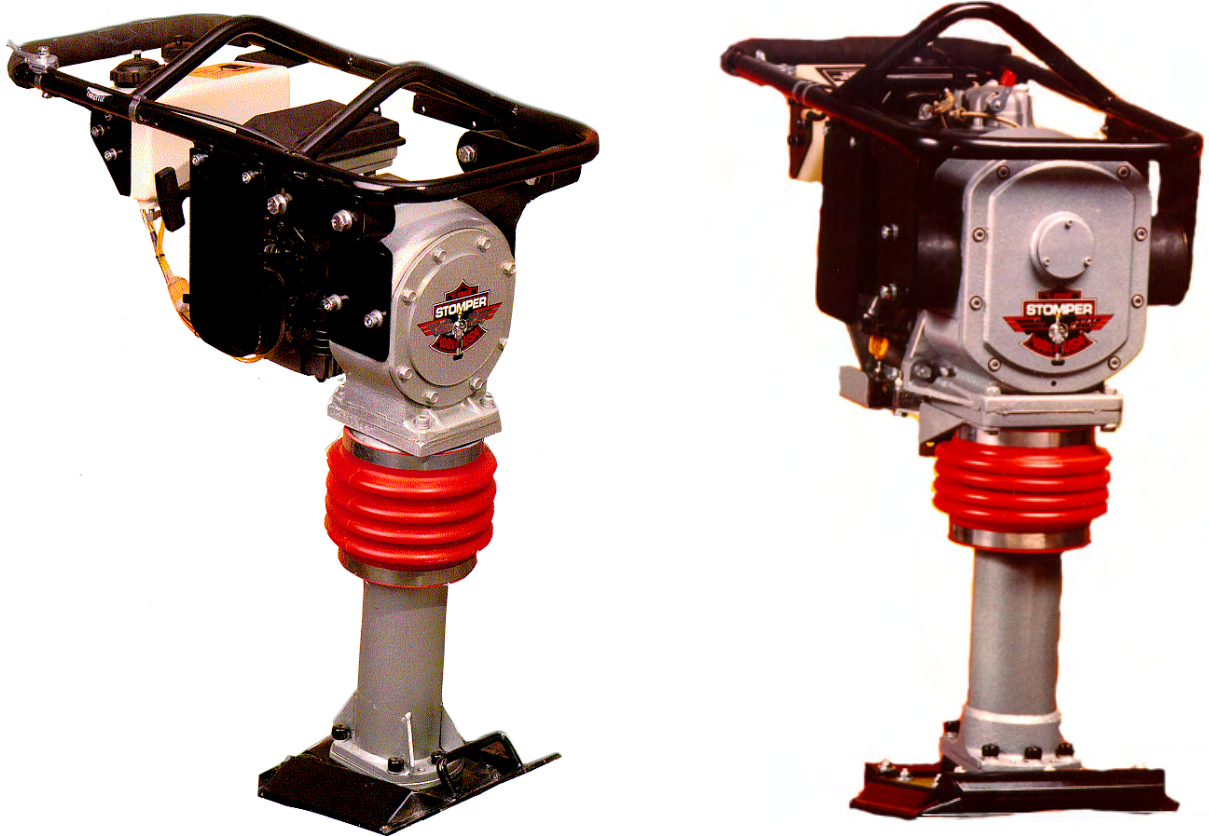


OPERATOR/SERVICE MANUAL

MODEL: ST728ROI, SM832ROI

DS836Y

SN622R, ST728R, SM832R, SW945R



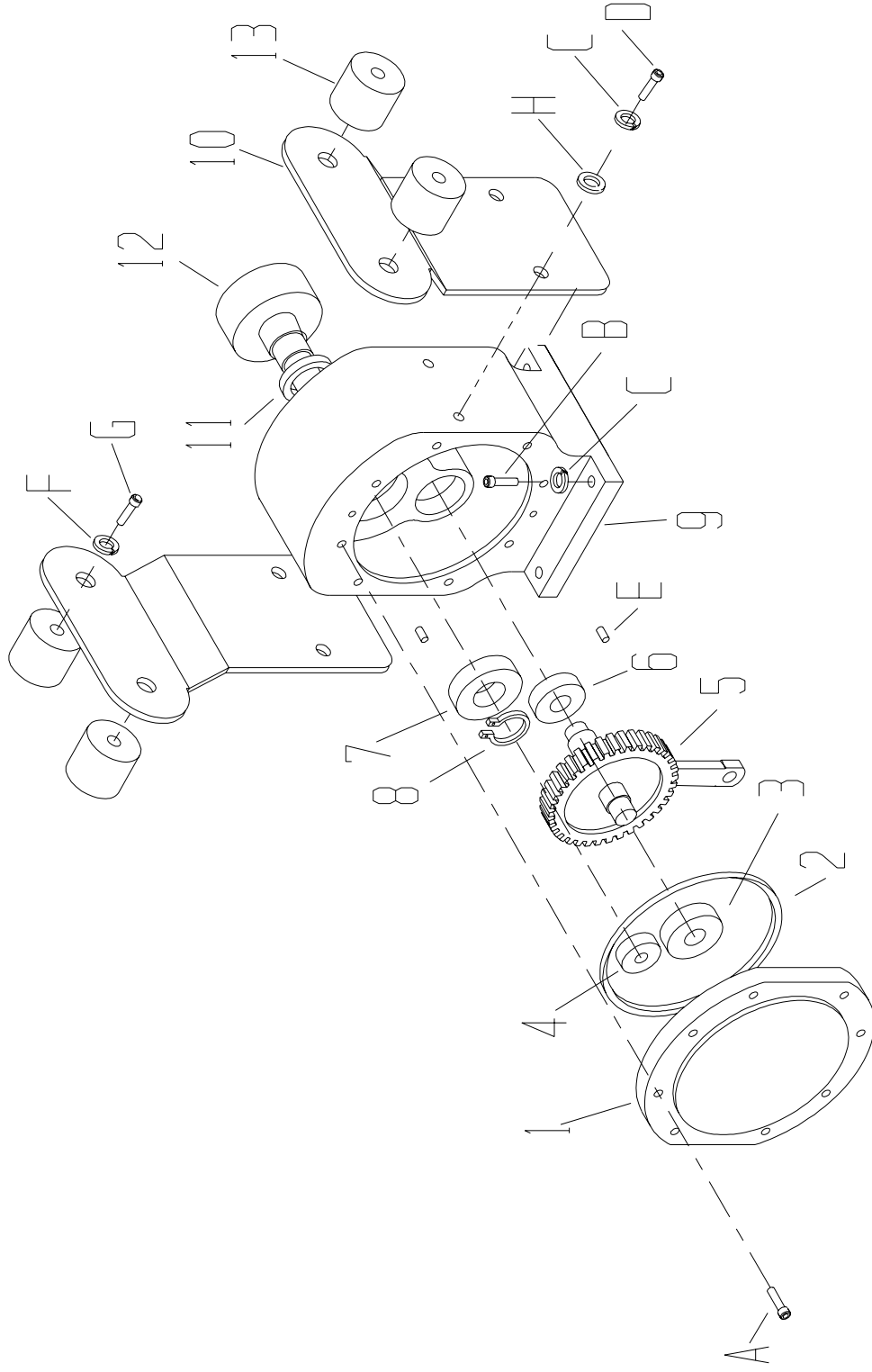
STOMPER® - Oil Injected, Diesel and Pre-Mix

*This equipment has been designed and tested to meet the requirements of the **Machinery Safety Directive 89/392/EEC and Amendments** and therefore carries the CE Mark*

EXPLODED VIEWS AND PARTS LISTS

| | |
|--|-------|
| Gearcase for ST Oil Injected and SN/ST Pre-Mix | 34-35 |
| Gearcase for SM Oil Injected and SM/SW Pre-Mix | 36-37 |
| Gearcase - Diesel | 38-39 |
| Lower Unit for SN Pre-Mix | 40-41 |
| Lower Unit for ST Oil Injected and Pre-Mix | 42-43 |
| Lower Unit for SM Oil Injected and Pre-Mix | 44-45 |
| Lower Unit for SW Pre-Mix | 46-47 |
| Lower Unit - Diesel | 48-49 |
| Engine - ST Oil Injected and Pre-Mix | 50-51 |
| Engine - Diesel | 52-53 |
| Engine - SN Pre-Mix | 54-55 |
| Engine - SM Oil Injected and SM/SN Pre-Mix | 56-57 |
| Handle and Fuel Assembly - ST/SM Oil Injected | 58-59 |
| Handle and Fuel Assembly - Diesel | 60-61 |
| Handle and Fuel Assembly - SN Pre-Mix | 62-63 |
| Handle and Fuel Assembly - ST/SM/SWPre-Mix | 64-65 |
| Shoes ST Oil Injected and Pre-Mix | 66-67 |
| Decals | 68-70 |

Gearcase for ST Oil Injected and SN/ST Pre-Mix



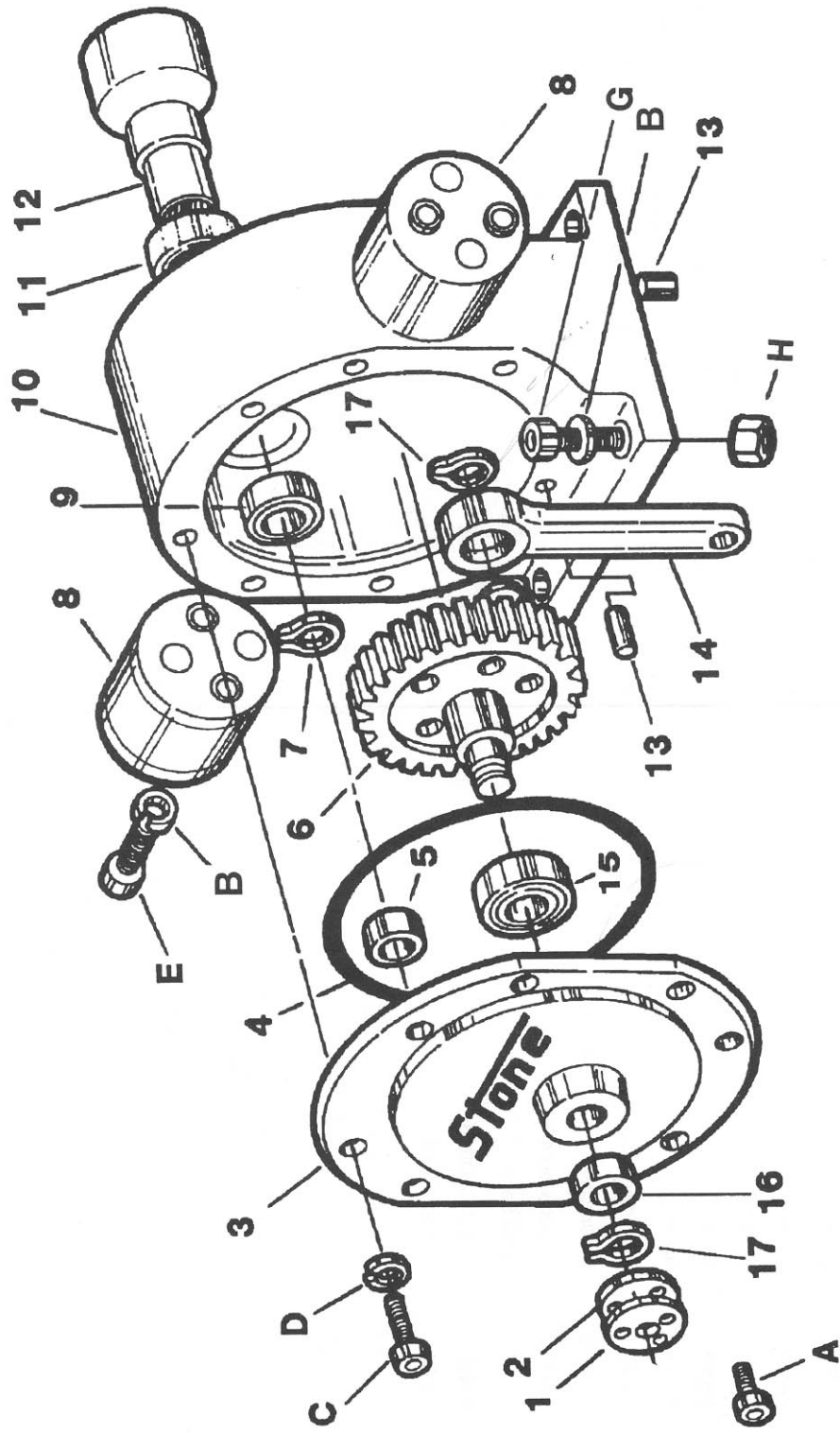
SN002B

Gearcase for ST Oil Injected and SN/ST Pre-Mix

| Item | Part No. | Description | Qty. | Item | Part No. | Description | Qty. | DIN | TORQUE (NM) (LB.FT.) |
|------|----------|-----------------------------|------|------|----------|------------------------------|------|------|-------------------------|
| 1 | 21112 | Case Cover with Bearings | 1 | A* | 80802 | HWHST M8-1.25 X 25MM ZN | 8 | 7500 | 24 18 |
| 2 | 32254 | O-Ring | 1 | B* | 80801 | SHCS M10 1.5 X 35MM 12.9 BLK | 4 | 912 | 48 35 |
| 3 | 32022 | Bearing | 1 | C | 80804 | WSHRL M10 SPLIT ZN | 8 | 127B | - - |
| 4 | 32255 | Bearing | 1 | D* | 80803 | SHCS M10 1.5 X 25MM 8.8 ZN | 4 | 912 | 48 35 |
| 5 | 42471 | Crank Shaft Assy 52T | 1 | E | 80002 | PIN 1/4 inch | 2 | - | - - |
| 6 | 32023 | Bearing | 1 | F | 80805 | WSHRL M12 SPLIT ZN | 4 | 127B | - - |
| 7 | 32213 | Bearing | 1 | G* | 80808 | HHCS M12 1.75 X 20MM 8.8 ZN | 4 | 933 | 83 61 |
| 8 | 30192 | Retaining Ring | 1 | H | 80806 | WSHR M1) FLAT 20 OD ZN | 4 | 125A | - - |
| 9 | 65000-2 | Gearcase Assy with Bearings | 1 | | | | | | |
| 10 | 65003-2 | Shock Mount Brkt | 2 | | | | | | |
| 11# | 38507 | Shaft Seal | 1 | | | | | | |
| 12 | 42466 | Clutch Shaft 8T | 1 | | | | | | |
| 13 | 65004 | Shock Mount | 4 | | | | | | |

REMARK: # Lube seal with grease when replacing
 * Loctite Required

Gearcase - SM Oil Injected and SM/SW Pre-Mix



Gearcase - SM Oil Injected and SM/SW Pre-Mix

| Item | Part No. | Description | Qty. | Item | Part No. | Description | Qty. | DIN | TORQUE (NM) (LB.FT.) |
|------|----------|---------------------|------|------|----------|---------------------------------|------|------|-------------------------|
| 1 | 65029-2 | Cap Speed Cover | 1 | A* | 80821 | SHCS M5 .8 X 16MM 8.8 ZN | 3 | 912 | - |
| 2 | 30189 | Gasket | 1 | B | 80804 | WSHRL M10 SPLIT ZN SM | 12 | 127B | - |
| 3** | 22991 | Gearcase Cover Assy | 1 | | | WSHRL M10 SPLIT ZN SW | 16 | 127B | - |
| 4 | 32216 | O-Ring 81D | 1 | C* | 80810 | SHCS M8 1.25 X 20MM 8.8 ZN | 8 | 912 | 24 |
| 5 | 32023 | Bearing - 204 | 1 | D | 80812 | WSHRL M8 SPLIT ZN | 8 | 127B | - |
| 6 | 42638 | Gear 70 TH SM | 1 | E* | 80825 | SHCS M10 1.5 X 50MM 8.8 ZN | 4 | 912 | 48 |
| | 42637 | Gear 72 TH SW | 1 | G* | 80801 | SHCS M10 1.5 X 35MM 12.9 BLK SM | 4 | 912 | 48 |
| 7 | 30192 | Retaining Ring | 1 | * | 80834 | SHCS M10 1.5 X 60MM 12.9 BLK SW | 4 | 912 | 48 |
| 8 | 65025 | Shock Mount | 2 | H | 80833 | NUTNY M10 1.5 ZN SW | 4 | 985 | - |
| 9 | 32213 | Bearing - 206 | 1 | | | | | | |
| 10 | 65023-2 | Case | 1 | | | | | | |
| 11# | 30193 | Seal | 1 | | | | | | |
| 12 | 28672 | Pinion Assy 10T SM | 1 | | | | | | |
| | 28790 | Pinion Assy 8T SW | 1 | | | | | | |
| 13 | 80002 | 1/4 Dowel Pin | 3 | | | | | | |
| 14 | 28658 | Connecting Rod Assy | 1 | | | | | | |
| 15 | 32214 | Bearing - 307 | 1 | | | | | | |
| 16 | 32212 | Bearing - 205 | 1 | | | | | | |
| 17 | 30191 | Retaining Ring | 2 | | | | | | |

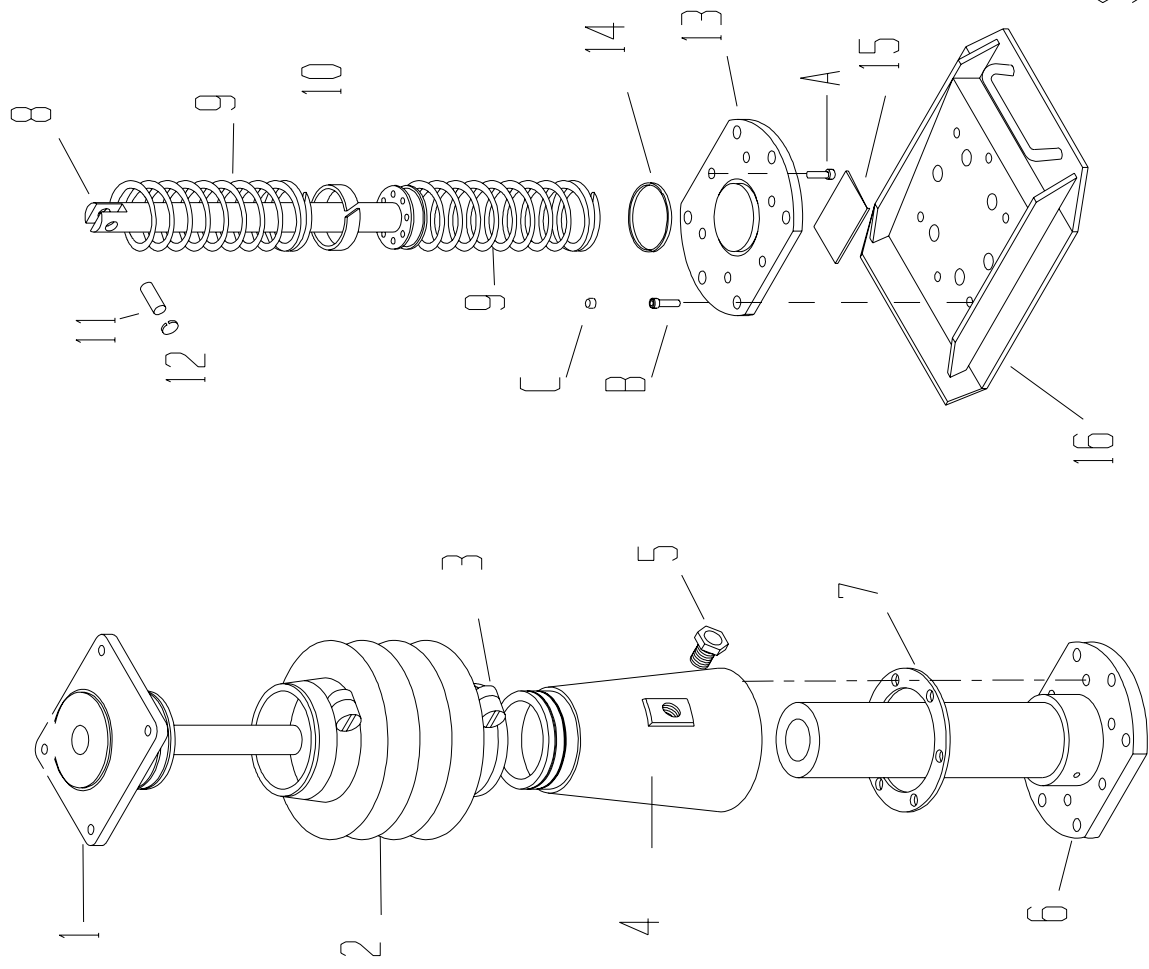
REMARK: # Lube seal with grease when replacing
 ** Gearcase Kit PN 23021 includes 1,3,5,16 & 17
 * Loctite Required

Gearcase-Diesel

| Item | Part No. | Description | Qty. | Item | Part No. | Description | Qty. | DIN | TORQUE (MM) (LB.FT.) |
|------|----------|----------------------------|------|------|----------|---------------------------|------|------|-------------------------|
| 1 | 65072-2 | Gearcase Machined Diesel | 1 | A | 80002 | PINDL 1/4 x 5/8 PLN | 4 | - | - |
| 2 | 39224 | Shaft Seal | 1 | B* | 80810 | SHCS M8-1.25 x 20 8.8 ZN | 8 | 912 | 24 18 |
| 3 | 43176 | Clutch Shaft Weld 14T | 1 | C | 80812 | WSHRL M8 Split ZN | 8 | 27B | - |
| 4 | 65025 | Shock Mount Metric | 2 | D* | 80821 | SHCS M5 -.8 X 16 8.8 ZN | 3 | 912 | 8 6 |
| 5 | 32177 | Ball Bearing 6208-2RS | 1 | E | 80833 | NUTNY M10 - 1.5 ZN | 4 | 985 | - |
| 6 | 32305 | Ring Ext Retaining 1.57 | 1 | G | 80804 | WSHRL M10 SPLIT ZN | 4 | 127B | - |
| 7 | 30191 | Ring External 63/64 | 2 | H* | 80825 | SHCS M10 -1.5 X 50 8.8 ZN | 4 | 912 | 48 35 |
| 8 | 43177 | Conn Rod Assembly Machined | 1 | | | | | | |
| 9 | 32023 | Bearing Ball .787 | 1 | | | | | | |
| 10 | 65073-2 | Gearcase Cover | 1 | | | | | | |
| 10A# | 23039-2 | Gearcase Cover Assembly | 1 | | | | | | |
| 11 | 32212 | Bearing 205 | 1 | | | | | | |
| 12 | 30189 | Gasket Speed Cover | 1 | | | | | | |
| 13 | 65029-2 | Speed Cover | 1 | | | | | | |
| 14 | 32214 | Bearing 1.378 | 1 | | | | | | |
| 15 | 43179 | Weldment Crank Gear 70T | 1 | | | | | | |

REMARK: * Loctite Required
PN 23039-2 includes 7, 9 - 13

Lower Unit for SN Pre-Mix

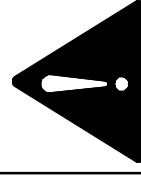


SN003A

Lower Unit for SN Pre-Mix

| Item | Part No. | Description | Qty. | Item | Part No. | Description | Qty. | DIN | TORQUE (NM) | TORQUE (LB.FT.) |
|------|----------|-------------|------|------|----------|------------------------------|------|-----|-------------|-----------------|
| 1 | 65049-2 | Guide Tube | 1 | A | 80800 | SHCS M10 1.5 X 40MM 12.9 BLK | 6 | 912 | 48 | 35 |
| 2 | 47360 | Boot | 1 | B | 80819 | SHCS M12 1.75 X 35MM 8.8 ZN | 6 | 912 | 83 | 61 |
| 3 | 44206 | Boot Clamp | 2 | C | 80765 | Cap Plastic Blk | 6 | - | - | - |

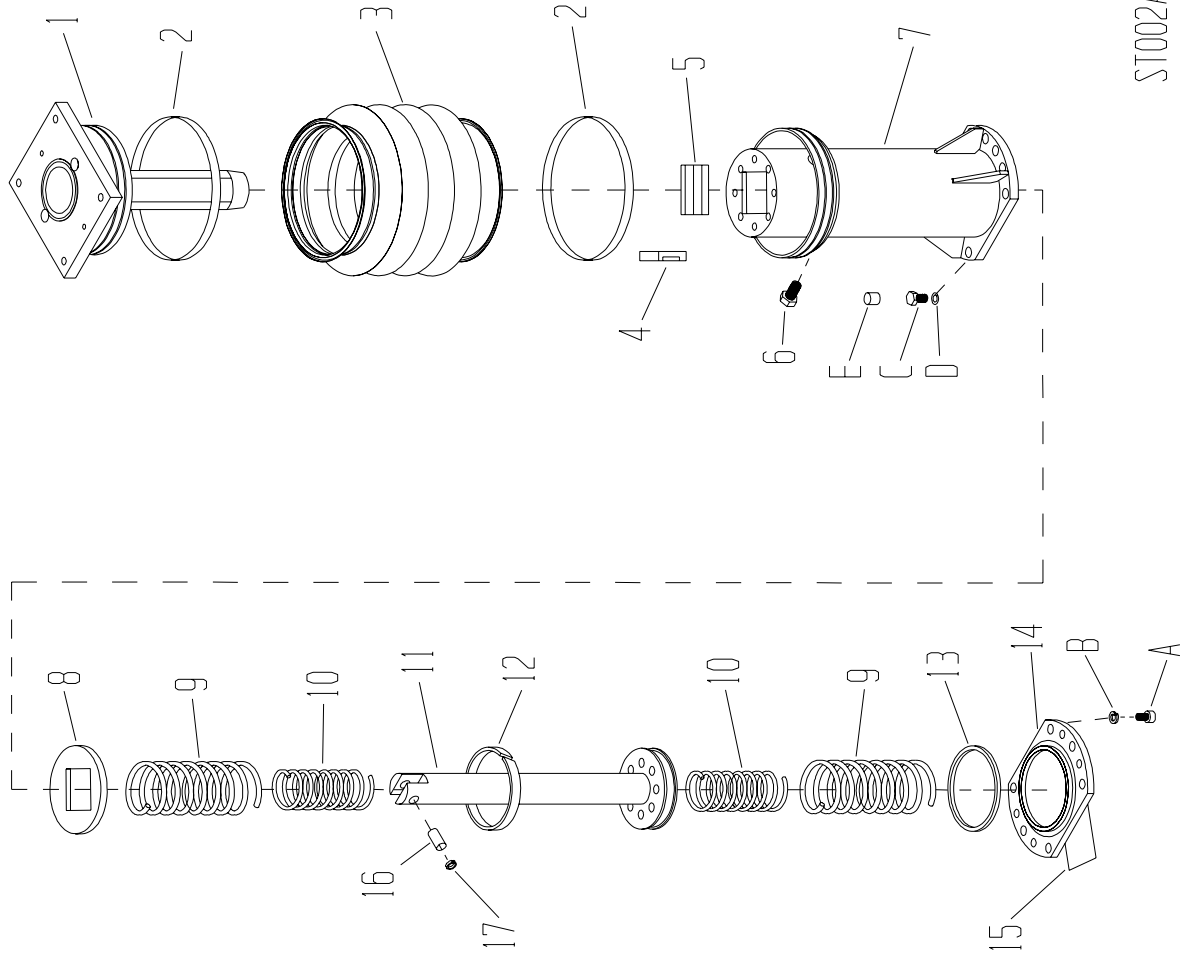
| Item | Part No. | Description | Qty. |
|------|----------|-------------------------------|------|
| 4 | 65017-2 | Cover Spring Housing | 1 |
| *5 | 34096 | Oil Sight Plug | 1 |
| 6 | 65021-2 | Spring Housing | 1 |
| 7 | 47316 | Gasket | 1 |
| 8 | 42419 | Piston | 1 |
| 9 | 42457 | Springs | 2 |
| 10 | 42429 | Piston Ring | 1 |
| 11 | 80733 | Rod Pin | 1 |
| 12 | 80519 | Internal Retaining Ring | 1 |
| 13 | 65019-2 | Base Plate | 1 |
| 14 | 32252 | O-ring | 1 |
| 15 | 55026 | Spring Housing Safety Decal | 1 |
| 16 | 65022-2 | Shoe 10 in. x 12 in. | 1 |
| ** | 22989 | Shoe Extension 4 in. x 10 in. | |



The spring retaining Base Plate retains heavy springs under compression. Follow the instructions (Base Plate Removal located on Page 31 of this manual) carefully or severe personal injury may occur.

REMARK: * Use of a socket wrench is recommended to avoid damage to the sight gauge.
 ** Not Shown

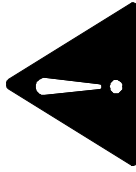
Lower Unit - ST Oil Injected and Pre-Mix



ST002A

Lower Unit - ST Oil Injected and Pre-Mix

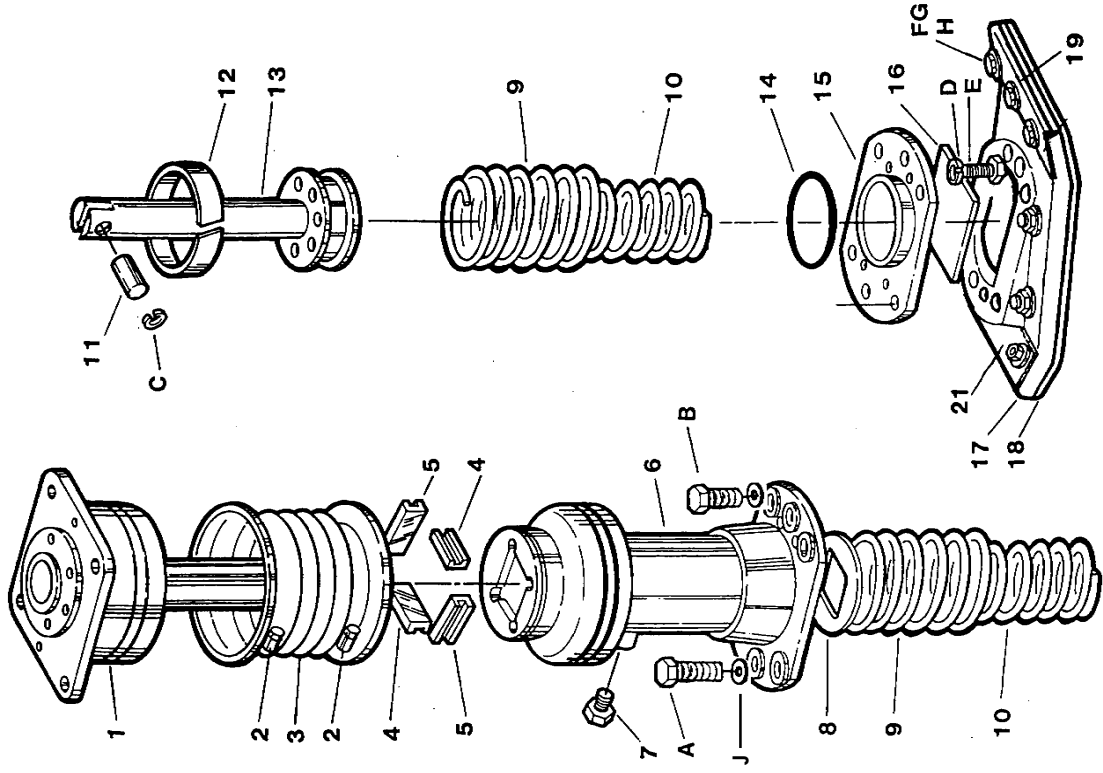
| Item | Part No. | Description | Qty. | Item | Part No. | Description | Qty. | DIN | TORQUE (MM) (LB.FT.) |
|------|----------|------------------------|------|------|----------|------------------------------|------|------|-------------------------|
| 1 | 65050-2 | Guide Tube | 1 | A* | 80803 | SHCS M10 1.5 x 25MM 8.8 ZN | 4 | 912 | 48 35 |
| 2 | 44106 | Boot Clamp | 2 | B | 80804 | WSHRL M10 Split ZN | 6 | 127B | - - |
| 3 | 47361 | Boot | 1 | C* | 80819 | SHCS M12 1.75 X 35MM 12.9 ZN | 6 | 912 | 83 61 |
| 4 | 27938 | Bushing Short | 2 | D | 80805 | WSHRL M12 Split ZN | 6 | 127B | - - |
| 5 | 27939 | Bushing Long | 2 | E | 80765 | Cap Plastic Blk | 6 | - | - - |
| 6# | 34096 | Oil Sight Gauge | 1 | | | | | | |
| 7 | 65008-2 | Spring Housing | 1 | | | | | | |
| 8 | 42318 | Spring Spacer | 1 | | | | | | |
| 9 | 42619 | Spring Outer | 2 | | | | | | |
| 10 | 42620 | Spring Inner | 2 | | | | | | |
| 11 | 42923 | Piston Assy | 1 | | | | | | |
| 12 | 27521 | Piston Ring | 1 | | | | | | |
| 13 | 32033 | O-Ring | 1 | | | | | | |
| 14 | 65009-2 | Base Plate | 1 | | | | | | |
| 15 | 55026 | Safety Decal | 1 | | | | | | |
| 16 | 80423 | Rod Pin | 1 | | | | | | |
| 17 | 80519 | Internal Retainer Ring | 1 | | | | | | |
| 18 | 65011-2 | Shoe 11 (Not Shown) | | | | | | | |



The spring retaining Base Plate retains heavy springs under compression. Follow the instructions (Base Plate Removal located on Page 31 of this manual) carefully or severe personal injury may occur.

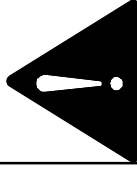
REMARK: # Use of a socket wrench is recommended to avoid damage to the sight gauge.
* Loctite Required

Lower Unit for SM Oil Injected and Pre-Mix



Lower Unit for SM Oil Injected and Pre-Mix

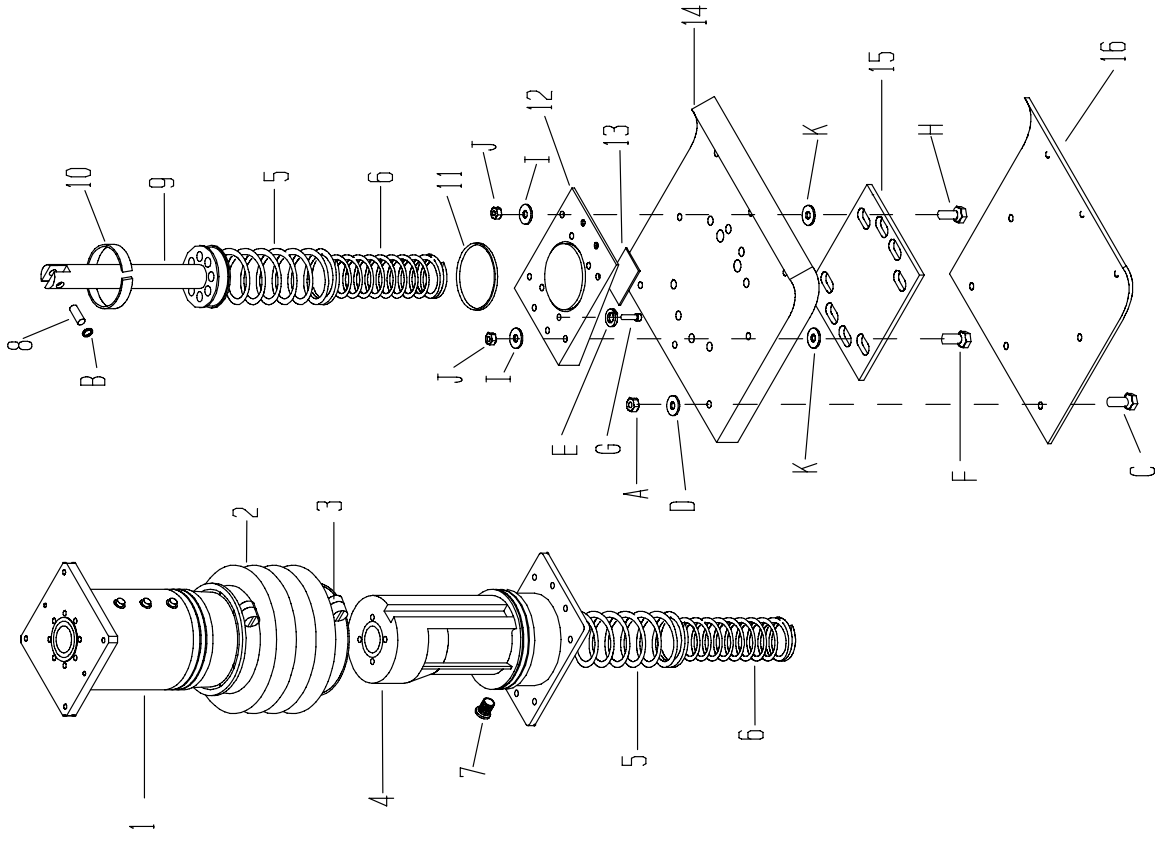
| Item | Part No. | Description | Qty. | Item | Part No. | Description | Qty. | DIN | TORQUE (MM) (LB.FT.) |
|------|----------|---|------|------|----------|-------------------------------|------|-------|----------------------|
| 1 | 65032-2 | Guide Tube | 1 | A | 80824 | SHCS M12-1.75 X 80 8.8ZN | 3 | 912 | 83 61 |
| 2 | 44106 | Boot Clamp | 2 | B | 80822 | SHCS M12 1.75 X 50MM 8.8 ZN | 3 | 912 | 83 61 |
| 3 | 47361 | Boot | 1 | C | 80519 | INTERNAL RETAINING RING | 1 | - | - |
| 4 | 27938 | Bushing Short | 2 | D | 80812 | WSHRL M8 SPLIT ZN | 4 | 127B | - |
| 5 | 27939 | Bushing Long | 2 | E | 80720 | SHCS M8 1.25 X 25MM 8.8 ZN | 4 | 912 | 24 18 |
| 6 | 65051-2 | Spring Housing | 1 | F | 80813 | WSHR M8 X 24 OD ZN | 10 | 9021B | - |
| 7 | 34096* | Oil Sight Gauge | 1 | G | 80823 | FHSCS M8 1.25 X 50 MM 10.9 ZN | 10 | 7991 | 24 18 |
| 8 | 42318 | Spacer, Bearing to Spring | 1 | H | 80817 | NUTNY M8 1.25 ZN | 10 | 985 | - |
| 9 | 42661 | Spring Outer | 2 | J | 80805 | WSHRL M12 SPLIT ZN | 6 | 127B | - |
| 10 | 42662 | Spring Inner | 2 | K** | 80765 | Cap Plastic Blk | 6 | - | - |
| 11 | 80423 | Rod Pin | 1 | | | | | | |
| 12 | 28694 | Piston Ring | 1 | | | | | | |
| 13 | 28701 | Piston Rod Assembly | 1 | | | | | | |
| 14 | 32033 | O-Ring | 1 | | | | | | |
| 15 | 65026-2 | Base Plate | 1 | | | | | | |
| 16 | 55026 | Spring Housing Safety Decal | 1 | | | | | | |
| 17 | 47302 | Shoe | 1 | | | | | | |
| | 65028 | Insert | 6 | | | | | | |
| 18 | 65024-2 | Shoe Plate | 1 | | | | | | |
| 19 | 29215-2 | Shoe Edge Guard | 1 | | | | | | |
| 21 | 42353-2 | Stiffener Rear Shoe | 1 | | | | | | |
| ** | 22988 | Shoe Kit (includes 17,18,19, 21 and hardware) | 1 | | | | | | |
| | | SHCS M12 1.75 X 80MM SHCS | | | | | | | |



The spring retaining Base Plate retains heavy springs under compression. Follow the instructions (Base Plate Removal located on Page 31 of this manual) carefully or severe personal injury may occur.

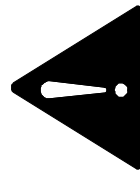
REMARK: * Use of a socket wrench is recommended to avoid damage to the sight gauge.
 ** Not Shown

Lower Unit for SW Pre-Mix



Lower Unit for SW Pre-Mix

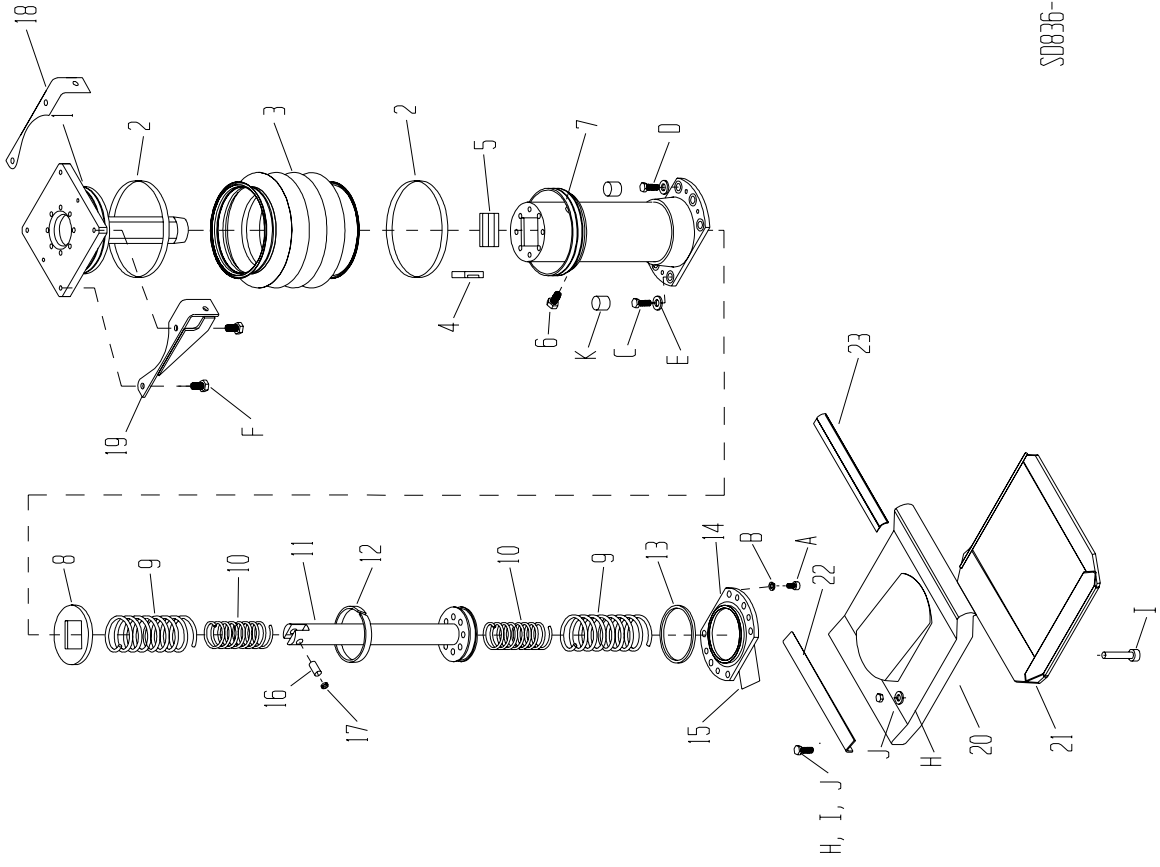
| Item | Part No. | Description | Qty. | Item | Part No. | Description | Qty. | DIN | TORQUE (NM) | TORQUE (LB.FT.) |
|------|----------|-----------------------------|------|------|----------|-----------------------------|------|-------|-------------|-----------------|
| 1 | 65039-2 | Guide Tube | 1 | A | 80833 | NUTNY M10 - 1.5 ZN | 8 | 985 | 48 | 35 |
| 2 | 47362 | Boot | 1 | B | 80519 | INTERNAL RETAINING RING | 1 | - | - | - |
| 3 | 44106 | Boot Clamp | 2 | C* | 80832 | FHCS M10 1.5 X 70MM 10.9 ZN | 8 | 7991 | - | - |
| 4 | 65034-2 | Spring Housing Assy | 1 | D | 80806 | WSHR M10 X 21 OD ZN | 8 | 125A | - | - |
| 5 | 42487 | Spring - Outer | 2 | E | 80804 | WSHRL M10 SPLIT ZN | 4 | 127B | - | - |
| 6 | 42488 | Spring - Inner | 2 | F* | 80829 | HHCS M12 1.75 X 100MM 8.8ZN | 4 | 931 | 83 | 61 |
| 7# | 34096 | Oil Sight Gauge | 1 | G* | 80803 | SHCS M10 1.5 X 25MM 8.8ZN | 4 | 912 | 48 | 35 |
| 8 | 80423 | Rod Pin | 1 | H* | 80831 | HHCS M12 1.75 X 70MM 8.8 ZN | 4 | 931 | 83 | 61 |
| 9 | 42600 | Piston Weld | 1 | I | 80805 | WSHR M12 SPLIT ZN | 8 | 127B | - | - |
| 10 | 28694 | Piston Ring | 1 | J | 80830 | NUTNY M12 - 1.75 ZN | 8 | 925 | - | - |
| 11 | 32033 | O-ring | 1 | K | 80835 | WSHR M12 X 37 OD ZN | 8 | 9021B | - | - |
| 12 | 65036-2 | Base Plate | 1 | L | 80807 | WSHR M12 X 240 OD ZN | 3 | 125A | - | - |
| 13 | 55023 | Spring Housing Safety Decal | 1 | | | | | | | |
| 14 | 65037-2 | Wood Shoe | 1 | | | | | | | |
| 15 | 42639-2 | Shoe Backing Plate | 1 | | | | | | | |
| 16 | 65038-2 | Shoe Plate | 1 | | | | | | | |



The spring retaining Base Plate retains heavy springs under compression. Follow the instructions (Base Plate Removal located on Page 30 of this manual) carefully or severe personal injury may occur.

REMARK: # Use of a socket wrench is recommended to avoid damage to the sight gauge.
 * Locfitte Required

Lower Unit-Diesel



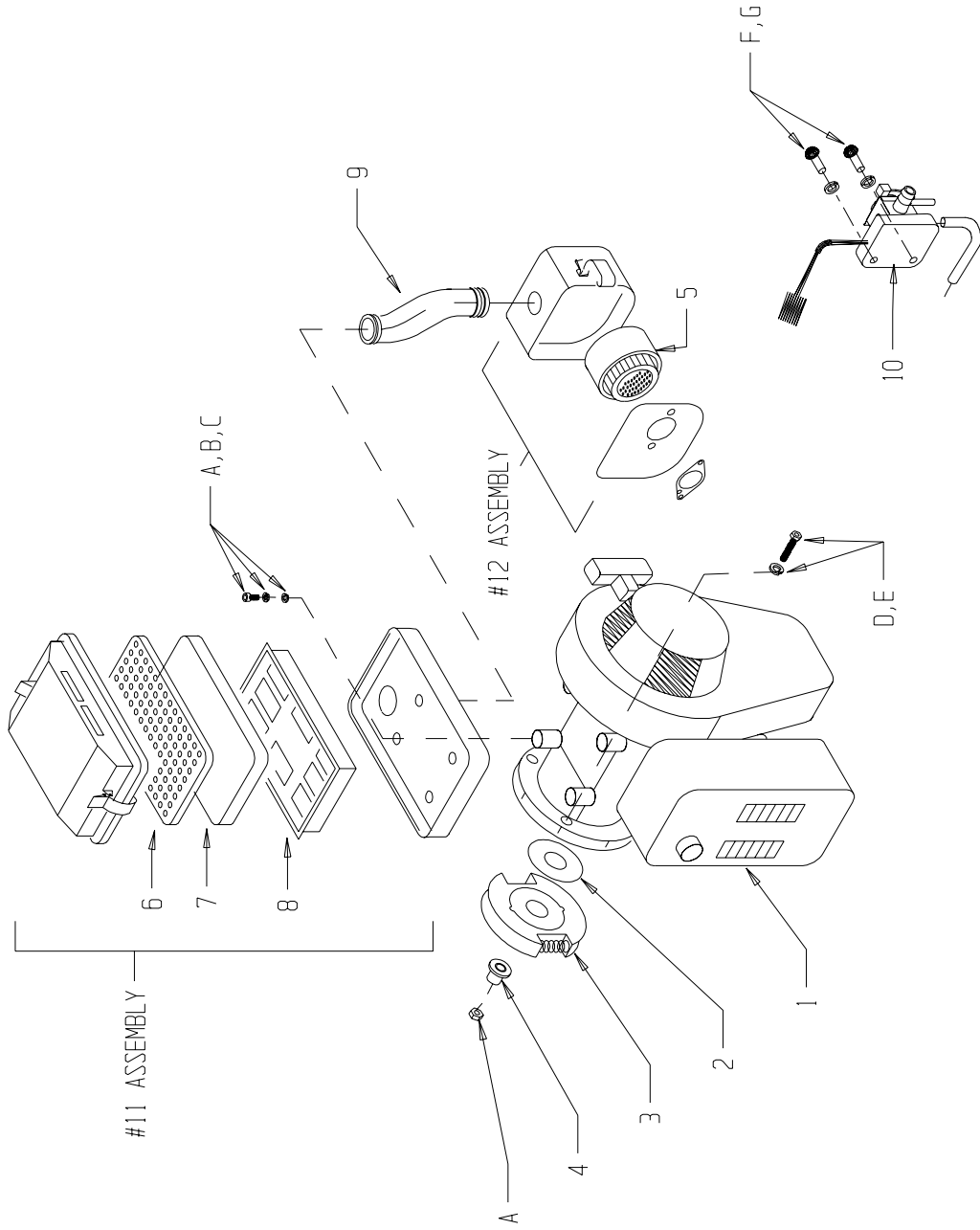
S0836-28

Lower Unit-Diesel

| Item | Part No. | Description | Qty. | Item | Part No. | Description | Qty. | DIN | TORQUE (NM) (LB.FT.) |
|------|----------|------------------------------|------|------|----------|---------------------------|------|-------|-------------------------|
| 1 | 65032-2 | Guide Tube Weld | 1 | A* | 80720 | SHCS M8-1.25 X 20 8.8 ZN | 4 | 912 | 24 18 |
| 2 | 44106 | Clamp Boot | 2 | B | 80812 | WSHRL M8 Split ZN | 4 | 127B | - |
| 3 | 47361 | Boot Urethane | 1 | C* | 80822 | SHCS M12-1.75 X 50 8.8 ZN | 3 | 912 | 83 61 |
| 4 | 27938 | Bushing Short Square Guide | 2 | D* | 80824 | SHCS M12-1.75 X 80 8.8 ZN | 3 | 912 | 83 61 |
| 5 | 27939 | Bushing Long Square Guide | 2 | E | 80826 | WSHR M12 SPLIT ZN | 6 | 127B | - |
| 6 | 34096 | Oil Sight Plug | 1 | F* | 80838 | HHCS M10-1.5 X 50 8.8 ZN | 4 | 931 | 48 35 |
| 7 | 65069-2 | Spring Housing Diesel | 1 | H | 80813 | WSHR M8 X 24 OD ZN | 10 | 9021B | - |
| 8 | 42318 | Spring Spacer Cast | 1 | I* | 80823 | FHCS M8-1.25 X 50 10.9 ZN | 10 | 7991 | - |
| 9 | 42661 | Blue/Blue Spring Outer | 2 | J | 80817 | NUTNY M8 ZN | 10 | 985 | - |
| 10 | 42662 | Blue/Yellow Spring Inner | 2 | K | 80765 | Cap Plastic Blk | 6 | - | - |
| 11 | 43181 | Weldment Diesel Piston | 1 | | | | | | |
| 12 | 28694 | Ring Piston | 1 | | | | | | |
| 13 | 32033 | O-Ring 01-242 All | 1 | | | | | | |
| 14 | 65065 | Shoe Plate Diesel | 1 | | | | | | |
| 15 | 55026 | Decal Warning Spring | 1 | | | | | | |
| 16 | 80423 | Con Rod Pin .5 x 1.25 P | 1 | | | | | | |
| 17 | 80519 | Ring Internal 1/2 PLN | 1 | | | | | | |
| 18 | 65067 | Weldment Support Guide Right | 1 | | | | | | |
| 19 | 65066 | Weldment Support Guide Left | 1 | | | | | | |
| 20 | 47302 | Shoe | 1 | | | | | | |
| | 65028 | Insert | 6 | | | | | | |
| 21 | 65064 | Base Plate Weld | 1 | | | | | | |
| 22 | 42353 | Stiffener Rear | 1 | | | | | | |
| 23 | 29215 | Shoe Guard | 1 | | | | | | |

REMARK: See Warning for Base Plate on Page 7
* Loctite Required

Engine for ST Oil Injected and Pre-Mix



ST001F

Engine for ST Oil Injected and Pre-Mix

| Item | Part No. | Description | Qty. | Item | Part No. | Description | Qty. | DIN | TORQUE (NM) (LB.FT.) |
|------|----------|---------------------------|------|------|----------|----------------------------|------|------|-------------------------|
| 1 | 30554 | EC-12 Oil Injected Engine | 1 | A | 35060 | Locknut (M12 x 1.25) | 1 | - | 83 61 |
| | 30354 | EC-12 Pre-Mix Engine | 1 | B* | 80406 | HC8 M8-1.25 x 20mm 8.8 ZN | 4 | 933 | 24 18 |
| 2 | 80426 | Washer 9/16 Type B Nar ZN | 1 | C | 80812 | WSHRL M8 Split ZN | 4 | - | - |
| 3 | 30308 | Clutch | 1 | D | 80813 | WSHR M8 Flat 24 CD ZN | 4 | - | - |
| 4 | 37242 | Spacer | 1 | E* | 80815 | HC8 M10 1.50 x 30mm 8.8 ZN | 4 | 933 | 35 48 |
| 5 | 23064 | Air Filter Set Lower | 1 | F | 80804 | WSHRL M10 Split ZN | 4 | - | - |
| 6 | 39329 | Air Filter Coarse Upper | 1 | G | 80926 | HSC8 M4.0 x 16mm ZN | 2 | 7981 | 8 6 |
| 7 | 39330 | Air Filter Fine Upper | 1 | H | 80929 | WSHRL M4 Split ZN | 2 | 127B | - |
| 8 | 39332 | Air Frame Filter Upper | 1 | | | | | | |
| 9 | 39334 | Hose Air Filter | 1 | | | | | | |
| 10 | 23019 | Valve Assembly | 1 | | | | | | |
| 11 | 23063 | Air Filter, Upper | 1 | | | | | | |
| 12 | 23064 | Air Filter, Lower | 1 | | | | | | |

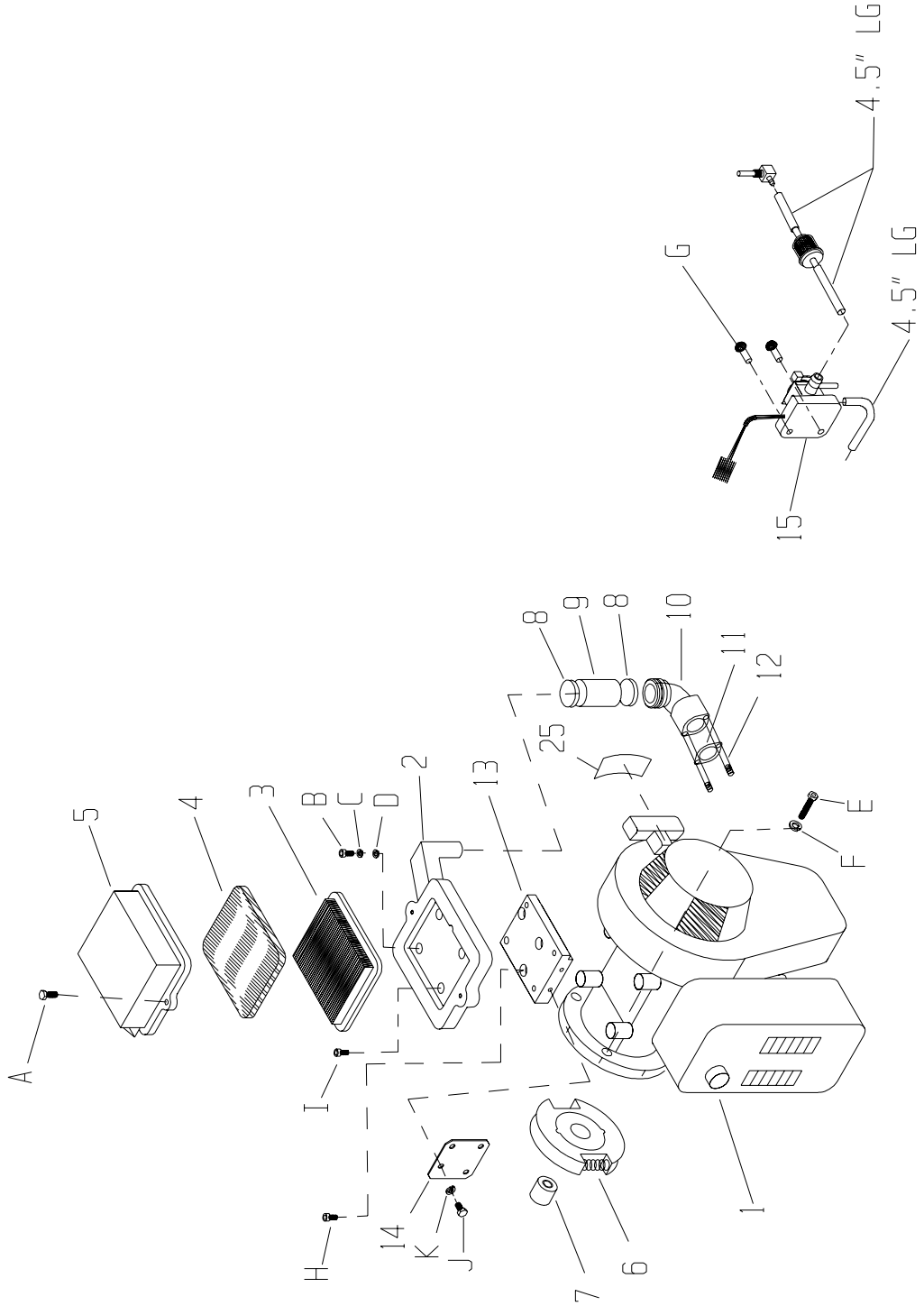
REMARK: * Loctite Required

Engine - Diesel

| Item | Part No. | Description | Qty. | Item | Part No. | Description | Qty. | DIN | TORQUE (NM) (LB.FT.) |
|------|----------|----------------------------|------|------|----------|----------------------------|------|-------|-------------------------|
| 1 | 31244 | Engine Yanmar L40A 4HP | 1 | A* | 80902 | STUD M10 - 1.5 X 60 8.8 ZN | 4 | 939 | - |
| | 39357 | Key Yanmar | 1 | B | 80833 | NUTNY M10 - 1.5 ZN | 6 | 985 | - |
| 2 | 31245 | Muffler Special Yanmar | 1 | D | 80806 | WSHR M10 FLAT 200D ZN | 12 | 125A | - |
| 3 | 39236 | Gasket Exhaust | 1 | E* | 80838 | HHCS M10 - 1.5 X 50 8.8 ZN | 4 | 931 | 48 35 |
| 4 | 65071 | Adaptor Yanmar L40 Diesel | 1 | F* | 80173 | HHCS5/16 - 24 X 1 GR5 ZN | 1 | - | - |
| 5 | 23042 | Clutch Assembly | 1 | G* | 80810 | SHCS M8 - 1.25 X 20 8.8 ZN | 8 | 912 | 24 18 |
| 6 | 80611 | Square Key | 1 | H* | 80803 | SHCS M10 - 1.5 X 25 8.8 ZN | 2 | 912 | 48 35 |
| 7 | 43187 | Spacer Clutch Hub Diesel | 1 | I | 80813 | WSHR M8 FLAT 24 OD ZN | 2 | 9021B | - |
| 8 | 65075 | Washer Clutch Retainer | 1 | J | 80814 | NUTEX M8 - 1.25 ZN2 | 2 | 934 | - |
| 9 | 65068 | Weldment Engine Support | 1 | | | | | | |
| 10 | 39235 | Air Filter with Precleaner | 1 | | | | | | |
| 11 | 39237 | Air Filter Assembly | 1 | | | | | | |

REMARK: * Loctite Required

Engine - SN Pre-Mix



Engine - SN Pre-Mix

| Item | Part No. | Description | Qty. | Item | Part No. | Description | Qty. | DIN | TORQUE (MM) (LB.FT.) |
|------|----------|-------------------|------|------|----------|----------------------------|------|-------|-------------------------|
| 1 | 30298 | EC-08 Engine | 1 | A | 80752 | Screw Air Cleaner | 2 | - | - |
| 2 | 42981 | Base Air Cleaner | 1 | B* | 80406 | HHCS M8-1.25 X 30 8.8 ZN | 4 | 933 | 24 18 |
| 3 | 47356 | Air Filter | 1 | C | 80812 | WSHRL M8 Split ZN | 4 | 127B | - |
| 4 | 47358 | Pre-Cleaner | 1 | D | 37695 | Sealing Washer | 4 | - | - |
| 5 | 47357 | Cover Air Cleaner | 1 | E* | 80087 | HHCS M8-1.25 X 25 8.8 ZN | 4 | 933 | 24 18 |
| 6 | 30308 | Clutch | 1 | F | 80812 | WSHRL M8 Split ZN | 4 | 127B | - |
| 7 | 42640 | Nut | 1 | G* | 80899 | PPHMS M4 X 12 Type ZZN | 2 | 7985A | - |
| 8 | 39063 | Clamp | 2 | H | 80763 | SHCS M8-1.25 X 20 12.9 Blk | 2 | 912 | 24 18 |
| 9 | 46643 | Hose Air Cleaner | 1 | I* | 80762 | SHCS M8-1.25 X 40 8.8 ZN | 3 | 912 | 24 18 |
| 10 | 42979 | Elbow | 1 | J* | 80836 | HHCS M6-1.00 X 16 8.8 ZN | 4 | 933 | 8 6 |
| 11 | 47359 | Gasket | 1 | K | 80856 | WSHR M6 Flat 12 OD ZN | 4 | 125A | - |
| 12 | 42896 | Stud | 2 | | | | | | |
| 13 | 65052 | Adaptor Block | 1 | | | | | | |
| 14 | 42996-2 | Plate Muffler | 1 | | | | | | |
| 15 | 23019 | Valve Assembly | 1 | | | | | | |
| 16 | 55322 | Decal Off/On | 1 | | | | | | |

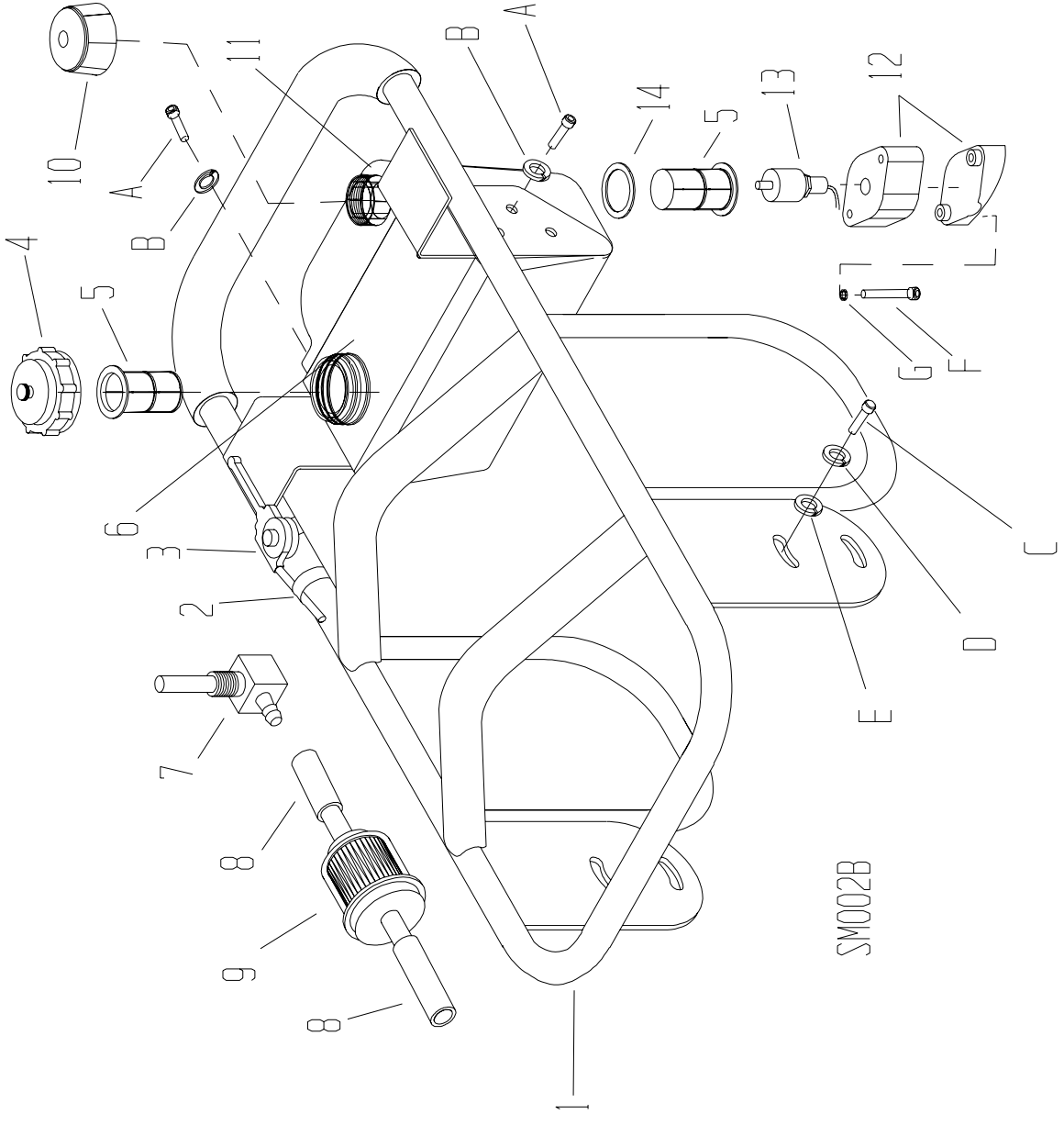
REMARK: * Loctite Required

Engine - SM Oil Injected and SM/SW Pre-Mix

| Item | Part No. | Description | Qty. | Item | Part No. | Description | Qty. | DIN | TORQUE (MM) (LB.FT.) |
|------|----------|---------------------------|------|------|----------|-----------------------------|------|-------|-------------------------|
| 1 | 30554 | EC-12 Oil Injected Engine | 1 | A* | 80406 | HHCS M8-1.25 x 20mm 8.8 ZN | 4 | 933 | 24 18 |
| 2 | 30354 | EC-12 Pre-Mix Engine | 1 | B | 80812 | WSHRL M8 Split ZN | 4 | 127B | - - |
| 3 | 28794 | Clutch | 1 | C | 80813 | WSHR M8 Flat 24 OD ZN | 4 | 9021B | - - |
| 4 | 23019 | Valve Assembly | 1 | D* | 80815 | HHCS M10 1.50 x 30mm 8.8 ZN | 4 | 933 | 35 48 |
| 5 | 39334 | Hose Air Filter | 1 | # * | 80872 | SHCS M10-1.5 x 30mm 8.8 ZN | 2 | 912 | 48 35 |
| 6 | 23064 | Air Filter Set, Lower | 1 | E | 80820 | WSHRL M10 Split ZN | 6 | 7980 | - - |
| 7 | 39329 | Air Filter Coarse Upper | 1 | F | 80926 | HSCS M4.0 x 16 mm ZN | 2 | 7981 | 8 6 |
| 8 | 39330 | Air Filter Fine Upper | 1 | | | | | | |
| 9 | 39332 | Frame Air Filter Upper | 1 | | | | | | |
| 10 | 23063 | Air Filter Assy Upper | 1 | | | | | | |
| | 37928 | Air Filter Assy Lower | 1 | | | | | | |

REMARK: # Not shown
* Loctite Required

Handle and Fuel Tank - ST/SM Oil Injected



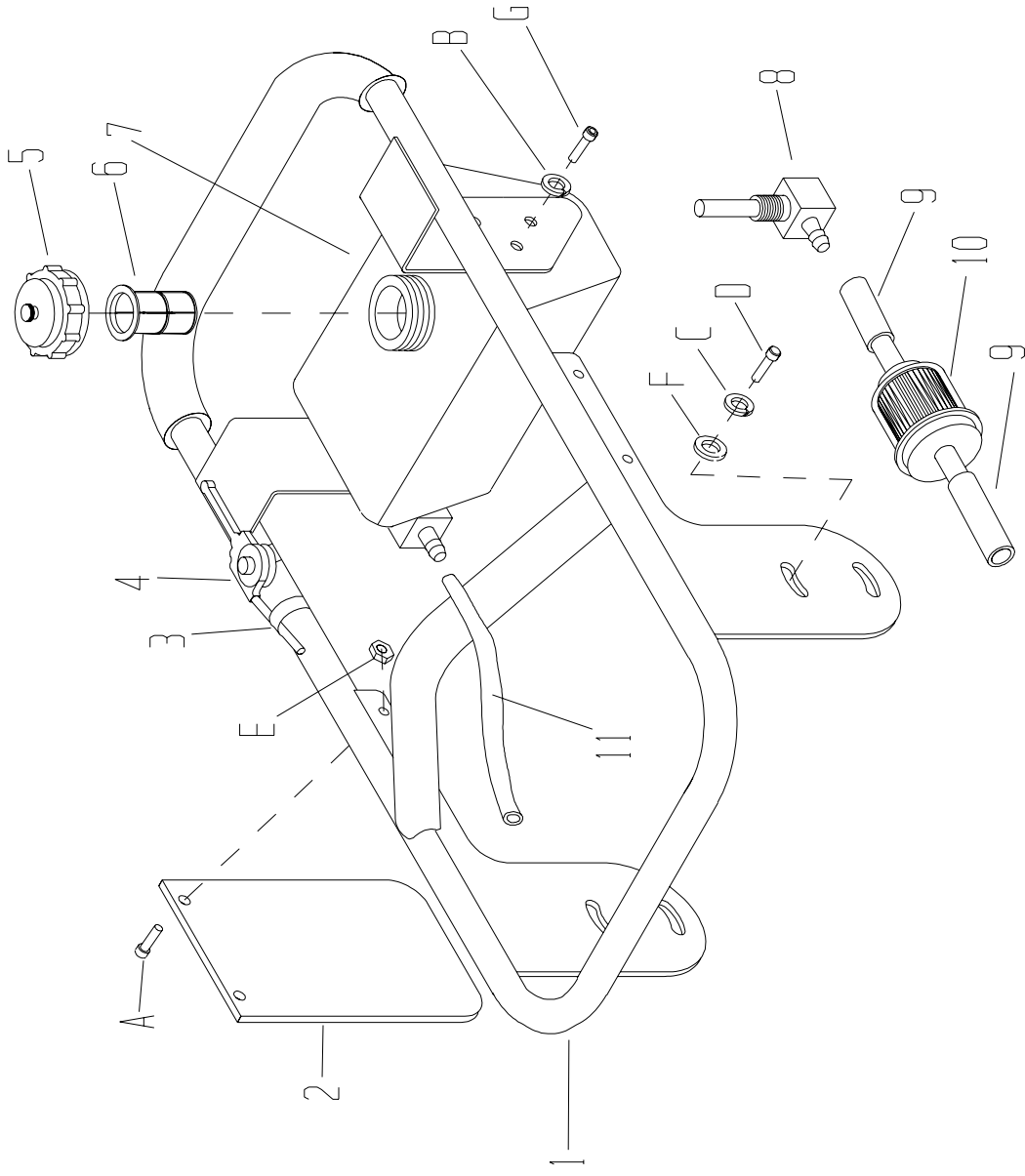
SM002B

Handle and Fuel Tank - ST/SM Oil Injected

| Item | Part No. | Description | Qty. | Item | Part No. | Description | Qty. | DIN | TORQUE (NM) (LB.FT.) |
|------|----------|--------------------------|------|------|----------|-----------------------------------|------|------|----------------------|
| 1 | 43212-2 | Handle SM | 1 | A* | 80894 | SHCS M8 1.25 X 16 MM 8.8 ZN | 10 | 912 | 24 18 |
| | 43211-2 | Handle ST | 1 | B | 80812 | WSHRL M8 SPLIT ZN | 6 | 127B | - |
| 2 | 34091 | Cable Clamp | 1 | C* | 80887 | HHCS M12 1.75 X 20 MM 8.8 ZN (ST) | 4 | 933 | 83 61 |
| 3 | 23069 | Kit Throttle ST/SM | 1 | * | 80803 | SHCS M10-1.5 X 25MM 8.8 ZN (SM) | 4 | 912 | 48 35 |
| | 23068 | Kit Throttle Cable ST/SM | 1 | D | 80804 | WSHRL M12 SPLIT ZN (SM) | 4 | 127B | - |
| 4 | 35701 | Cap Gas | 1 | | 80805 | WSHRL M10 SPLIT ZN (ST) | 4 | 127B | - |
| 5 | 47219 | Strainer | 2 | E | 80807 | WSHR M12 X 24 OD ZN (ST) | 4 | 125A | - |
| 6 | 39350 | Tank Gas | 1 | | 80806 | WSHR M10 X 20 OD ZN (SM) | 4 | 125A | - |
| 7 | 23022 | Tank Fitting | 1 | F | 80912 | SHCS M6 X50 BLK BN2 | 4 | - | - |
| 8 | 28799 | Line Gas | 3 | G | 80856 | WSHR M6 FLAT 12 OD ZN | 4 | 125A | - |
| 9 | 35486 | Filter Gas | 1 | | | | | | |
| 10 | 39346 | Cap Oil | 1 | | | | | | |
| 11 | 39349 | Tank Oil | 1 | | | | | | |
| 12 | 23065 | Tank Guard Set | 1 | | | | | | |
| 13 | 39316 | Sensor Oil | 1 | | | | | | |
| 14 | 32314 | Gasket, Oil Tank | 1 | | | | | | |
| # | 39150 | Hose, Guard | 1 | | | | | | |
| # | 43210 | Wiring Harness | 1 | | | | | | |
| # | 39308 | Ferrule | 2 | | | | | | |

REMARK: * Loctite Required

Handle and Fuel Tank - Diesel

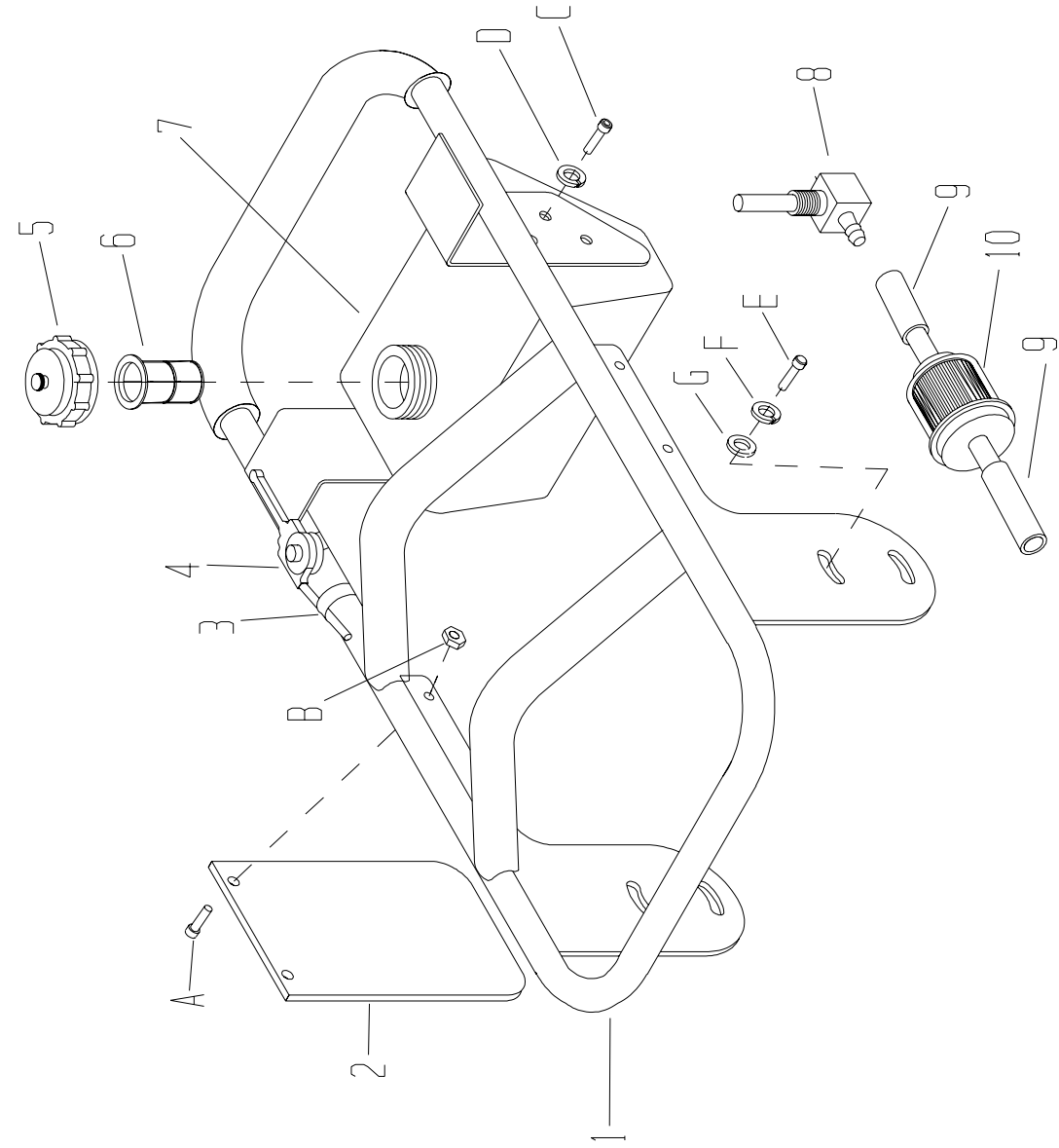


Handle and Fuel Tank - Diesel

| Item | Part No. | Description | Qty. | Item | Part No. | Description | Qty. | DIN | TORQUE (NM) (LB.FT.) |
|------|----------|-----------------------------|------|------|----------|-----------------------------|------|------|-------------------------|
| 1 | 65070-2 | Handle Assembly Weld Diesel | 1 | A* | 80810 | SHCS M8 - 1.25 X 20 8.8 ZN1 | 4 | 912 | 24 18 |
| 2 | 65007-2 | Guard Side | 2 | B | 80812 | WSHRL M8 SPLIT ZN | 6 | 127B | - - |
| 3 | 34091 | Clamp Cable All | 1 | C | 80804 | WSHRL M10 SPLIT ZN | 4 | 127B | - - |
| 4 | 23040 | Throttle Kit ¹ | 1 | D* | 80803 | SHCS M10 - 1.5 X 25 8.8 ZN | 4 | 912 | 48 35 |
| 5 | 35701 | Cap Plastic Gas/Water | 1 | E | 80817 | NUTNY M8 - 1.25 ZN | 4 | 985 | - - |
| 6 | 47219 | Fuel Strainer | 1 | F | 80806 | WSHR M10 FLAT 20 OD ZN | 4 | 125A | - - |
| 7 | 65074 | Fuel Tank Modified Diesel | 1 | G* | 80894 | SHCS M8-1.25 x 16 8.8 ZN | 6 | 912 | 24 18 |
| 8 | 39056 | Valve/Strainer | 1 | | | | | | |
| 9 | 47385 | Fuel Line 5/16 ID | 4 | | | | | | |
| 10 | 39234 | Fuel Filter Diesel | 1 | | | | | | |
| 11 | 47386 | Fuel Line 1/4 ID | 1 | | | | | | |

REMARK: ¹Throttle Kit PN 23040 includes: Cable PN 41029, Jacket PN 47351 and Throttle PN 35431.
* Loctite Required.

Handle and Fuel Tank - SN Pre-Mix



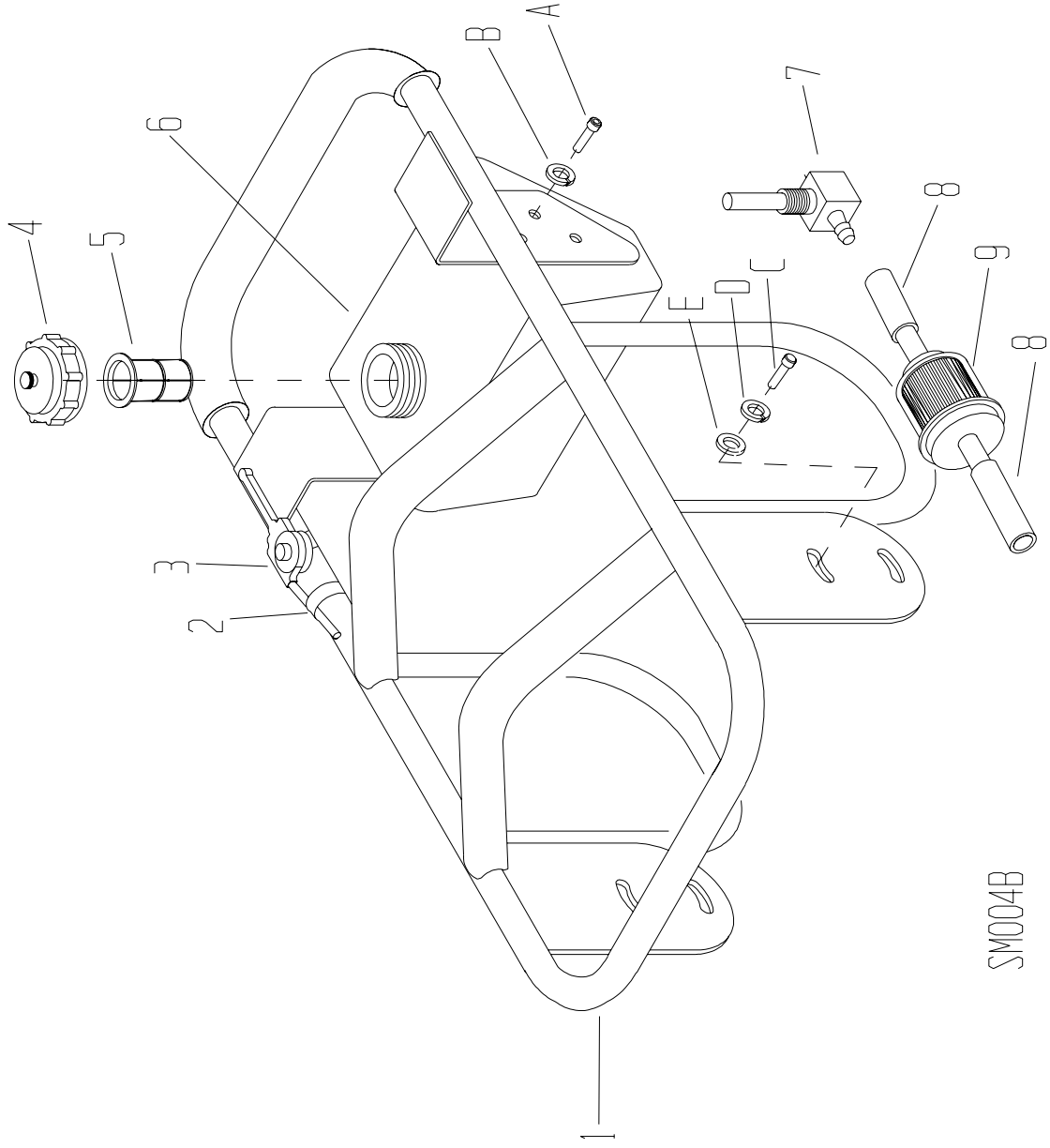
SN004A

Handle and Fuel Tank - SN Pre-Mix

| Item | Part No. | Description | Qty. | Item | Part No. | Description | Qty. | DIN | TORQUE (MM) (LB.FT.) |
|------|----------|-------------------------|------|------|----------|------------------------------|------|------|-------------------------|
| 1 | 65047-2 | Handle SN | 1 | A* | 80810 | SHCS M8 1.25 X 20 8.8 ZN | 4 | 912 | 24 18 |
| 2 | 65007-2 | Guard Side | 1 | B | 80817 | NUTNY M8 1.25 ZN | 4 | 985 | - - |
| 3 | 34091 | Cable Clamp | 1 | C* | 80894 | SHCS M8 1.25 X 16 8.8 ZN | 6 | 912 | 24 18 |
| 4# | 23032 | Throttle Kit SN | 1 | D | 80812 | WSHRL M8 SPLIT ZN | 6 | 127B | - - |
| | 39052 | Throttle Cable SN | 1 | E* | 80887 | HHCS M12 1.75 X 25 MM 8.8 ZN | 4 | 933 | 83 61 |
| | 43227 | Throttle Fitting Nut SN | 1 | F | 80805 | WSHRL M12 SPLIT ZN | 4 | 127B | - - |
| 5 | 35701 | Gas Cap | 1 | G | 80807 | WSHR M12 FLAT 2400 ZN ST/SN | 4 | 125A | - - |
| 6 | 47219 | Strainer | 1 | | | | | | |
| 7 | 65006 | Gas Tank | 1 | | | | | | |
| 8 | 23022 | Tank Fitting | 1 | | | | | | |
| 9 | 28799 | Gas Line | 3 | | | | | | |
| 10 | 35486 | Gas Filter | 1 | | | | | | |

REMARK: #LEVER, CABLE, HOUSING
* Loctite Required

Handle and Fuel Tank - ST, SM, SW Pre-Mix



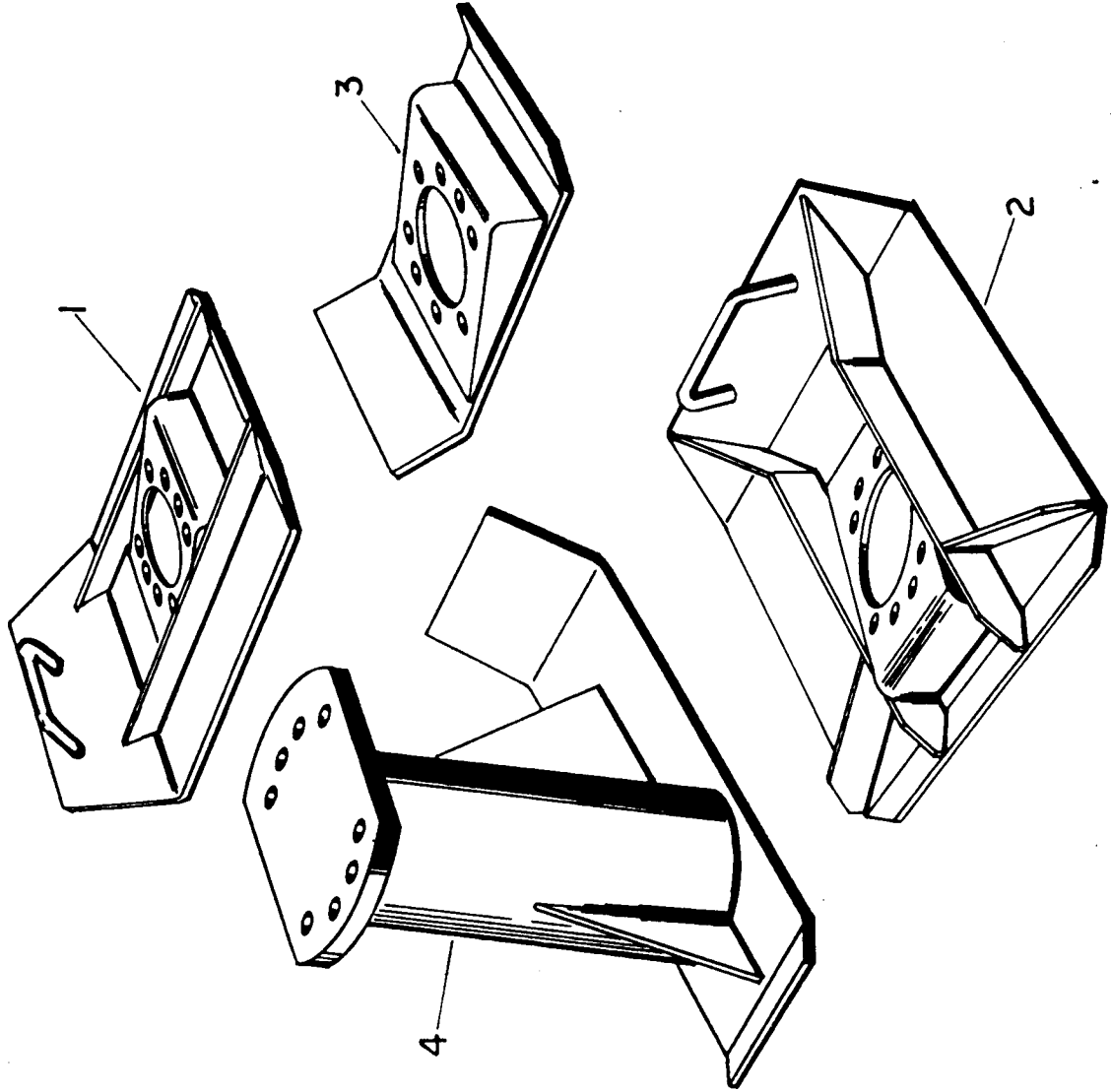
SM004B

Handle and Fuel Tank - ST, SM, SW Pre-Mix

| Item | Part No. | Description | Qty. | Item | Part No. | Description | Qty. | DIN | TORQUE (MM) (LB.FT.) |
|------|----------|-------------------------|------|------|----------|---------------------------------|------|------|-------------------------|
| 1 | 43212-2 | Handle SM/SW | 1 | A* | 80894 | SHCS M8 1.25 X 16 8.8 ZN | 6 | 912 | 24 18 |
| | 43211-2 | Handle st | 1 | B | 80812 | WSHRL M8 SPLIT ZN | 6 | 127B | - - |
| 2 | 34091 | Cable Clamp | 1 | C* | 80803 | SHCS M10 1.5 X 25 8.8 ZN SM/SW | 4 | 912 | 48 35 |
| 3# | 22901 | Throttle Kit ST/SM/SW | 1 | * | 80887 | HHCS M12 1.75 X 25 MM 8.8 ZN ST | 4 | 933 | 83 61 |
| | 39050 | Throttle Cable ST/SM/SW | 1 | D | 80804 | WSHRL M12 SPLIT ZN | 4 | 127B | - - |
| | 43227 | Throttle Fitting Nut | 1 | | 80805 | WSHRL M12 SPLIT ZN | 4 | 127B | - - |
| 4 | 35701 | Gas Cap | 1 | E* | 80806 | WSHR M10 FLAT3000 ZN SM/SW | 4 | 125A | - - |
| 5 | 47219 | Strainer | 1 | | 80807 | WSHR M12 FLAT 2400 ZN ST | 4 | 125A | - - |
| 6 | 65006 | Gas Tank 24:1 EC8 | 1 | | | | | | |
| | 65081 | Gas Tank 50:1 EC12 | 1 | | | | | | |
| 7 | 23022 | Tank Fitting | 1 | | | | | | |
| 8 | 28799 | Gas Line | 3 | | | | | | |
| 9 | 35486 | Gas Filter | 1 | | | | | | |

REMARK:

Shoes for ST Oil Injected and Pre-Mix

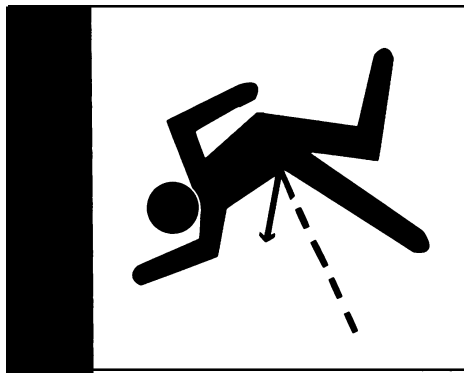


Shoes for ST Oil Injected and Pre-Mix

TORQUE
(NM) (LB.FT.)

| Item | Part No. | Description | Qty. | Item | Part No. | Description | Qty. | DIN | TORQUE (NM) (LB.FT.) |
|------|----------|-------------------------------------|------|------|----------|-------------|------|-----|-------------------------|
| 1 | 22983 | Kit Shoe 11" Wide | | | | | | | |
| 2 | 22984 | Kit Shoe Optional Shoe 15" Wide | | | | | | | |
| 3 | 22985 | Kit Shoe Optional 5" Wide | | | | | | | |
| 4 | 22986 | Kit Shoe Optional Extension 4" Wide | | | | | | | |
| *5 | 22987 | Kit Shoe Optional 4" Wide | | | | | | | |

Decals - Oil Injected



• Springs Under Compression
 • May Cause Injury
 • Consult Manual or Manufacturer Before Removing Plate.
 1-800-888-9926
 55026

CAUTION



Hearing protection required when operating this machine.



Read owners manual before operating or servicing this machine.

55336

OPERATING INSTRUCTIONS

Before starting, check oil level in oil tank. Fill with a quality grade two cycle oil.

With engine off, fill fuel tank with regular grade gasoline.

To start engine: Turn ignition/fuel switch to "ON"; open air vent in fuel tank cap; close choke and pull starter rope.

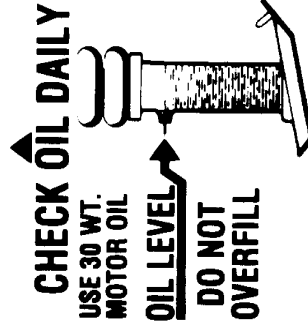
To stop: Turn ignition/fuel switch to "OFF" and close fuel cap vent.

See owners manual for additional instructions.

WARNING

After servicing or repairing unit, make sure oil line is full or engine failure will occur.

55345



55053

NOTICE

CONTACT THE MANUFACTURER IMMEDIATELY AT 1-800-888-9926 IF SAFETY OR HAZARD DECALS OR OWNER'S MANUAL ARE MISSING FROM THIS EQUIPMENT. 55156

AIR FILTER MAINTENANCE

Daily clean filter located on top and the side of the engine.

- Wash foam elements with detergent and water.
- Dry the elements by squeezing between towels.
- Relubricate with engine oil. Squeeze out excess oil and reinstall.

P/N 55337

Decals - Diesel

CAUTION

FUEL OIL

- USE DIESEL FUEL.
- CLEAN FILTER EVERY 500hrs.

LUBE OIL

- SAE 10W30 GRADE CC
- CHANGE LUBE OIL EVERY 100hrs.
- CLEAN FILTER EVERY 100hrs.

STARTING

- CHECK LUBE OIL LEVEL AND FUEL.
- FOR EASY STARTING IN COLD WEATHER, ADD 2cc LUBE OIL TO ROCKER ARM COVER.
- WARM UP WITHOUT LOAD.

STOPPING

- CLOSE FUEL COCK AFTER STOPPING ENGINE.

PN 55325



• Springs Under Compression
• May Cause Injury
• Consult Manual or Manufacturer Before Removing Plate.
1-800-888-9926 55026

HOW TO START

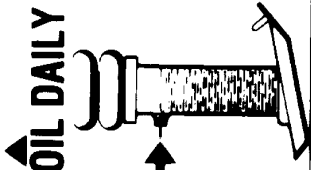
- 1 Open the fuel cock (2) Put the Lever in the "START" position.
- 3 Pull the starting handle slowly.
- 4 Pull until you feel resistance. Then return it slowly.
- 5 Push the decompression lever down and release.
- 6 Pull the rope hard and fast.

If the engine doesn't start, try again from 3

PN55324

CHECK OIL DAILY

USE 30 WT. MOTOR OIL



OIL LEVEL

DO NOT OVERFILL

PN 55053

NOTICE

CONTACT THE MANUFACTURER IMMEDIATELY AT 1-800-888-9926 IF SAFETY OR HAZARD DECALS OR OWNER'S MANUAL ARE MISSING FROM THIS EQUIPMENT. 55156

REMARK: