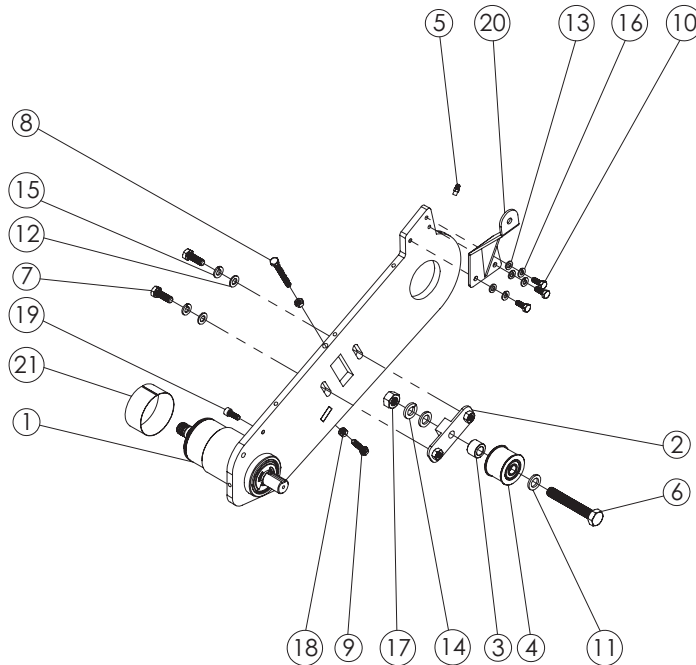


Blade Guard Assembly GC55 and GC25E

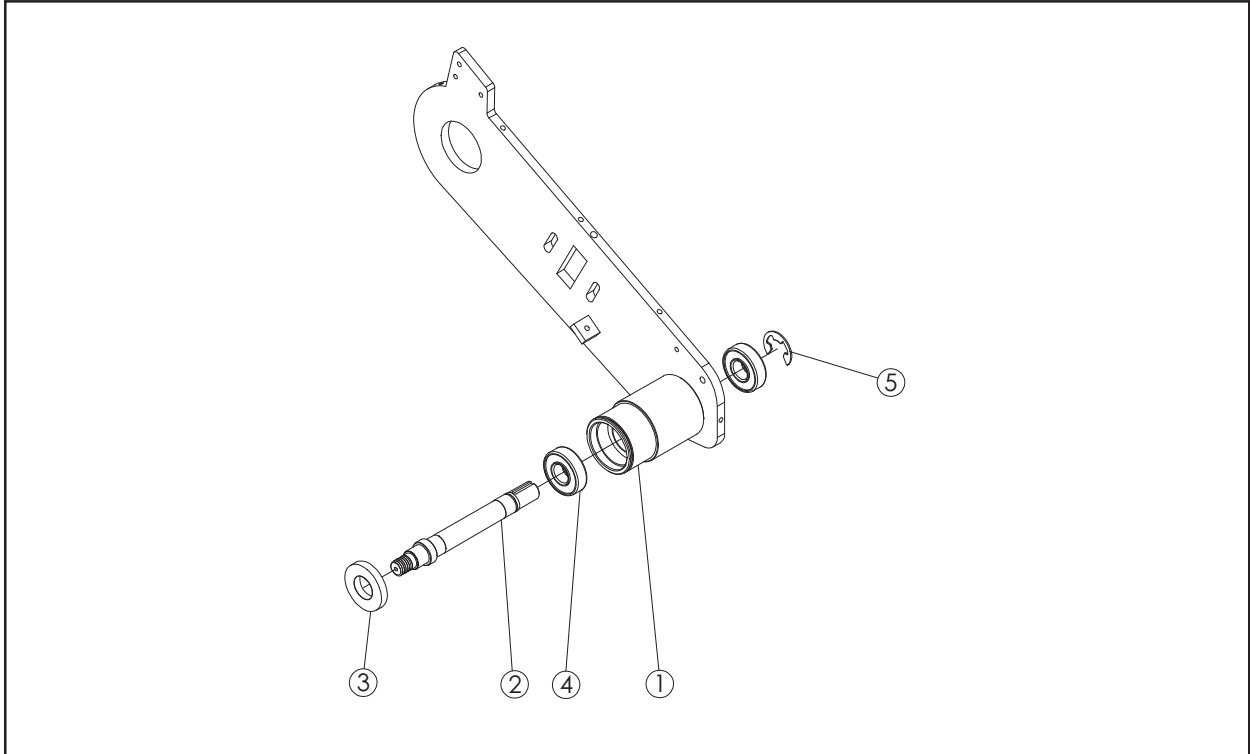
Item	Part No.	UPC No.	Description	Qty	Type	Notes
1	241001	7018464499 1	GUARD BLADE GC55/GC25E	1	S	
2	241002	7018464499 0	BLADE SHAFT VENT COVER	1		
3	27539	7018460058 5	WASHER M6 DIN125 FLAT	4		
4	235048	7018464603 0	SCR M6 X 16 1.0 DIN933	1		
5	300566	7018462439 4	SCR M6 X 12 1.0 DIN933	1		
6	235136	7018460085 0	NUT M6 DIN985 LOCK	1		
7	241003	7018464523 6	SCR THUMB M6 X 12 1.0	1		
8	241004		SPLASH GUARD GC55/GC25E	1		

NortonParts.com
 888-634-4289
 An iBuy Stores Company



Cutting Head Assembly GC55 and GC25E

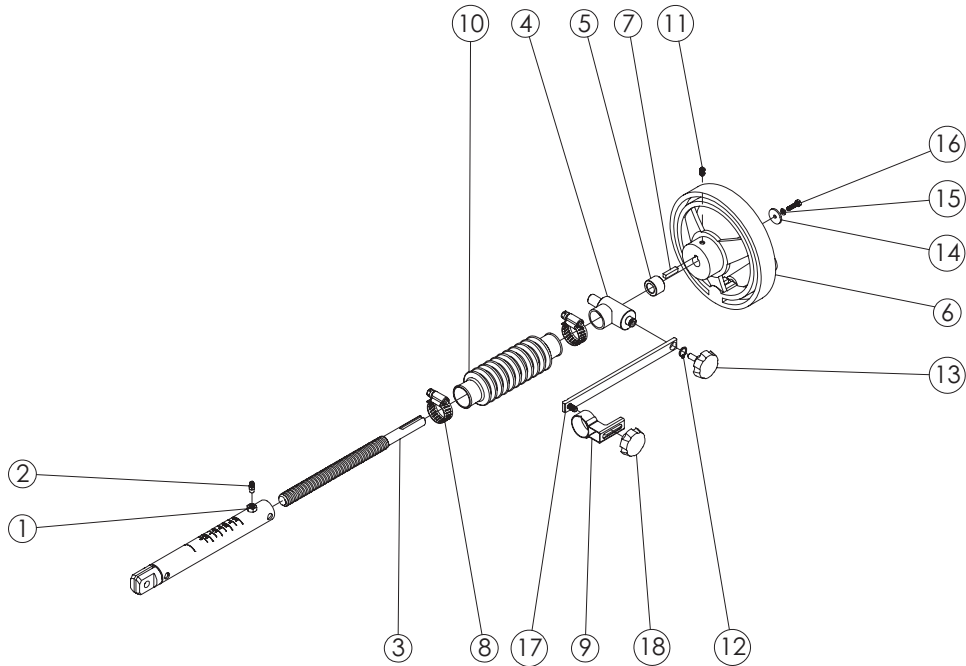
Item	Part No	UPC No.	Description	Qty	Type	Notes
1	241005	70184644256	BEARING CUTTING HEAD SUB ASSY – SEE PG 23 FOR PARTS	1	W	
2	241006	70184644849	PULLEY IDLER TENSION ADJUSTER	1	S	
3	241007	70184644850	SPACER INDLER GC55/GC25E	1	S	
4	241008	70184644851	PULLEY IDLER ASSEMBLY GC55/GC25E	1	S	
5	241009		ZERK FITTING M6	1	S	
6	241010	70184642787	SCR M12 X 80 1.75 DIN933	1	S	
7	300323	70184624388	SCR M8 X 25 1.25 DIN933 FULL THD	2	S	
8	241011	70184645514	SCR M6 X 55 1.0 DIN933 DIN933 or DIN931?	1	S	
9	241012		SCR M6 X 30 1.0 DIN933	1	S	
10	235048	70184646030	SCR M6 X 16 1.0 DIN933	3	S	
11	27505	70184681616	WASHER M12 DIN125 FLAT	2	S	
12	232110	70184600562	WASHER M8 DIN125 FLAT	2	S	
13	27539	70184600585	WASHER M6 DIN125 FLAT	3	S	
14	27017	70184681604	NUT LOCK M12 1.75 DIN985	1	S	
15	300245	70184625604	WASHER LOCK M8 DIN127	2	S	
16	300279	70184600756	WASHER LOCK M6 DIN127B	3	S	
17	27007	70184681603	NUT M12 1.75 DIN934 HEX	1	S	
18	300833	70184625661	NUT M6 1.0 DIN934 HEX	2	S	
19	232113	70184600567	SCR M6 X 16 1.0 DIN912 SHCS	1	S	
20	241013	70184646253	BRACKET DEPTH CONTROL MOUNT GC55	1	S	
	241100		BRACKET DEPTH CONTROL MOUNT GC25E	1	S	
21	241014		BUSHING BLADE GUARD GC55/GC25E	1	S	



Blade Shaft Assembly GC55 and GC25E

Item	Part No	UPC No.	Description	Qty	Type	Notes
1	241015		CUTTING HEAD ASSEMBLY GC55/GC25E	1	S	
2	241016	70184640688	BLADE SHAFT GC55/GC25E	1	W	
3	241017	70184643671	BEARING COVER BLADE SHAFT GC55/GC25E	1	S	
4	212142	70184650408	BEARING RADIAL 6204-RS	2	W	
5	241018	70184642838	RETAINING RING E-STYLE 19mm X 1.8mm DIN6799	1	S	

NortonParts.com
 888-634-4289
 An iBuy Stores Company

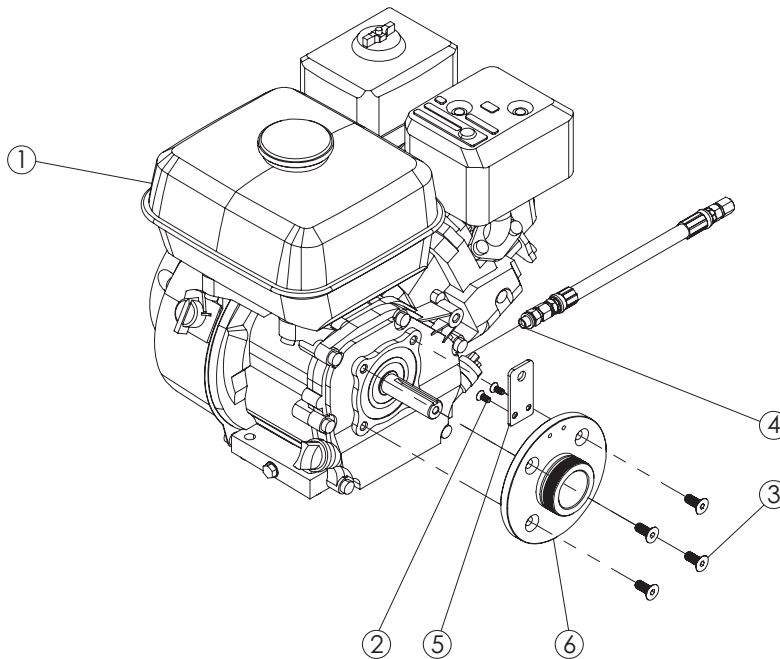


Depth Control Assembly GC55 and GC25E

Item	Part No	UPC No.	Description	Qty	Type	Notes
1	241090	70184644977	DEPTH TUBE GC55/GC25E	1	S	
2	241019		FIT GREASE ZERK M6 X 1.0	1	S	
3	241020	70184644464	SCR DEPTH CONTROL GC55/GC25E	1	S	
4	241021	70184644978	DEPTH CONTROL MOUNT GC55/GC25E	1	S	
5	241022	70184644466	SPACER HAND WHEEL GC55/GC25E	1	S	
6	241023	70184644463	HAND WHEEL GC55/GC25E	1	S	
7	9201074	70184660346	KEY 3/16X3/4	1	S	
8	241024		CLAMP HOSE 13/16" TO 1-3/4" X 1/2"W WORM TYPE	2	S	
9	241025	70184644980	DEPTH GAUGE POINTER GC55/GC25E	1	S	
10	241026	70184643282	BELLOWS GC55/GC25E	1	W	
11	241027	70184640684	SCR M5 X 10 0.8 DIN916 SET CUP POINT	1	S	
12	241028	70184645237	RETAINING RING C-STYLE 10mm X 1.0mm DIN471	1	S	
13	241029	70184642615	KNOB W/THREADED STUD M6 X 15 1.0	1	S	
14	241089	70184644465	WASHER M4 X 19mm X 2mm	1	S	
15	241030		WASHER LOCK M4 DIN127	1	S	
16	235057	70184600786	SCR M4 X 16 0.7 DIN933	1	S	
17	241031	70184644979	DEPTH CONTROL POINTER BAR GC55/GC25E	1	S	
18	241032	70184642616	KNOB W/THREADED HOLE M6 X 15 1.0	1	S	

NortonParts.com
888-634-4289

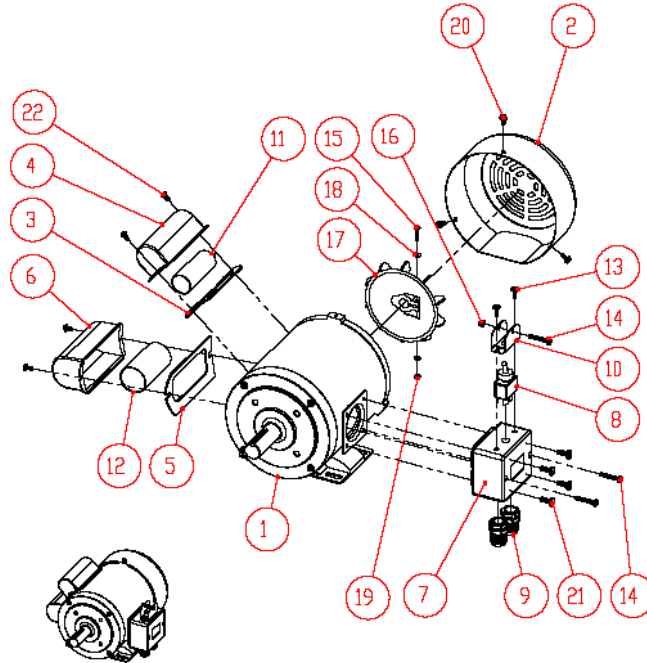
An iBuy Stores Company



Engine Assembly GC55 Only

Item	Part No	UPC No.	Description	Qty	Type	Notes
1	216264	70184649829	ENG 5.5HP HONDA	1	S	
2	241033		SCR M5 X 12 0.8 FLAT HEAD SOCKET CAP	2	S	
3	241034		SCR 5/16"-24 UNF X 3/4" C'SINK SOCKET HEAD	4	S	
4	241035		OIL DRAIN HOSE ASSY 5.5HP HONDA	1	S	
5	241036	70184644999	BRACKET SELF LEVELING MOUNT GC55	1	S	
6	241037	70184645000	CUTTING HEAD FLANGE GC55	1	S	

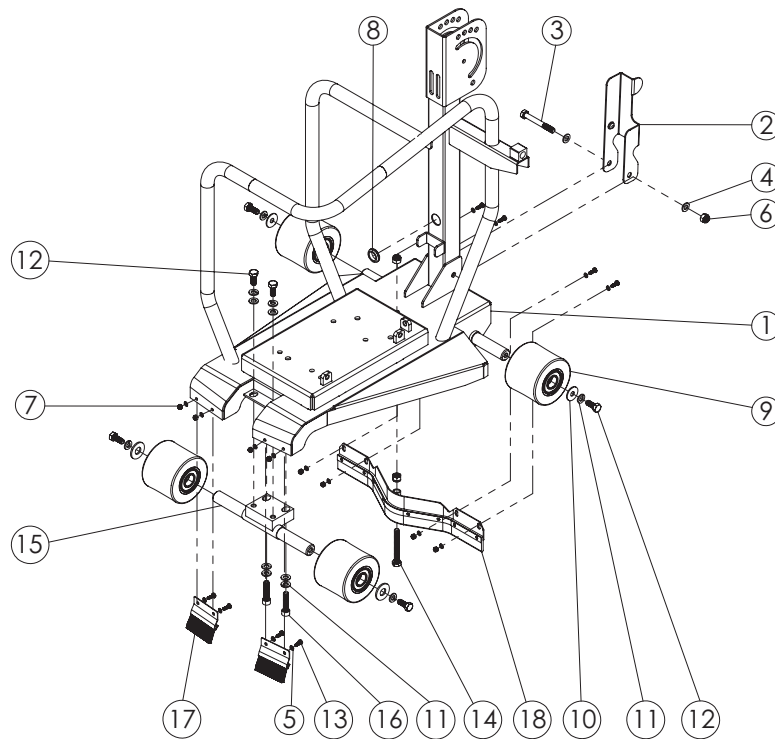
NortonParts.com
 888-634-4289
 An iBuy Stores Company



Motor Assembly GC25E

Item	Part No	UPC No.	Description	Qty	Type	Notes
1	241112		MOT 2.5HP 115-230v/60/1 GC25E COMPLETE MOTOR (ITEMS 2 to 21)	1	S	
2	241113		COVER FAN GC25E	1	S	
3	241114		GASKET RUN CAPACITOR COVER GC25E	1	W	
4	241115		COVER RUN CAPACITOR GC25E	1	S	
5	241116		GASKET START CAPACITOR COVER GC25E	1	W	
6	241117		COVER START CAPACITOR GC25E	1	S	
7	241118		BOX VOLTAGE CHANGE SWITCH GC25E	1	S	
8	241119		TOGGLE SWITCH GC25E	1	W	
9	241120		CABLE GLAND PG-11	2	S	
10	241121		GUARD SWITCH GC25E	1	S	
11	241122		CAPACITOR RUN GC25E	1	W	
12	241123		CAPACITOR START GC25E	1	W	
13	241124		SCR 10-24 X 3/8 PHILLIPS ROUND HEAD	2	S	
14	241125		SCR M5 X 40 0.8 DIN7985 PH PHILLIPS	3	S	
15	241126		SCR M5 X 40 0.8 DIN7985 PH PHILLIPS	1	S	
16	241127		NUT M5 0.8 LOCK DIN985	1	S	
17	241128		FAN GC25E	1	S	
18	235104	7018460087	WASHER M4 DIN125 FLAT	2	S	
19	241129		NUT M4 0.7 DIN934	1	S	
20	241124		SCR 10-24 X 3/8 PHILLIPS ROUND HEAD	3	S	
21	241125		SCR M6 X 16 1.0 DIN7985 PH PHILLIPS	4	S	
22	241126		SCR 10-24 X 1/4 PHILLIPS ROUND HEAD	4	S	

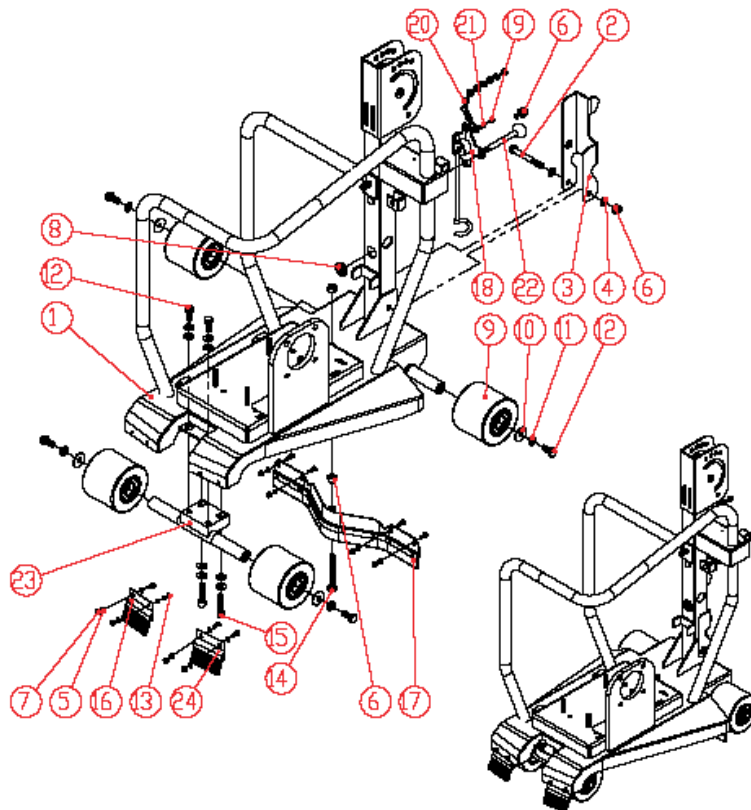
NortonParts.com
 888-634-4289
 An iBuy Stores Company



Frame Assembly GC55 Only

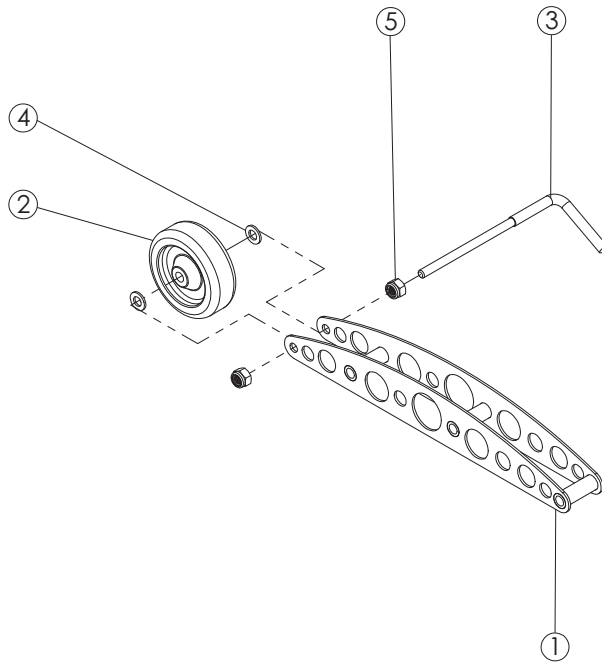
Item	Part No	UPC No.	Description	Qty	Type	Notes
1	241038		FRAME GC55	1	S	
2	241039	70184644992	REAR POINTER GC55/GC25E	1	S	
3	241040		SCR M8 X 65 1.25 DIN931 HEX HEAD CAP	1	S	
4	232110	70184600562	WASHER M8 DIN125 FLAT	6	S	
5	235104	70184600873	WASHER M4 DIN125 FLAT	16	S	
6	241041	70184640778	NUT M8 1.25 LOCK DIN985	3	S	
7	241042		NUT M4 0.7 LOCK DIN985	8	S	
8	241043		GROMMENT GC55	1	S	
9	241044	70184645698	WHEEL W/BEARING GC55/GC25E	4	W	
10	241045	70184625604	WASHER M8 X 24MM OD DIN9021B	4	S	
11	300245	70184625604	WASHER LOCK M8 DIN127	8	S	
12	235013	70184600735	SCR M8 X 20 1.25 DIN933 HEX HEAD CAP	6	S	
13	235103	70184600872	SCR M4 X 12 0.7 DIN933 HEX HEAD CAP	8	S	
14	241040		SCR M8 X 65 1.25 DIN931 HEX HEAD CAP	1	S	
15	241046	70184644994	FRONT AXLE GC55/GC25E	1	S	
16	241047		SCR M8 X 35 1.25 SOCKET HEAD CAP DIN912	2	S	
17	241048	70184641217	BRUSH WHEEL OPERATOR'S RIGHT GC55/GC25E	1	W	
18	241049	70184641218	BRUSH WHEEL OPERATOR'S LEFT GC55/GC25E	1	W	
19	241050	70184640818	SQUEEGEE ASSEMBLY ONLY GC55/GC25E	1	W	

Normanarts.com
888-594-4289
An iBuy Stores Company



Frame Assembly GC25E Only

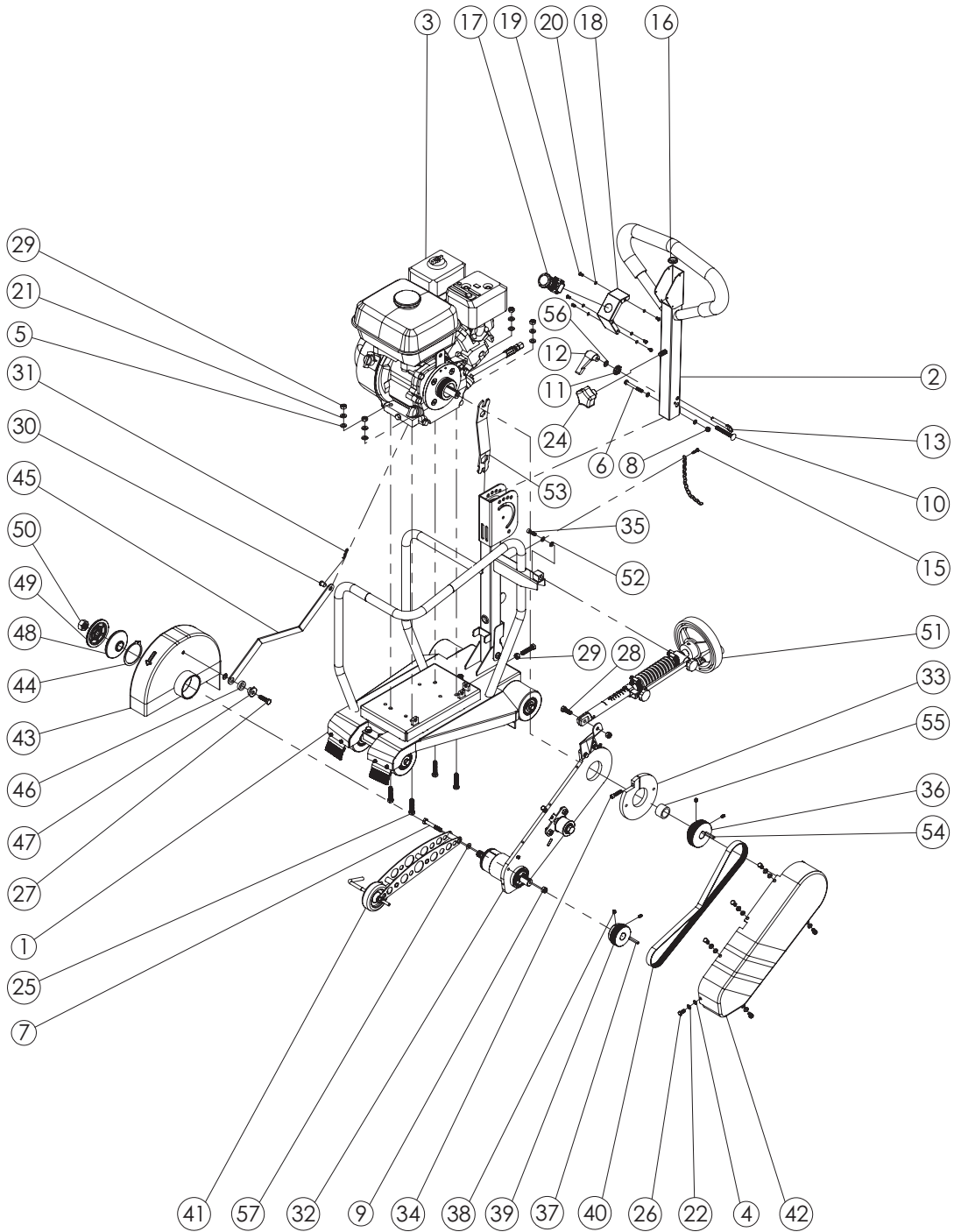
Item	Part No	UPC No.	Description	Qty	Type	Notes
1	241101		FRAME GC25E	1	S	
2	241040		SCR M8 X 65 1.25 DIN931 HEX HEAD CAP	1	S	
3	241039	70184644992	REAR POINTER GC55	1	S	
4	232110	70184600562	WASHER M8 DIN125 FLAT	7	S	
5	235104	70184600873	WASHER M4 DIN125 FLAT	17	S	
6	241041	70184640778	NUT M8 1.25 LOCK DIN985	4	S	
7	241042		NUT M4 0.7 LOCK DIN985	8	S	
8	241058		GROMMET GC55	1	S	
9	241044	70184645698	WHEEL W/BEARING GC55	4	W	
10	241045		WASHER M8 X 24MM OD DIN9021B	4	S	
11	300245	70184625604	WASHER LOCK M8 DIN127	8	S	
12	235013	70184600735	SCR M8 X 20 1.25 DIN933 HEX HEAD CAP	6	S	
13	235103	70184600872	SCR M4 X 12 0.7 DIN933 HEX HEAD CAP	8	S	
14	241040		SCR M8 X 65 1.25 DIN931 HEX HEAD CAP	1	S	
15	241047		SCR M8 X 35 1.25 SOCKET HEAD CAP DIN912	2	S	
16	241048	70184641217	BRUSH WHEEL OPERATOR'S RIGHT GC55	1	W	
17	241050	70184640818	SQUEEGEE ASSEMBLY ONLY GC55	1	W	
18	241102		POWER CABLE SUSPENSION ARM GC25E	1	S	
19	235099	70184600898	SCR M4 X 8 0.7 DIN966 PHILIPS	1	S	
20	241056		CHAIN FOR QUICKRELEASE PIN 9" LONG GC55	1	S	
21	241030		WASHER LOCK M4 DIN127	1	S	
22	241092	70184645614	PIN QUICKRELEASE 5/16" X 2" GRIP LENGTH	1	S	
23	241046	70184644994	FRONT AXLE GC55	1	S	
24	241049	70184641218	BRUSH WHEEL OPERATOR'S LEFT GC55	1	W	



Front Pointer Assembly GC55 and GC25E

Item	Part No	UPC No.	Description	Qty	Type	Notes
1	241085	70184640686	POINTER WELDMENT GC55/GC25E	1	S	
2	241086	70184640776	WHEEL 75X28X8mm	1	W	
3	241087	70184640777	FRONT POINTER ROD GC55/GC25E	1	S	
4	232110	70184600562	WASHER M8 DIN125 FLAT	2	S	
5	241041	70184640778	NUT M8 1.25 LOCK DIN985	2	S	

NortonParts.com
 888-634-4289
 An iBuy Stores Company



Main Assembly GC55 Only

NortonParts.com

888-634-4289

An iBuy Stores Company

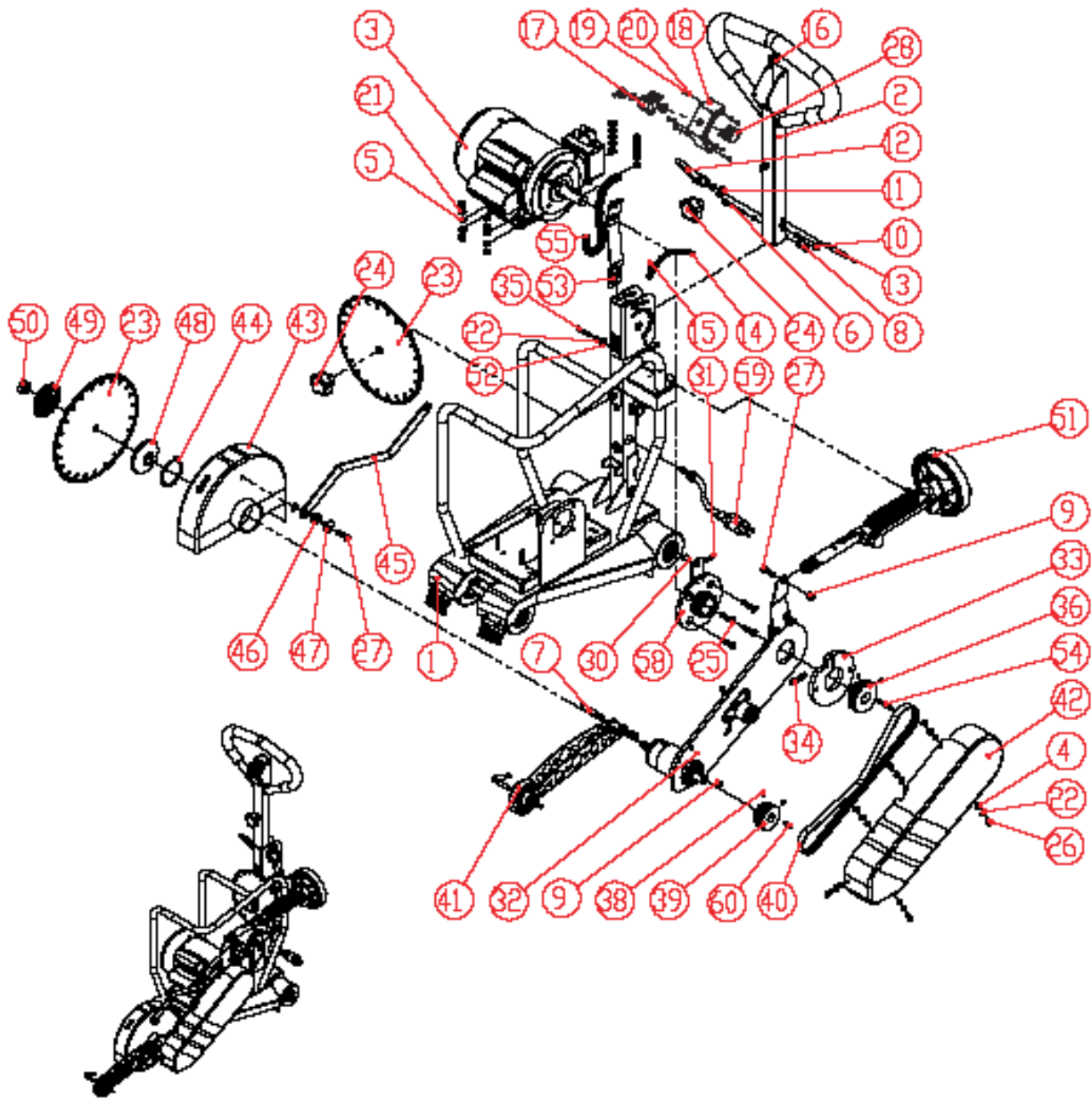
Main Assembly GC55 Only

Item	Part No	UPC No.	Description	Qty	Type	Notes
1	-NA-		SEE FRAME ASSY GC55 PAGE 30	1		
2	241052	70184640274	HANDLE BAR GC55	1	S	
3	-NA-		ENGINE ASSEMBLY GC55 SEE PAGE 28	1		
4	27539	70184600585	WASHER M6 DIN125 FLAT	8	S	
5	232110	70184600562	WASHER M8 DIN125 FLAT	6	S	
6	241011	70184600563	SCR M6 X 55 1.0 DIN933 HEX HEAD CAP	1	S	
7	360146	70184626008	SCR M8 X 60 1.25 DIN933 HHC FULL THD	1	S	
8	235136	70184600850	NUT M6 DIN985 LOCK	1	S	
9	241041	70184640778	NUT M8 1.25 LOCK DIN985	2	S	
10	241054	70184645612	SCR 5/16-18 UNC X 2-1/2" CARRIAGE BOLT	1	S	
11	241055	70184645613	WASHER 3/8 WAVE	1	S	
12	241091	70184644996	KNOB M8 X 1.25 ADJUSTABLE	1	S	
13	241092	70184645614	PIN QUICKRELEASE 5/16" X 2" GRIP LENGTH	1	S	
14	241056		CHAIN FOR QUICKRELEASE PIN 9" LONG	1	S	
15	241057		SCR NO18-18 X 3/4" SELF DRILLING ROUND HD	1	S	
16	241058		GROMMET GC55	1	S	
17	241059	70184640275	SWITCH EMERGENCY STOP GC55	1	W	
18	241060		SWITCH PANEL GC55	1	S	
19	235099	70184600898	SCR M4 X 8 0.7 DIN966 PHILIPS	6	S	
20	241030		WASHER LOCK M4 DIN127	6	S	
21	300245	70184625604	WASHER LOCK M8 DIN127	4	S	
22	300279	70184600756	WASHER LOCK M6 DIN127B	7	S	
23	Contac t Custo mer Service		DIAMOND BLADE CONTACT CUSTOMER SERVICE does not show up in diagram – delete?	1		
24	241061	70184643194	KNOB W/THREADED HOLE M10 X 1.5 X 50mm DIA	1	S	
25	235009	70184600732	SCR M8 X 40 1.25 DIN933	5	S	
26	241062	70184640687	SCR M6 X 14 1.0 DIN933	6	S	
27	241063		SCR M8 X 30 1.25 DIN933	1	S	
28	300323	70184625643	SCR M8 X 25 1.25 DIN933 HHC FULL THD	1	S	
29	300273	70184625643	NUT M8 1.25 DIN934 HEX	5	S	
30	241064		PIN CLEVIS 9.5MM D X 11L - 6.9MM USABLE LG	1	S	
31	241065		HAIR PIN COTTER 1/4 TO 1/2 DIA X 0.062 X 1-5/16L	1	S	
32	-NA-		SEE CUTTING HEAD ASSEMBLY PAGE 25	1		
33	241067	70184644997	COLLAR LOCK GC55	1	S	
34	241068		SCR M6 X 30 1.0 DIN912 SOCKET HEAD HEX	1	S	
35	241069		SCR M6 X 20 1.0 DIN912 SOCKET HEAD HEX	1	S	
36	241070	70184643672	PULLEY 70MM D X 3/4B 6G J SECTION	1	W	
37	920107	70184660346	KEY 3/16X3/4	1	S	

Item	Part No	UPC No.	Description	Qty	Type	Notes
38	241027	70184640684	SCR M5 X 10 0.8 DIN916 CUP POINT SET	4	S	
39	241071	70184640683	PULLEY 56.5MM D X 3/4B 6G J SECTION	1	W	
40	241072	70184640685	BELT 350J6 - J SECTION 6 GROOVE	1	W	
41	-NA-		SEE FRONT POINT ASSEMBLY GC55/GC2E PAGE 32	1		
42	241074	70184644976	BELT GUARD GC55	1	S	
43	-NA-		SEE BLADE GUARD ASSEMBLY GC55/GC25E PAGE 24	1		
44	241076		RETAINING RING C-STYLE 60mm X 2.0mm DIN471	1	S	
45	241078	70184640682	ARM STAY LEVEL GC55/GC25E	1	S	
46	241079	70184645238	SPACER M14	1	S	
47	241080	70184645239	CAM STAY LEVEL GC55/GC25E	1	S	
48	241082	70184644461	TIGHT COLLAR GC55/GC25E	1	W	
49	241081	70184644460	LOOSE COLLAR GC55/GC25E	1	W	
50	241083	70184645330	NUT 5/8-11 UNC HEX LEFT HAND THREAD	1	S	
51	-NA-		SEE DEPTH CONTROL ASSEMBLY GC55/GC25E PAGE 27	1		
52	27539	70184600585	WASHER M6 DIN 125 FLAT	1	S	
53	233041	70184680905	WRENCH UNIVERSAL	1	W	
54	9201080	70184662750	KEY 3/16X1 ¼	1	S	
55	241088		SPACER SHAFT GC55/GC25E	1	S	
56	232110	70184600562	WASHER M8 DIN125 FLAT	1	S	
57	232110	70184600563	WASHER M8 DIN125 FLAT	1	S	

Main Assembly GC55 Only

NortonParts.com
 888-634-4289
 An iBuy Stores Company



Main Assembly GC25E Only

Item	Part No	UPC No.	Description	Qty	Type	Notes
1	-NA-		SEE FRAME ASSEMBLY GC25E PAGE 31	1		
2	241052	70184640274	HANDLE BAR GC55	1	S	
3	-NA-		SEE MOTOR ASSEMBLY GC25E PAGE 29	1		
4	27539	70184600585	WASHER M6 DIN125 FLAT	8	S	
5	232110	70184600562	WASHER M8 DIN125 FLAT	12	S	
6	27030B	70184681621	SCR M10 X 60 1.5 DIN931	1	S	
7	360146	70184626008	SCR M8 X 60 1.25 DIN933 HHC FULL THD	1	S	
8	235136	70184600850	NUT M6 DIN985 LOCK	1	S	

An iBuy Stores Company

Item	Part No	UPC No.	Description	Qty	Type	Notes
9	241041	70184640778	NUT M8 1.25 LOCK DIN985	2	S	
		70184650399	SCR 5/16-18 UNC X 2-1/2" CARRIAGE			
10	241054		BOLT	1	S	
11	241055	70184650400	WASHER 3/8 WAVE	1	S	
12	241091	70184644996	KNOB M8 X 1.25 ADJUSTABLE	1	S	
		70184645614	PIN QUICKRELEASE 5/16" X 2" GRIP			
13	241092		LENGTH	1	S	
			CHAIN FOR QUICKRELEASE PIN 9" LONG			
14	241056		GC55	1	S	
			SCR NO18-18 X 3/4" SELF DRILLING			
15	241057		ROUND HEAD	1	S	
16	241058		GROMMET GC55	1	S	
17	241104		SHIELD POWER SWITCH GC25E	1	S	
18	241105		PANEL POWER SWITCH GC25E	1	S	
19	235099	70184600898	SCR M4 X 8 0.7 DIN966 PHILIPS	6	S	
20	241030	70184625604	WASHER LOCK M4 DIN127	6	S	
21	300245	70184625604	WASHER LOCK M8 DIN127	4	S	
22	300279	70184600756	WASHER LOCK M6 DIN127B	7	S	
			DIAMOND BLADE CONTACT CUSTOMER			
23	-NA-		SERVICE			
		70184643194	KNOB W/THREADED HOLE M10 X 1.5 X			
24	241061		50mm DIA	2	S	
25	241106	70184643566	SCR M8 X 35 1.25 SHCS DIN7991	4	S	
26	241062	70184640687	SCR M6 X 14 1.0 DIN933	6	S	
27	241063		SCR M8 X 30 1.25 DIN933	2	S	
28	235165		SWITCH TOGGLE (POWER) 20A	1	W	
			PIN CLEVIS 9.5MM D X 11L - 6.9MM			
30	241064		USABLE LENGTH	1	S	
			HAIR PIN COTTER 1/4 TO 1/2 DIA x 0.062			
31	241065		x 1-5/16L	1	S	
			SEE CUTTING HEAD ASSEMBLY GC25E			
32	-NA-		PAGE 25	1		
33	241067	70184644997	COLLAR LOCK GC55	1	S	
			SCR M6 X 30 1.0 DIN912 SOCKET HEAD			
34	241068		HEX	1	S	
			SCR M6 X 20 1.0 DIN912 SOCKET HEAD			
35	241069		HEX	1	S	
36	241107		PULLEY 70MM D X 3/4B 6G J SECTION	1	W	
38	241027	70184640684	SCR M5 X 10 0.8 DIN916 SET CUP POINT	4	S	
39	241071	70184640683	PULLEY 56.5MM D X 3/4B 6G J SECTION	1	W	
40	241072	70184640685	BELT 350J6 - J SECTION 6 GROOVE	1	W	
41	241073		SEE FRONT POINT ASSEMBLY PAGE 27	1		
42	241074	70184644976	BELT GUARD GC55	1	S	
43	241075		BLADE GUARD ASSEMBLY GC55	1	S	

NortonParts.com
888-634-4289

An iBuy Stores Company

Item	Part No	UPC No.	Description	Qty	Type	Notes
44	241076		RETAINING RING C-STYLE 60mm X 2.0mm DIN471	1	S	
45	241078	70184640682	ARM STAY LEVEL GC55	1	S	
46	241079	70184645238	SPACER M14	1	S	
47	241080	70184645239	CAM STAY LEVEL GC55	1	S	
48	241081	70184644460	TIGHT COLLAR GC55/GC25E	1	W	
49	241082	70184644461	LOOSE COLLAR GC55/GC25E	1	W	
50	241083	70184645330	NUT 5/8-11 UNC HEX LEFT HAND THREAD	1	S	
51	241084		DEPTH CONTROL ASSEMBLY GC55	1	S	
52	27539	70184600585	WASHER M6 DIN 125 FLAT	1	S	
53	233041	70184680905	WRENCH UNIVERSAL	1	W	
54	241108		KEY 5 X 5 X 45mm	1	S	
55	241109		CONDUIT 14.5mm D x 10mm ID FLEXIBLE	1	S	
58	241110		CUTTING HEAD FLANGE GC25E CABLE POWER W/FM TWIST LOCK	1	S	
59	241111		GC25E	1	S	
60	9201074	70184660346	KEY 3/16X3/4	1	S	
61	241041	70184640778	NUT M8 1.25 LOCK DIN985	8	S	

NortonParts.com
888-634-4289
An iBuy Stores Company