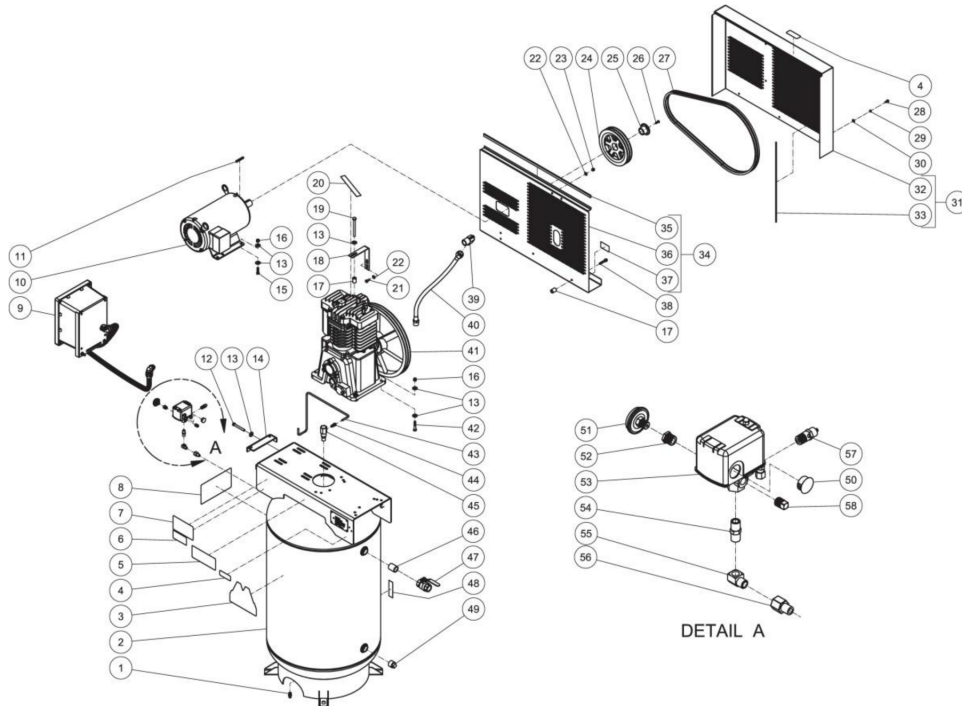




AM2-VE75-80M / AM2-VE75-80M (sn:0-99999999)

TANK ASSEMBLY



Id	Item #	Description	Quantity
1	23-0312	PETCOCK	1
2	12-0203A01	TANK ASSEMBLY	1
3	34-2170	DECAL - MI-T-M	1
4	N/A	DECAL - RISK OF BURNS (SEE 34-9016)	2
5	N/A	DECAL - OPERATING INSTRUCTIONS (SEE 34-9016)	1
6	N/A	DECAL- DATA PLATE	1
7	N/A	DECAL - MAINTENANCE INSTRUCTIONS (SEE 34-9016)	1
8	N/A	DECAL - CAUTION/WARNING/DANGER (SEE 34-9016)	1
9	AX-0044	STARTER OPTION 230V/ 1 PHASE	1
9	AX-0045	STARTER OPTION 200V/ 3 PHASE	1
9	AX-0046	STARTER OPTION 230V/ 3 PHASE	1
9	AX-0047	STARTER OPTION 460V/ 3 PHASE	1
10	2-0162	MOTOR (230V/1 PHASE)	1
10	2-0163	MOTOR (200V/3 PHASE)	1

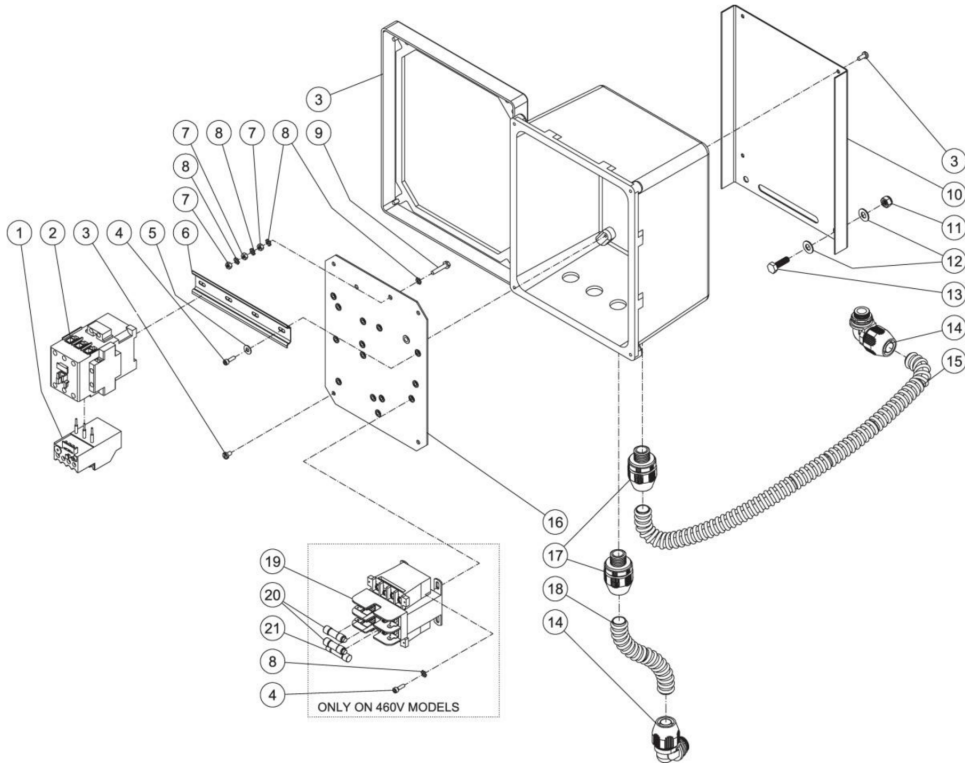
Id	Item #	Description	Quantity
10	2-0164	MOTOR (230V/3PHASE, 460V/3 PHASE)	1
11	43-0078	KEY	1
12	27-0576	BOLT	2
13	28-0023	WASHER	20
14	20-1036A01	BELT TENSIONER PLATE	1
15	27-0118	BOLT	4
16	30-0159	LOCKNUT	8
17	33-0425	SPACER	5
18	20-1031A01	BELTGUARD STABILIZER	2
19	27-8071	BOLT	2
20	N/A	DECAL - CHECK OIL (SEE 34-9016)	1
21	27-0066	BOLT	4
22	28-0003	WASHER	8
23	30-0157	LOCKNUT	4
24	SEE CHART	SHEAVE	1
25	9-0010	BUSHING	1
26	27-0015	BOLT	2
27	SEE CHART	BELT	2
28	27-8001	BOLT	3
29	29-0006	LOCKWASHER	3
30	28-0002	WASHER	3
31	854-0097	BELTGUARD FRONT ASSEMBLY (INC. 32, 33)	1
32	N/A	BELTGUARD FRONT PANEL (SEE 854-0097)	1
33	33-0423	EDGING *(TWO FEET REQUIRED)	2
34	854-0096	BELTGUARD BACK ASSEMBLY (INC. 35-37)	1
35	33-0020	EDGING *(THREE FEET REQUIRED)	1
36	N/A	BELTGUARD BACK ASSEMBLY (SEE 854-0096)	1
37	N/A	DECAL - BELTGUARD IN PLACE (SEE 34-9016)	1
38	27-9529	BOLT	3
39	23-0472	ELBOW	1
40	15-0259	HOSE	1
41	3-0312	PUMP	1
42	27-0121	BOLT	4
43	54-0034	COPPER TUBING *(THREE FEET REQUIRED)	1
44	23-0328	ADAPTER	1
45	22-0435	CHECK VALVE	1
46	24-0200	NIPPLE	1
47	22-0344	BALL VALVE	1
48	N/A	DECAL - TANK DRAIN (SEE 34-9016)	1

Id	Item #	Description	Quantity
49	24-0219	PLUG	1
50	39-0014	PLUG	1
51	22-0271	PRESSURE GAUGE	1
52	23-0111	REDUCER	1
53	22-0416	PRESSURE SWITCH	1
54	24-0145	NIPPLE	1
55	23-0014	ELBOW	1
56	23-0126	ADAPTER	1
57	22-0267	PRESSURE RELIEF VALVE	1
58	24-0009	PLUG	1
59	22-0267	PRESSURE RELIEF VALVE (NOT SHOWN, ON PUMP HEAD)	1
	34-9016	DECAL SET	1



AM2-VE75-80M / AM2-VE75-80M (sn:0-99999999)

AX-OPTION



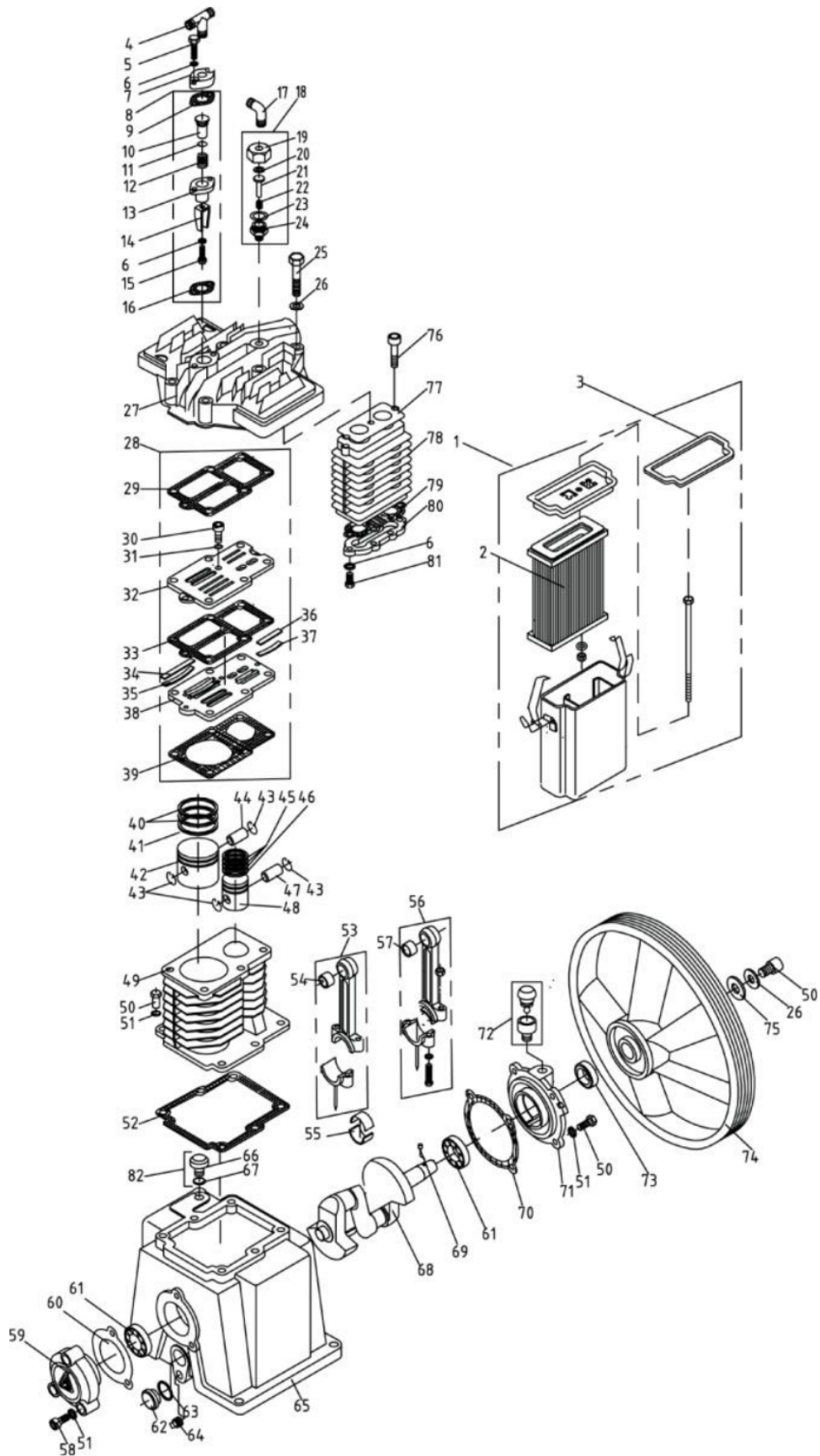
Id	Item #	Description	Quantity
1	32-0485	OVERLOAD RELAY (AX-0044) 230V 1 PHASE	1
1	32-0483	OVERLOAD RELAY (AX-0045, AX-0046) 200V/ 230V 3 PHASE	1
1	32-0481	OVERLOAD RELAY (AX-0047) 460V 3 PHASE	1
2	32-0232	CONTACTOR (AX-0044) 230V 1 PHASE	1
2	32-0945	CONTACTOR (AX-0045) 200V 3 PHASE	1
2	32-0235	CONTACTOR (AX-0046) 230V 3 PHASE	1
2	32-0327	CONTACTOR (AX-0047) 460V 3 PHASE	1
3	32-079901	ELECTRIC BOX	1
4	27-8835	SCREW	5
5	28-0001	WASHER	3
6	32-0316	DIN RAIL (ONE FOOT REQUIRED)	1
7	30-6001	NUT	3
8	28-1009	STAR WASHER	6

Id	Item #	Description	Quantity
9	27-8807	BOLT	1
10	20-1037A01	MOUNTING PLATE	1
11	30-0157	LOCKNUT	2
12	28-0003	WASHER	4
13	27-0067	BOLT	2
14	32-0254	CONDUIT ELBOW	2
15	32-0253	CONDUIT (TWO FEET REQUIRED)	1
16	20-0723A06	CONTROL PANEL	1
17	32-0255	CONDUIT FITTING	2
18	32-0253	CONDUIT (ONE FOOT REQUIRED)	1
19	32-0313	TRANSFORMER	1
20	32-0467	FUSE	2
21	32-0323	FUSE	1
	32-0814	ELEC. REDUCING WASHER 3/4" TO 1/2"	2



AM2-VE75-80M / AM2-VE75-80M (sn:0-99999999)

PUMP ASSEMBLY



Id	Item #	Description	Quantity
1	19-0257	AIR STRAINER ASS'Y	1
2	19-0258	AIR STRAINER ELEMENT	1

Id	Item #	Description	Quantity
3	N/A	AIR STRAINER COVER GASKET	1
4	N/A	UNLOADER COPPER TEE	1
5	N/A	UNLOADER PUSH COVER BOLT; M6 X 25MM	2
6	N/A	UNLOADER PUSH COVER SPRING WASHER; M6	7
7	N/A	UNLOADER PUSH COVER	1
8	8-0596	UNLOADER ASSEMBLY	1
9	26-0328	UNLOADER PUSH COVER GASKET	1
10	N/A	UNLOADER PISTON	1
11	N/A	VITON O-RING UNLOADER	1
12	N/A	UNLOADER SPRING	1
13	N/A	UNLOADER CYLINDER	1
14	N/A	UNLOADING FORK	1
15	N/A	UNLOADER BOLT; M6 X 16MM	1
16	N/A	UNLOADER GASKET	1
17	N/A	UNLOADING ELBOW	1
18	8-0597	UNLOADER ASSEMBLY	1
19	N/A	UNLOADER PUSH COVER	1
20	N/A	VITON O-RING UNLOADER	1
21	N/A	UNLOADER PISTON	1
22	N/A	UNLOADER SPRING	1
23	N/A	UNLOADER COPPER WASHER	1
24	N/A	UNLOADER BODY	1
25	N/A	CYLINDER HEAD BOLT; M10 X 85MM	6
26	N/A	CYLINDER HEAD SPRING WASHER; M10	7
27	N/A	CYLINDER HEAD	1
28	70-0528	VALVE PLATE ASSEMBLY	1
29	N/A	CYLINDER HEAD - VALVE SEAT GASKET	1
30	N/A	VALVE SEAT BOLT; M5 X 12MM	3
31	N/A	VALVE SEAT BOLT SPRING WASHER; M5	3
32	N/A	VALVE SEAT (UPPER)	1
33	N/A	VALVE SEAT GASKET	1
34	N/A	VALVE PLATE (1ST)	4
35	N/A	VALVE PLATE SPRING (1ST)	4
36	N/A	VALVE PLATE (2ND)	2
37	N/A	VALVE PLATE SPRING (2ND)	2
38	N/A	VALVE SEAT (BOTTOM)	1
39	N/A	CYLINDER-VALVE SEAT GASKET	1
40	N/A	COMPRESSION RING (1ST)	2
41	N/A	OIL CONTROL RING (1ST)	2

Id	Item #	Description	Quantity
42	N/A	PISTON (1ST)	1
43	N/A	PISTON SNAP RING	4
44	N/A	PISTON PIN (1ST)	1
45	N/A	COMPRESSION RING (2ND)	3
46	N/A	OIL CONTROL RING (2ND)	1
47	N/A	PISTON PIN (2ND)	1
48	N/A	PISTON (2ND)	1
49	N/A	CYLINDER	1
50	N/A	CYLINDER BOLT; M10 X 30MM	11
51	N/A	CYLINDER COPPER WASHER; M10	13
52	26-0329	CYLINDER CRANKCASE GASKET	1
53	N/A	CONNECTING ROD ASSEMBLY (1ST)	1
54	N/A	CONNECTING ROD - PISTON PIN BUSHING (1ST)	1
55	N/A	CONNECTING ROD CRANK PIN METAL (1ST)	4
56	N/A	CONNECTING ROD ASSEMBLY (2ND)	1
57	N/A	CONNECTING ROD - PISTON PIN NEEDLE BEARING (2ND)	1
58	N/A	REAR BEARING COVER BOLT; M8 X 30MM	3
59	N/A	REAR BEARING COVER	1
60	26-0332	REAR BEARING COVER GASKET	1
61	N/A	FRONT & REAR BEARING	2
62	N/A	PLUG-IN OIL LEVEL GLASS	1
63	N/A	OIL LEVEL GLASS GASKET	1
64	N/A	CRANKCASE OIL PLUG	1
65	N/A	CRANKCASE	1
66	N/A	OIL FILL CAP	1
67	N/A	O-RING (OIL FILL CAP)	1
68	N/A	CRANKSHAFT	1
69	N/A	V-PULLY PIN	1
70	26-0330	FRONT BEARING COVER GASKET	1
71	N/A	FRONT BEARING COVER	1
72	46-1345	BREATHER ASSEMBLY	1
73	N/A	FRONT OIL SEAL	1
74	N/A	COMPRESSOR PULLEY	1
75	N/A	COMPRESSOR PULLEY THRUST WASHER	1
76	N/A	INTER-COOLER BOLT (UPPER)	3
77	N/A	INTER-COOLER BODY GASKET (UPPER)	1
78	N/A	INTER-COOLER BODY	1
79	26-0331	INTER-COOLER BODY GASKET (BOTTOM)	1
80	N/A	INTER-COOLER BOTTOM COVER	1

Id	Item #	Description	Quantity
81	N/A	INTER-COOLER BOLT (BOTTOM)	1
82	70-0529	OIL CAP KIT	1
KIT	70-0530	GASKET KIT (INC. 9, 16, 29, 33, 39, 52, 60, 70, 79)	1