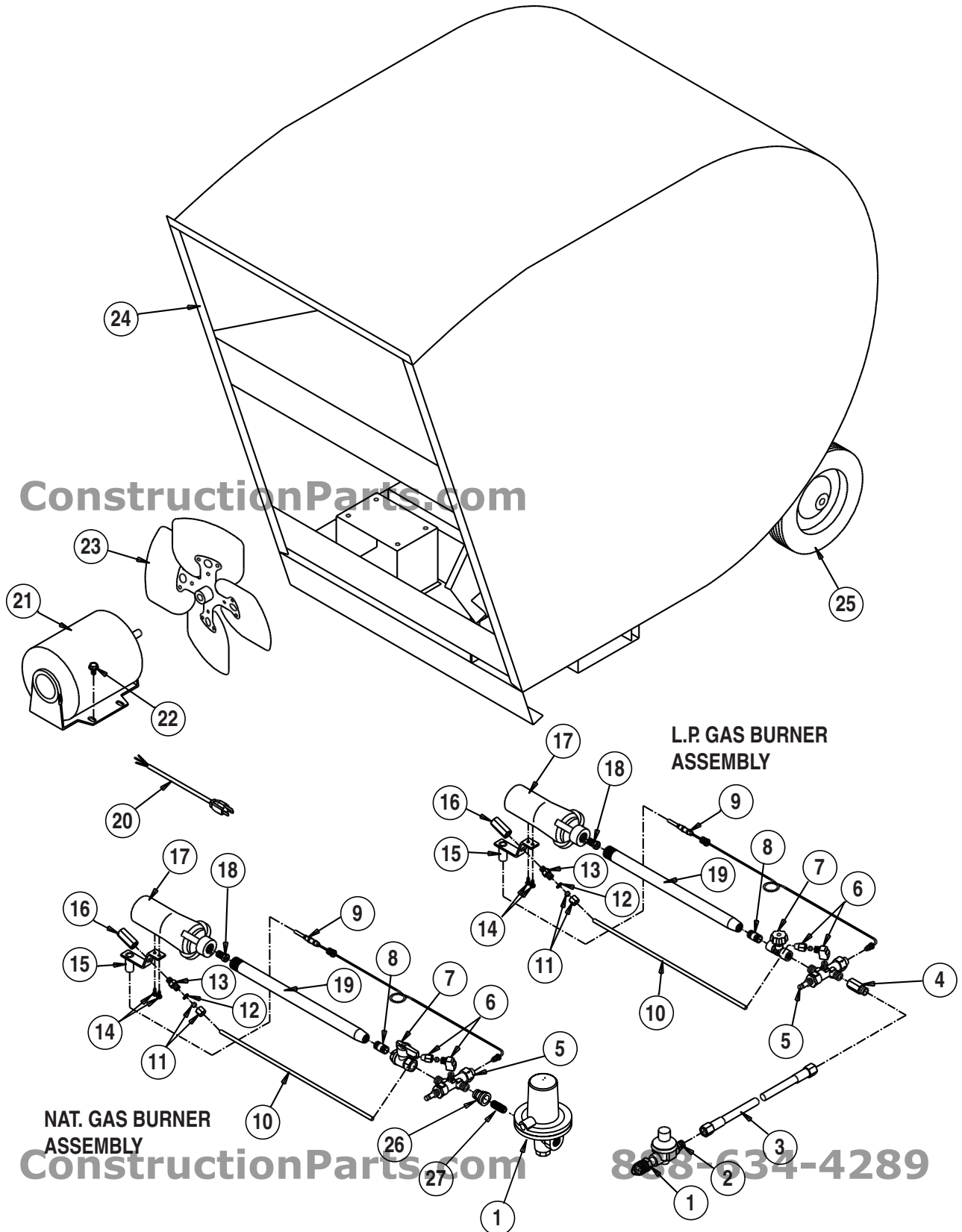


Parts Identification

Big Bertha 365N-400
Models 338G/334H

888-634-4289

PARTS SCHEMATIC



PARTS LIST

Item	Description	Model	
		334	336
1	Regulator L.P. Gas	21788	--
	Nat. Gas	--	01104
2	Adaptor, Hose	01098	--
3	Hose 1/4 in. x 10 ft.	22129	--
	1/2 in. x 10 ft.	--	20704*
4	Adaptor, Hose	07970	--
5	Valve, Pilot Safety	-----07966-----	-----
6	Ell, w/ Nut & Sleeve	-----07968-----	-----
7	Valve, Manual	20229	09698
8	Nipple	-----01142-----	-----
9	Thermocouple 30 in.	01020	--
	36 in.	--	03066
10	Pilot Tube w/ Nuts & Sleeves	-----07075-----	-----
11	Nut & Sleeve	-----01168-----	-----
12	Screen	-----01722-----	-----
13	Orifice, Pilot	01230	01520
14	Screws	-----01213-----	-----
15	Bracket, Pilot	-----03202-----	-----
16	Head, Pilot	-----01079-----	-----
17	Burner	-----01014-----	-----
18	Orifice, Burner	03416	01081
19	Handle	-----01018-----	-----
20	Cord, Power	-----04645-----	-----
21	Motor, 1/4 H.P.	-----07181-----	-----
22	Bolt	-----02747-----	-----
23	Fan	-----01342-----	-----
24	Case Assembly w/ Labels	22513	22514
25	Wheel	-----01099-----	-----
26	Reducer, Bell	--	23646
27	Nipple	--	01305

* Optional Accessory