

TABLE OF CONTENTS

PRX Ride-On Power Float

Table of Contents.....	2
Explanation of Code in Remarks Column.....	4
Suggested Spare Parts	5

Component Drawings

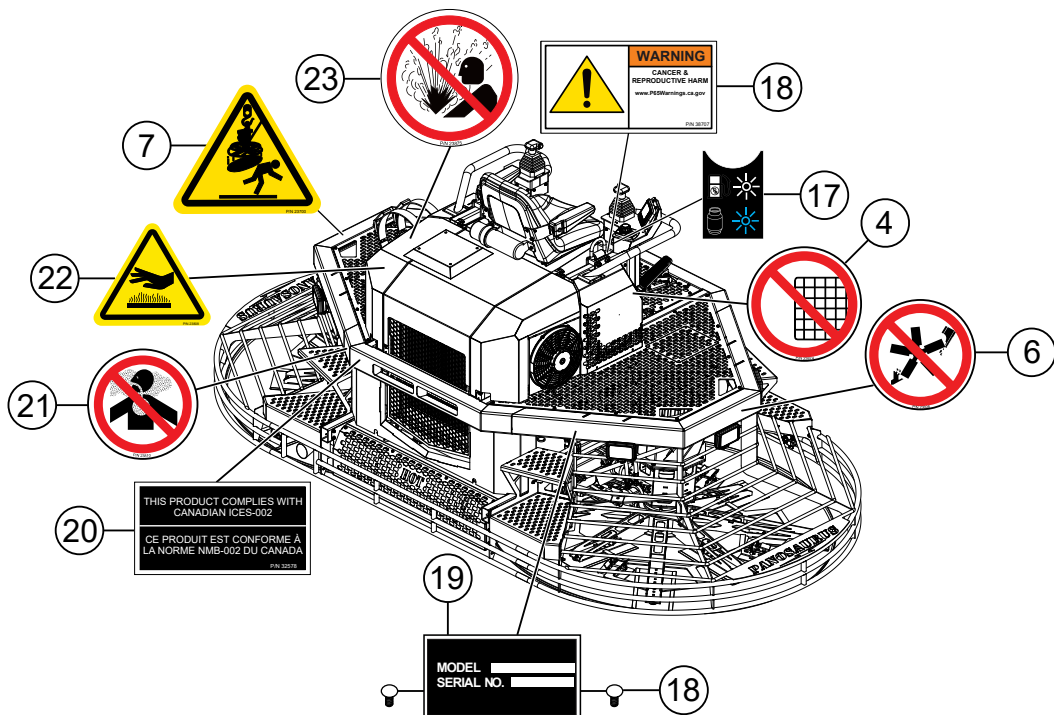
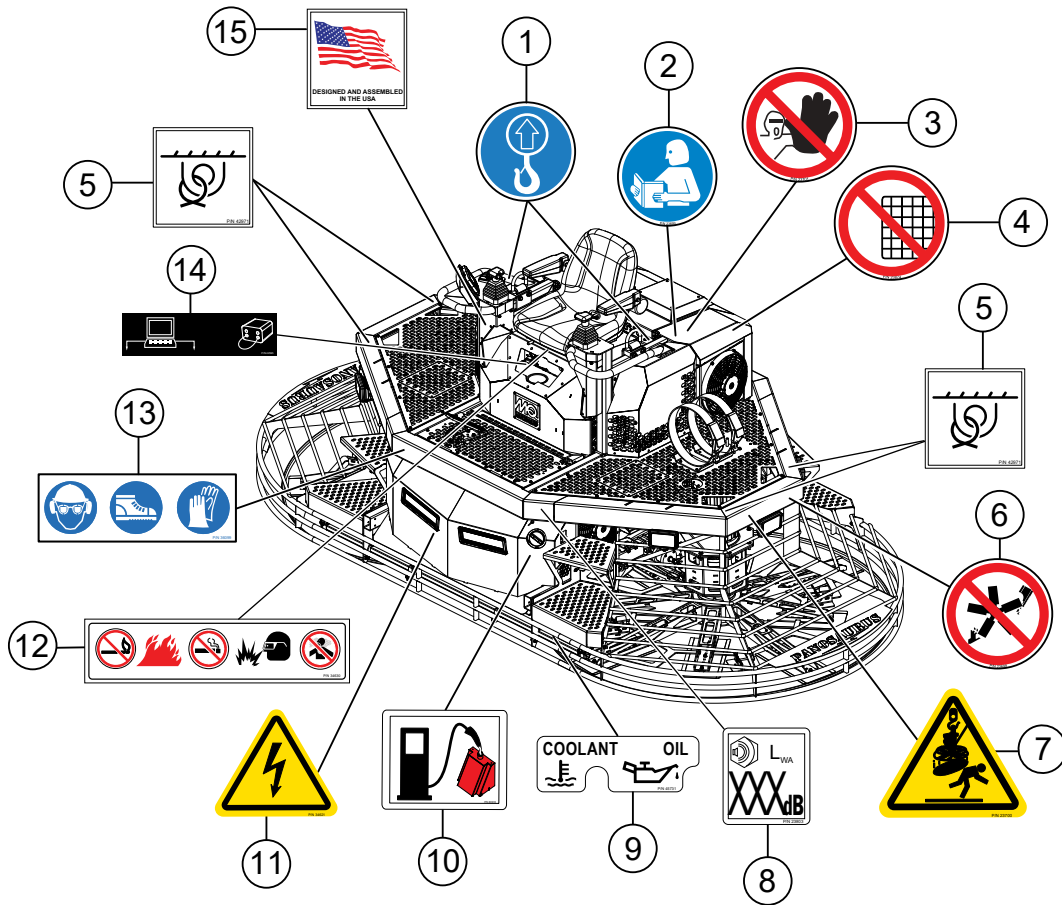
Nameplate and Decals Assembly.....	6-7
Hood and Cowlings Assembly.....	8-9
Frame and Platform Assembly	10-11
Steps Assembly.....	12-13
Crossmember and Lift Rings Assembly	14-15
Left Frame Console Assembly.....	16-17
Right Frame Console Assembly	18-19
Seat Frame Assembly	20-21
Document Holder Assembly	22-23
Frame Accessories Assembly	24-25
Spray Assembly.....	26-27
Left-Hand Steering Valve Assembly	28-29
Right-Hand Steering Valve Assembly.....	30-31
Steering Struts Assembly	32-33
Hydraulic Steering Cylinders Assembly.....	34-35
Hydraulic Cooler Assembly	36-37
Hydraulic Filter Assembly	38-39
Hydraulic Hose Kit Assembly (Complete).....	40-41
Hyd. Hose Assy. (Hyd. Steering Cylinders).....	42-43
Hyd. Hose Assy. (Tank/Pump/Filter/Cooler/Motors)...	44-45
Hydraulic Tubing Assembly.....	46-47
Left-Side Drive Assembly	48-49
Right-Side Drive Assembly.....	50-51
Spiders and Pans Assembly	52-53

Electric Drive Cooling Hose Kit Assy. (Complete)...	54-55
Elect. Drive Cooling Hose Assy. (Motors)	56-57
Elect. Drive Cooling Hose Assy. (Generator/Pump)...	58-59
Elect. Drive Cooling Hose Clamps Assembly ...	60-61
Coolant Tank and Heat Exchangers Assembly...	62-63
Coolant Pump and Manifolds Assembly.....	64-65
Fluid Drain Valves Assembly	66-67
Harness Assembly (Main)	68-69
Harness Assy. (Left)	70-71
Harness Assy. (Right)	72-73
Harness Assy. (Console)	74-75
Harness Assy. (Energy Storage Bank)	76-77
Harness Assy. (Seat Switch and Fuel Tank)....	78-79
Battery Assembly.....	80-81
Lights Assembly	82-83
Electrical Panel Assembly	84-85
Energy Storage Bank Assembly.....	86-87
High Voltage Power Cables Assembly.....	88-89
High Voltage Cable Clamps Assembly	90-91
Generator Assembly.....	92-93
Engine Mounting Assembly	94-95
Radiator Assembly	96-97
Air Intake Assembly.....	98-99
Exhaust Assembly	100-101
Fuel Tank Assembly.....	102-103
Fuel Pump Assembly.....	104-105
Filter Kit Assembly.....	106-107
Engine Service Parts.....	108-109

NOTICE

Specifications and part numbers are subject to change without notice.

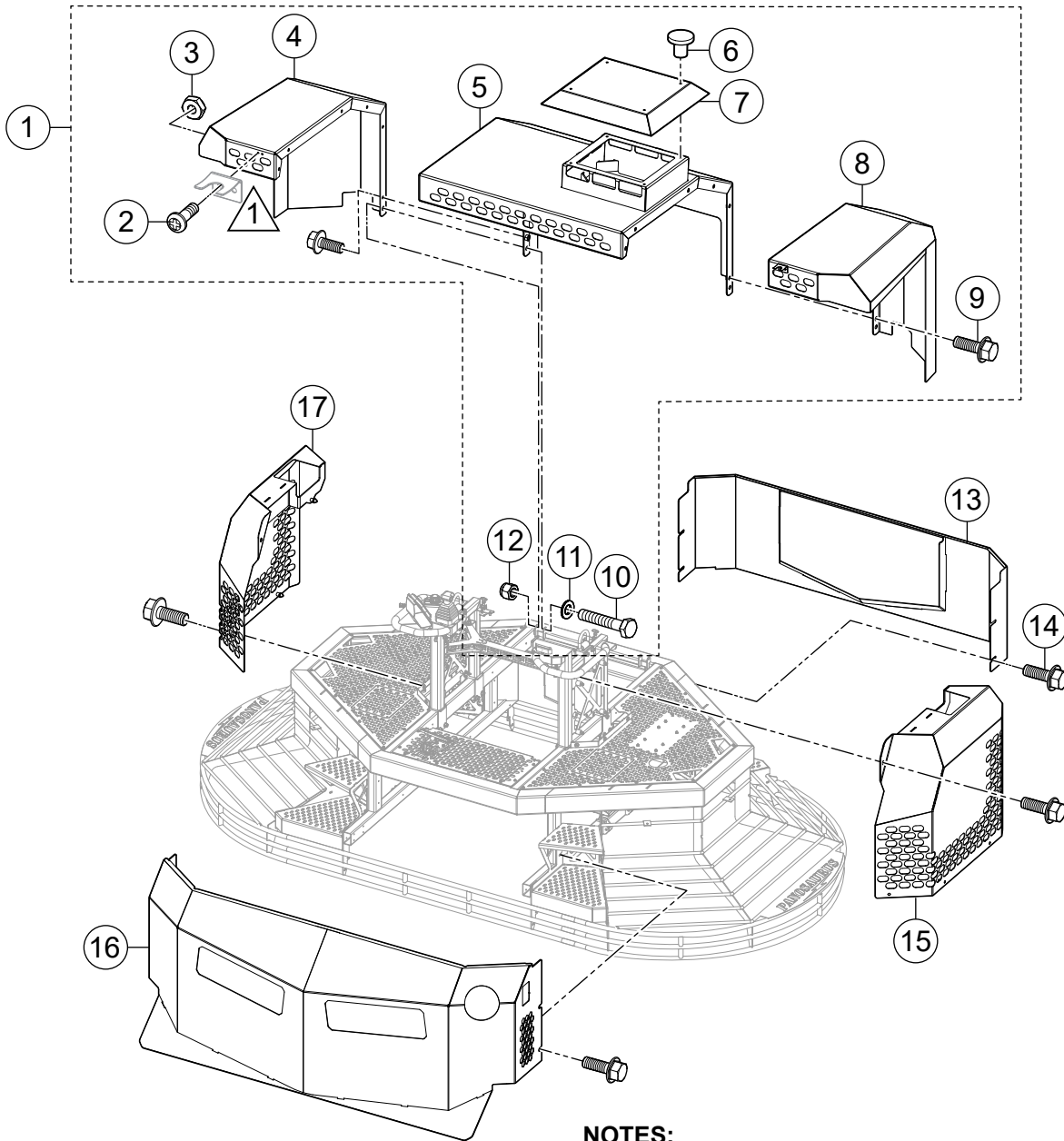
NAMEPLATE AND DECALS ASSY.



NAMEPLATE AND DECALS ASSY.

<u>NO.</u>	<u>PART NO.</u>	<u>PART NAME</u>	<u>QTY.</u>	<u>REMARKS</u>
1	23805	DECAL ISO, LIFTING POINT, 1.00" DIA.	2	
2	23699	DECAL ISO, READ MANUAL	1	
3	23701	DECAL ISO, ASK FOR TRAINING	1	
4	23874	DECAL ISO, DO NOT REMOVE GUARDS, HAZARD 2"	2	
5	42971	DECAL ISO, TIE-DOWN	4	
6	23698	DECAL ISO, ROTATING BLADE HAZARD	2	
7	23700	DECAL ISO, LIFTING/CRUSH, 2.4" X 2.0"	2	
8	23803-127	DECAL, GUARANTEED SOUND POWER LEVEL	1	
9	45731	DECAL, COOLANT AND OIL DRAINS	1	
10	23812	DECAL ISO, FUEL GASOLINE 3.0" X 2.45"	1	
11	34621	DECAL, ISO, HIGH VOLTAGE HAZARD, 2.4" X 2.0"	1	
12	34630	DECAL ISO, FIRE, EXPLOSION, SMOKING HAZARD	1	
13	36099	DECAL ISO, PROTECTIVE CLOTHING, 3.50" X 1.13"	2	
14	42595	DECAL, SERVICE TOOL, JUMPER	1	
15	30538	DECAL, FLAG DESIGNED ASM IN USA	1	
16	38707	DECAL, CANCER AND REPRODUCTIVE HARM	1	
17	43739	DECAL, PUSH BUTTON FUEL SELECTOR	1	
18	4014	SCREW, 2-3/16 P-K TYPE U-DRIVE	2	
19	13818	SN TAG, CE ROT	1	
20	32578	DECAL, CANADIAN COMPLIANCE	1	
21	23810	DECAL ISO, INHALATION HAZARD, 2"	1	
22	23808	DECAL ISO, HOT SURFACE HAZARD	1	
23	23875	DECAL ISO, HOT COOLANT, 2.00" DIA.	1	

HOOD AND COWLINGS ASSY.



NOTES:

- 1 FOR LATCH HOOK, SEE P/N 20673 ON LEFT FRAME CONSOLE ASSY. OR RIGHT FRAME CONSOLE ASSY.

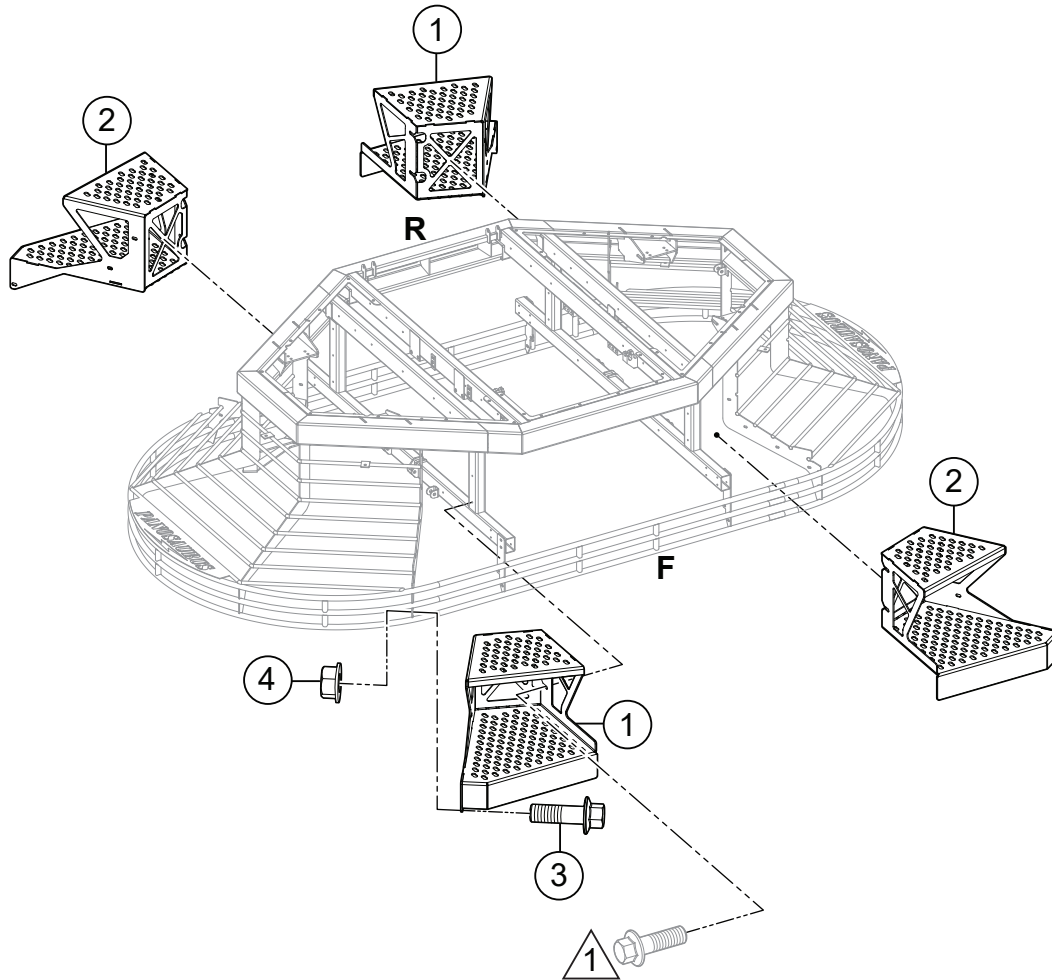
HOOD AND COWLINGS ASSY.

<u>NO.</u>	<u>PART NO.</u>	<u>PART NAME</u>	<u>QTY.</u>	<u>REMARKS</u>
1	45133	HOOD ASSY.....	1.....	INCLUDES ITEMS W/@
2@	1307	SCREW, PHP 8-32 X 1/2"	4	
3@	13287	NUT, NYLOC 8-32	4	
4@	43899	HOOD, RIGHT	1	
5@	43896	HOOD, CENTER	1	
6@	19847	RIVET, POP, ALUM., 3/16" X 1/8-1/4" GRIP	4	
7@	45592	RAIN CAP, TOP - INTAKE	1	
8@	43898	HOOD, LEFT	1	
9@	42542	SCREW, HHFS M6-1.0 X 16	12	
10@	42888	SCREW, HHC M10-1.50 X 75MM GR10.9	2	
11@	940358	WASHER, FLAT, 10MM ID X 20MM OD, ZP	2	
12@	42889	NUT, HEX NYLOC, M10-1.50, GR10.9	2	
13	45209	COWLING, REAR	1	
14	42325	SCREW, HHC, M6-1.0 X 20, CAPTIVE WASHER	15	
15	43880	COVER, LEFT	1	
16	45122	COWLING, FRONT	1	
17	43881	COVER, RIGHT	1	

FRAME AND PLATFORM ASSY.

<u>NO.</u>	<u>PART NO.</u>	<u>PART NAME</u>	<u>QTY.</u>	<u>REMARKS</u>
1	45198	DECK WELDMENT, RIGHT	1	
2	42325	SCREW, HHC, M6-1.0 X 20, CAPTIVE WASHER	36	
3	30427	BRACKET, PROPANE, LOW PROFILE	1	
4	43900	DECK ACCESS PANEL	2	
5	42496	NUT, BLIND, HEX, M6-1.0 X 0.7 - 4.2 GRIP	8	
6	38191	GROMMET, RUBBER, .375 ID X .875 OD	14	
7	45199	DECK WELDMENT, LEFT	1	
8	42344	NUT, NYLOC, M8-1.25, CLASS 8.8	3	
9	45001	FRAME, MAIN	1	
10	43769	PANEL, CENTER DECK	1	
11	43144	PEDAL, FOOT	1	
12	15226	SCREW, HFS, M8-1.25 X 25	3	
13	21597	BUMPER, STEM 1.0"D X 0.5S X 0.31	4	

STEPS ASSY.



NOTES:

△ 1 SEE HOOD AND COWLINGS ASSY.

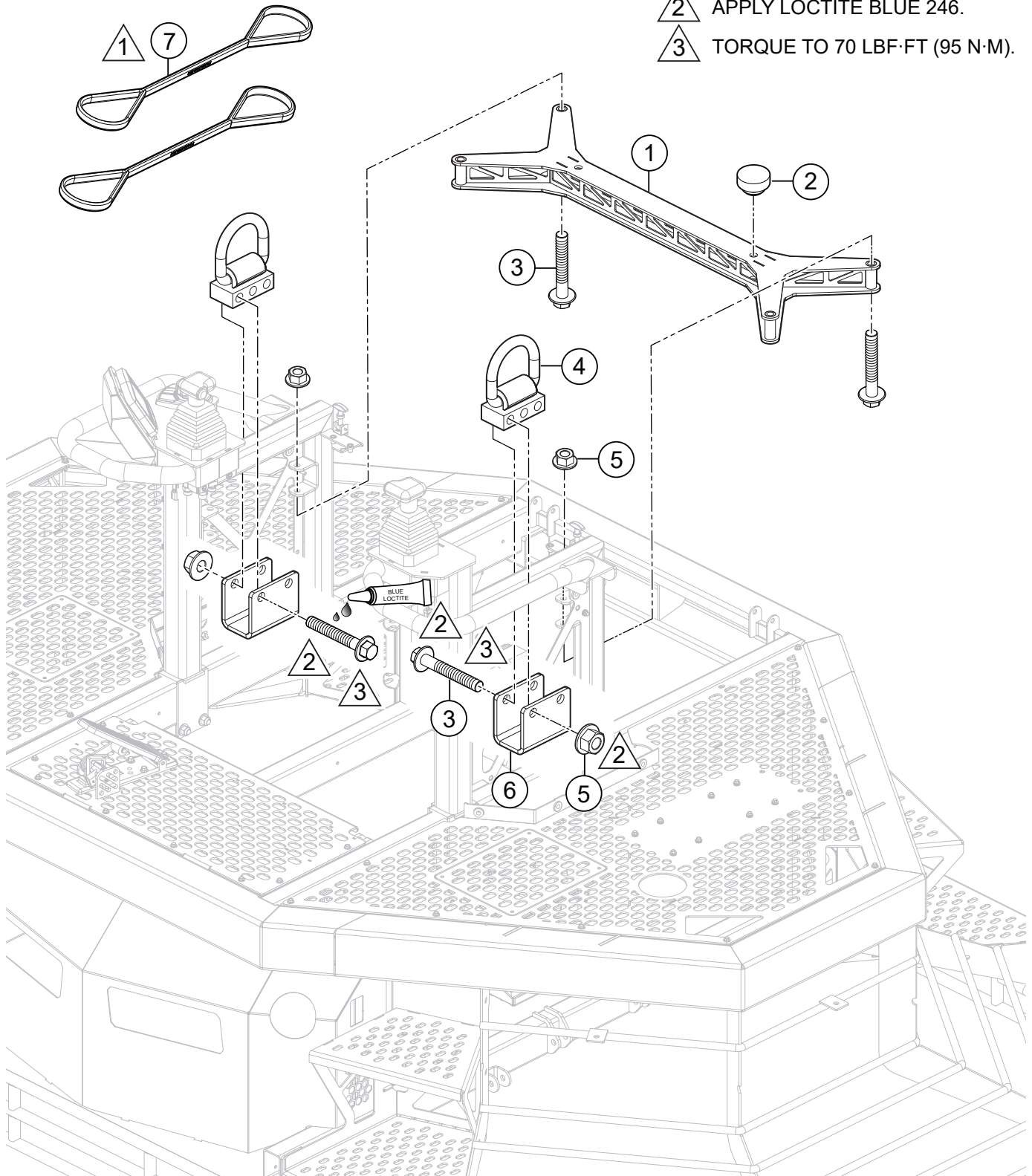
STEPS ASSY.

<u>NO.</u>	<u>PART NO.</u>	<u>PART NAME</u>	<u>QTY.</u>	<u>REMARKS</u>
1	45111	STEP, RIGHT FRONT/LEFT REAR	2	
2	45360	STEP, LEFT FRONT/RIGHT REAR	2	
3	15226	SCREW, HFS, M8 - 1.25 X 25	12	
4	15227	NUT, HEX FLANGED M8-1.25 GR 10	12	

CROSSMEMBER AND LIFT RINGS ASSY.

NOTES:

- 1 ATTACH LIFTING SLING.
- 2 APPLY LOCTITE BLUE 246.
- 3 TORQUE TO 70 LBF-FT (95 N·M).



CROSSMEMBER AND LIFT RINGS ASSY.

<u>NO.</u>	<u>PART NO.</u>	<u>PART NAME</u>	<u>QTY.</u>	<u>REMARKS</u>
1	43855	CROSSMEMBER, LIFT FRAME	1	
2	21597	BUMPER, STEM 1.0" D X 0.5S X 0.31	2	
3	9176	SCREW, HHF M12-1.75 X 80MM GR10.9 PATCH	8	
4	45169	LIFTING D-RING	2	
5	42451	NUT, HEX, SERRATED-FLANGE, M12 -1.75	8	
6	45168	CHANNEL, LIFTING	2	
7	43916	STRAP, LIFTING 5300 LB. CAP	2	

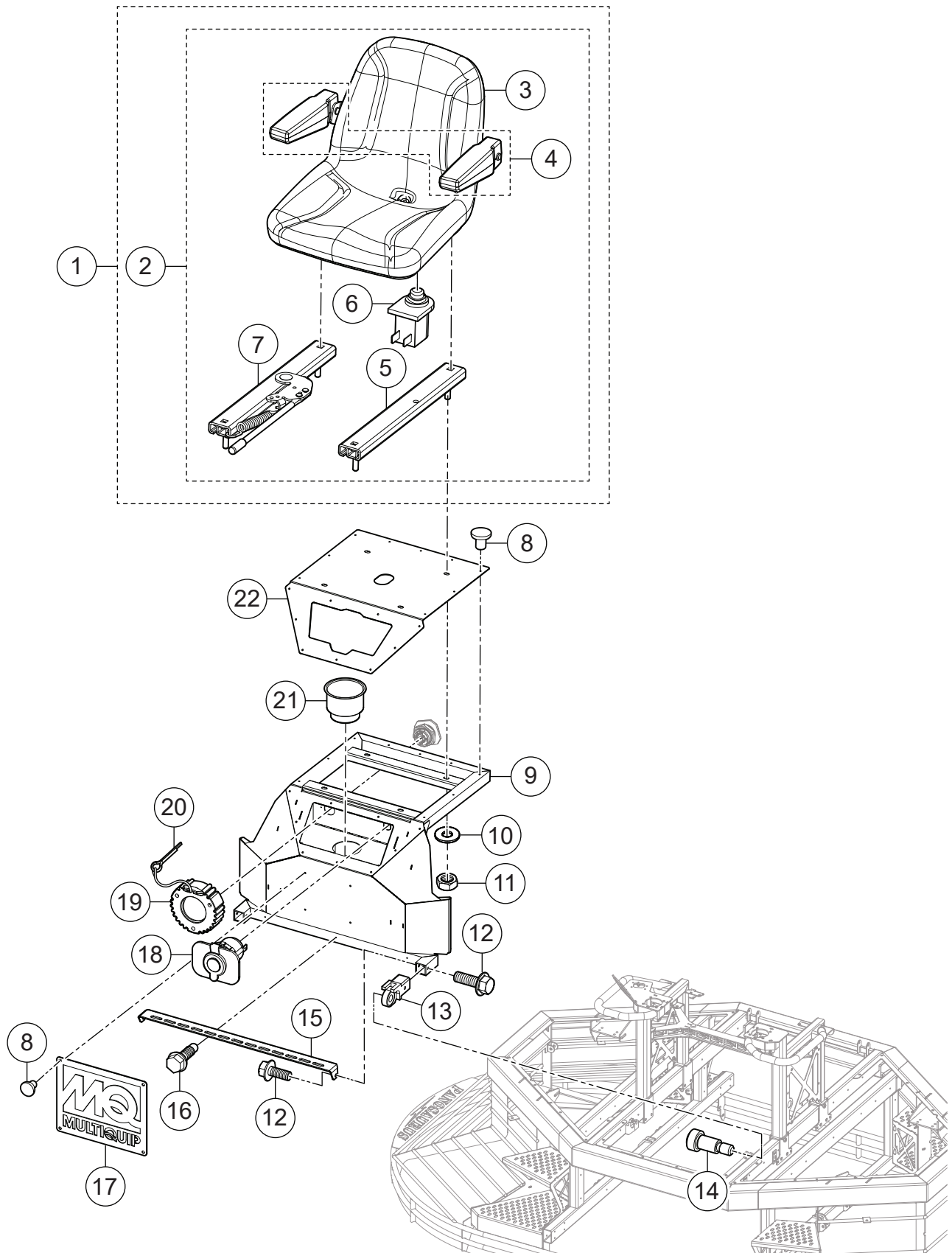
LEFT FRAME CONSOLE ASSY.

<u>NO.</u>	<u>PART NO.</u>	<u>PART NAME</u>	<u>QTY.</u>	<u>REMARKS</u>
1	42325	SCREW, HHC, M6-1.0 X 20, CAPTIVE WASHER	5	
2	1307	SCREW, PHP 8-32 X 1/2"	2	
3	20673	LATCH, RUBBER HOOD	1	
4	21597	BUMPER, STEM 1.0"D X 0.5S X 0.31	1	
5	13287	NUT, NYLOC 8-32	2	
6	38191	GROMMET, RUBBER, .375 ID X .875 OD	1	
7	45367	INVERTER, NODE 3 LEFT SIZE 9	1	
8	12148	CAP, DUST DIAG. PD6-285	1	
9	12147	FITTING, QD 6MO DIAGN PD361	1	
10	45639	FITTING, TEE 6FORB-6FORB-6MORB	1	
11	43971	ADAPTER, SIZE 9 COOLANT FILL	1	
12	43978	FITTING, STR -8 MORFS X - 6 MORB	1	
13	42342	SCREW, HHFS, M8-1.25 XX 16 GR 8.8	4	
14	43928	ISOLATOR, 1" DIAM. X 1" M8 STUD AND INSE	4	
15	32976	SCREW, HFS M10-1.5 X 25 CLASS 10.9	2	
16	9176	SCREW, HHF M12-1.75 X 80MM GR10.9 PATCH	4	
17	42451	NUT, HEX, SERRATED-FLANGE, M12-1.75	4	
18	45321	FRAME, LIFT -L	1	
19	42496	NUT, BLIND, HEX, M6-1.0 X 0.7 - 4.2 GRIP	10	
20	43655	NUT, BLIND, HEX, M6-1.0 X 4.2 - 6.6 GRIP	4	
21	43635	COVER, LEFT JOYSTICK HOSE	1	
22	19847	RIVET, POP, ALUM., 3/16" X 1/8-1/4 GRIP	6	
23	43637	PANEL, LEFT JOYSTICK FILL	1	
24	32916	NUT, U-STYLE, M6-1 X 0.8 - 4MM, BK	4	
25	43925	TOOL HOLDER, LEFT	1	

RIGHT FRAME CONSOLE ASSY.

<u>NO.</u>	<u>PART NO.</u>	<u>PART NAME</u>	<u>QTY.</u>	<u>REMARKS</u>
1	20673	LATCH, RUBBER HOOD	1	
2	1307	SCREW, PHP 8-32 X 1/2"	2	
3	45275	SWITCH, MULTIFUNCTION	1	
4	43655	NUT, BLIND, HEX, M6-1.0 X 4.2 - 6.6 GRIP	4	
5	42352	NUT, HEX, SERRATED-FLANGE, M6-1.0	3	
6	45320	FRAME, LIFT -R	1	
7	32976	SCREW, HFS M10-1.5 X 25 CLASS 10.9	2	
8	43327	DISPLAY, IQAN MD3	1	
9	21597	BUMPER, STEM 1.0"D X 0.5S X 0.31	1	
10	42325	SCREW, HHC, M6-1.0 X 20, CAPTIVE WASHER	9	
11	43926	TOOL HOLDER, RIGHT	1	
12	32916	NUT, U-STYLE, M6-1 X 0.8 - 4MM, BK	1	
13	43638	PANEL, RIGHT JOYSTICK FILL	1	
14	43636	COVER, RIGHT JOYSTICK HOSE	1	
15	19847	RIVET, POP, ALUM., 3/16" X 1/8-1/4 GRIP	6	
16	42451	NUT, HEX, SERRATED-FLANGE, M12-1.75	4	
17	9176	SCREW, HHF M12-1.75 X 80MM GR10.9 PATCH	4	
18	43756	SWITCH ASSY., PUSHBUTTON	1	
19	38191	GROMMET, RUBBER, .375 ID X .875 OD	3	
20	23959-01	KEY, IGNITION	1	
21	23959	SWITCH, IGN, IP67	1	
22	43608	COVER, OPERATOR CONTROLS	1	
23	42496	NUT, BLIND, HEX, M6-1.0 X 0.7 - 4.2 GRIP	2	
24	43743	SCREW, PT-WN1411 K40 X 16MM	4	
25	43744	CONNECTOR CAP KIT, DTM06-12S	1	
26	43542	CONTROLLER, SEVCON SIZE9	1	
27	12148	CAP, DUST DIAG. PD6-285	1	
28	12147	FITTING, QD 6MO DIAGN. PD361	1	
29	45639	FITTING, TEE 6FORB-6FORB-6MORB	1	
30	43978	FITTING, STR -8 MORFS X - 6 MORB	1	
31	43971	ADAPTER, SIZE 9 COOLANT FILL	1	
32	42342	SCREW, HHFS, M8-1.25 X 16 GR 8.8	4	
33	43928	ISOLATOR, 1" DIAM. X 1" M8 STUD AND INSE	4	
34	13287	NUT, NYLOC 8-32	2	

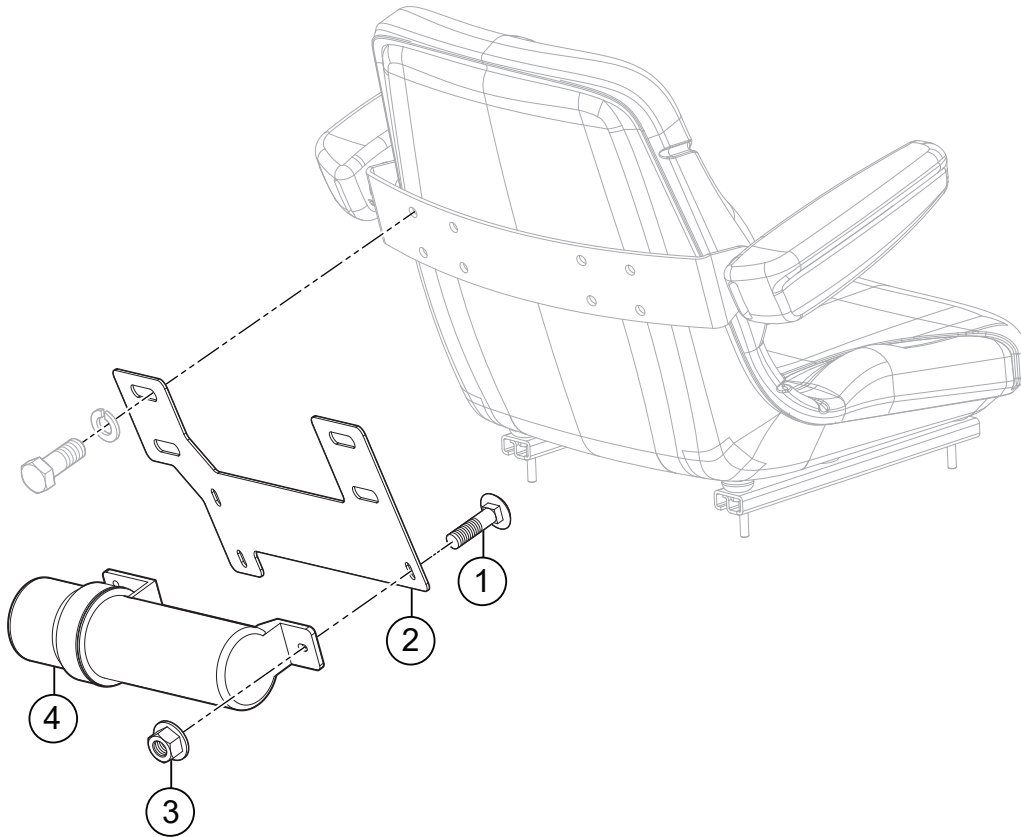
SEAT FRAME ASSY.



SEAT FRAME ASSY.

<u>NO.</u>	<u>PART NO.</u>	<u>PART NAME</u>	<u>QTY.</u>	<u>REMARKS</u>
1	32960-SK	KIT, ADJUSTABLE SEAT, SEARS W/ARMS	1.....	INCLUDES ITEMS W/#
2#	32960	SEAT, BASIC W/ RAILS AND KILL SWITCH.....	1.....	INCLUDES ITEMS W/@
3@#	32963	SEAT, BASIC	1	
4#	34792	ARMREST, SEAT	1	
5@#	32964	SEAT ADJUSTER, LH	1	
6@#	32962	KILL SWITCH, DELTA	1	
7@#	32965	SEAT ADJUSTER, RH	1	
8	19847	RIVET, POP, ALUM., 3/16" X 1/8-1/4" GRIP	22	
9	43474	FRAME, TILT CAB	1	
10	933241	WASHER, FLAT SAE 5/16" GRD 9 YZ	4	
11	5283	NUT, NYLOC 5/16-18	4	
12	42342	SCREW, HFS, M8-1.25 X 16 GR 8.8	4	
13	43484	PIVOT, SEAT FRAME	2	
14	9162	SCREW, SHSLDR M16 X M25 M12-1.75 PATCH	2	
15	43686	HEAL REST, FOOT PLATFORM	1	
16	9509	SCREW, TEK 12 X 3/4" SELF TAP	3	
17	43758	BADGE, MQ RIVET	1	
18	42780	ACCESSORY PORT, USB POWER	1	
19	42442	CON. CAP, DEUTSCH, HD10, 9 PIN W/ LANYARD	1	
20	5117	PIN, COTTER 1/16" X 1/2"	1	
21	43643	CUP HOLDER, STAINLESS STEEL	1	
22	43486	PANEL, OPERATOR CAB TOP	1	

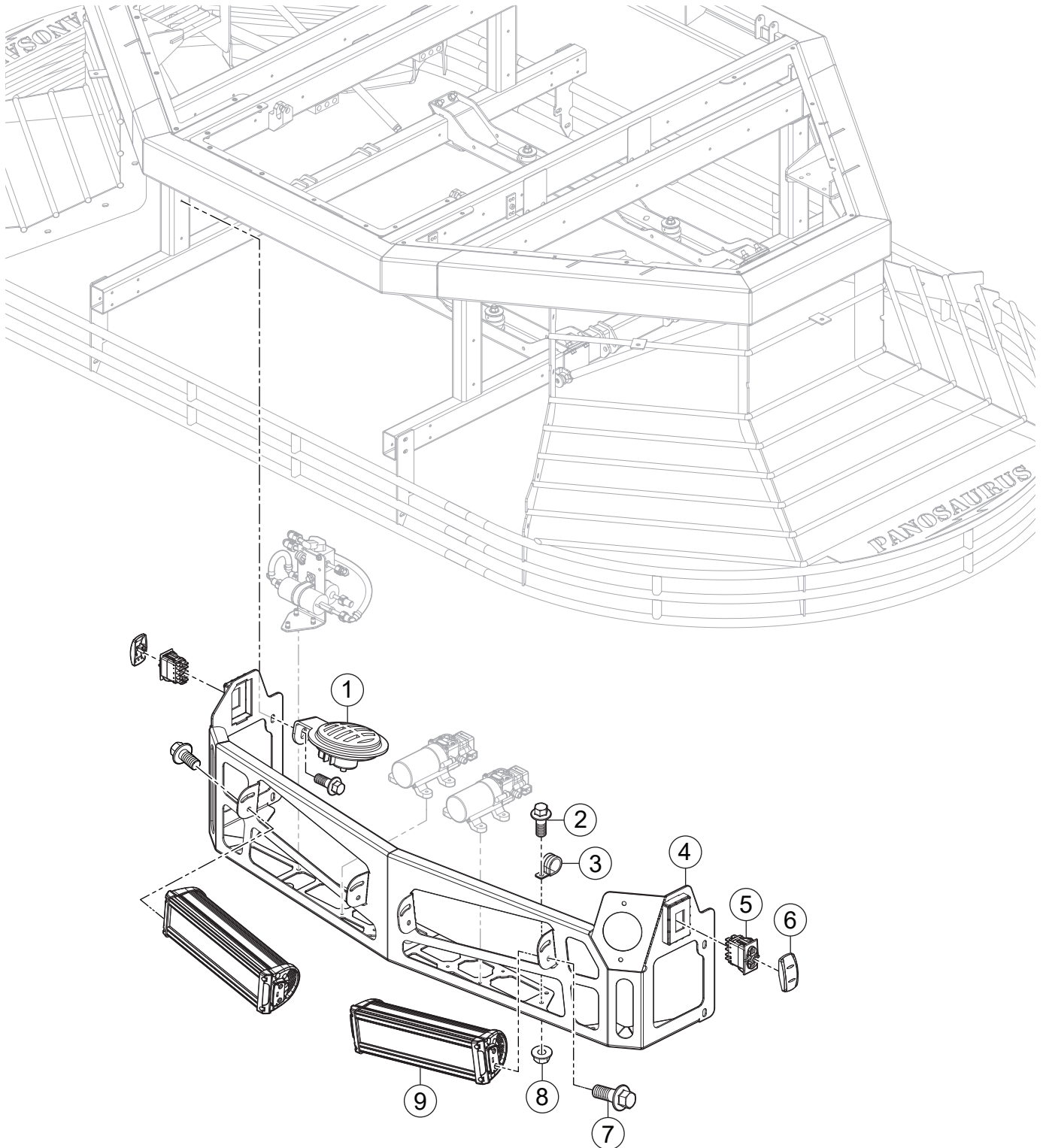
DOCUMENT HOLDER ASSY.



DOCUMENT HOLDER ASSY.

<u>NO.</u>	<u>PART NO.</u>	<u>PART NAME</u>	<u>QTY.</u>	<u>REMARKS</u>
1	29712	BOLT, CARRIAGE 1/4-20 X 3/4"	3	
2	43979	BRACKET, MOUNTING, MANUAL HOLDER	1	
3	49070	NUT, HFS, 1/4-20	3	
4	23297	MANUAL HOLDER, PICTOGRAPH SAE J232	1	

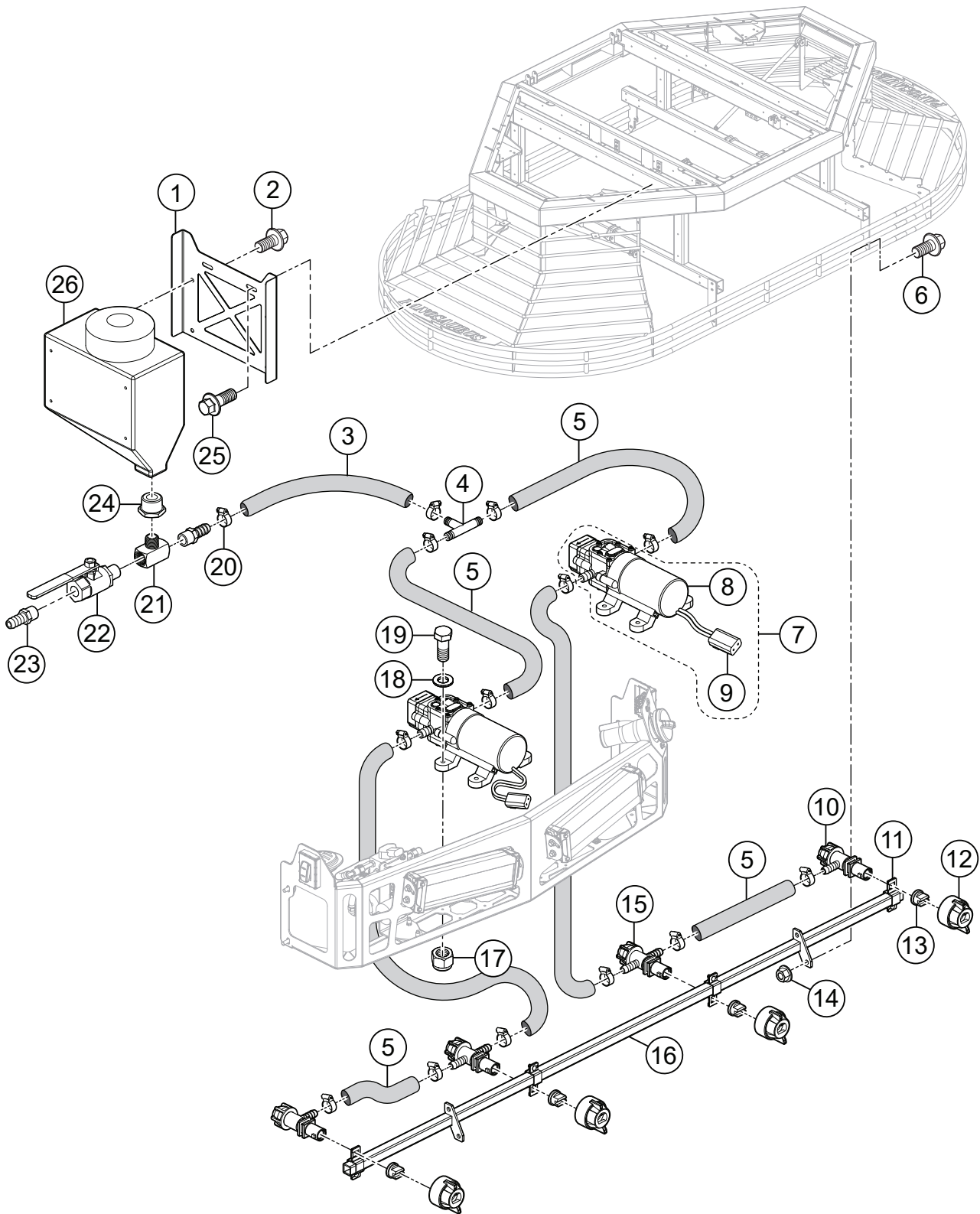
FRAME ACCESSORIES ASSY.



FRAME ACCESSORIES ASSY.

<u>NO.</u>	<u>PART NO.</u>	<u>PART NAME</u>	<u>QTY.</u>	<u>REMARKS</u>
1	45271	HORN, PRX	1	
2	42542	SCREW, HFS M6-1.0 X 16	1	
3	21574	CLAMP, LOOP CUSHIONED #16 0.25 HOLE	1	
4	45304	FRAME, FRONT ACCESSORY	1	
5	42178-004	SWITCH BASE, CARLING CONTURA SERIES	2	
6	42179-002	ACTUATOR, CARLING CONTURA V-SERIES	2	
7	42343	SCREW, HFS, ZP, M8-1.25 X 20, CLASS 8.8	12	
8	42352	NUT, HEX, SERRATED-FLANGE, M6-1.0	1	
9	43840	LIGHT, 12" 30W LED BAR	2	

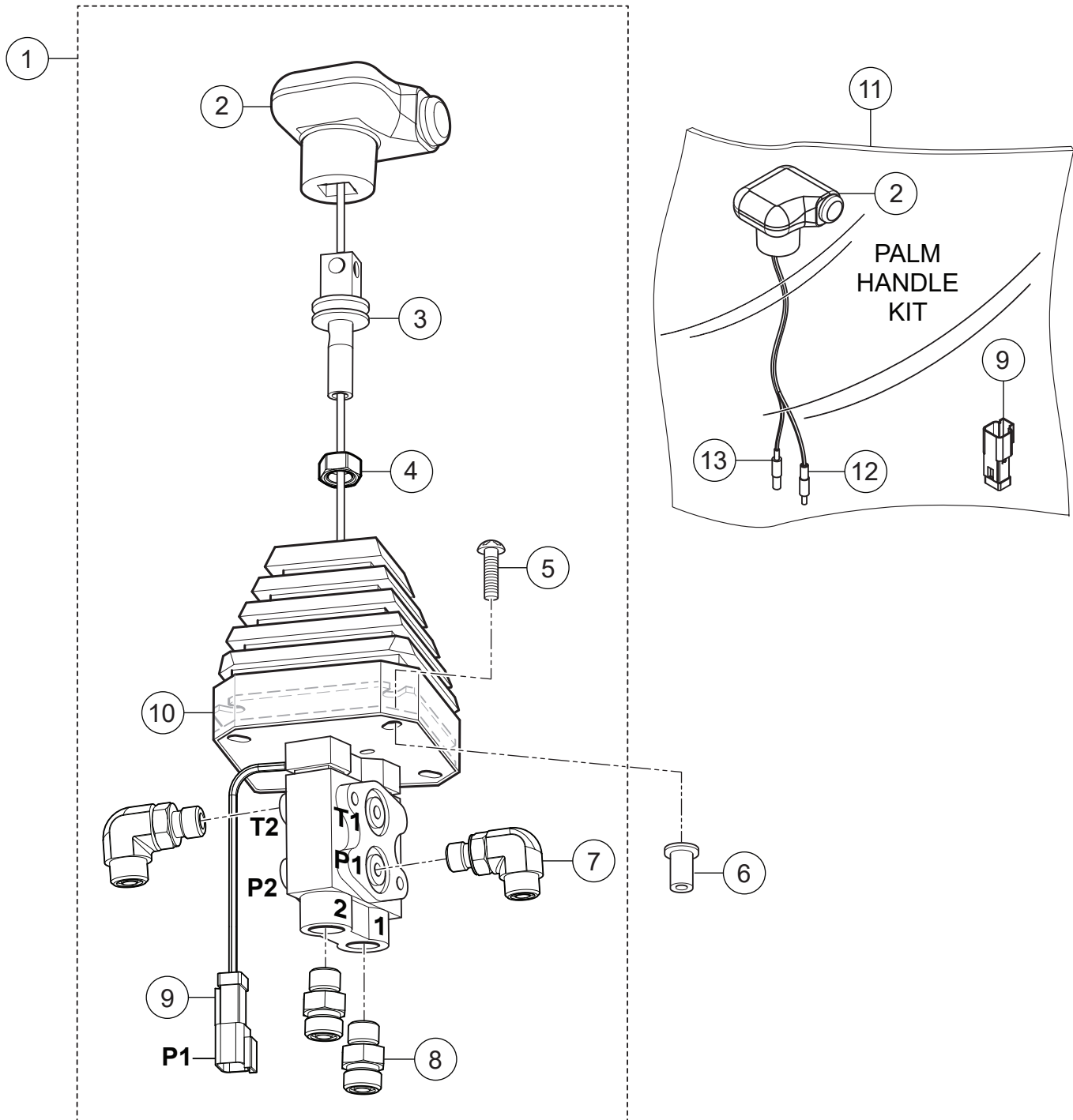
SPRAY ASSY.



SPRAY ASSY.

<u>NO.</u>	<u>PART NO.</u>	<u>PART NAME</u>	<u>QTY.</u>	<u>REMARKS</u>
1	45175	MOUNT, RETARDANT TANK	1	
2	36720	SCREW, HHFS 5/16-18 X 3/4" GR5	4	
3	60067	HOSE, 0.25" ID X 0.375" OD, BRAIDED PVC (0.75 FT).....	1	1 PC = 1 FT
4	23307	TEE, .375 PLASTIC BARB	1	
5	60021	HOSE, 3/8" ID X 5/8" OD BRAIDED PVC (10.3 FT)	11	1 PC = 1 FT
6	32976	SCREW, HFS M10-1.5 X 25 CLASS 10.9	4	
7	30547	PUMP ASSY.....	2	INCLUDES ITEMS W/@
8@	30540	PUMP, RETARDANT SPRAY	2	
9@	37403	CONNECTOR KIT, FEM. DEUTSCH DT06-2S	2	
10	45472	NOZZLE, TEEJET BODY, SINGLE	2	
11	45646	CLAMP, TEEJET 1" SQUARE QUICK	4	
12	45474	SPRAY TIP, CAP W/ GASKET	4	
13	49247	SPRAY, FLAT TIP BROWN	4	
14	42353	NUT, HEX, SERRATED-FLANGE, M10-1.5	4	
15	45473	NOZZLE, TEEJET BODY, DOUBLE	2	
16	45104	BAR, SPRAY	1	
17	15518-004	NUT, NYLOC, M4-0.7	8	
18	28922-058	WASHER, M5	8	
19	42894	SCREW, HHC M4-0.7 X 20MM	8	
20	15538	CLAMP, HOSE WORM #6	14	
21	367727	FITTING, TEE 3/8FP - 3/8MP - 3/8FP	1	
22	37311	BALL VALVE, BRASS 3/8 MNPT X FNPT	1	
23	370457	FITTING, STR 6BARB - 3/8MP	2	
24	49333	FITTING, BRASS 3/4 MNPT - 3/8 FNPT	1	
25	42343	SCREW, HFS, ZP, M8-1.25 X 20, CLASS 8.8	2	
26	45200	TANK, 3 GAL. LARGE MOUTH RETARDANT	1	

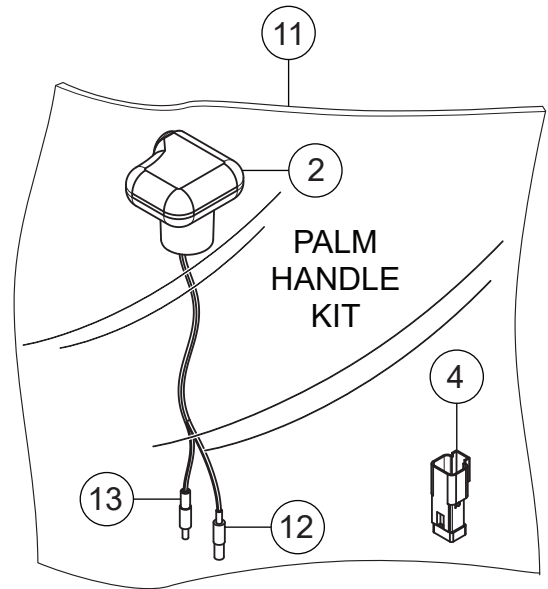
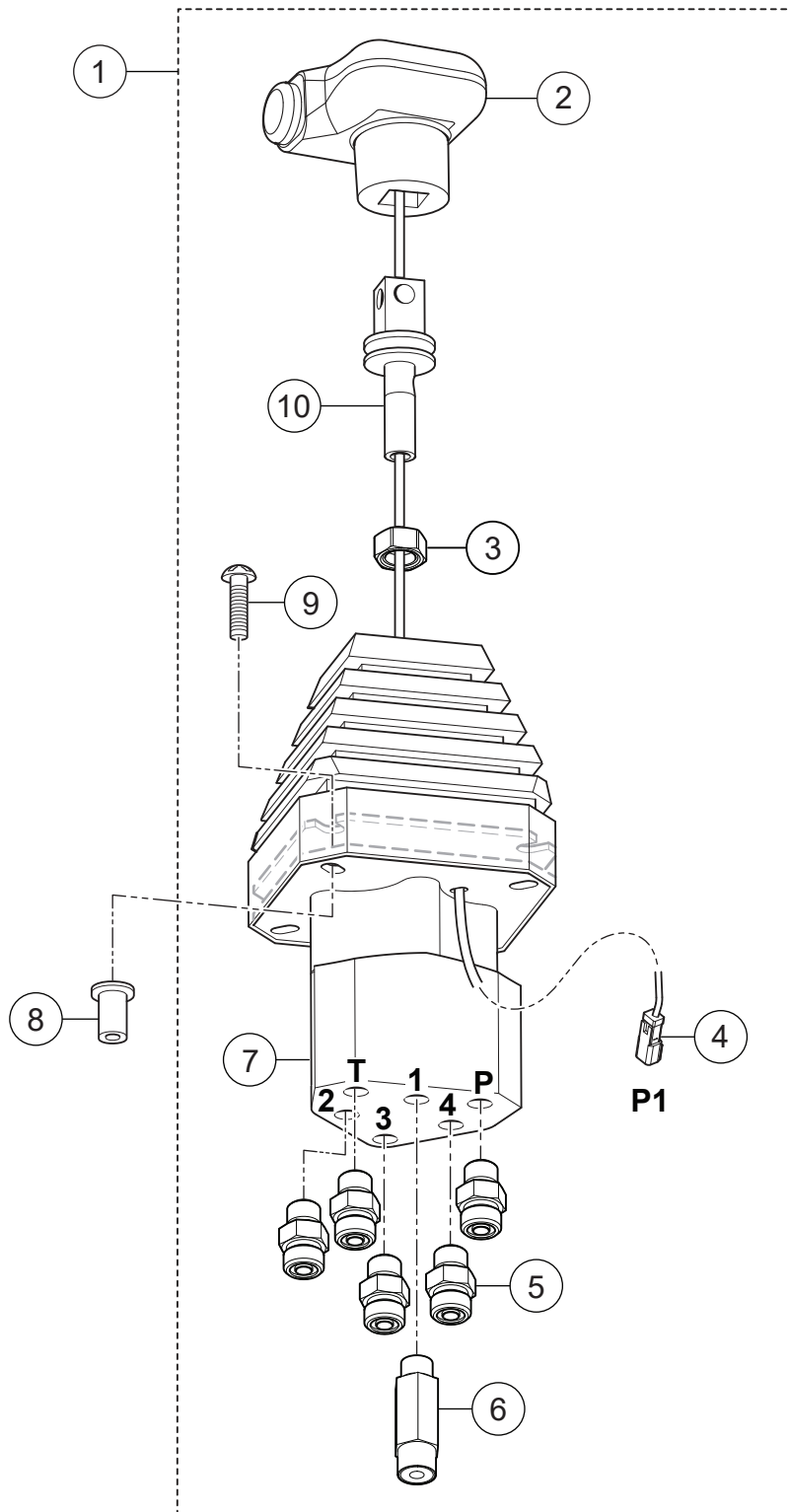
LEFT-HAND STEERING VALVE ASSY.



LEFT-HAND STEERING VALVE ASSY.

<u>NO.</u>	<u>PART NO.</u>	<u>PART NAME</u>	<u>QTY.</u>	<u>REMARKS</u>
1	43740	VALVE ASSY., LH STEERING W/SWITCH	1.....	INCLUDES ITEMS W/#
2#%	22001	HANDLE, PALM W/SWITCH, LEFT	2	
3#	21053	ADAPTOR, LH PALM HANDLE	1	
4#	16083	NUT, HEX M12-1.75 NO PLATE	1	
5#	42325	SCREW, BHSC, M6-1.0 X 20, FLANGED	4	
6	42496	NUT, BLIND HEX M6-1.0	4	
7#	32354	FITTING, 90° -6MORFS X -6MOR	2	
8#	32341	FITTING, STR -6MORFS X -6MOR	2	
9#%	37402	CONNECTOR KIT, MALE 2 POSITION	2	
10#	20833	VALVE, LH STEERING	1	
11	20150	KIT, PALM HANDLE LEFT, W/SWITCH.....	1.....	INCLUDES ITEMS W/%
12%	1318	TERMINAL, BULLET, FEM, 18-22	2	
13%	4692	TERMINAL, BULLET, .156 MALE, 14-16 GA	2	

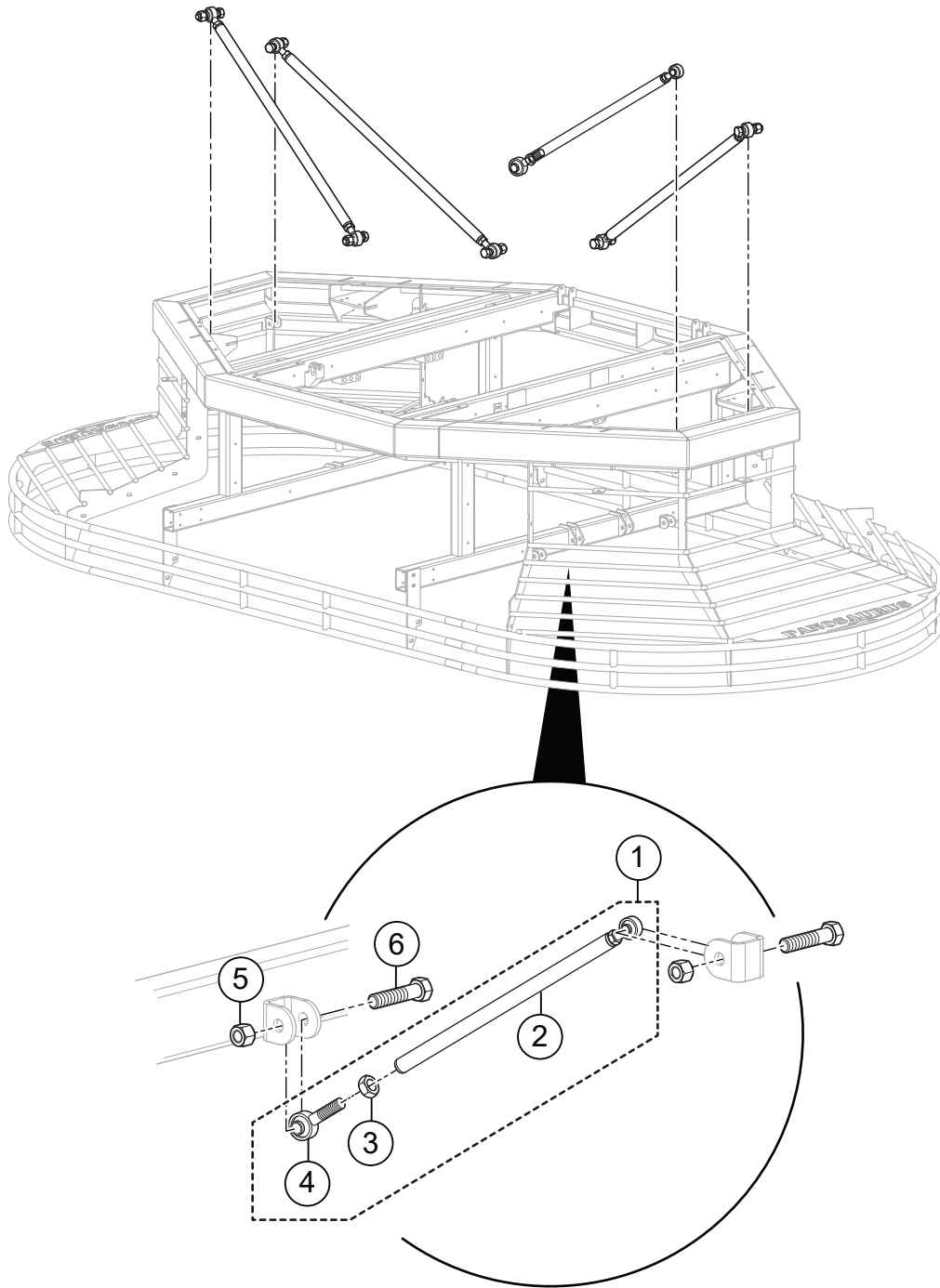
RIGHT-HAND STEERING VALVE ASSY.



RIGHT-HAND STEERING VALVE ASSY.

<u>NO.</u>	<u>PART NO.</u>	<u>PART NAME</u>	<u>QTY.</u>	<u>REMARKS</u>
1	43741	VALVE ASSY., RH STEERING W/SWITCH.....	1.....	INCLUDESITEMSW/#
2#%	12999	HANDLE, PALM W/SWITCH, RIGHT	2	
3#	16083	NUT, HEX M12-1.75 NO PLATE	1	
4#%	37402	CONNECTOR KIT, MALE 2 POSITION	2	
5#	32341	FITTING, STR -6MORFS X -6MOR	5	
6#	32454	FITTING, STR 6MOR X 6MORFS LONG	1	
7#	20832	VALVE, RH STEERING	1	
8	43655	NUT, BLIND HEX M6-1.0 4.2MM-6.6MM	4	
9#	42325	SCREW, HHC, M6-1.0 X 20, CAPTIVE WASHER	4	
10#	20834	ADAPTOR, RH PALM HANDLE	1	
11	20155	KIT, PALM HANDLE RIGHT, W/SWITCH	1.....	INCLUDESITEMSW/%
12%	1318	TERMINAL, BULLET, FEM, 18-22	2	
13%	4692	TERMINAL, BULLET, .156 MALE, 14-16 GA	2	

STEERING STRUTS ASSY.



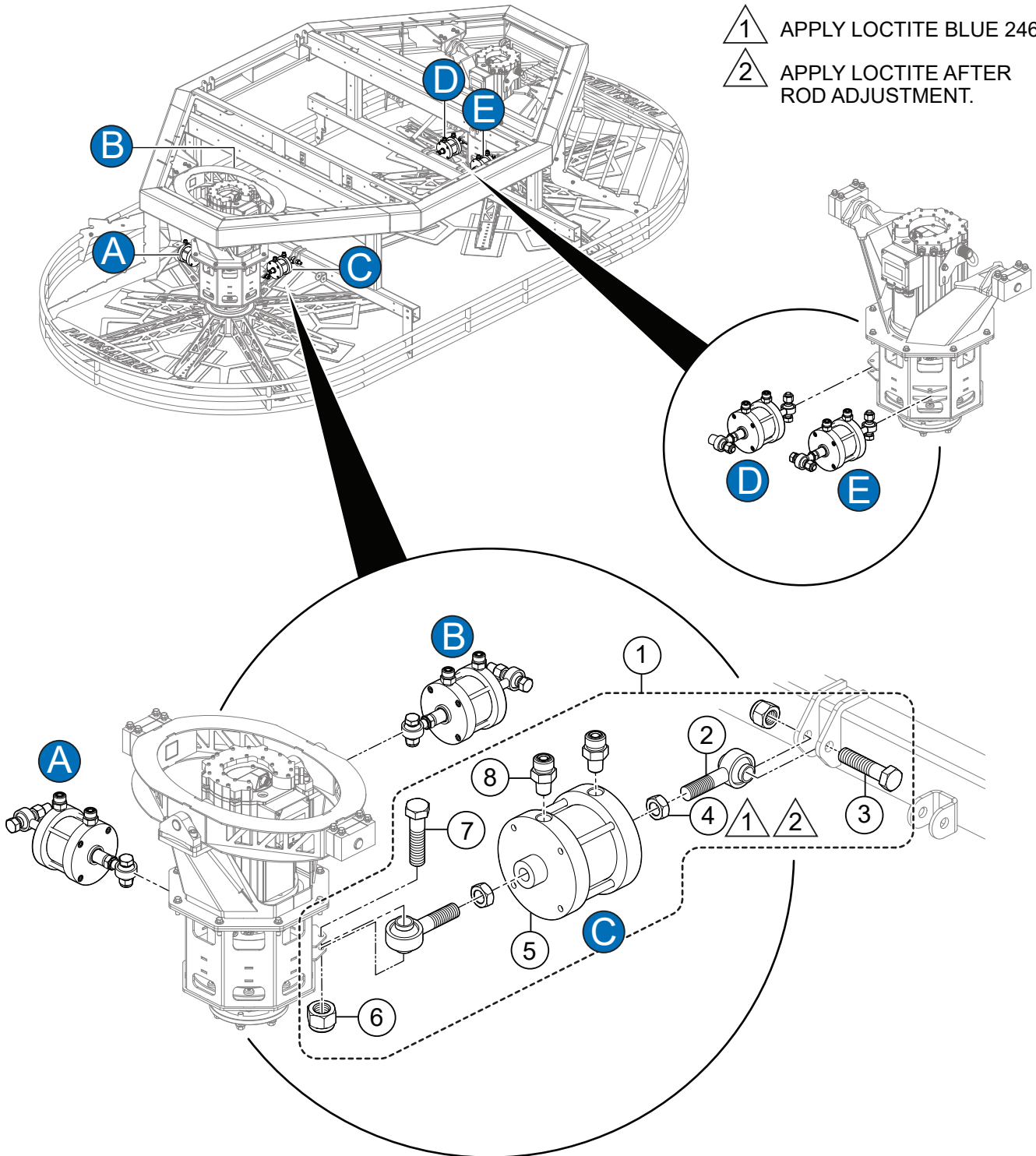
STEERING STRUTS ASSY.

<u>NO.</u>	<u>PART NO.</u>	<u>PART NAME</u>	<u>QTY.</u>	<u>REMARKS</u>
1	43443	STRUT, STEERING ASSY.	4	INCLUDES ITEMS W/@
2@	43860	STRUT, STEERING W/A	4	
3@	11146	NUT, HEX JAM 1/2-20 PLATED	8	
4@	21944	ROD END, 1/2-20 M RH W/CUSTOM BALL	8	
5	10176	NUT, NYLOC 1/2-13	8	
6	13178	SCREW, HHC 1/2-13 X 2-1/4" GR5	8	

HYDRAULIC STEERING CYLINDERS ASSY.

NOTES:

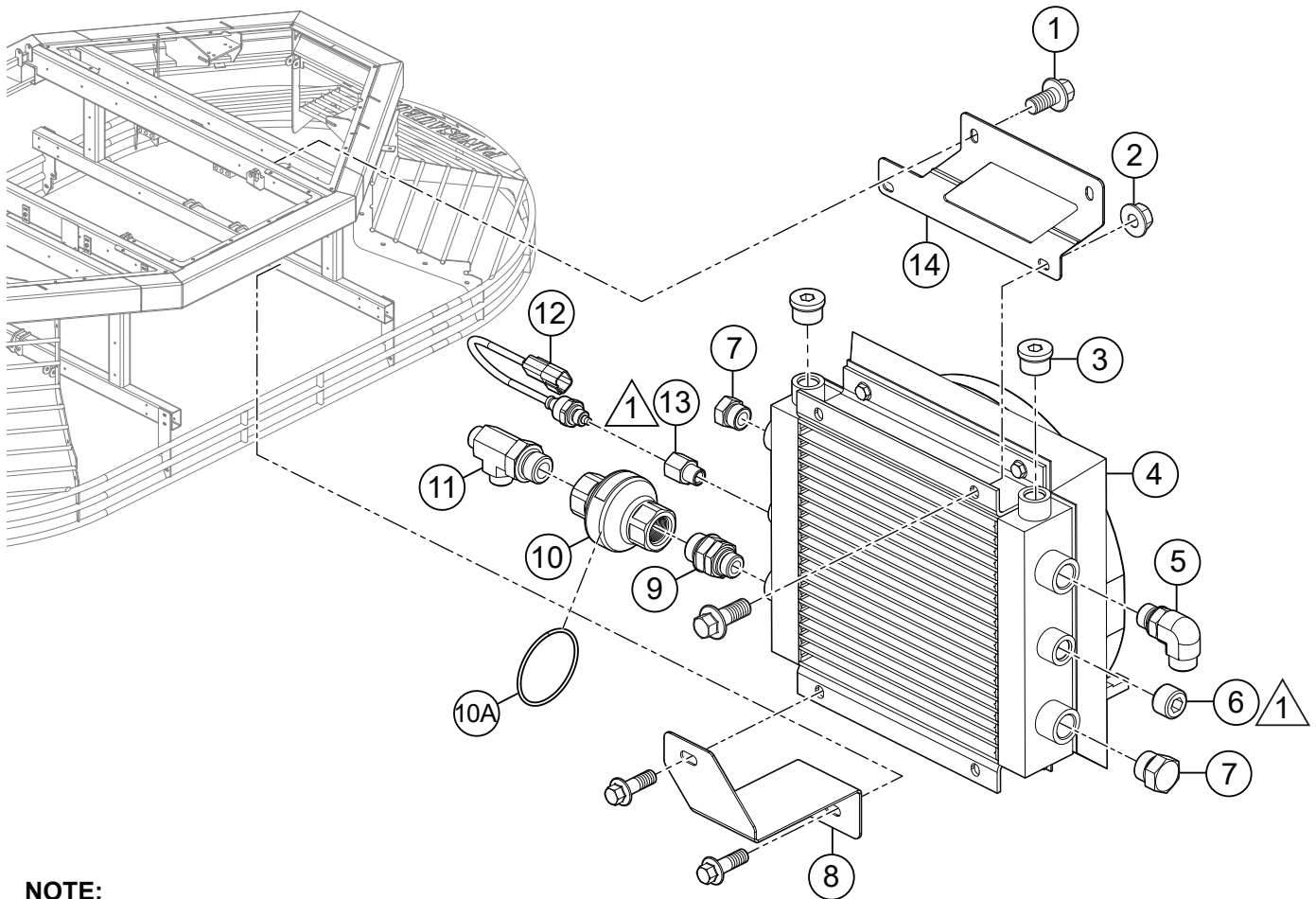
- 1 APPLY LOCTITE BLUE 246.
- 2 APPLY LOCTITE AFTER ROD ADJUSTMENT.



HYDRAULIC STEERING CYLINDERS ASSY.

<u>NO.</u>	<u>PART NO.</u>	<u>PART NAME</u>	<u>QTY.</u>	<u>REMARKS</u>
1	42226	CYLINDER ASSY., HYDRAULIC STEERING.....	5	INCLUDES ITEMS W/@
2@	21944	ROD END, 1/2-20 M RH W/CUSTOM BALL	10	
3@	13178	SCREW, HHC 1/2-13 X 2 1/4 GR5	5	
4@	11146	NUT, HEX JAM 1/2-20 PLATED	10	
5@	12056	CYLINDER, 2.5" BORE X 1.5" STR X 0.75" ROD	5	
6@	10176	NUT, NYLOC 1/2-13	10	
7@	12318	SCREW, HHC 1/2-13 X 2-3/4"	5	
8@	32350	FITTING, 6MORFS X 04MP STR	10	

HYDRAULIC COOLER ASSY.



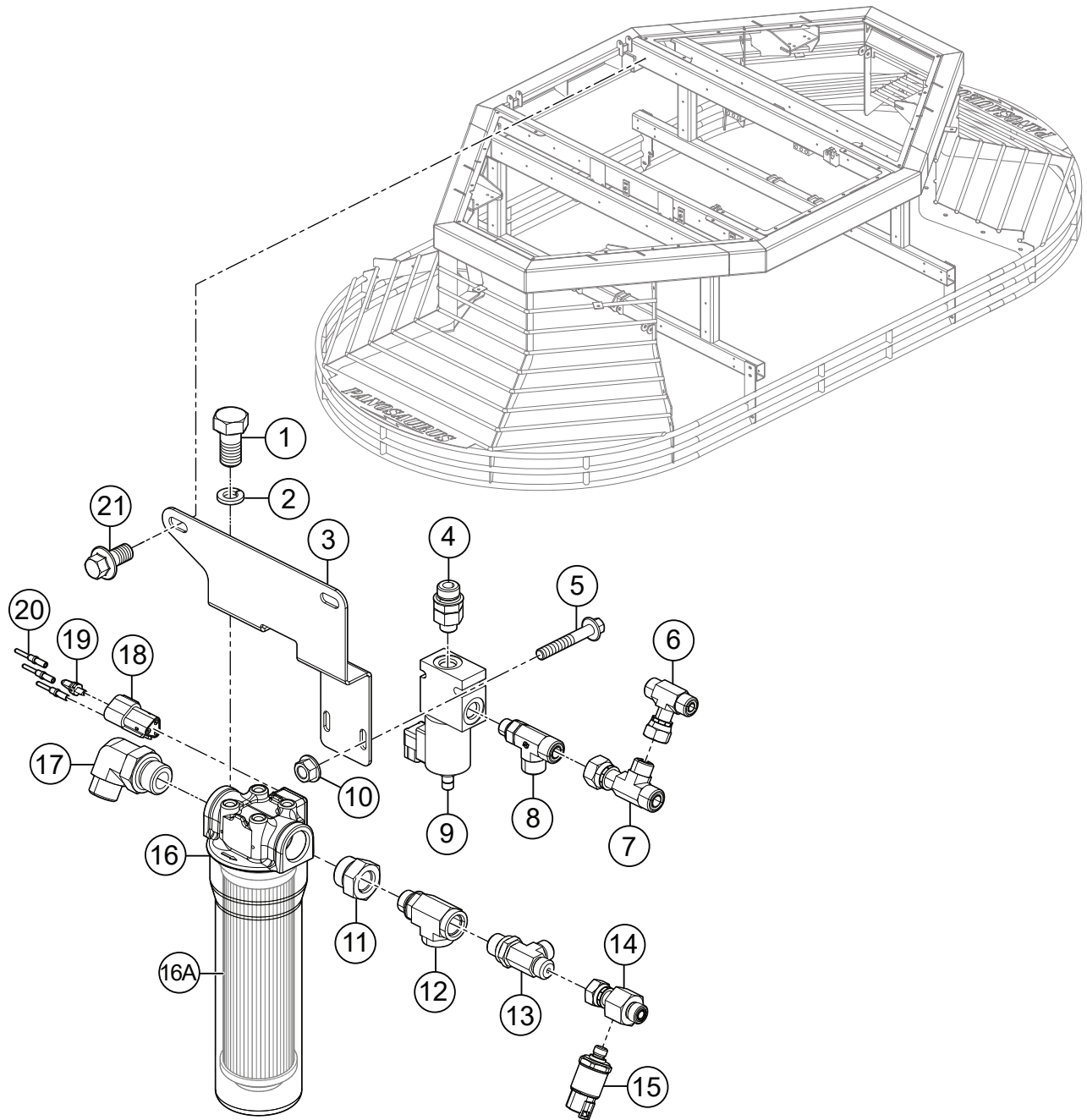
NOTE:

 USE HIGH PRESSURE SEALANT ON THREADS.

HYDRAULIC COOLER ASSY.

<u>NO.</u>	<u>PART NO.</u>	<u>PART NAME</u>	<u>QTY.</u>	<u>REMARKS</u>
1	22021	SCREW, HEX FLANGE M8-1.25 X 20MM GR10.9	6	
2	15227	NUT, HEX FLANGED M8-1.25 GR 10	3	
3	368700	FITTING, PLUG 8MO HEX SKT HD	2	
4	42648	HEAT EXCHANGER, HYDRAULIC, TIER 4	1	
5	32358	FITTING, 90 -10MORFS X -10MOR	1	
6	5016 B	FITTING, PLUG 3/8MP HEX SKT HD	1	
7	32468	FITTING, PLUG - ORING - 10	2	
8	45375	BRACKET, LOWER HYDRAULIC COOLER	1	
9	43962	FITTING, STR 12MORB X 10MORB	1	
10	43963	FILTER, MAGNETIC MIDI	1	INCLUDES ITEMS W/@
10A@	43963-01	O-RING, FILTER, MAGNETIC MIDI	1	
11	43501	FITTING, RUN TEE 08 MORFS 12 MORB 8 MORFS	1	
12	45272	SENSOR, TEMP, HYD.	1	
13	32438	FITTING, STR 3/8MP X 6FOR	1	
14	45376	BRACKET, UPPER HYDRAULIC COOLER	1	

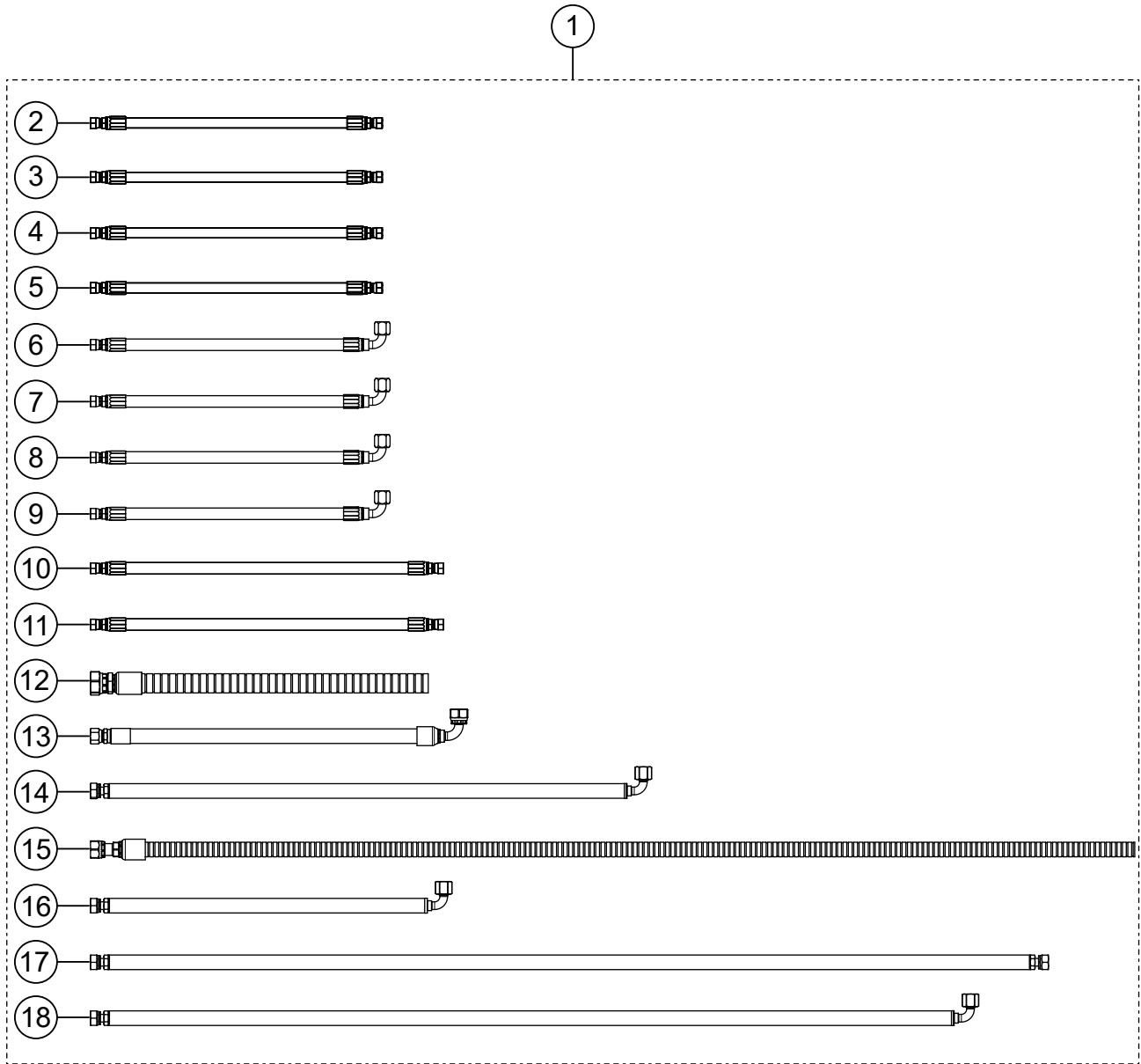
HYDRAULIC FILTER ASSY.



HYDRAULIC FILTER ASSY.

<u>NO.</u>	<u>PART NO.</u>	<u>PART NAME</u>	<u>QTY.</u>	<u>REMARKS</u>
1	4196	SCREW, HHC 3/8-16 X .75	4	
2	0166 A	WASHER, LOCK, 3/8" MED.	4	
3	45179	HYD. FILTER MOUNT	1	
4	43945	FITTING, STR 8MORB X -6MORB	1	
5	42349	SCREW, HFS, ZP, M6-1.0 X 40, CLASS 8.8	2	
6	43948	FITTING, TEE 6MORFS, 6MORFS, 6FORF BRANCH	1	
7	43947	FITTING, TEE 8MORFS, 8FORFS, 6MORFS	1	
8	43946	FITTING, TEE 6MORB X 8ORFS X 8ORFS	1	
9	43857	ASSY., PPR VALVE	1	
10	42352	NUT, HEX, SERRATED-FLANGE, M6-1.0	2	
11	43943	FITTING, STR 8FORB X -12MORB	1	
12	43944	FITTING, TEE, -8FORB X -8FORB X -8MORB	1	
13	32351	FITTING, TEE 6MORFS X 8MOR	1	
14	43507	FITTING, 6MFS X 6FFS X 4FOR	1	
15	43119	PRESSURE TRANSDUCER, 0-40 BAR	1	
16	42616	FILTER ASSY., MED., 10 MICRON, BYPASS IND.....	1	INCLUDES ITEMS W/@
16A@	42616-1	FILTER REPLACEMENT ELEMENT, MED.	1	
17	32363	FITTING, 90°, 12MOR X 10MFS	1	
18	EE50818	CONNECTOR, DEUTSCH 3 POSITION	1	
19	EE50819	WEDGE LOCK, DT SERIES, 3 POS., GREEN, W3P	1	
20	46192	PIN, DEUTSCH 16, 16-20 AWG	3	
21	42342	SCREW, HHFS, M8-1.25 X 16 GR 8.8	2	

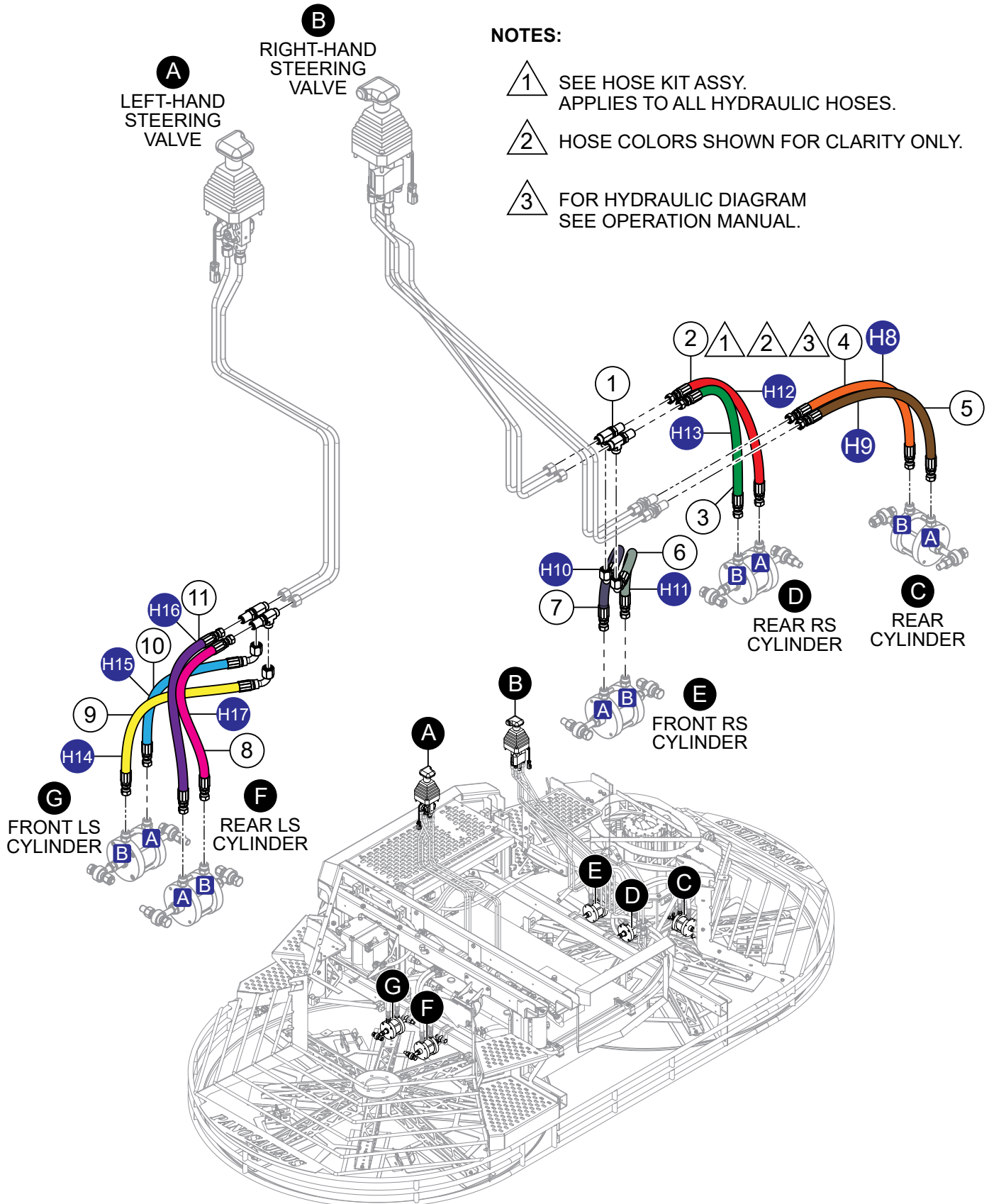
HYDRAULIC HOSE KIT ASSY. (COMPLETE)



HYDRAULIC HOSE KIT ASSY. (COMPLETE)

<u>NO.</u>	<u>PART NO.</u>	<u>PART NAME</u>	<u>QTY.</u>	<u>REMARKS</u>
1	45383	HYDRAULIC HOSE KIT ASSEMBLY	1	INCLUDES ITEMS W/@
2@	43940	HOSE ASSY., 3/8" X 19", 6FORFS X 6FORFS	1	HOSE 12
3@	43940	HOSE ASSY., 3/8" X 19", 6FORFS X 6FORFS	1	HOSE 13
4@	43940	HOSE ASSY., 3/8" X 19", 6FORFS X 6FORFS	1	HOSE 16
5@	43940	HOSE ASSY., 3/8" X 19", 6FORFS X 6FORFS	1	HOSE 17
6@	43949	HOSE ASSY., 3/8" X 19", 6FORFS90 X 6FORFS	1	HOSE 10
7@	43949	HOSE ASSY., 3/8" X 19", 6FORFS90 X 6FORFS	1	HOSE 11
8@	43949	HOSE ASSY., 3/8" X 19", 6FORFS90 X 6FORFS	1	HOSE 14
9@	43949	HOSE ASSY., 3/8" X 19", 6FORFS90 X 6FORFS	1	HOSE 15
10@	43950	HOSE ASSY., 3/8" X 23", 06FORFSTR X 06FORFSTR	1	HOSE 8
11@	43950	HOSE ASSY., 3/8" X 23", 06FORFSTR X 06FORFSTR	1	HOSE 9
12@	43952	HOSE ASSY., 3/4" X 22", -12ORFS.....	1	HOSE 1
13@	43953	HOSE ASSY., 1/2" X 24", 10FFOR90 X 8FORFSSTR	1	HOSE 2
14@	43955	HOSE ASSY., 1/2" X 36", 8FORFS90 X 8FORFSSTR.....	1	HOSE 5
15@	43956	HOSE ASSY., 5/8" X 68", 10FORFS X BARE	1	HOSE 7
16@	43957	HOSE ASSY., 1/2" X 23", 8FORFS90 X 8FORFSSTR.....	1	HOSE 6
17@	43958	HOSE ASSY., 1/2" X 96", 8FORFSSTR X 8FORFSSTR....	1	HOSE 4
18@	43959	HOSE ASSY., 1/2" X 83", 8FORFS90 X 8FORFSSTR.....	1	HOSE 3

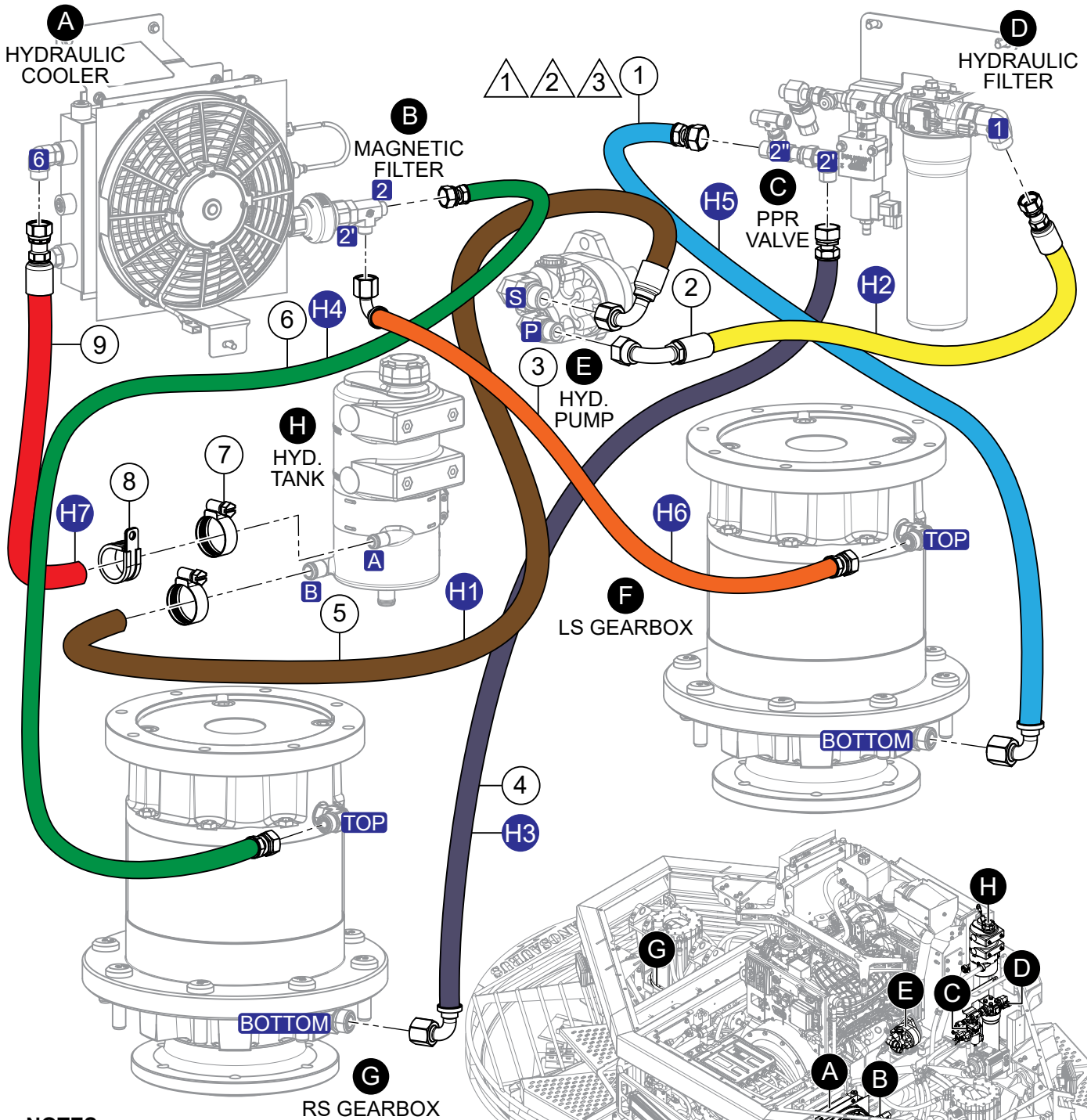
HYD. HOSE ASSY. (HYD. STEERING CYLINDERS)



HYD. HOSE ASSY. (HYD. STEERING CYLINDERS)

<u>NO.</u>	<u>PART NO.</u>	<u>PART NAME</u>	<u>QTY.</u>	<u>REMARKS</u>
1	32422	FITTING, TEE-BH 6MORFS.....	4	
2	43940	HOSE ASSY., 3/8" X 19", 6FORFS X 6FORFS.....	1.....	HOSE 12
3	43940	HOSE ASSY., 3/8" X 19", 6FORFS X 6FORFS.....	1.....	HOSE 13
4	43950	HOSE ASSY., 3/8" X 23", 06FORFSTR X 06FORFSTR.....	1.....	HOSE 8
5	43950	HOSE ASSY., 3/8" X 23", 06FORFSTR X 06FORFSTR.....	1.....	HOSE 9
6	43949	HOSE ASSY., 3/8" X 19", 6FORFS90 X 6FORFS.....	1.....	HOSE 11
7	43949	HOSE ASSY., 3/8" X 19", 6FORFS90 X 6FORFS.....	1.....	HOSE 10
8	43940	HOSE ASSY., 3/8" X 19", 6FORFS X 6FORFS.....	1.....	HOSE 17
9	43949	HOSE ASSY., 3/8" X 19", 6FORFS90 X 6FORFS.....	1.....	HOSE 14
10	43949	HOSE ASSY., 3/8" X 19", 6FORFS90 X 6FORFS.....	1.....	HOSE 15
11	43940	HOSE ASSY., 3/8" X 19", 6FORFS X 6FORFS.....	1.....	HOSE 16

HYD. HOSE ASSY. (TANK/PUMP/FILTER/COOLER/MOTORS)



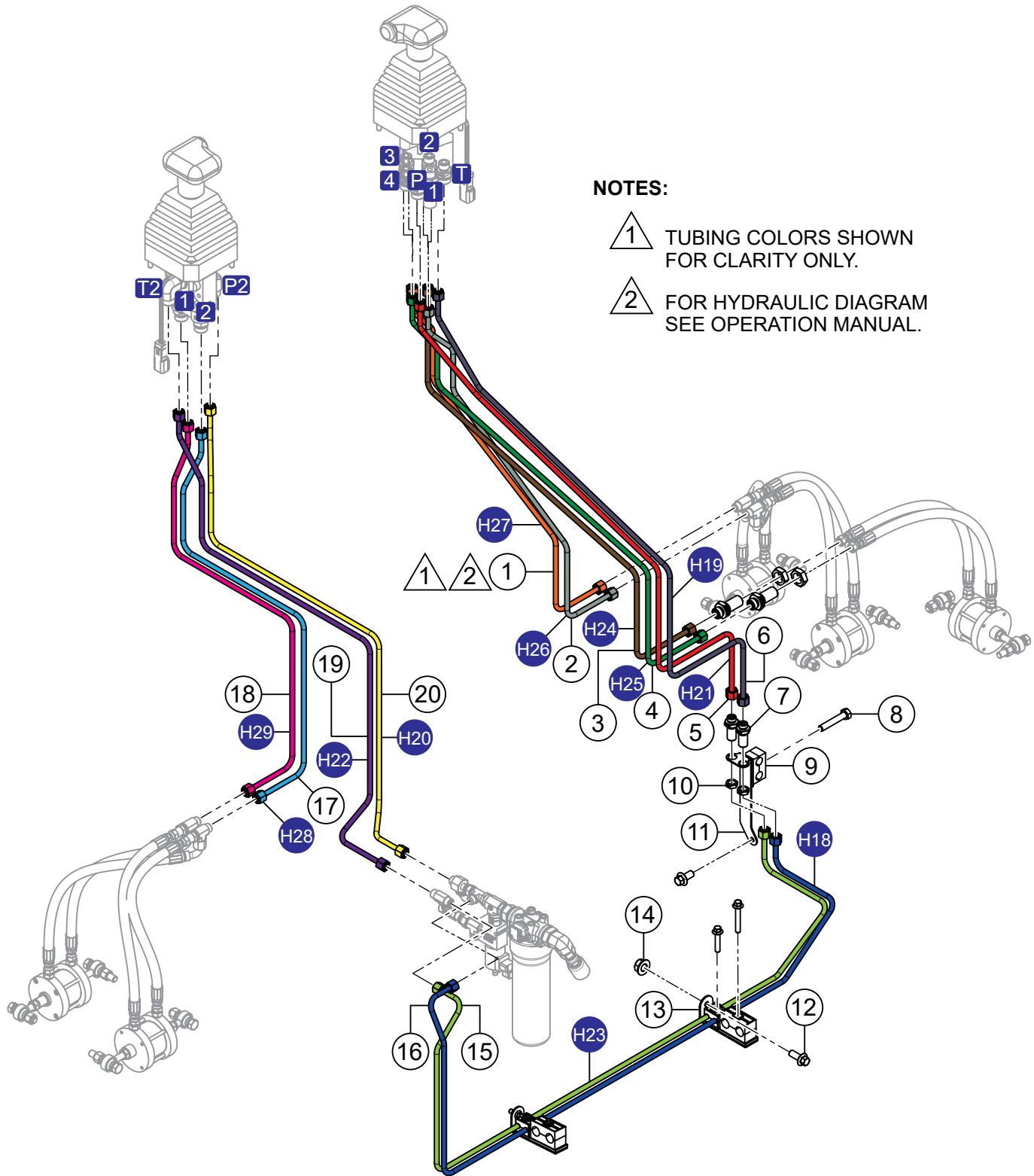
NOTES:

- 1 SEE HOSE KIT ASSY. APPLIES TO ALL HYDRAULIC HOSES.
- 2 HOSE COLORS SHOWN FOR CLARITY ONLY.
- 3 FOR HYDRAULIC DIAGRAM SEE OPERATION MANUAL.

HYD. HOSE ASSY. (TANK/PUMP/FILTER/COOLER/MOTORS)

<u>NO.</u>	<u>PART NO.</u>	<u>PART NAME</u>	<u>QTY.</u>	<u>REMARKS</u>
1	43955	HOSE ASSY., 1/2" X 36" 8FORFS90 X 8FORFSSTR.....	1.....	HOSE 5
2	43953	HOSE ASSY., 1/2" X 27" 10FFOR90 X 8FORFSSTR.....	1.....	HOSE 2
3	43957	HOSE ASSY., 1/2" X 23" 8FORFS90 X 8FORFSSTR.....	1.....	HOSE 6
4	43959	HOSE ASSY., PSH LK 1/2" X 82.55" 8FORFS X 90 X 8.....	1.....	HOSE 3
5	43952	HOSE ASSY., 3/4" X 22.55", -12ORFS90	1.....	HOSE 1
6	43958	HOSE ASSY., PSH LK 1/2" X 95.75 8FORFS X 8FOR.....	1.....	HOSE 4
7	3333	CLAMP, HOSE WORM #12, 11/16" TO 1-1/4"	2	
8	21574	CLAMP, LOOP CUSHIONED #16 0.25" HOLE	1	
9	43956	HOSE ASSY., 5/8" X 68", 10FORFS X BARE	1.....	HOSE 7

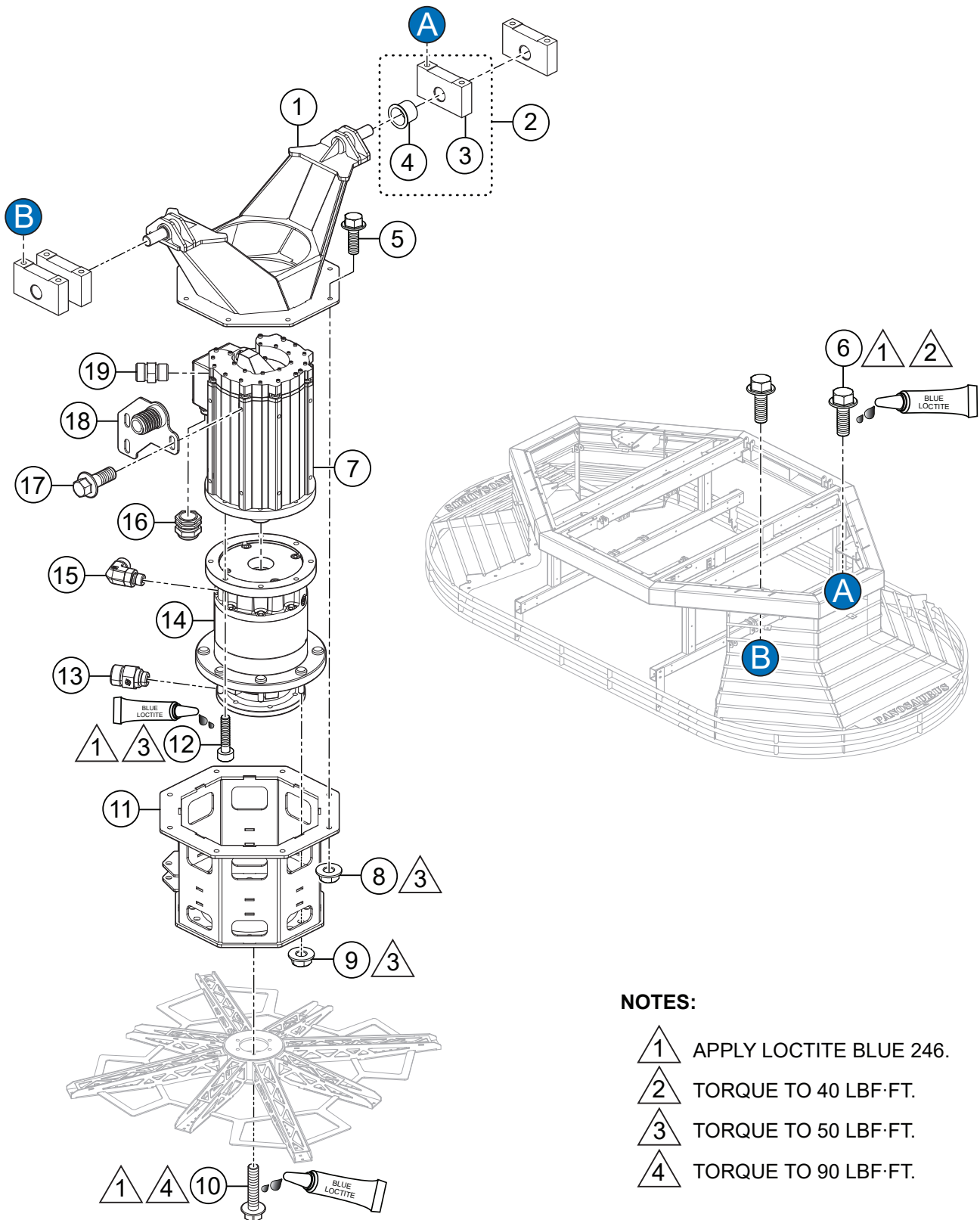
HYDRAULIC TUBING ASSY.





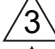

HYDRAULIC TUBING ASSY.

<u>NO.</u>	<u>PART NO.</u>	<u>PART NAME</u>	<u>QTY.</u>	<u>REMARKS</u>
1	45244	HYD. TUBING, RIGHT JOYSTICK PORT 1.....	1.....	HOSE 27
2	45246	HYD. TUBING, RIGHT JOYSTICK PORT 3.....	1.....	HOSE 26
3	45245	HYD. TUBING, RIGHT JOYSTICK PORT 2.....	1.....	HOSE 24
4	45247	HYD. TUBING, RIGHT JOYSTICK PORT 4.....	1.....	HOSE 25
5	45249	HYD. TUBING, RIGHT JOYSTICK TANK.....	1.....	HOSE 21
6	45248	HYD. TUBING, RIGHT JOYSTICK PRESSURE.....	1.....	HOSE 19
7	32252	FITTING, STR -6MORFS X -6MORFS BULKHEAD	4	
8	1207	SCREW, HHC 5/16-18 X 1-3/4"	1	
9	20913	CLAMP, 0.75 OD TUBE STAUFF	3	
10	32352	NUT, -6 BULKHEAD	4	
11	45336	HYDRAULIC TUBE STAND	1	
12	42929	SCREW, HHFS M6-1.0 X 65	7	
13	45334	HYDRAULIC TUBE CROSSOVER	2	
14	23802	NUT, HEX FLANGE M8-1.25 SERRATED	2	
15	45264	HYD. TUBING, HYD. SUPPLY PUMP TO FILTER	1.....	HOSE 23
16	45265	HYD. TUBING, HYD. RETURN TO CYCLONE	1.....	HOSE 18
17	45250	HYD. TUBING, LEFT JOYSTICK 1	1.....	HOSE 28
18	45251	HYD. TUBING, LEFT JOYSTICK 2	1.....	HOSE 29
19	45253	HYD. TUBING, LEFT JOYSTICK TANK	1.....	HOSE 22
20	45252	HYD. TUBING, LEFT JOYSTICK PRESSURE	1.....	HOSE 20

LEFT-SIDE DRIVE ASSY.



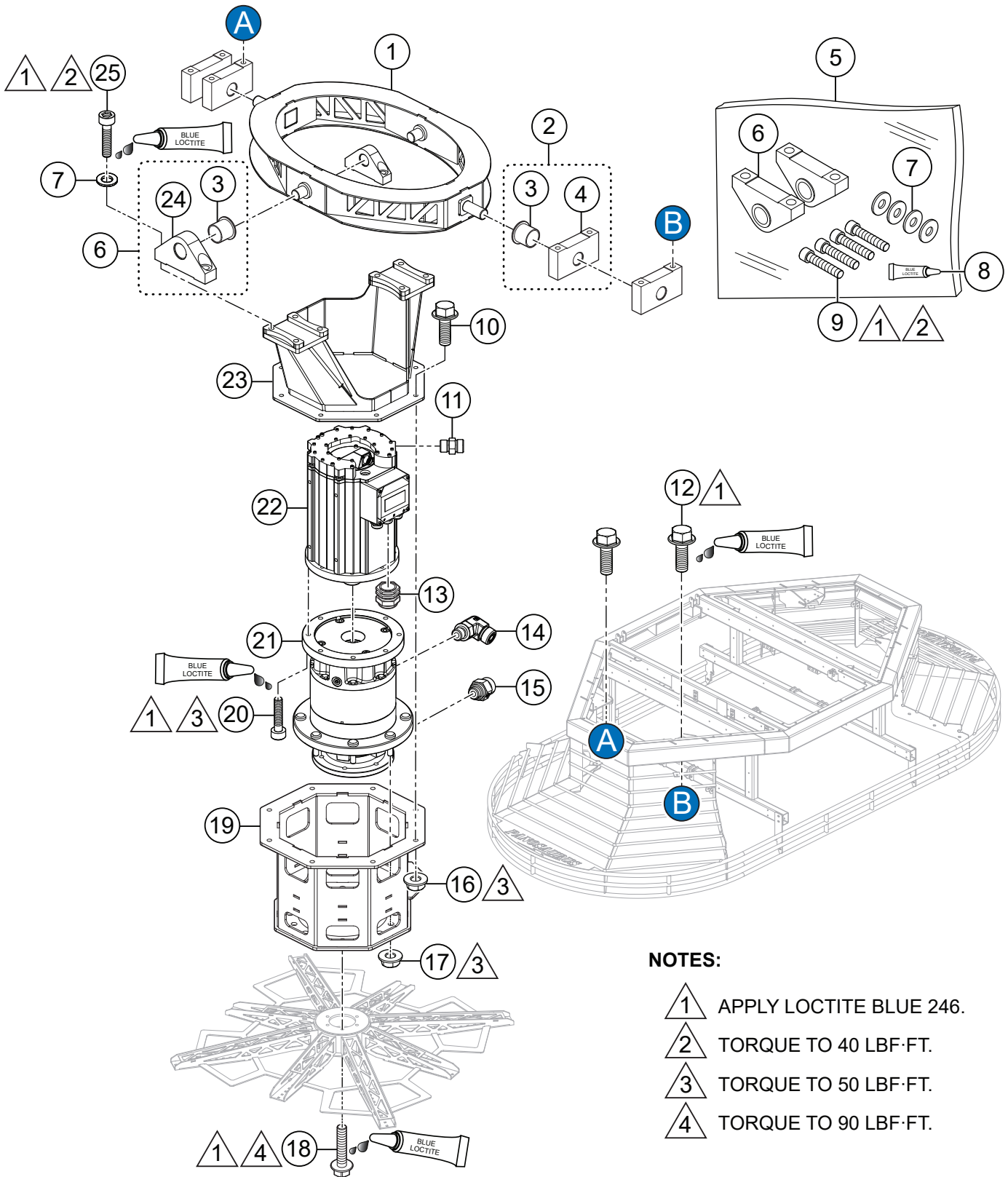
NOTES:

-  APPLY LOCTITE BLUE 246.
-  TORQUE TO 40 LBF-FT.
-  TORQUE TO 50 LBF-FT.
-  TORQUE TO 90 LBF-FT.

LEFT-SIDE DRIVE ASSY.

<u>NO.</u>	<u>PART NO.</u>	<u>PART NAME</u>	<u>QTY.</u>	<u>REMARKS</u>
1	45344	HOUSING, UPPER 1DOF	1	
2	43152	PIVOT BLOCK ASSY., MOTOR MOUNT W/ BUSHING	4	INCLUDESITEMSW/@
3@	43151	PIVOT BLOCK, MOTOR MOUNT	4	
4@	10221	BUSHING, GLIDE IGUS #TFI-1618-16	4	
5	30450	SCREW, HFS, M10-1.5 X 35 GR. 8.8 ZP PATCH	8	
6	32976	SCREW, HFS M10-1.5 X 25 CLASS 10.9	8	
7	45040	MOTOR, GVM150	1	
8	42353	NUT, HEX, SERRATED-FLANGE, M10-1.5	8	
9	43931	NUT, HEX FLANGED, M12-1.50	8	
10	45519	SCREW, HHF M12-1.75 X 30 - 10.9	6	
11	45342	HOUSING, LOWER LEFT	1	
12	43754	SCREW, SHC M10-1.5 X 40MM GR. 12.9 FULL T	8	
13	43978	FITTING, STR -8 MORFS X - 6 MORB	2	
14	45039	GEARBOX, ROTOR	1	
15	45513	FITTING, 90 6ORB X 8MORFS	1	
16	43780	GLAND, GROUNDED M25 X 1.5 POWER CABLE	3	
17	45715	SCREW, HFS, M10-1.5 X 16, CLASS 8.8	2	
18	43723	BRACKET, PROPANE HOSE STOW	1	
19	32425	FITTING, STR 8MORFS X 8MOR	2	

RIGHT-SIDE DRIVE ASSY.



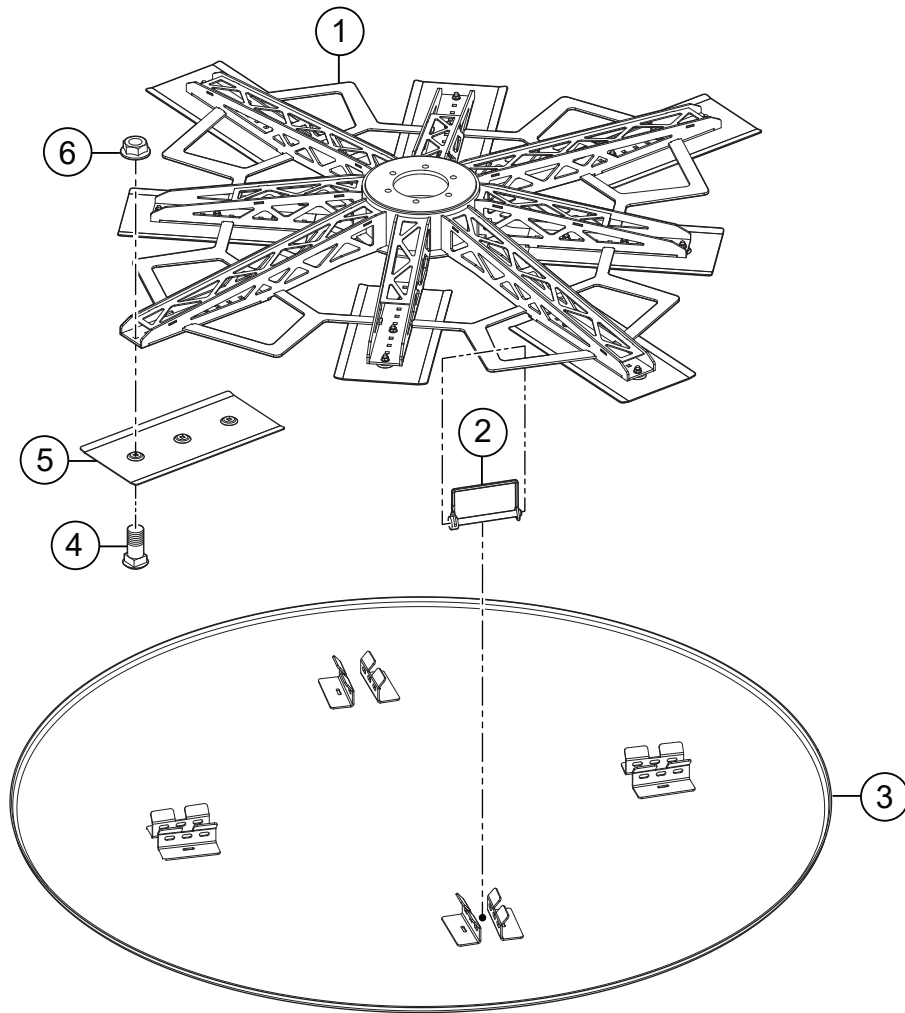
NOTES:

- ▲ 1 APPLY LOCTITE BLUE 246.
- ▲ 2 TORQUE TO 40 LBF·FT.
- ▲ 3 TORQUE TO 50 LBF·FT.
- ▲ 4 TORQUE TO 90 LBF·FT.

RIGHT-SIDE DRIVE ASSY.

<u>NO.</u>	<u>PART NO.</u>	<u>PART NAME</u>	<u>QTY.</u>	<u>REMARKS</u>
1	45054	TRUNNION, PRX 2 DOF	1	
2	43152	PIVOT BLOCK ASSY., MOTOR MOUNT W/ BUSHING	4	INCLUDES ITEMS W/@
3@#+	10221	BUSHING, GLIDE IGUS #TFI-1618-16	10	
4@	43151	PIVOT BLOCK, MOTOR MOUNT	4	
5	42280-SK	KIT, ASSY., BLOCK MOTOR MOUNT 2 DOF PIVOT	1	INCLUDES ITEMS W/#
6#	42280	BLOCK, MOTOR MOUNT 2 DOF PIVOT, ASSY.....	6	INCLUDES ITEMS W/+
7#	43180	WASHER, FLAT M12, DIN 433	12	
8#	1477	LOCTITE 242 BLUE .5CC	1	
9#	43181	SCREW, SHC, M12 X 60, DIN912, GR 12.9	4	
10	30450	SCREW, HFS, M10-1.5 X 35 GR8.8 ZP PATCH	8	
11	32425	FITTING, STR 8MORFS X 8MOR	2	
12	32976	SCREW, HFS M10-1.5 X 25 CLASS 10.9	8	
13	43780	GLAND, GROUNDED M25 X 1.5 POWER CABLE	3	
14	45513	FITTING, 90 6ORB X 8MORFS	1	
15	43978	FITTING, STR -8 MORFS X - 6 MORB	1	
16	42353	NUT, HEX, SERRATED-FLANGE, M10-1.5	8	
17	43931	NUT, HEX FLANGED, M12-1.50	8	
18	45519	SCREW, HHF M12-1.75 X 30 - 10.9	6	
19	45343	HOUSING, LOWER RIGHT	1	
20	43754	SCREW, SHC M10-1.5 X 40MM GR 12.9 FULL T	8	
21	45039	GEARBOX, ROTOR	1	
22	45040	MOTOR, GVM150	1	
23	43845	MOTOR HOUSING WELDMENT	1	
24#+	3942280	PIVOT BLOCK, MOTOR MOUNT	6	
25	32977	SCREW, SHC M12-1.75 X 45 GR 12.9	8	

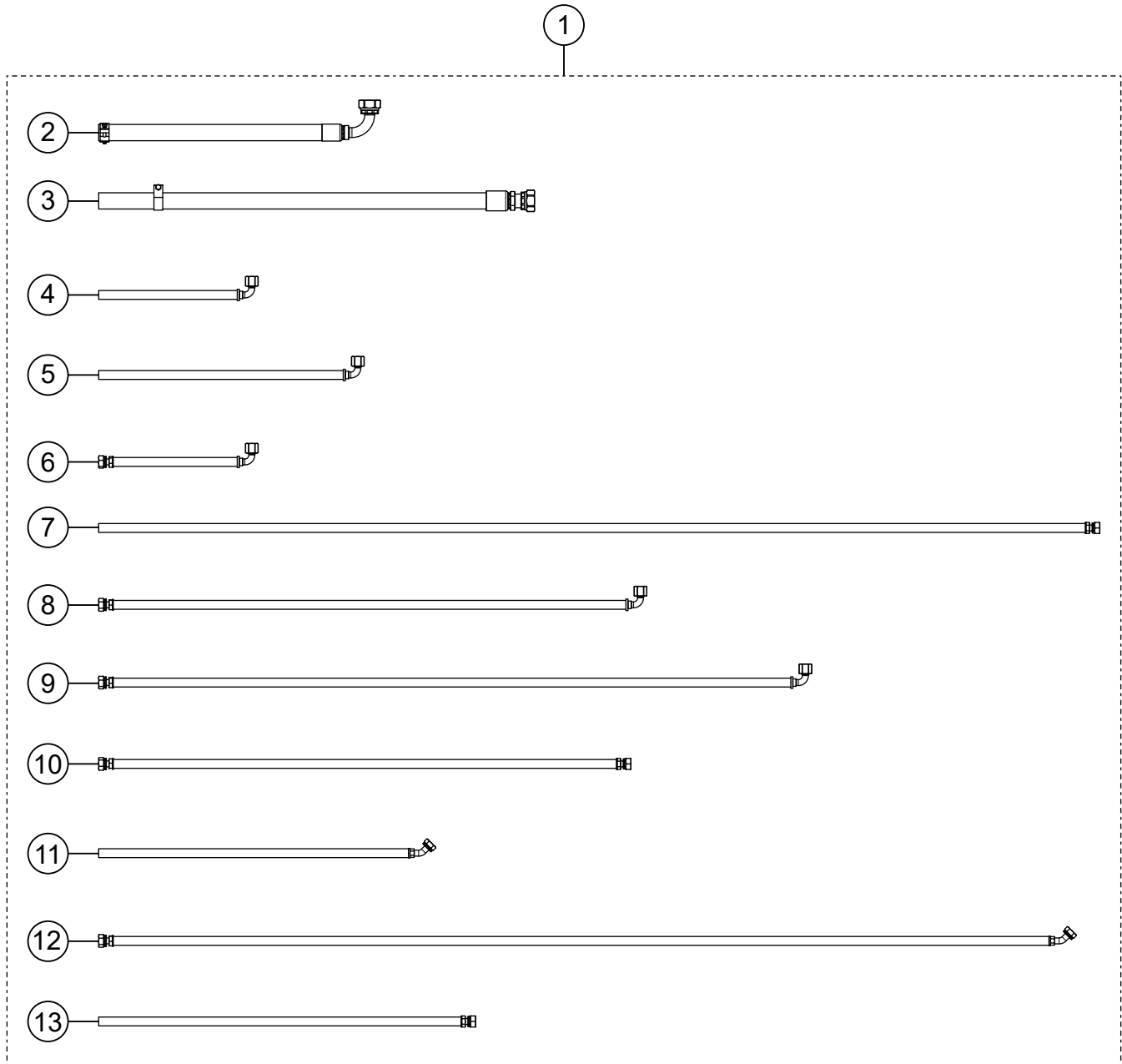
SPIDERS AND PANS ASSY.



SPIDERS AND PANS ASSY.

<u>NO.</u>	<u>PART NO.</u>	<u>PART NAME</u>	<u>QTY.</u>	<u>REMARKS</u>
1	45032	SPIDER, PRX	2	
2	49521	PIN, HITCH, WIRE LOCK, 5/16" DIA. X 3"	8	
3	43777	PAN, PRX	2	
4	19824	BOLT, CARRIAGE 5/16-16 X 3/4"	48	
5	45608	PAD, ROTOR	16	
6	49071	NUT, HFS, 5/16-18	48	

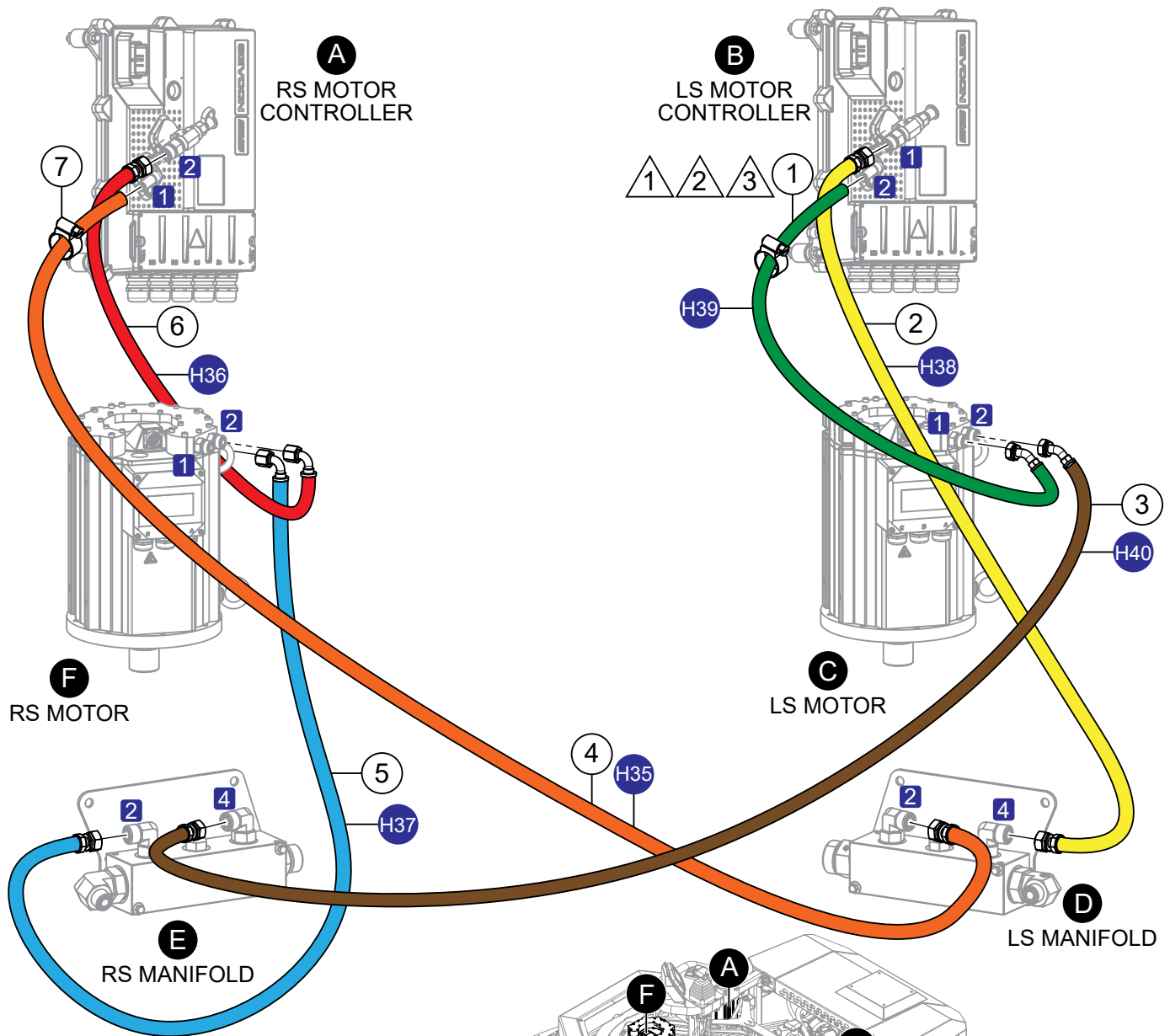
ELECTRIC DRIVE COOLING HOSE KIT ASSY. (COMPLETE)



ELECTRIC DRIVE COOLING HOSE KIT ASSY. (COMPLETE)

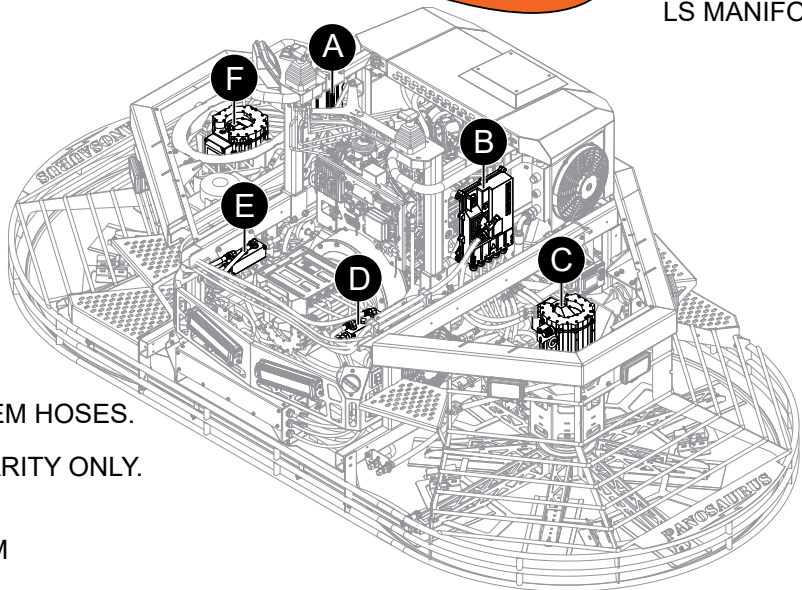
NO.	PART NO.	PART NAME	QTY.	REMARKS
1	45507	ELEC. DRIVE COOLING HOSE KIT ASSEMBLY	1	INCLUDES ITEMS W/@
2@	45514	HOSE ASSY., 1" ID X 23", 16FORFS90 X BARE.....	1	HOSE 30
3@	45515	HOSE ASSY., 1" ID X 37", 16FORFS STR X BARE.....	1	HOSE 31
4@	45523	HOSE ASSY., 0.5" ID X 13", 8FORFS90 X BARE.....	1	HOSE 32
5@	45526	HOSE ASSY., 0.5" ID X 22", 8FORFS90 X BARE.....	1	HOSE 33
6@	45525	HOSE ASSY., 0.5" ID X 13", 8FORFS90 X 8FORFSSTR ..	1	HOSE 34
7@	45520	HOSE ASSY., 0.5" ID X 85", 8FORFS STR X BARE.....	1	HOSE 35
8@	45521	HOSE ASSY., 0.5" ID X 46", 8FORFS90 X 8FORFSSTR ..	1	HOSE 36
9@	45522	HOSE ASSY., 0.5" ID X 58", 8FORFS90 X 8FORFS90	1	HOSE 37
10@	45518	HOSE ASSY., 0.5" ID X 45", 8FORFS X 8FORFS	1	HOSE 38
11@	45516	HOSE ASSY., 0.5" ID X 28", 8FORFS45 X BARE.....	1	HOSE 39
12@	45517	HOSE ASSY., 0.5" ID X 83", 8FORFS45 X 8FORFSSTR ..	1	HOSE 40
13@	45524	HOSE ASSY., 0.63" ID X 29", 8FORFS X BARE.....	1	HOSE 44

ELECTRIC DRIVE COOLING HOSE ASSY. (MOTORS)



NOTES:

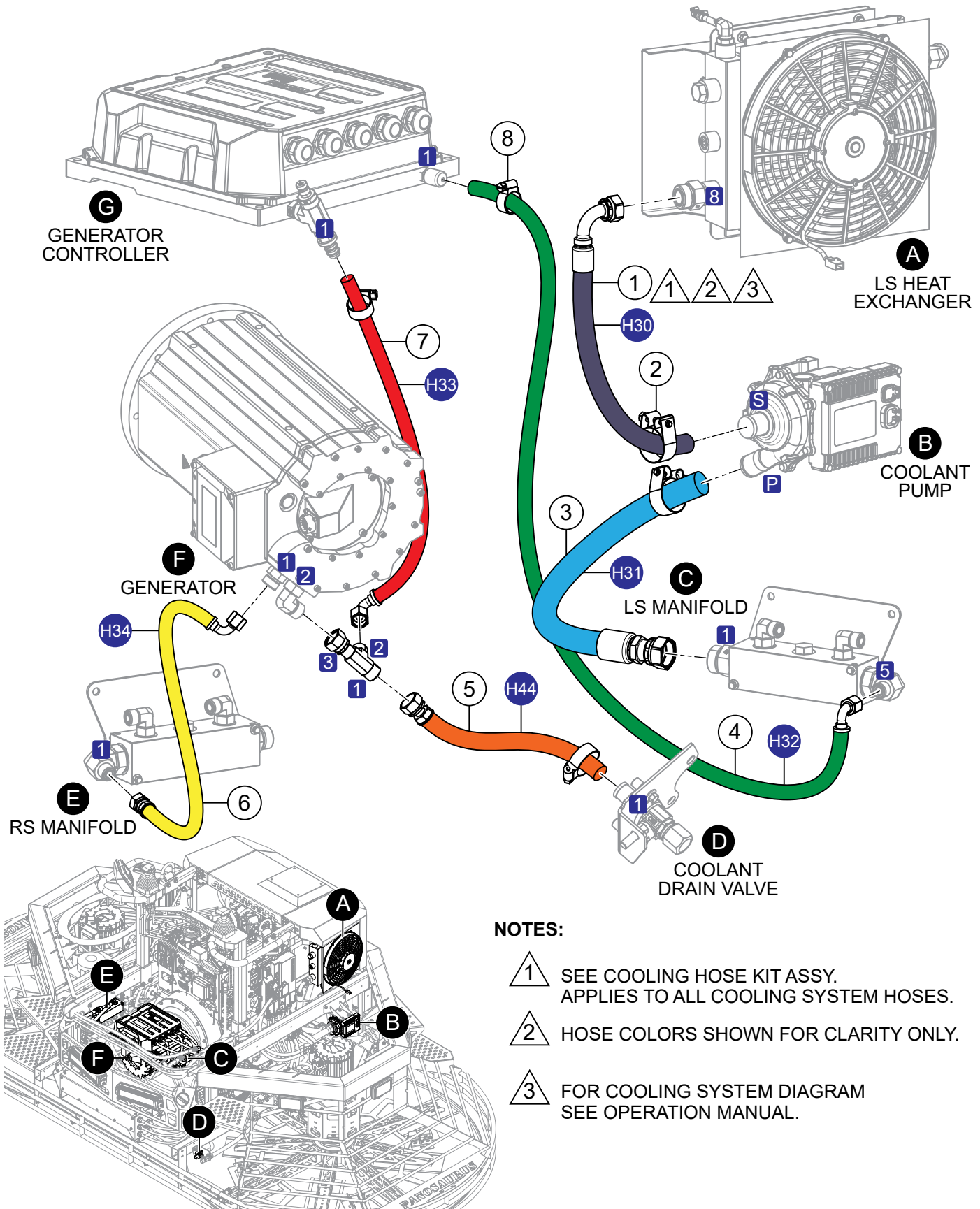
- ① SEE COOLING HOSE KIT ASSY. APPLIES TO ALL COOLING SYSTEM HOSES.
- ② HOSE COLORS SHOWN FOR CLARITY ONLY.
- ③ FOR COOLING SYSTEM DIAGRAM SEE OPERATION MANUAL.



ELECTRIC DRIVE COOLING HOSE ASSY. (MOTORS)

<u>NO.</u>	<u>PART NO.</u>	<u>PART NAME</u>	<u>QTY.</u>	<u>REMARKS</u>
1	45516	HOSE ASSY., 0.5" ID X 28", 8FORFS45 X BARE.....	1.....	HOSE 39
2	45518	HOSE ASSY., 0.5" ID X 45", 8FORFS X 8FORFS	1.....	HOSE 38
3	45517	HOSE ASSY., 0.5" ID X 83", 8FORFS45 X 8FORFSSTR.....	1.....	HOSE 40
4	45520	HOSE ASSY., 0.5" ID X 85", 8FORFS STR X BARE	1.....	HOSE 35
5	45522	HOSE ASSY., 0.5" ID X 58", 8FORFS90 X 8FORFS90	1.....	HOSE 37
6	45521	HOSE ASSY., 0.5" ID X 46", 8FORFS90 X 8FORFSSTR.....	1.....	HOSE 36
7	15538	CLAMP, HOSE WORM #6	2	

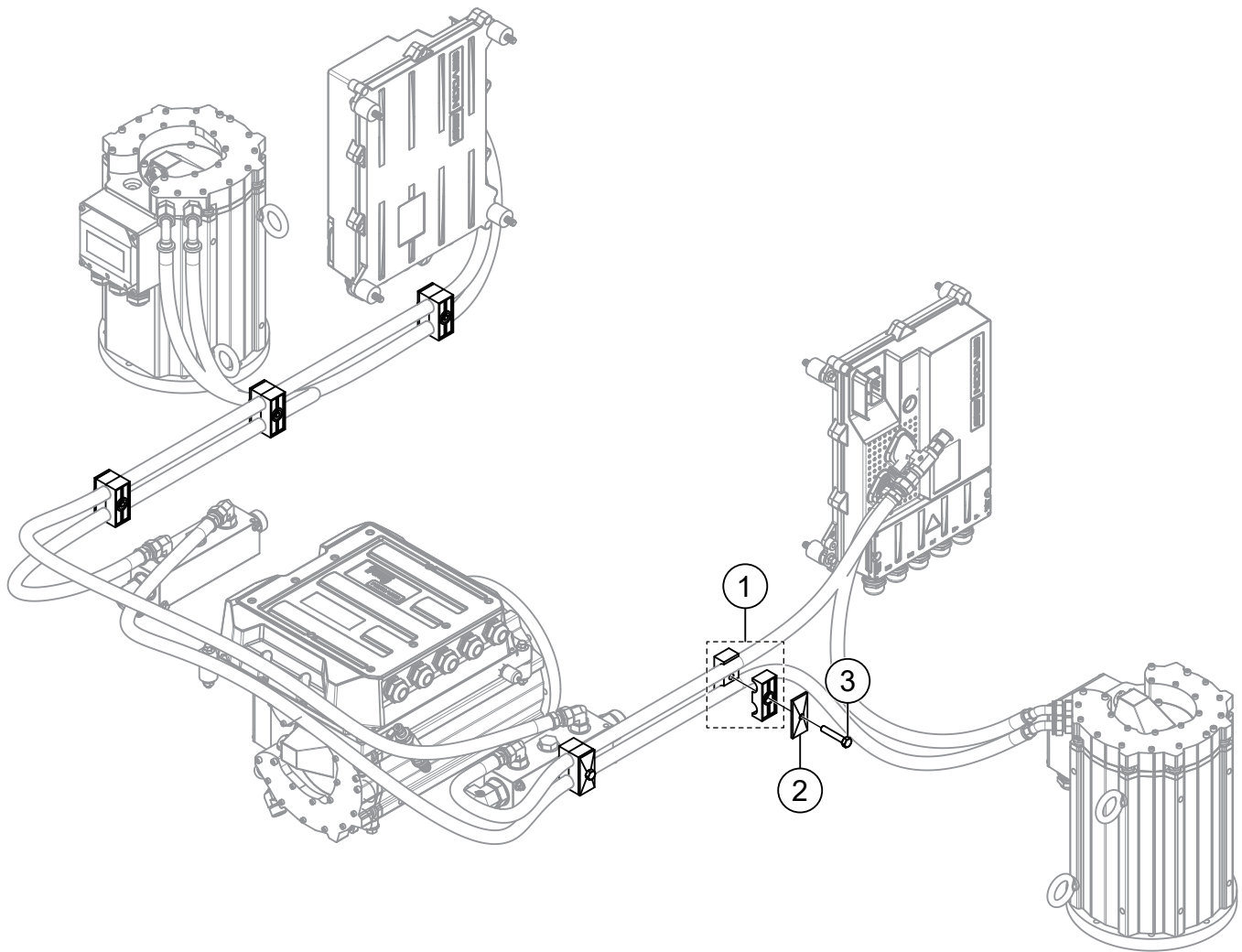
ELECTRIC DRIVE COOLING HOSE ASSY. (GENERATOR/PUMP)



ELECTRIC DRIVE COOLING HOSE ASSY. (GENERATOR/PUMP)

<u>NO.</u>	<u>PART NO.</u>	<u>PART NAME</u>	<u>QTY.</u>	<u>REMARKS</u>
1	45514	HOSE ASSY., 1" ID X 23", 16FORFS90 X BARE.....	1	HOSE 30
			INCLUDESITEMSW/@
2@#	43886	CLAMP, T-BOLT 1.25" – 1.50"	2	
3	45515	HOSE ASSY., 1" ID X 37", 16FORFSSTR X BARE	1	HOSE 31
			INCLUDESITEMSW/#
4	45523	HOSE ASSY., 0.5" ID X 13", 8FORFS90 X BARE.....	1	HOSE 32
5	45524	HOSE ASSY., 0.63" ID X 32" 8FORFS X BARE.....	1	HOSE 44
6	45525	HOSE ASSY., 0.5" ID X 13", 8FORFS90 X 8FORFSSTR.....	1	HOSE 34
7	45526	HOSE ASSY., 0.5" ID X 22", 8FORFS90 X BARE.....	1	HOSE 33
8	15538	CLAMP, HOSE WORM #6	3	

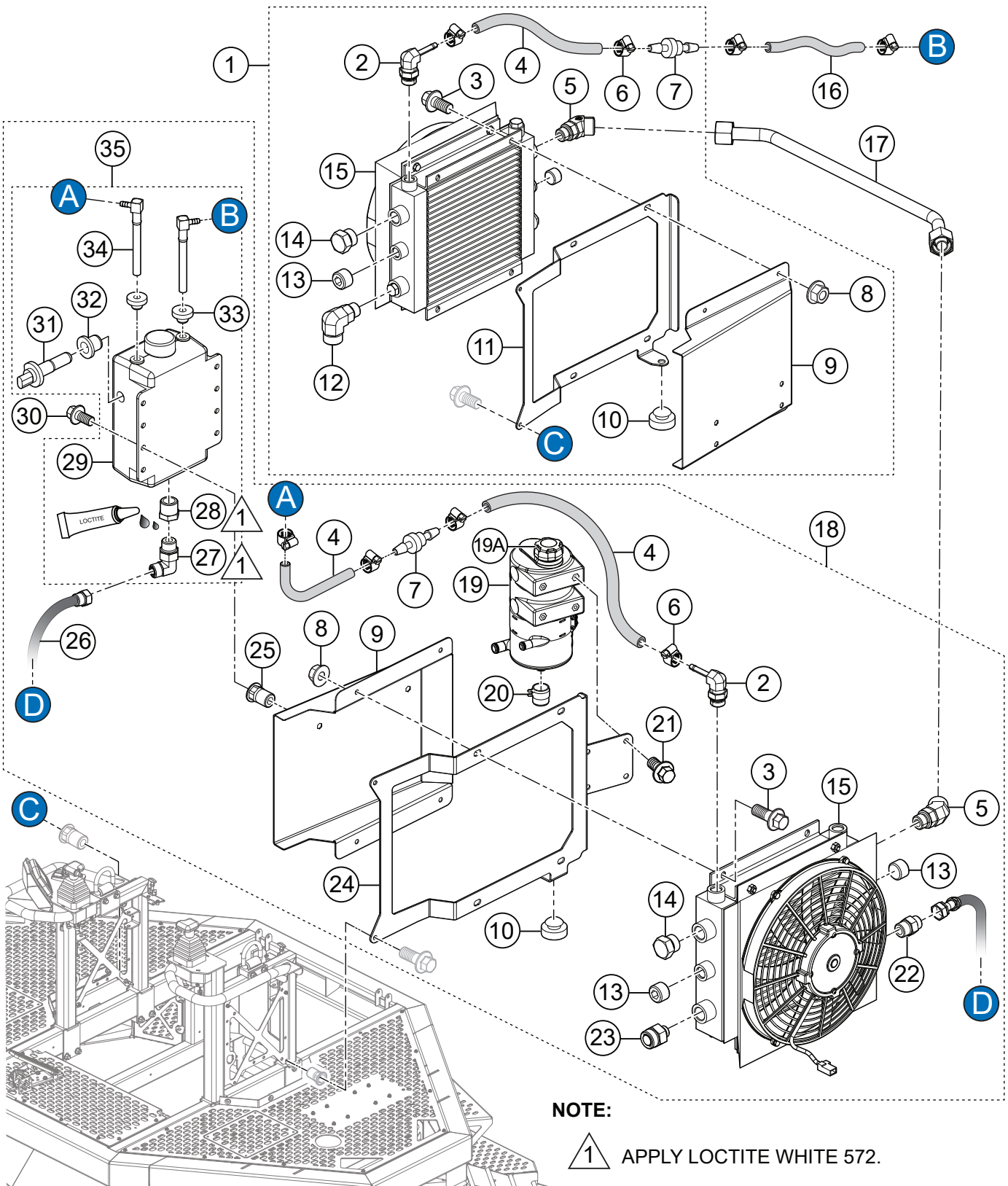
ELECTRIC DRIVE COOLING HOSE CLAMPS ASSY.



ELECTRIC DRIVE COOLING HOSE CLAMPS ASSY.

<u>NO.</u>	<u>PART NO.</u>	<u>PART NAME</u>	<u>QTY.</u>	<u>REMARKS</u>
1	20913	CLAMP, 0.75" OD TUBE	5	
2	20912	COVER, 0.75" OD TUBE	5	
3	1207	SCREW, HHC 5/16-18 X 1-3/4"	5	

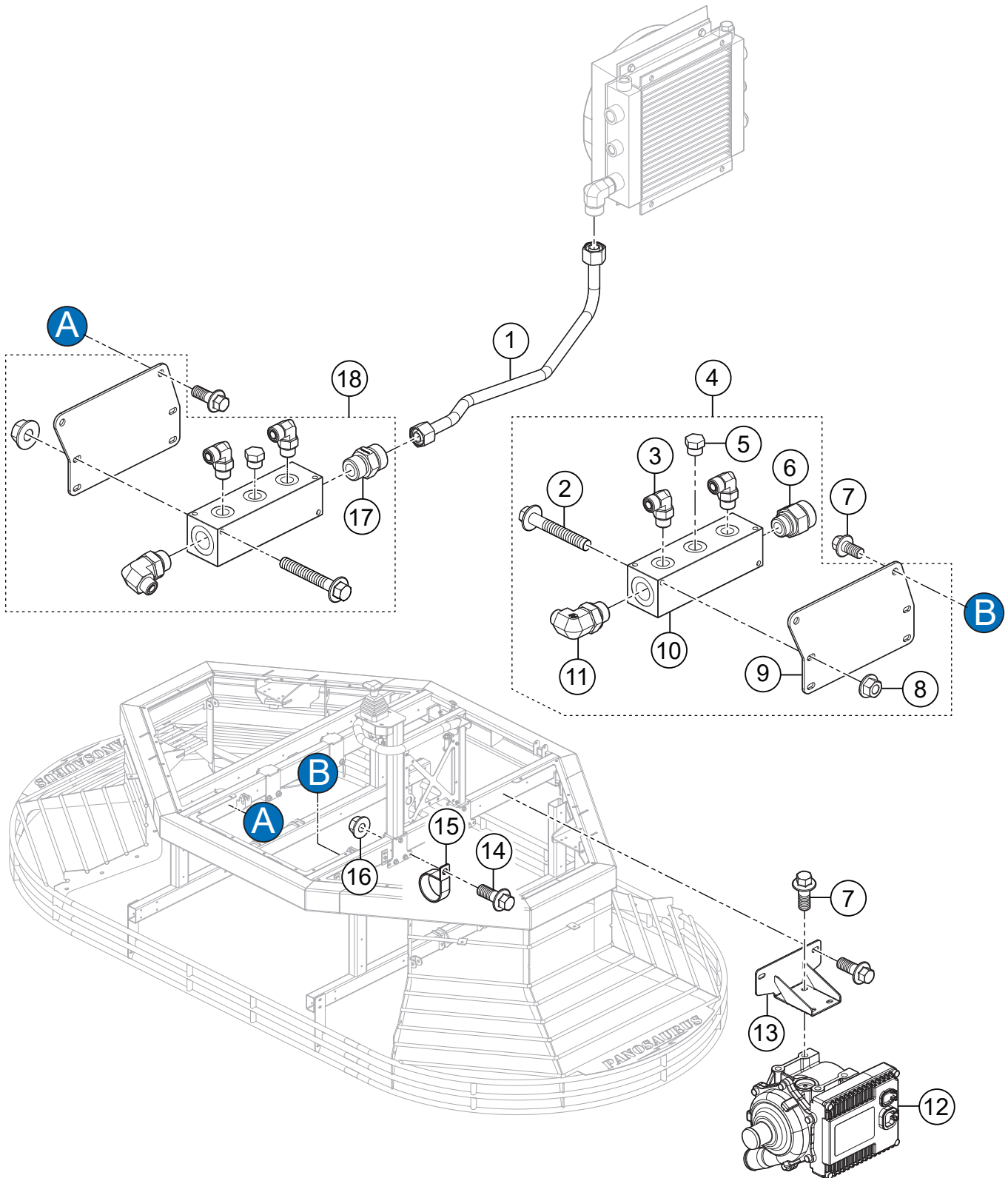
COOLANT TANK AND HEAT EXCHANGERS ASSY.



COOLANT TANK AND HEAT EXCHANGERS ASSY.

<u>NO.</u>	<u>PART NO.</u>	<u>PART NAME</u>	<u>QTY.</u>	<u>REMARKS</u>
1	45085	HEAT EXCHANGER ASSY., RH.....	1	INCLUDES ITEMS W/@
2@#	45593	FITTING, 90, 8MO X 4BARB	2	
3@#	22021	SCREW, HEX FLANGE M8-1.25 X 20MM GR10.9	8	
4@#	60067	HOSE .25 ID X .375 OD BRAIDED PVC (0.82 FT)	1	1 PC = 1 FT
5@#	45594	FITTING 45, 12MORFS X 10MORB	2	
6@#	19473	CLAMP, HOSE WORM #2	8	
7@#	23076	CHECK VALVE, 3/16" DUCKBILL	7	
8@#	23802	NUT, HEX FLANGE M8-1.25 SERRATED	8	
9@#	45358	COLD AIR DUCT, COOLER INLET	2	
10@#	21597	BUMPER, STEM 1.0"D X 0.5S X 0.31	2	
11@	43847	COOLER MOUNT, ELEC. COOLING, RH	1	
12@	42940	FITTING, 90 12MORFS X 10MOR	1	
13@#	5016 B	FITTING, PLUG 3/8MP HEX SKT HD	4	
14@#	32468	FITTING, PLUG - ORING - 10	2	
15@#	42648	HEAT EXCHANGER, HYDRAULIC, TIER 4	2	
16	60001	HOSE, .375 OD X .25 ID CLEAR PVC	1	
17	45213	COOLER CROSSOVER HARD TUBE	1	
18	45086	HEAT EXCHANGER ASSY., LH	1	INCLUDES ITEMS W/#
19#	45132	CYCLONE, HYDRAULIC RESERVOIR 8 GPM.....	1	INCLUDES ITEMS W/%
19A#%	45132-01	RESERVOIR CAP	1	
20#	45645	CAP, 8GPM CYCLONE, DRAIN	1	
21#	42342	SCREW, HHFS, M8-1.25 X 16 GR 8.8	4	
22#	42941	FITTING, STR 8MORFS X 10MOR	1	
23#	43580	FITTING, -10 MORB TO -16MORFS	1	
24#	43848	COOLER MOUNT, ELEC. COOLING, LH	1	
25#	42496	NUT, BLIND, HEX, M6-1.0 X 0.7 - 4.2 GRIP	4	
26#	45528	HOSE ASSY., 0.5ID X 23", 8FORSSTR X 8FORFS45	1	
27#+	45637	FITTING, 90, 3/4MP X -8MORFS	1	
28#+	16346	FITTING, STR 3/4MP X 1 MP	1	
29#+	45628	BOTTLE, COOLANT FILL, 4QT	1	
30#	42542	SCREW HHFS M6-1.0 X 16	4	
31#+	45529	SENSOR, HORIZONTAL FLUID LEVEL	1	
32#+	45724	GROMMET, HORIZONTAL FLUID SENSOR	1	
33#+	19633	BUSHING, RUBBER FUEL	2	
34#+	43975	FITTING, 90 -3 BARB X THR TNK PUP 3" EXT.	2	
35#	45629	TANK ASSY., COOLANT FILL, DRV. SYS.	1	INCLUDES ITEMS W/+

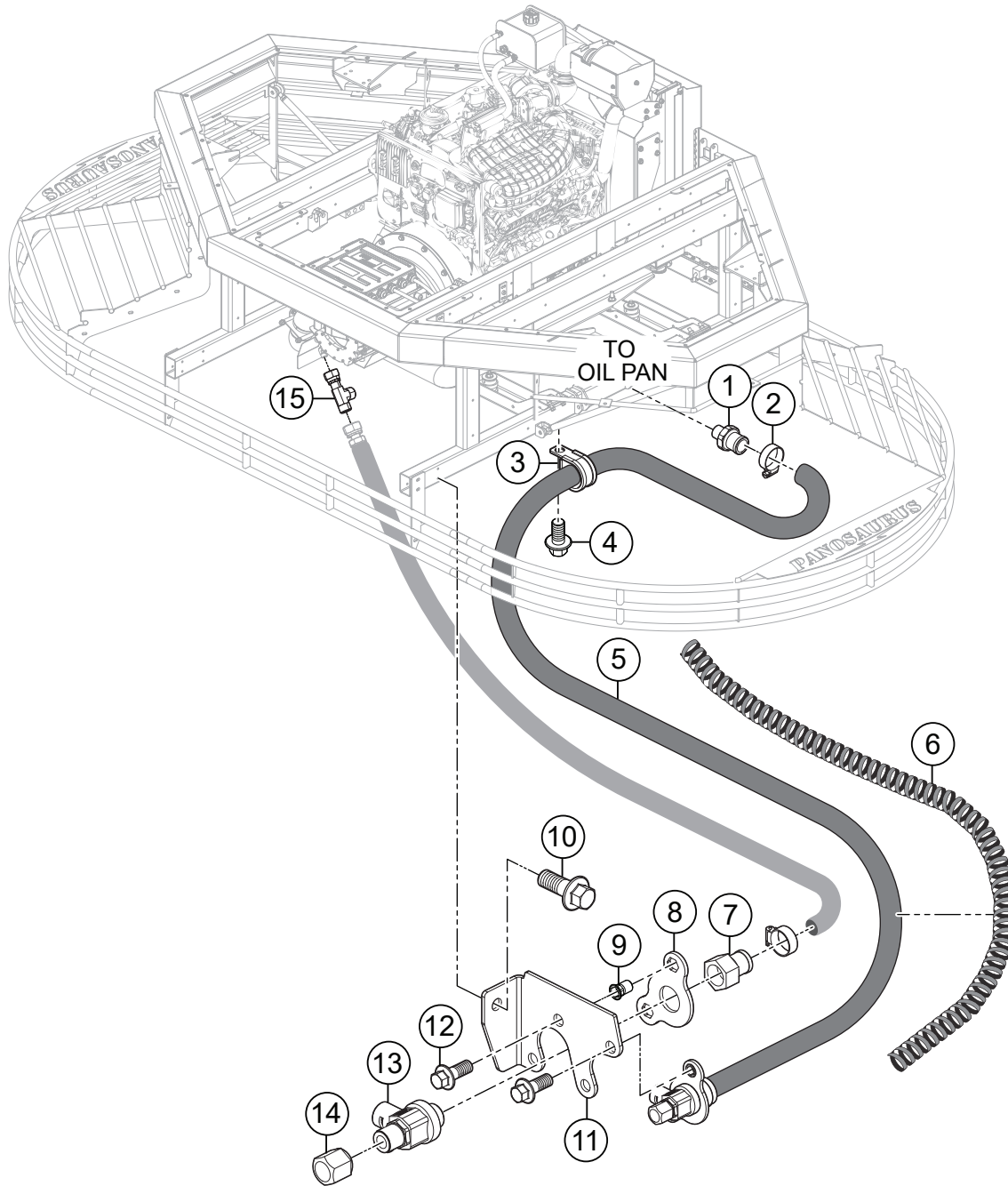
COOLANT PUMP AND MANIFOLDS ASSY.



COOLANT PUMP AND MANIFOLDS ASSY.

<u>NO.</u>	<u>PART NO.</u>	<u>PART NAME</u>	<u>QTY.</u>	<u>REMARKS</u>
1	45211	RIGHT COOLER TO MANIFOLD TUBE	1	
2@#	42929	SCREW, HHFS M6-1.0 X 65	4	
3@#	32718	FITTING, 90 8MORFS X 8MOR	4	
4	43965	DIST. BLOCK, COOLING - LH, ELEC. DRIVE.....	1	INCLUDES ITEMS W/@
5@#	368655	FITTING, PLUG 8MO	2	
6@	45597	FITTING, STR 16MORFS X 12MO	1	
7	22021	SCREW, HEX FLANGE M8-1.25 X 20MM GR10.9	10	
8@#	42352	NUT, HEX, SERRATED-FLANGE, M6-1.0	4	
9@#	45097	MOUNT, COOLANT MANIFOLD	2	
10@#	45131	MANIFOLD .5 PORT HEADER	2	
11@#	32712	FITTING, 90 8MORFS X 12MOR	2	
12	43438	PUMP, ELECTRIC DRIVE COOLANT	1	
13	45339	BRACKET, WATER PUMP MOUNT	1	
14	42343	SCREW, HFS, ZP, M8-1.25 X 20, CLASS 8.8	1	
15	59017	CLAMP, CUSHIONED LOOP, 2.16" DIA X .53	1	
16	23802	NUT, HEX FLANGE M8-1.25 SERRATED	1	
17#	32343	FITTING, STR -12MORFS X -12MOR	1	
18	43966	RH DIST. BLOCK, ELEC. DRIVE COOLING	1	INCLUDES ITEMS W/#

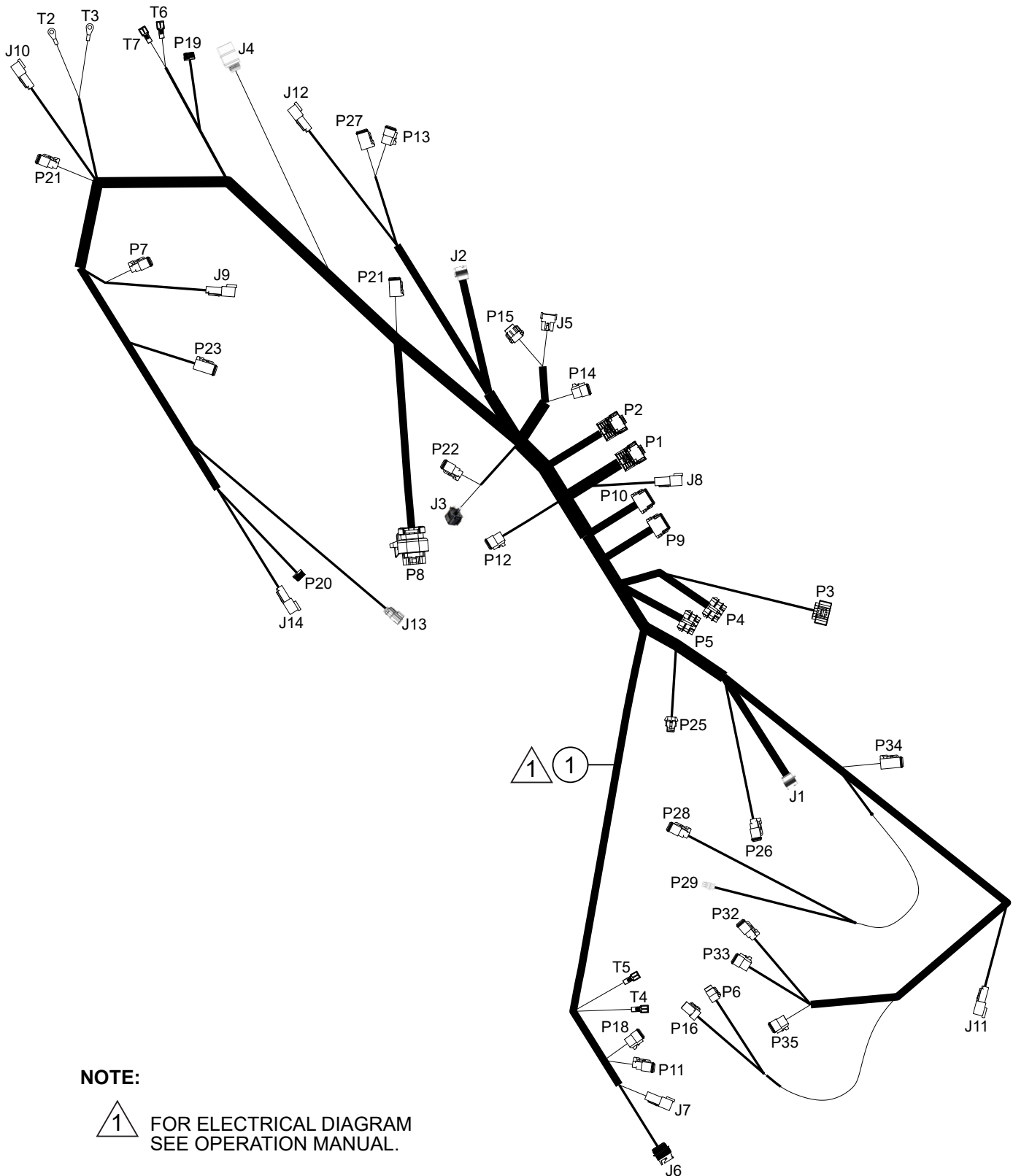
FLUID DRAIN VALVES ASSY.



FLUID DRAIN VALVES ASSY.

<u>NO.</u>	<u>PART NO.</u>	<u>PART NAME</u>	<u>QTY.</u>	<u>REMARKS</u>
1	45499	ADAPTOR, M12-1.75 TO BARB OIL PAN	1	
2	15538	CLAMP, HOSE WORM #6	3	
3	35026	CLAMP, LOOM CUSHIONED #18	1	
4	42340	SCREW, HHFS M10-1.5 X 35 GR 8.8	1	
5	60169	HOSE, OIL DRAIN, .625 ID, 300F (3.7 FT.).....	4.....	1 PC = 1 FT
6	60125-12	PROTECTOR, SPIRAL WRAP, HI-TEMP, 0.83 I.D. (1 FT.)	1.....	1 PC = 1 FT
7	42640	ADAPTOR, M18-1.5 FEMALE TO 5/8 BARB	2	
8	42641	TAB, OIL DRAIN MOUNT	2	
9	42496	RIVNUT FASTENER, HALF HEX LONG FLNG M6 X 1	4	
10	22021	SCREW, HEX FLANGE M8-1.25 X 20MM GR10.9	1	
11	45332	FLUID DRAIN MOUNT	1	
12	42542	SCREW, HHFS M6-1.0 X 16	4	
13	42563	VALVE, OIL DRAIN 18MM	2	
14	10491	FITTING, CAP 3/8NPT HEX HEAD	2	
15	43502	FITTING, RUN TEE, 08 MFS 08 FFS 8 MFS	1	

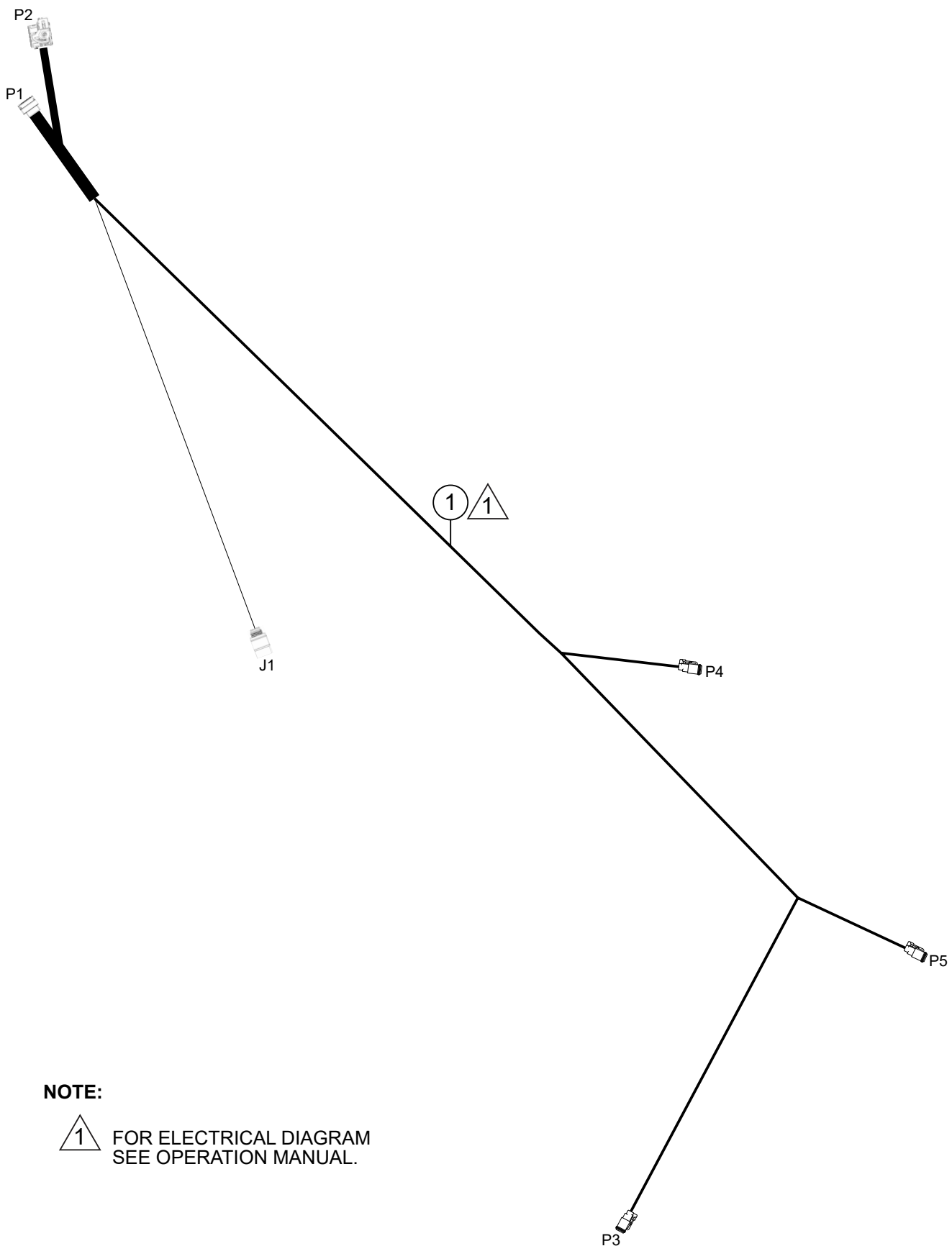
HARNESS ASSY. (MAIN)



HARNES ASSY. (MAIN)

<u>NO.</u>	<u>PART NO.</u>	<u>PART NAME</u>	<u>QTY.</u>	<u>REMARKS</u>
1	45256	MAIN HARNES, PRX	1	

HARNESS ASSY. (LEFT)



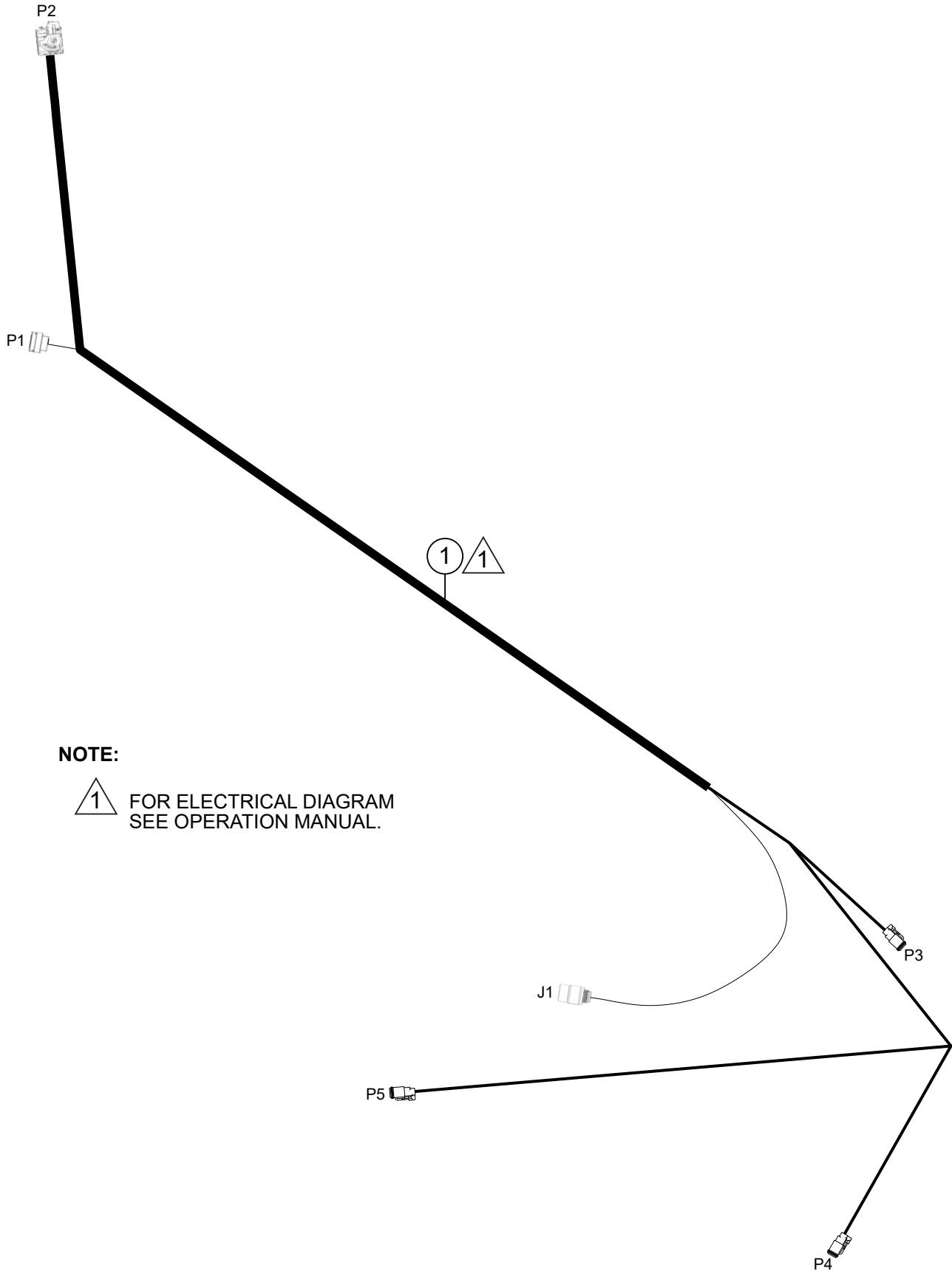
NOTE:

 FOR ELECTRICAL DIAGRAM
SEE OPERATION MANUAL.

HARNESS ASSY. (LEFT)

<u>NO.</u>	<u>PART NO.</u>	<u>PART NAME</u>	<u>QTY.</u>	<u>REMARKS</u>
1	45258	HARNESS, LEFT, PRX	1	

HARNESS ASSY. (RIGHT)



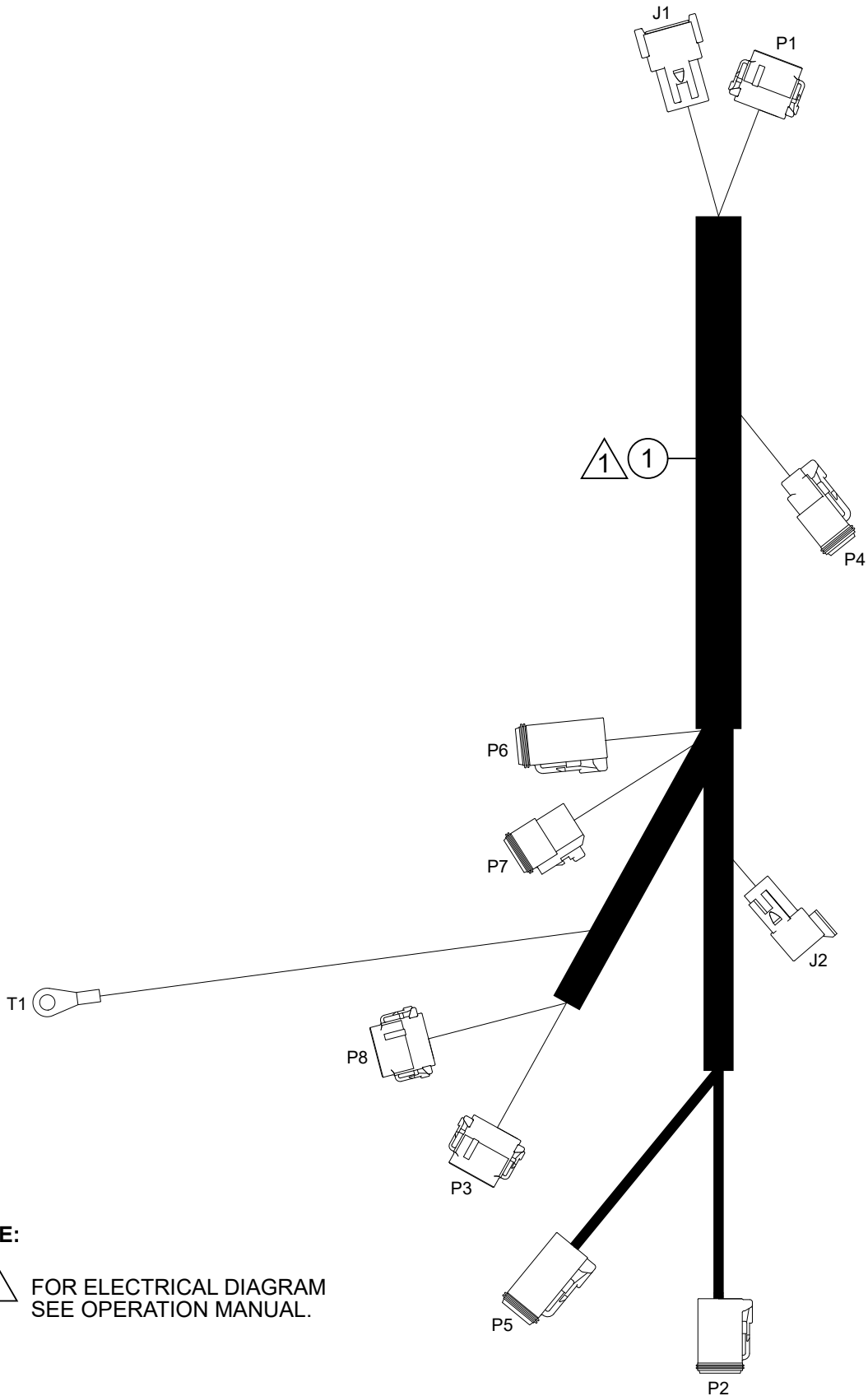
NOTE:

 FOR ELECTRICAL DIAGRAM
SEE OPERATION MANUAL.

HARNESS ASSY. (RIGHT)

<u>NO.</u>	<u>PART NO.</u>	<u>PART NAME</u>	<u>QTY.</u>	<u>REMARKS</u>
1	45257	HARNESS, RIGHT, PRX	1	

HARNESS ASSY. (CONSOLE)



NOTE:

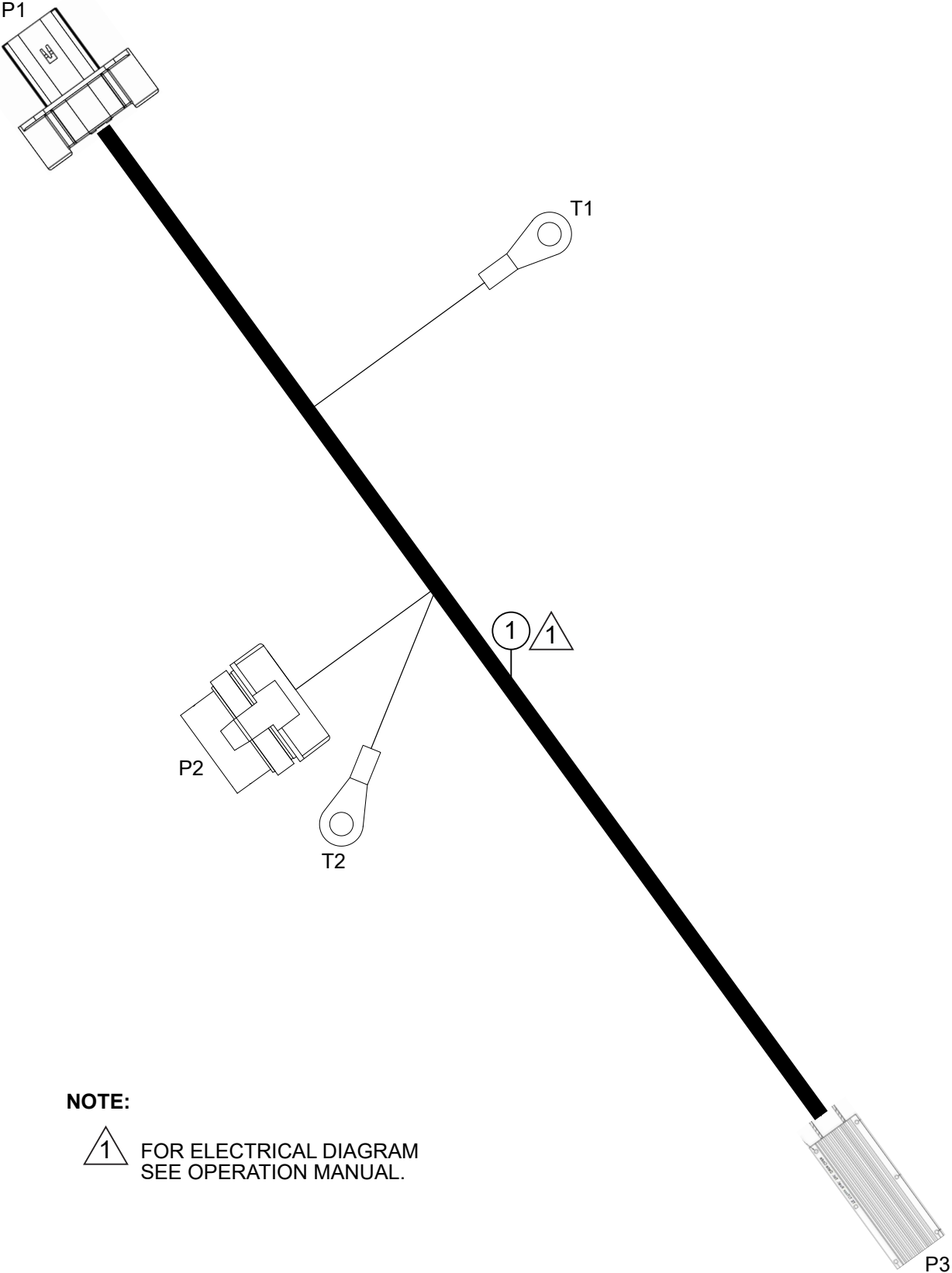


FOR ELECTRICAL DIAGRAM
SEE OPERATION MANUAL.

HARNESS ASSY. (CONSOLE)

<u>NO.</u>	<u>PART NO.</u>	<u>PART NAME</u>	<u>QTY.</u>	<u>REMARKS</u>
1	45257	HARNESS, RIGHT, PRX	1	

HARNESS ASSY. (ENERGY STORAGE BANK)



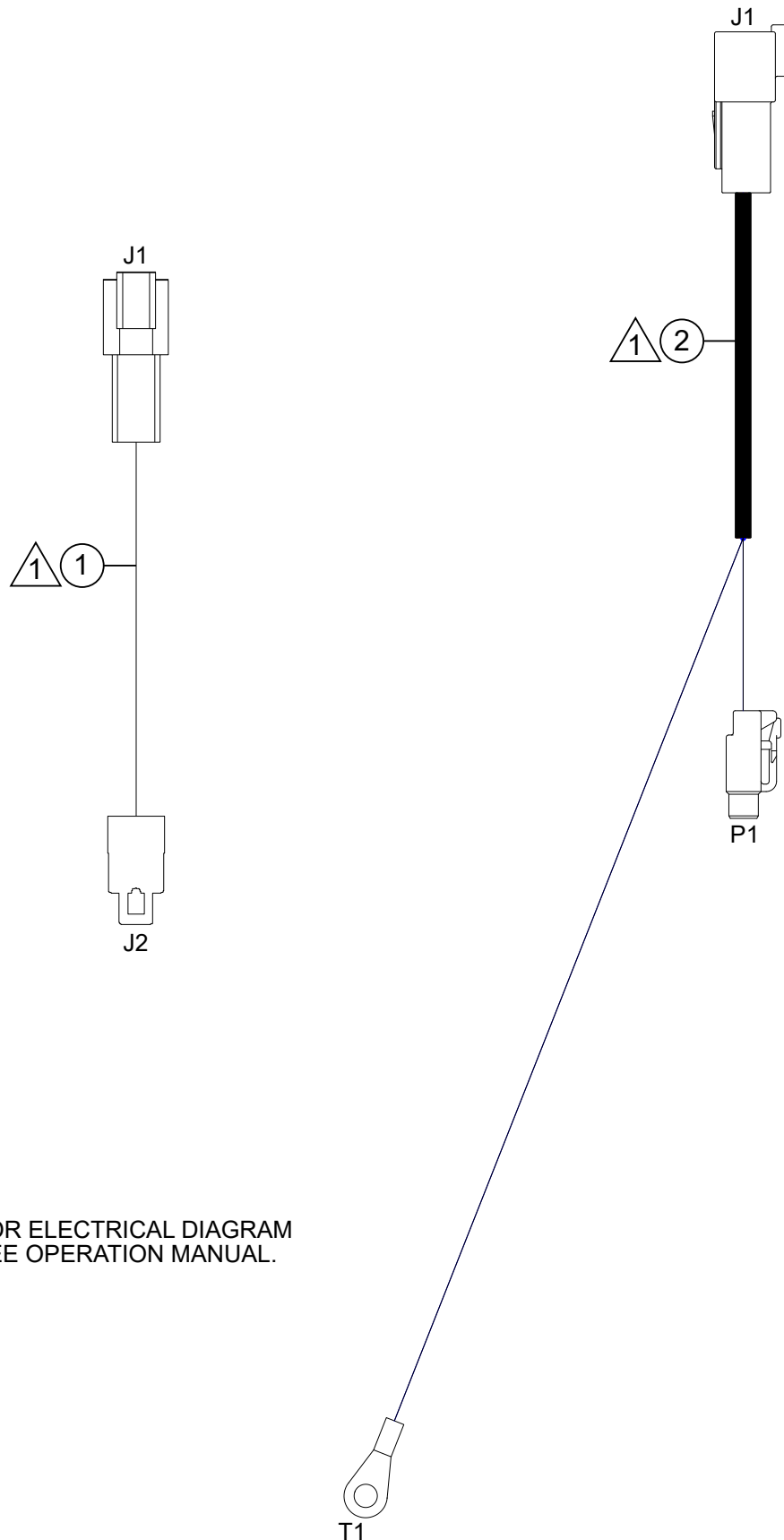
NOTE:

 FOR ELECTRICAL DIAGRAM
SEE OPERATION MANUAL.

HARNES ASSY. (ENERGY STORAGE BANK)

<u>NO.</u>	<u>PART NO.</u>	<u>PART NAME</u>	<u>QTY.</u>	<u>REMARKS</u>
1	45309	HARNES, CAP BOX	1	

HARNESS ASSY. (SEAT SWITCH AND FUEL TANK)



NOTE:

 FOR ELECTRICAL DIAGRAM
SEE OPERATION MANUAL.

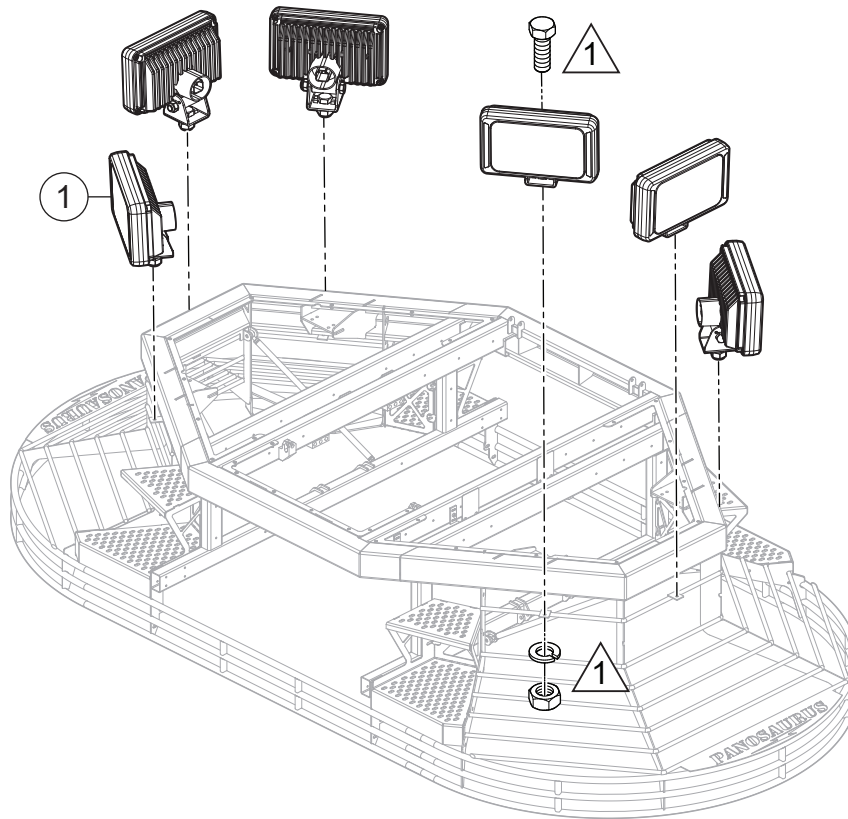
HARNESS ASSY. (SEAT SWITCH AND FUEL TANK)

<u>NO.</u>	<u>PART NO.</u>	<u>PART NAME</u>	<u>QTY.</u>	<u>REMARKS</u>
1	22796	HARNESS, SEAT SW	1	
2	45354	HARNESS, FUEL TANK, PRX	1	

BATTERY ASSY.

<u>NO.</u>	<u>PART NO.</u>	<u>PART NAME</u>	<u>QTY.</u>	<u>REMARKS</u>
1	42902	CABLE, NEG. BAT., 6GA, 44 IN.	1	
2	45261	CABLE, NEG. BAT., BK. 37", 1 GA	1	
3	43785	BATTERY STRAP 7.25"	1	
4	20194	KIT, BATTERY J-BOLTS, 8"	1	
5	15226	SCREW, HFS, M8-1.25 X 25	2	
6	43781	BATTERY MOUNT	1	
7	404006	BATTERY, SEALED, GROUP 34M STARTING	1	
8	45306	CABLE, NEG. BAT., BK. 31", 6 GA	1	
9	43366	CABLE, BATTERY, POSITIVE	1	
10	42343	SCREW, HFS, ZP, M8-1.25 X 20, CLASS 8.8	1	
11	2762	BOOT, TERMINAL	1	
12	45260	CABLE, POS. BAT., RD. 38", 6 GA	1	

LIGHTS ASSY.



NOTE:

 MOUNTING HARDWARE IS INCLUDED WITH ITEM #1.

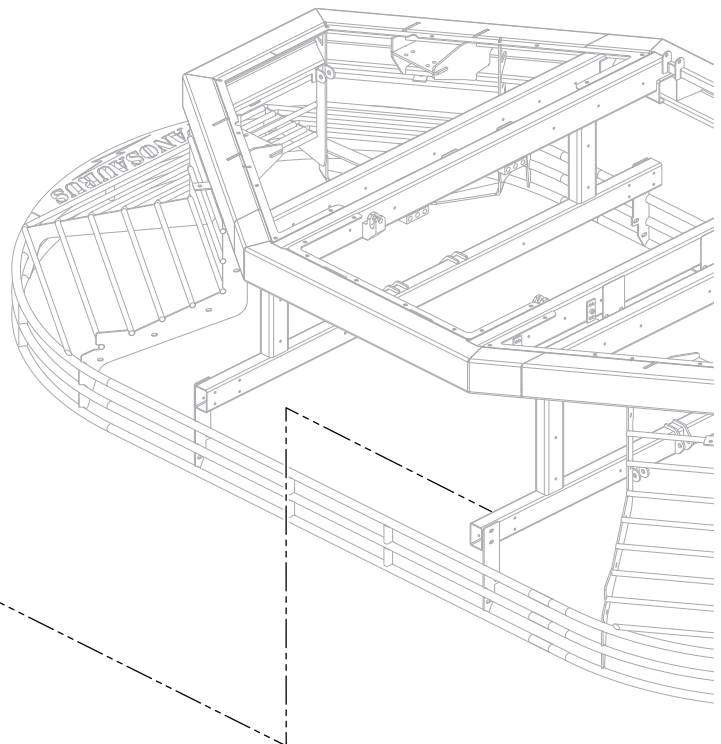
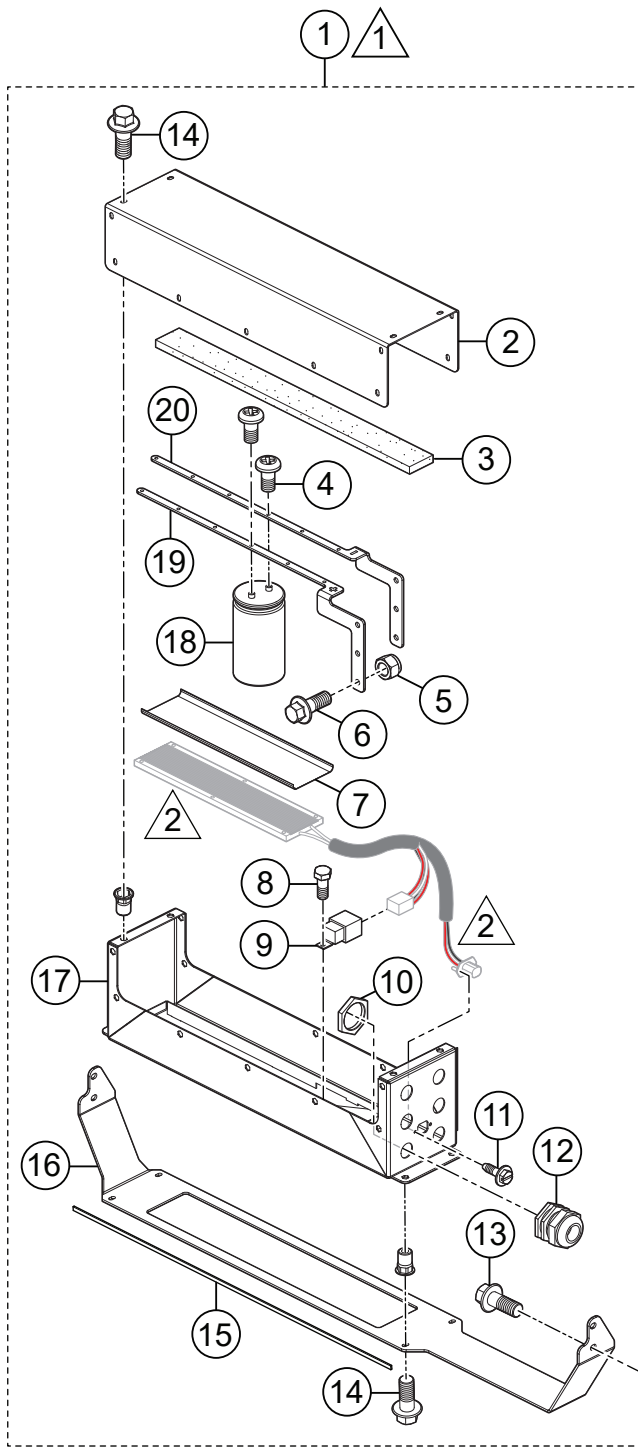
LIGHTS ASSY.

<u>NO.</u>	<u>PART NO.</u>	<u>PART NAME</u>	<u>QTY.</u>	<u>REMARKS</u>
1	42263	LIGHT, LED 20W 6 EMITTERS 60°	6	

ELECTRICAL PANEL ASSY.

<u>NO.</u>	<u>PART NO.</u>	<u>PART NAME</u>	<u>QTY.</u>	<u>REMARKS</u>
1	32832	FITTING, STR -4FJ X -4FP	1	
2	32826	HOSE ASSY., 1/4" ID LPG X 20.50", 2X 1/4MP	1	
3	42200	VALVE, PRESSURE RELIEF-LP	1	
4	42322	FILTER, PROPANE IN-LINE	1	
5	43047	HOSE ASSY., 1/4" ID LPG X 44.5", 2X 1/4MP	1	
6	35025	CLAMP, LOOM CUSHIONED #12	1	
7	42542	SCREW, HHFS M6-1.0 X 16	1	
8	30007	CONNECTOR, FORKLIFT PROPANE TANK, FEMALE	1	
9	42140	MODULE, POWER RELAY	1	
10	2762	BOOT, TERMINAL	2	
11	22725-600	FUSE, 60 AMP J CASE	1	
12	22725-300	FUSE, 30 AMP J CASE	1	
13	42339	SCREW, HHC, M6-1.0 X 60MM, CLASS 8.8, ZP	1	
14	42347	SCREW, HFS, ZP, M6-1.0 X 30, CLASS 8.8	4	
15	8128	CLAMP, HOSE SUPPORT 5/16"	2	
16	35299	SCREW, PHP M4-0.7 X 25MM	2	
17	45357	MVEC POWER DISTRIBUTION MODULE (CAN)	1	
18	49163	NUT, BLIND M4-1.0 X .020-.08 GRIP	2	
19	49071	NUT, HFS, 5/16-18	2	
20	42713	BUSS BAR, DEUTSCH STYLE, 24 PIN	1	
21	42315	TIE, CABLE ASSY., FIR TREE MOUNT AND CABLE	3	
22	45274	PORT, ETHERNET COMMUNICATION	1	
23	10790	SCREW, HHC M6-1.0 X 30MM PLT	4	
24	43411	CONTROLLER, PARKER MC43	1	
25	42496	NUT, BLIND, HEX, M6-1.0 X 0.7 - 4.2 GRIP	10	
26	45269	ELECTRICAL PANEL WELDMENT	1	

ENERGY STORAGE BANK ASSY.



NOTE:

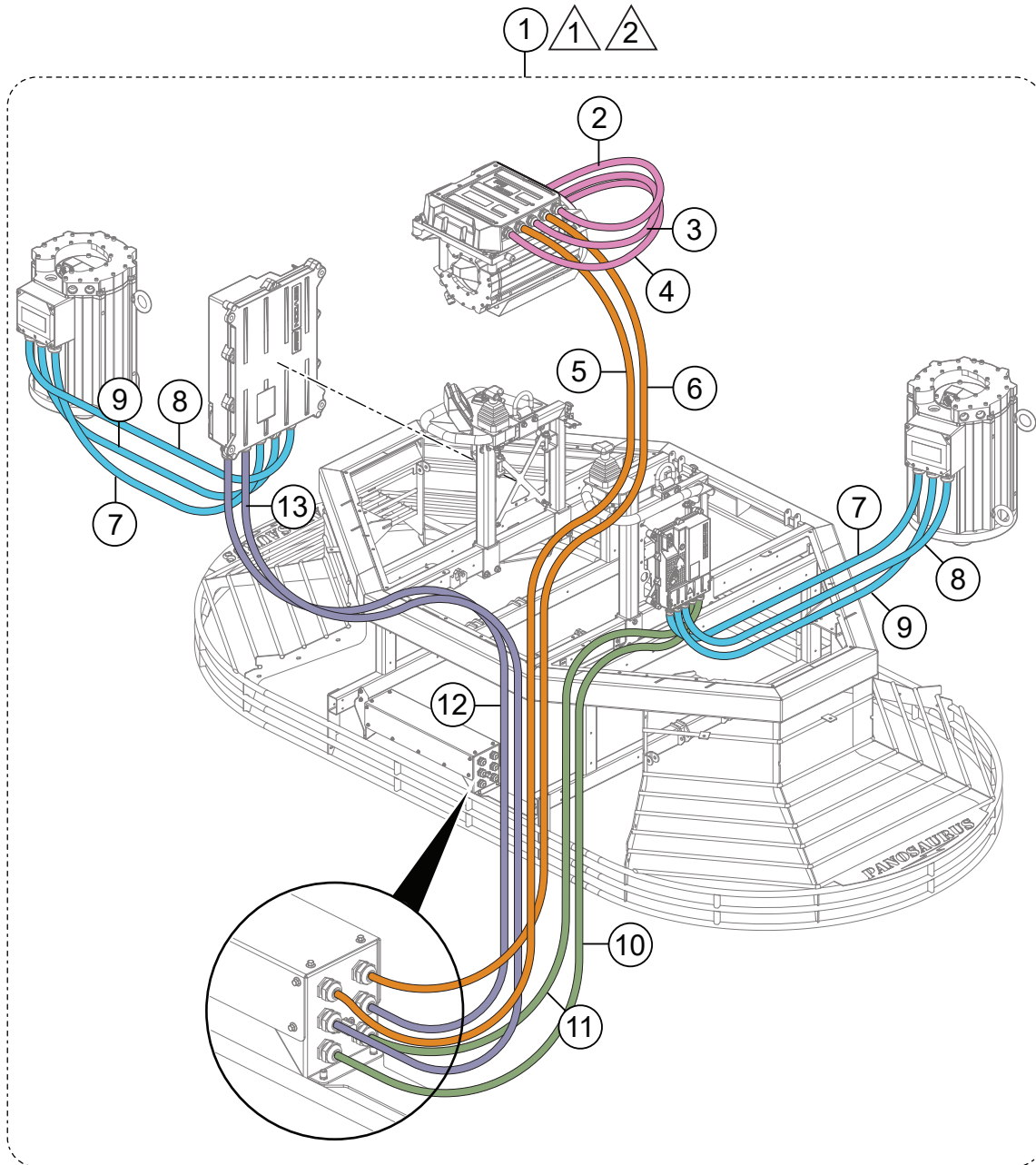
1 **HIGH VOLTAGE!**
CONTACT MQ SERVICE DEPT. FOR ASSISTANCE.

2 SEE HARNESS ASSY.

ENERGY STORAGE BANK ASSY.

<u>NO.</u>	<u>PART NO.</u>	<u>PART NAME</u>	<u>QTY.</u>	<u>REMARKS</u>
1	45145	BANK, ENERGY STORAGE	1	INCLUDES ITEMS W/@
2@	45147	LID, ENERGY STORAGE	1	
3@	60126	FOAM, 2.00" X 0.50" ADHESIVE EPDM (1.81 FT)	2	1 PC = 1 FT
4@	29046	SCREW, PHP 10-32 X 3/8"	12	
5@	42344	NUT, NYLOC, M8-1.25, CLASS 8.8	6	
6@	42342	SCREW, HHFS, M8-1.25 X 16 GR 8.8	6	
7@	60154	TAPE, 4" PTFE COATED GLASS CLOTH	1	
8@	29666	SCREW, HHC M6-1.0 X 10MM	1	
9@	12017	RELAY, KILL	1	
10@	45359	NUT, HEX JAM, M25-1.5	6	
11@	34308	SCREW, HHF SLOT, #10-32 X 5/8", TYPE F, ZP	2	
12@	43780	GLAND, GROUNDED M25 X 1.5 POWER CABLE	6	
13@	22021	SCREW, HEX FLANGE M8-1.25 X 20MM GR10.9	4	
14@	42542	SCREW, HHFS M6-1.0 X 16	22	
15@	60131	TAPE, NEOPRENE FOAM, 1/16 X 1 WIDE (5.58 FT)	6	1 PC = 1 FT
16@	45142	MOUNT, ENERGY STORAGE	1	
17@	45151	CAP. BANK HOUSING	1	
18@	45149	CAPACITOR, ELECTROLYTIC, 4700UF 450VDC	6	
19@	45148-2	BUSBAR, CAPACITOR BANK, LEFT	1	
20@	45148-1	BUSBAR, CAPACITOR BANK, RIGHT	1	

HIGH VOLTAGE POWER CABLES ASSY.



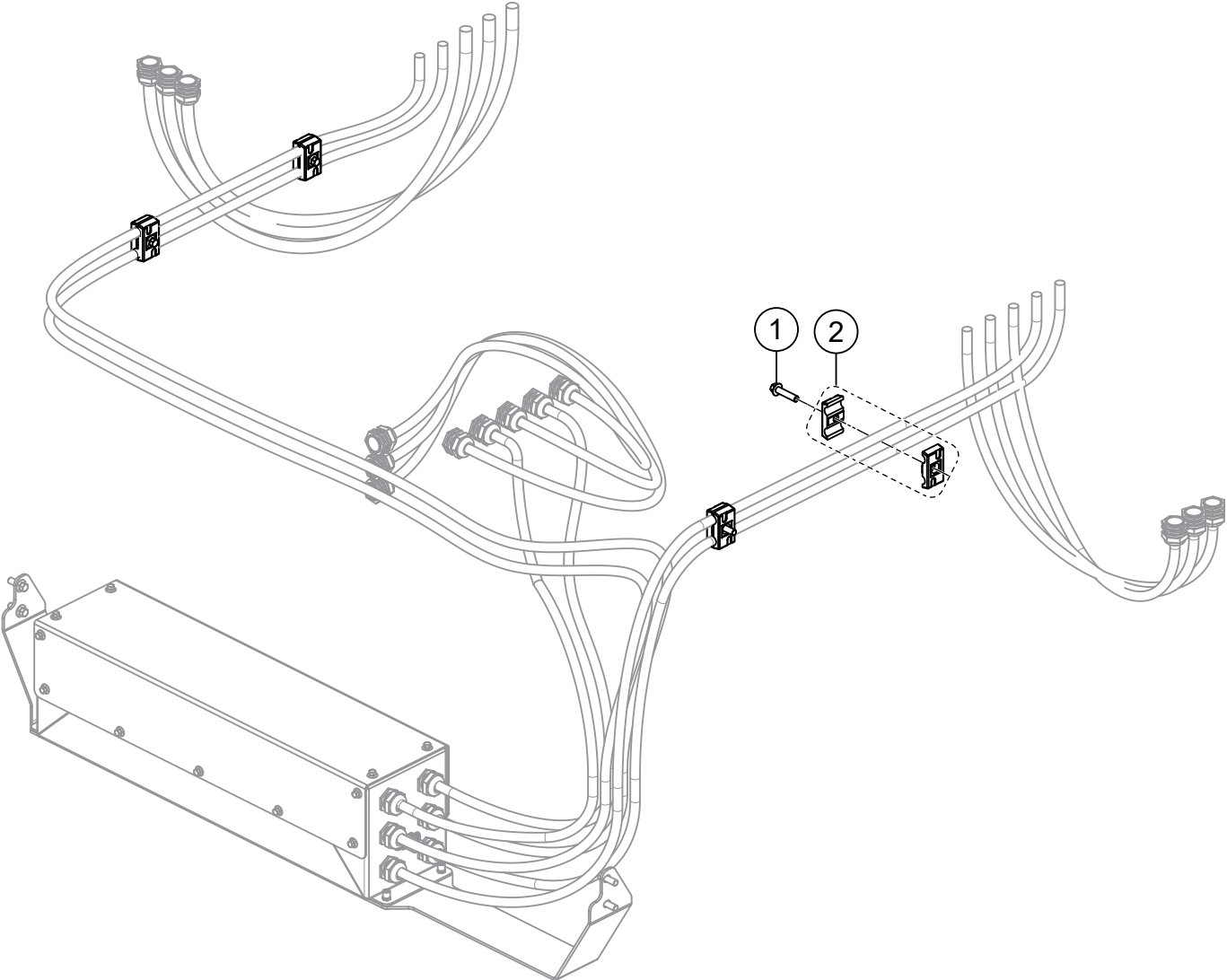
NOTES:

- ① CABLE COLORS SHOWN FOR CLARITY ONLY.
- ② FOR ELECTRICAL SYSTEM DIAGRAM SEE OPERATION MANUAL.

HIGH VOLTAGE POWER CABLES ASSY.

<u>NO.</u>	<u>PART NO.</u>	<u>PART NAME</u>	<u>QTY.</u>	<u>REMARKS</u>
1	45371	CABLE KIT, PRX HIGH VOLTAGE.....	1.....	INCLUDES ITEMS W/@
2@	45313	CABLE, M3 TO C GEN	1	
3@	45312	CABLE, M2 TO B GEN	1	
4@	45311	CABLE, M1 TO A GEN	1	
5@	45314	CABLE, S8 POS TO CAP BOX POS	1	
6@	45350	CABLE, NEG	1	
7@	45353	CABLE, M3 TO PHASE 3 RIGHT	2	
8@	45351	CABLE, M1 TO PHASE1 RIGHT	2	
9@	45352	CABLE, M2 TO PHASE 2 RIGHT	2	
10@	45308	CABLE, LEFT S9 POS TO CAP BOX POS	1	
11@	45316	CABLE, LEFT S9 NEG TO CAP BOX NEG	1	
12@	45310	CABLE, RIGHT S9 NEG TO CAP BOX NEG	1	
13@	45307	CABLE, RIGHT S9 POS TO CAP BOX POS	1	

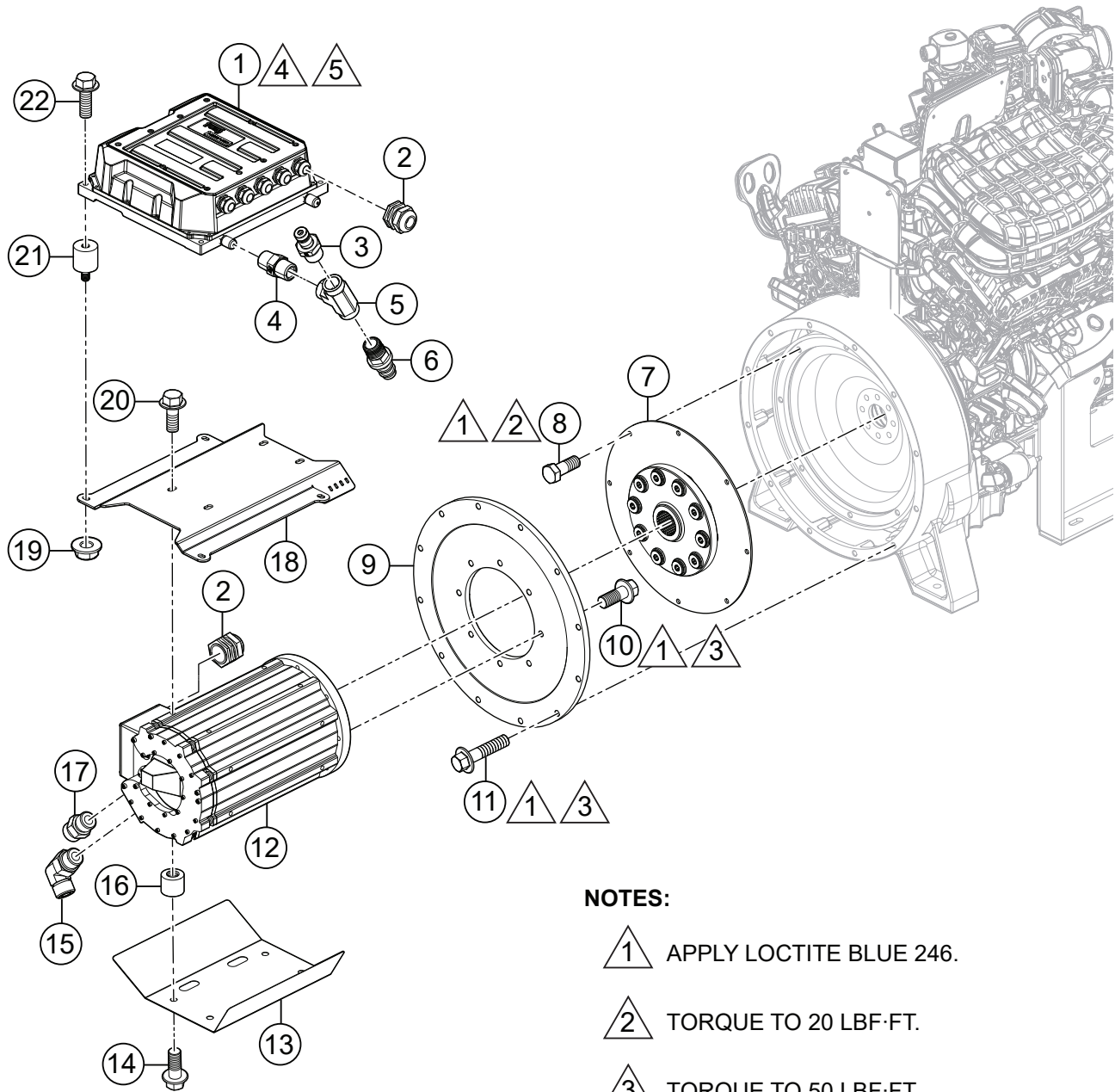
HIGH VOLTAGE CABLE CLAMPS ASSY.



HIGH VOLTAGE CABLE CLAMPS ASSY.

<u>NO.</u>	<u>PART NO.</u>	<u>PART NAME</u>	<u>QTY.</u>	<u>REMARKS</u>
1	42345	SCREW, HFS, ZP, M8-1.25 X 35, CLASS 8.8	4	
2	37420	1/2" CLAMP, BEHRINGER T2050-PP	4	

GENERATOR ASSY.



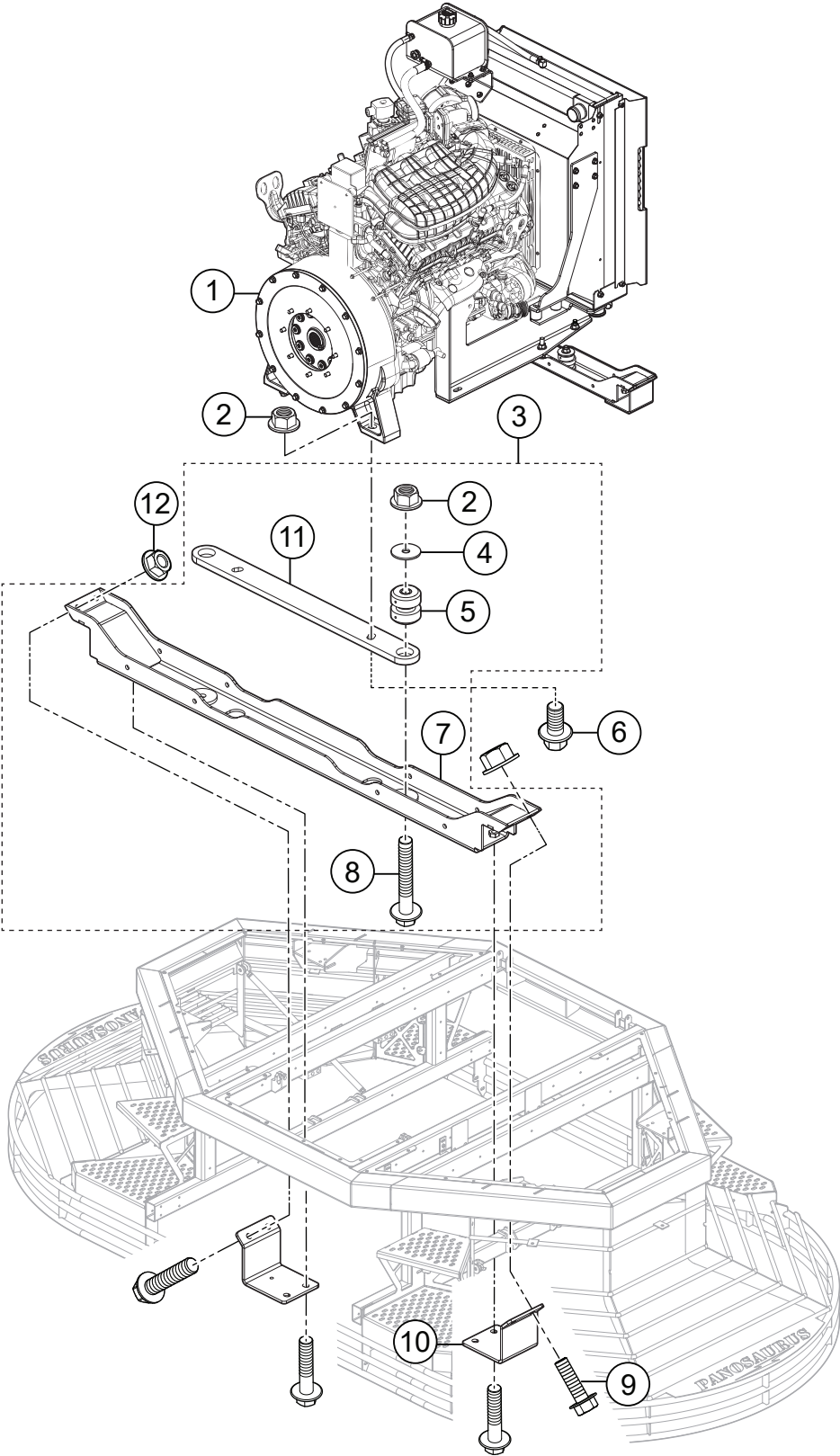
NOTES:

- ▲ 1 APPLY LOCTITE BLUE 246.
- ▲ 2 TORQUE TO 20 LBF·FT.
- ▲ 3 TORQUE TO 50 LBF·FT.
- ▲ 4 TORQUE TO 13 LBF·IN
WHEN REINSTALLING COVER.
- ▲ 5 DO NOT USE POWER TOOLS WHEN
REMOVING/INSTALLING COVER.

GENERATOR ASSY.

<u>NO.</u>	<u>PART NO.</u>	<u>PART NAME</u>	<u>QTY.</u>	<u>REMARKS</u>
1	43318	RECTIFIER, SEVCON 8	1	
2	43780	GLAND, GROUNDED M25X1.5 POWER CABLE	8	
3	43974	FITTING, QD 3/8 MP DIAGN. PD363	1	
4	43914	FITTING, STR 3/8 MP - 3/8 MP	1	
5	366735	FITTING, TEE 3/8FP - 3/8FP - 3/8FP	1	
6	369007	FITTING, BRASS 8 PUSH-ON - 3/8MP	1	
7	45026	ADAPTOR, ENGINE - GENERATOR	1	
8	0205	SCREW, HHC 3/8-16 X 1.0	8	
9	45026	ADAPTOR, ENGINE - GENERATOR	1	
10	32976	SCREW, HFS M10-1.5 X 25 CLASS 10.9	8	
11	42340	SCREW, HHFS M10-1.5 X 35 GR 8.8	8	
12	45276	GENERATOR, GVM 210-200	1	
13	43912	GENERATOR HEAT SHIELD	1	
14	45632	SCREW, HFS M10-1.5 X 20 CLASS 8.8	4	
15	32718	FITTING, 90 8MORFS X 8MOR	1	
16	45634	SPACER, STEEL .687OD X .120W X .443LG	4	
17	32425	FITTING, STR 8MORFS X 8MOR	1	
18	43766	MOUNT, RECTIFIER	1	
19	23802	NUT, HEX FLANGE M8-1.25 SERRATED	4	
20	45715	SCREW, HFS, M10-1.5 X 16, CLASS 8.8	4	
21	43928	ISOLATOR, 1" DIAM. X 1" M8 STUD AND INSE	4	
22	23792	SCREW, HHFS M8-1.25X 30	4	

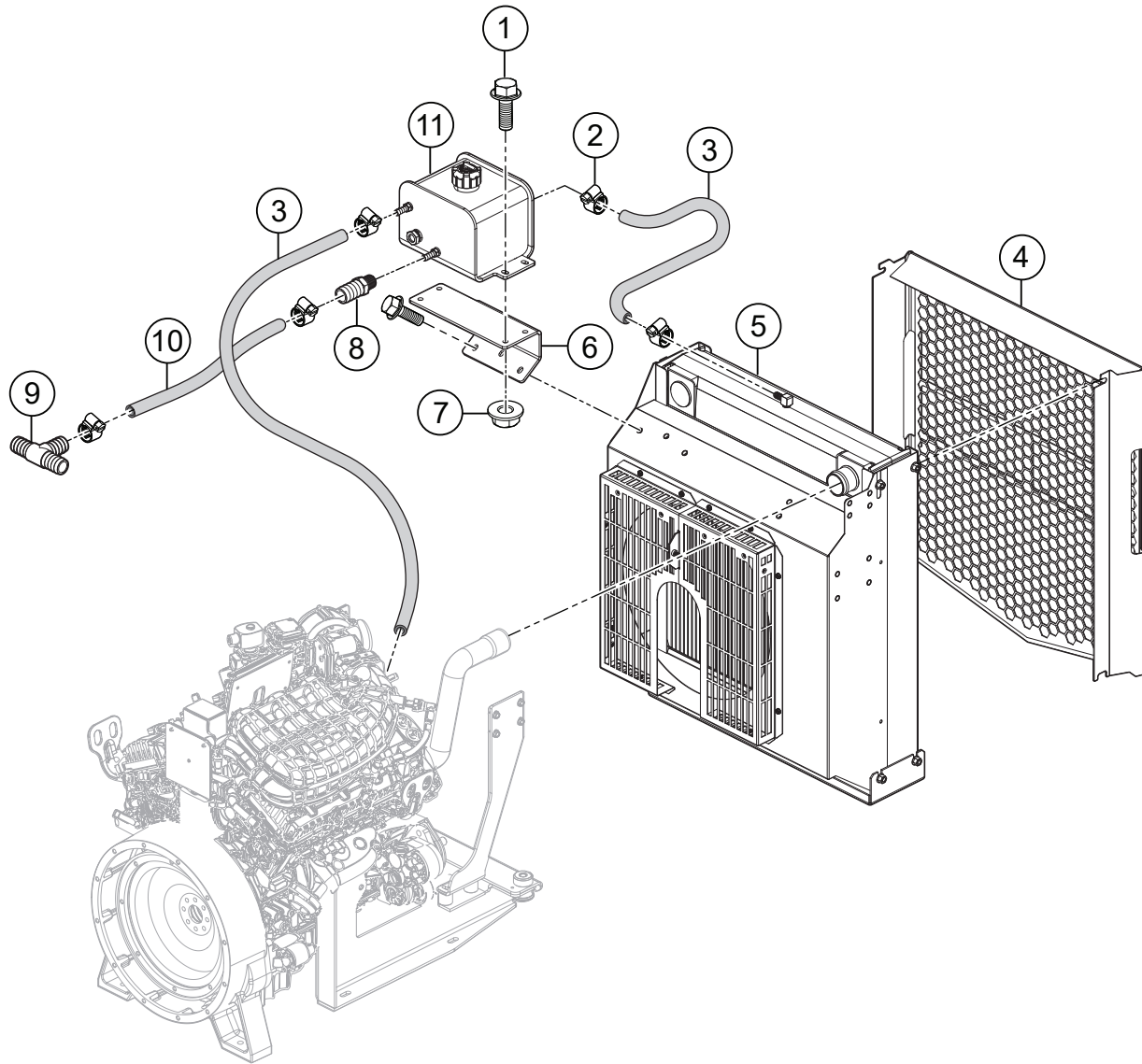
ENGINE MOUNTING ASSY.



ENGINE MOUNTING ASSY.

<u>NO.</u>	<u>PART NO.</u>	<u>PART NAME</u>	<u>QTY.</u>	<u>REMARKS</u>
1	43838	ENGINE, FORD CSG-637	1	
2@	9161	NUT, HEX FLANGED M12-1.75 GR8	8	
3	43969	ENGINE MOUNTING RAIL ASSY.....	2	INCLUDES ITEMS W/@
4@	20743	WASHER, ISO SNUB KROFUND DYN 148099-18	4	
5@	20742	ISOLATOR, RB2 RING/BUSHING	4	
6	45633	SCREW, HFS, M12-1.75 X 50, CLASS 8.8	4	
7@	43856	ENGINE MOUNT WELDMENT, CLAMP ON	2	
8@	9176	SCREW, HHF M12-1.75 X 80MM GR10.9 PATCH	4	
9	34316	SCREW, HHF M10-1.25 X 35	16	
10	43336	CLAMP, GEN 4 DF ENGINE RAIL	4	
11@	43863	ENGINE MOUNT ADAPTER	2	
12	42353	NUT, HEX, SERRATED-FLANGE, M10-1.5	8	

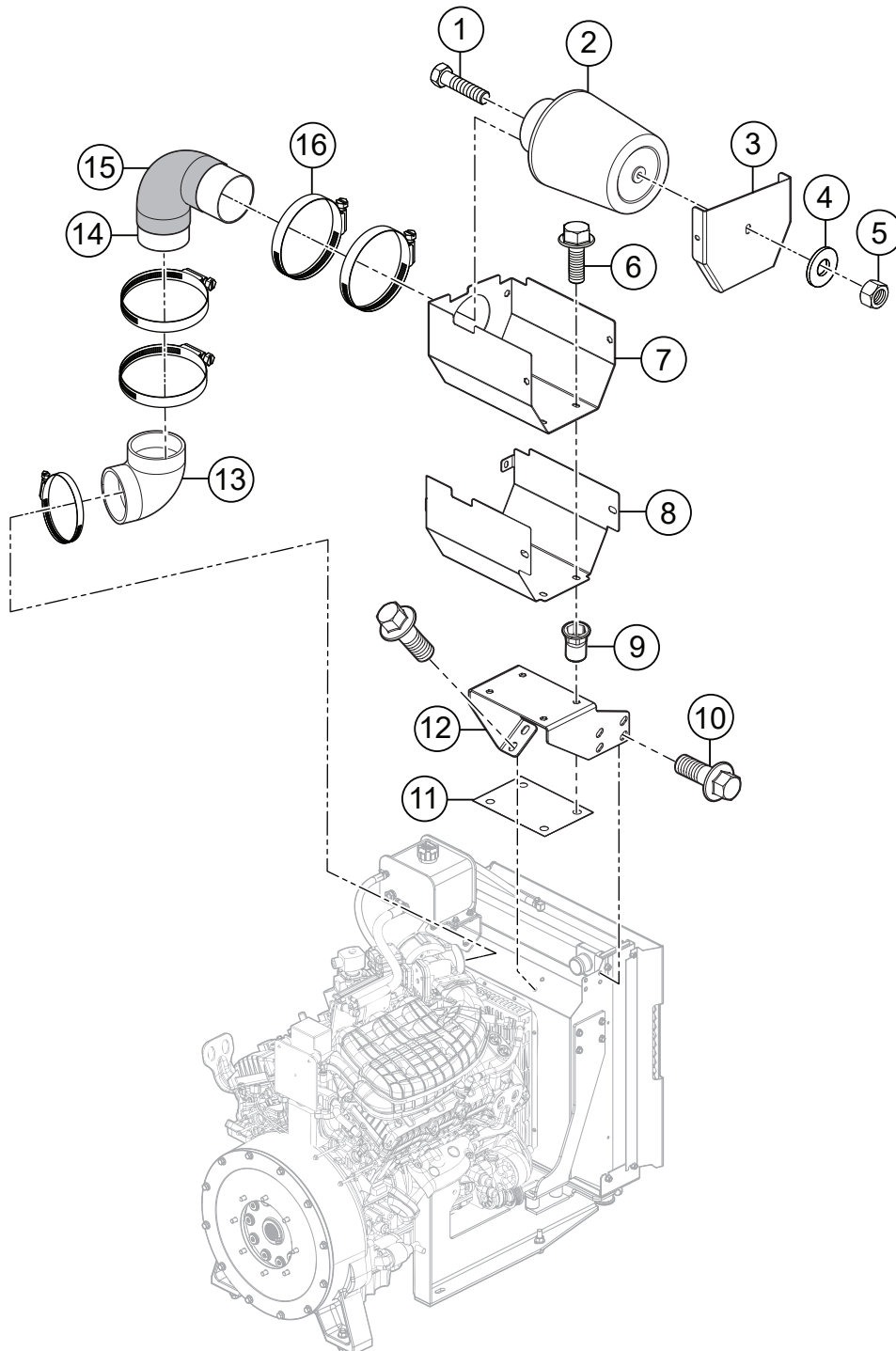
RADIATOR ASSY.



RADIATOR ASSY.

<u>NO.</u>	<u>PART NO.</u>	<u>PART NAME</u>	<u>QTY.</u>	<u>REMARKS</u>
1	42343	SCREW, HFS, ZP, M8-1.25 X 20, CLASS 8.8	7	
2	15538	CLAMP, HOSE WORM # 6	4	
3	30025	HOSE, HOT WATER, .375 DIA, 200 PSI (2.57 FT)	3.....	1 PC = 1 FT
4	45273	SHROUD, RECIRCULATION	1	
5	45621	RADIATOR	1	
6	45622	BRACKET, DEGAS TANK	1	
7	23802	NUT, HEX FLANGE M8-1.25 SERRATED	4	
8	45635	FITTING, STR, -04 MP X -10 BARB, BRASS	1	
9	45636	FITTING, TEE, -10 BARB, BRASS	1	
10	60019	HOSE, COOLANT, 5/8" ID, SAE20R3 (1.75 FT)	2.....	1 PC = 1 FT
11	45623	DEGAS TANK, AL	1	

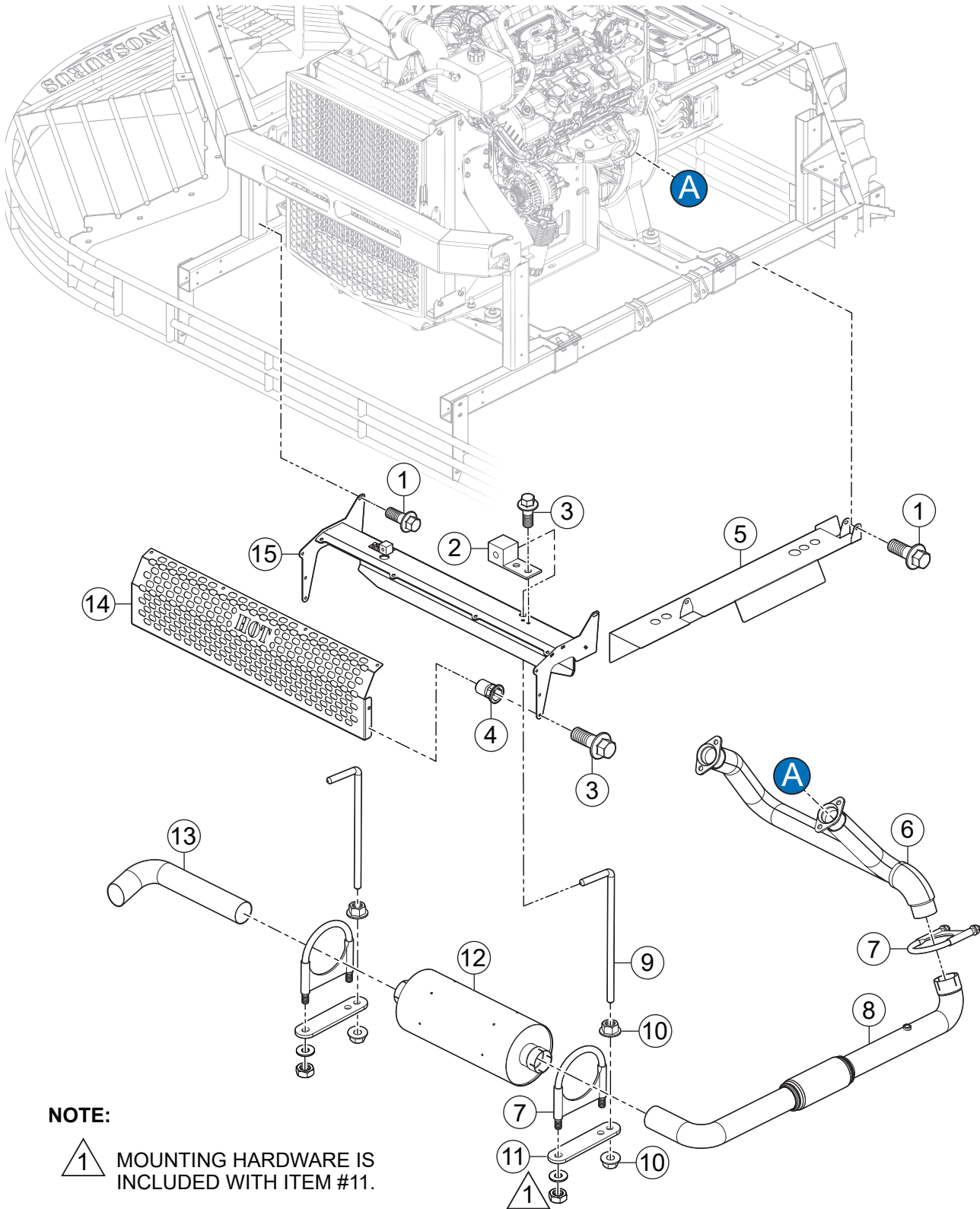
AIR INTAKE ASSY.



AIR INTAKE ASSY.

<u>NO.</u>	<u>PART NO.</u>	<u>PART NAME</u>	<u>QTY.</u>	<u>REMARKS</u>
1	0730	SCREW, HHC 1/4-20 X 1"	1	
2	43839	FILTER, AIR, ENGINE	1	INCLUDESITEMSW/@
3	45611	COVER, AIR BOX	1	
4	0948	WASHER, FLAT SAE 1/4"	1	
5	10024	NUT, NYLOC 1/4-20	1	
6	43724	SCREW, HHFS M6-1.0 X 25MM CLASS 8.8	8	
7	45610	AIR BOX	1	
8	45619	HEAT SHIELD, AIR BOX - RH	1	
9	42496	NUT, BLIND, HEX, M6-1.0 X 0.7 - 4.2 GRIP	8	
10	42342	SCREW, HHFS, M8-1.25 X 16 GR 8.8	6	
11	45630	HEAT SHIELD, AIR BOX BRACKET	1	
12	45612	BRACKET, AIR BOX MOUNT	1	
13	43935	HOSE, 3" 90DEG AIR INTAKE	1	
14	45613	PIPE, INTAKE	1	
15	61028	SLEEVE, FIBERGLASS, HI-TEMP, 3" ID X 0.063W	1	
16@	29218	CLAMP, HOSE WORM #48	5	

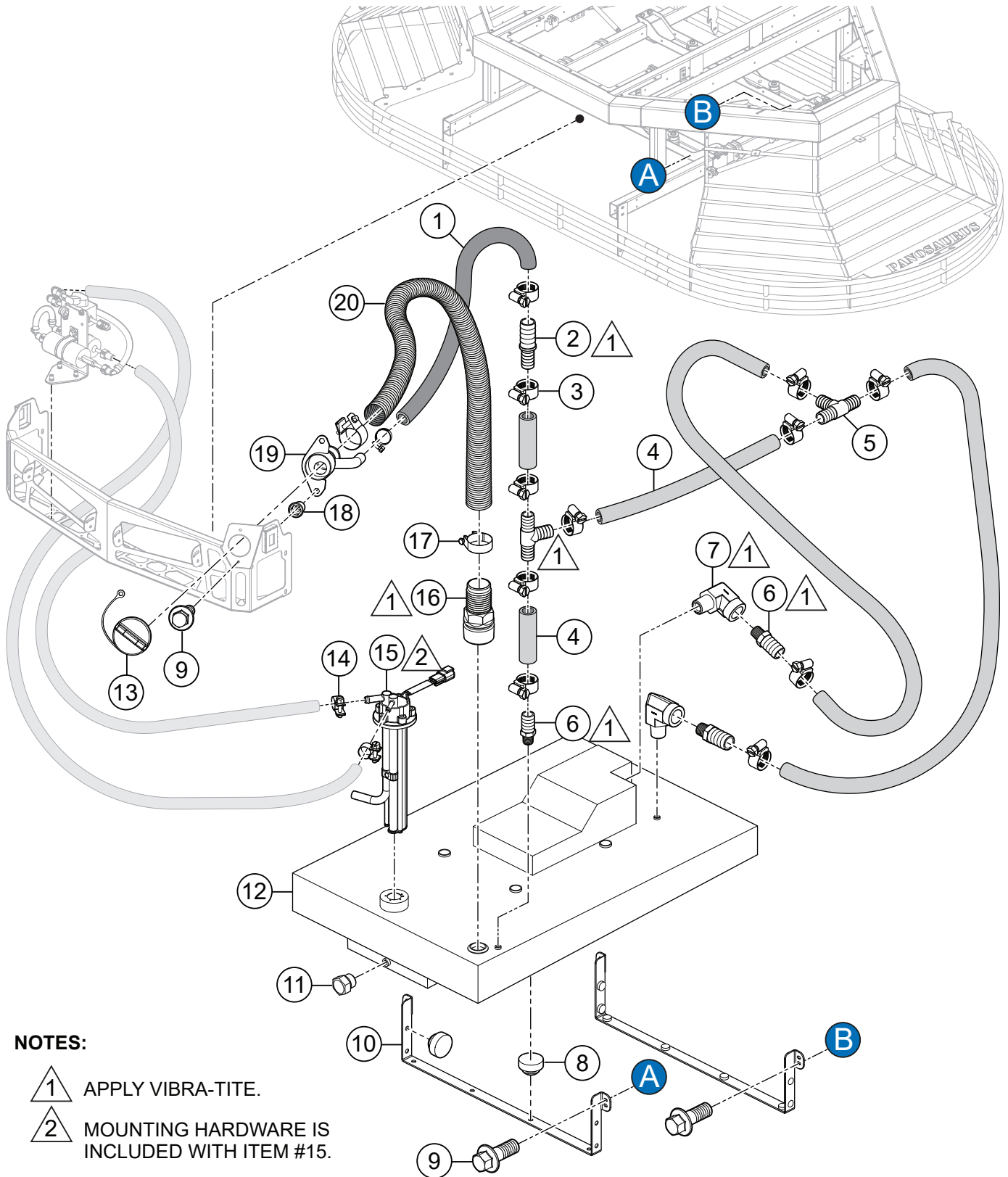
EXHAUST ASSY.



EXHAUST ASSY.

<u>NO.</u>	<u>PART NO.</u>	<u>PART NAME</u>	<u>QTY.</u>	<u>REMARKS</u>
1	42342	SCREW, HHFS, M8-1.25 X 16 GR 8.8	7	
2	45241	EXHAUST HANGER , 3/8" ROD	2	
3	42542	SCREW, HHFS M6-1.0 X 16	12	
4	42496	NUT, BLIND, HEX, M6-1.0 X 0.7 - 4.2 GRIP	12	
5	43936	HEAT SHIELD, MID PIPE	1	
6	43870	EXHAUST, DOWN PIPE	1	
7	EE16745	CLAMP, U-STYLE, ZINC PLATED, HEAVY DUTY, 3"	3	
8	43871	EXHAUST, MID PIPE	1	
9	43968	ROD, EXHAUST HANGER	2	
10	21781	NUT, HFS, 3/8-16	4	
11	43967	BRACKET, EXHAUST MOUNT, 3" U-BOLT	2	
12	43838-09	CAT, CSG637	1	
13	43872	EXHAUST, OUTLET PIPE	1	
14	43876	MUFFLER HEAT SHIELD COVER	1	
15	43782	MUFFLER MOUNT	1	

FUEL TANK ASSY.



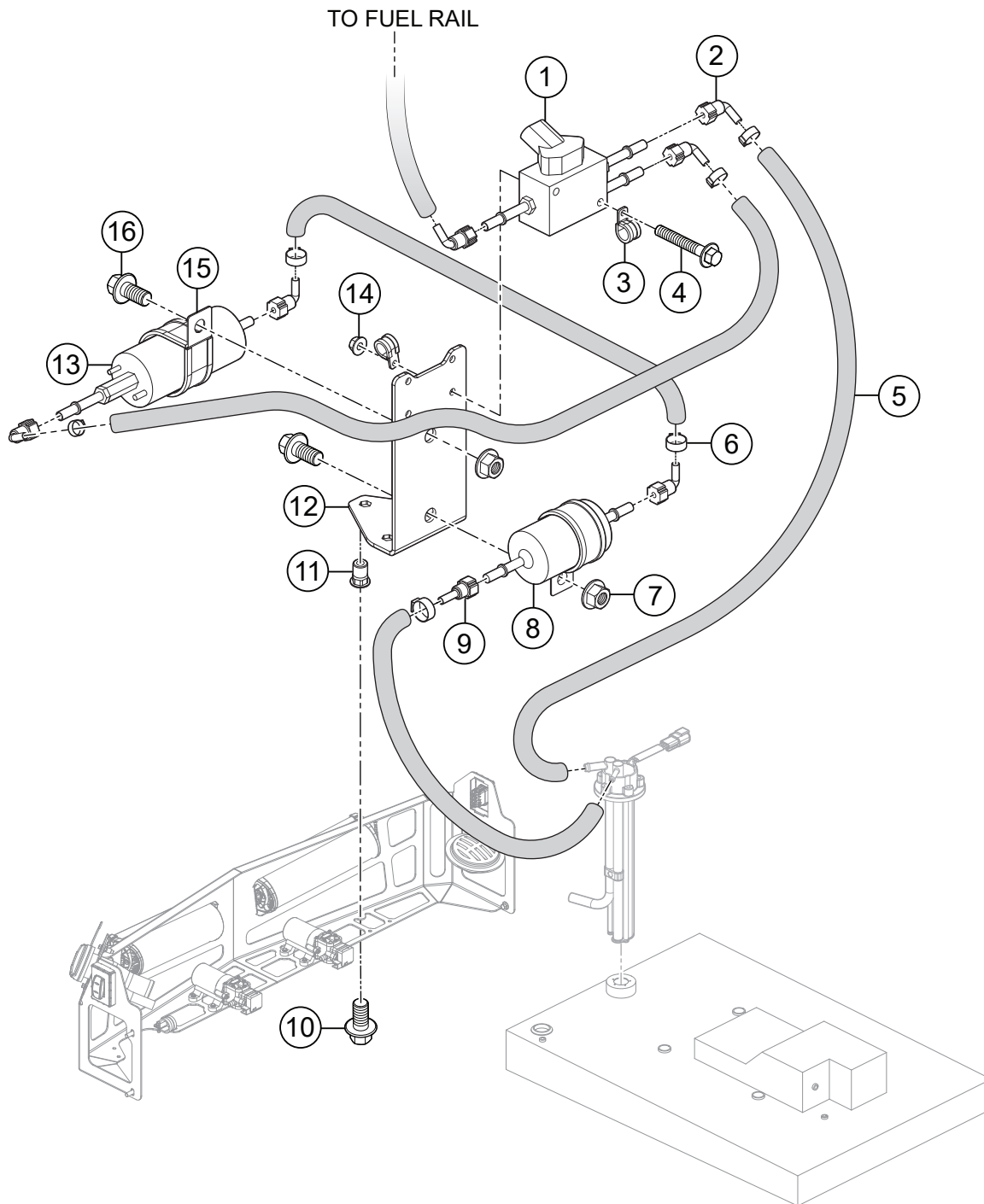
NOTES:

- 1 APPLY VIBRA-TITE.
- 2 MOUNTING HARDWARE IS INCLUDED WITH ITEM #15.

FUEL TANK ASSY.

<u>NO.</u>	<u>PART NO.</u>	<u>PART NAME</u>	<u>QTY.</u>	<u>REMARKS</u>
1	60151	HOSE, 3/4" ID X 1.00" BLACK RUBBER 0.85 FT.....	1.....	1 PC = 1 FT
2	45647	FITTING, STR, -10BARB X -12BARB, BRASS	1	
3	3333	CLAMP, HOSE WORM #12	12	
4	60019	HOSE, COOLANT, 5/8" ID, SAE20R3 6.95 FT.	7.....	1 PC = 1 FT
5	45636	FITTING, TEE, -10 BARB, BRASS	2	
6	45635	FITTING, STR, -04 MP X -10 BARB, BRASS	3	
7	8053	FITTING, 90 1/4MP X 1/4FP	2	
8	21597	BUMPER, STEM 1.0"D X 0.5S X 0.31	16	
9	42347	SCREW, HFS, ZP, M6-1.0 X 30, CLASS 8.8	6	
10	45077	STRAP, FUEL TANK	2	
11	22144	FITTING, PLUG -6MO	1	
12	45069	FUEL TANK	1	
13	45141	FUEL CAP, SAE11114 W/ 5" TETHER	1	
14	22810	CLAMP FUEL INJECTION 52F 1/2-9/16" OD	2	
15	43759	SENDING UNIT, 8" FUEL	1	
16	43391	FITTING, STR, -24 BARB X 1-1/2 MP	1	
17	42988	CLAMP, T-BOLT, 1-7/8" – 2-1/8"	2	
18	42496	RIVNUT FASTENER, HALF HEX LONG FLNG M6 X 1	2	
19	43930	FILLER NECK	1	
20	43821	HOSE, 1.5" X 17.0 E-Z FORM	1	

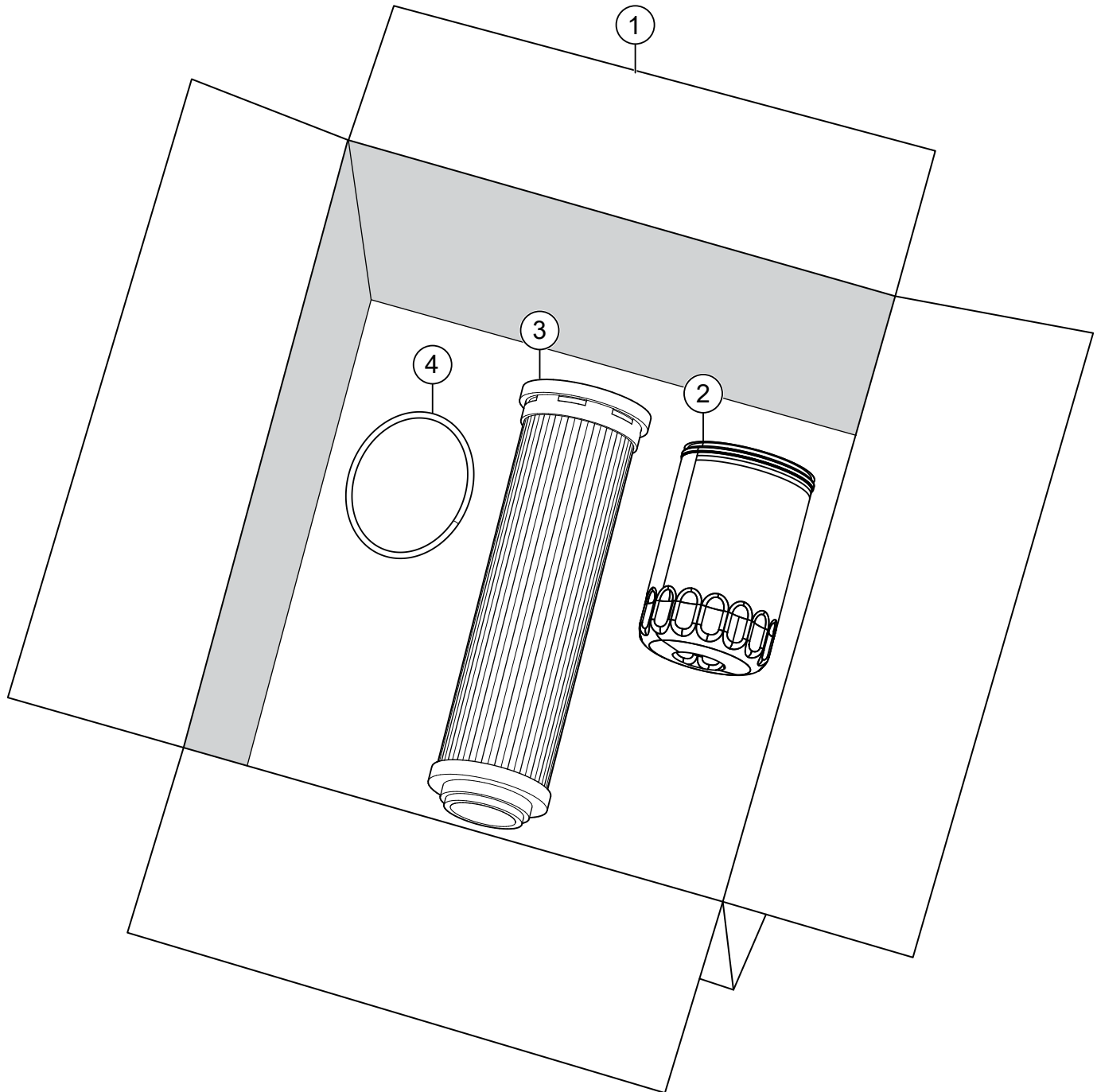
FUEL PUMP ASSY.



FUEL PUMP ASSY.

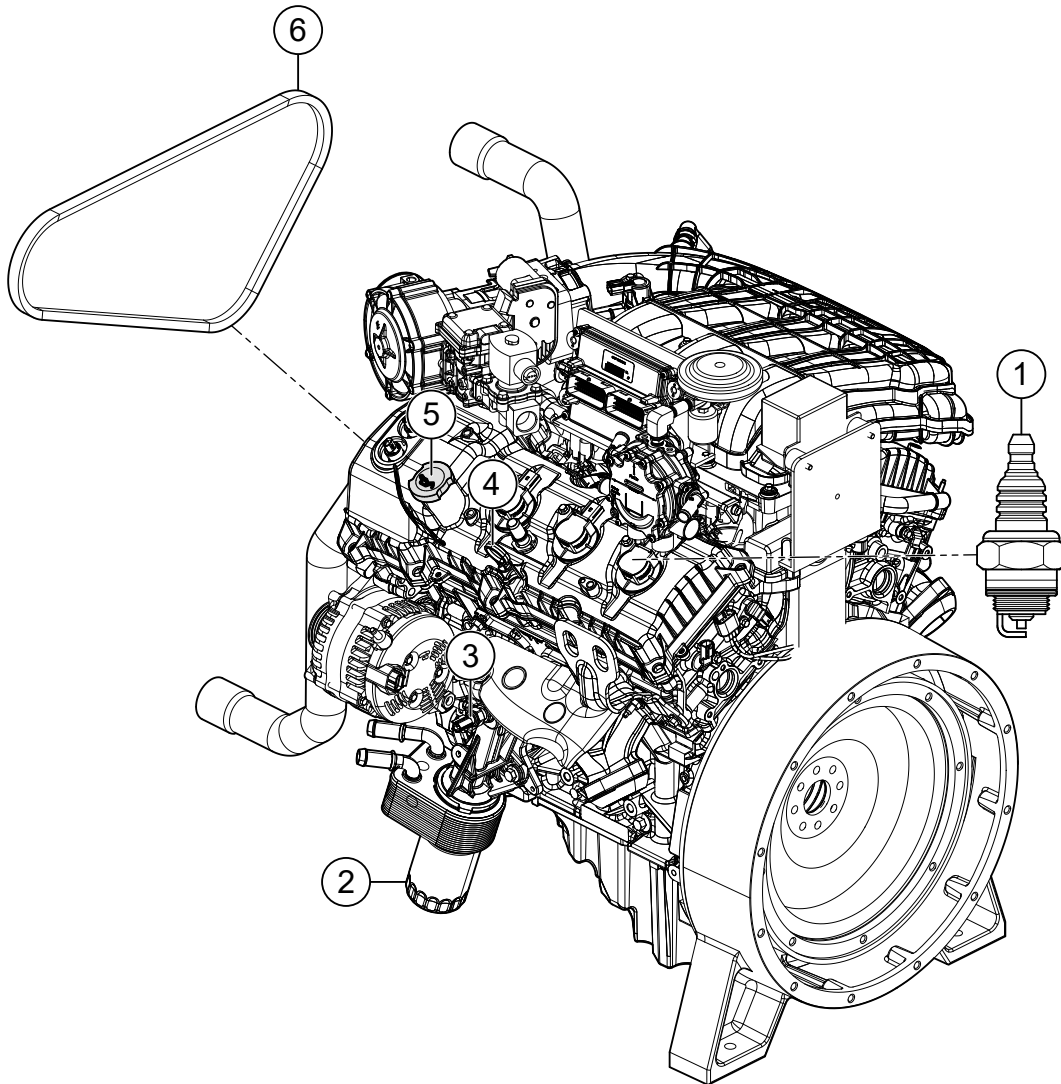
<u>NO.</u>	<u>PART NO.</u>	<u>PART NAME</u>	<u>QTY.</u>	<u>REMARKS</u>
1	43140-05	GASOLINE FUEL BLOCK	1	
2	42458	FITTING, FUEL .312, 90 DEG SAE J2044	6	
3	35023	CLAMP, LOOM CUSHIONED #10 .263 HOLE	2	
4	32796	SCREW, HHFS M6-1 X 50	2	
5	42459	HOSE, RUBBER, .3125, LOW PERM 145 PSI 11.4 FT.....	12.....	1 PC = 1 FT
6	37822	CLAMP, 15.3MM OETIKER STEPLESS EAR	7	
7	42353	NUT, HEX, SERRATED-FLANGE, M10-1.5	2	
8	43140-04	FUEL FILTER	1	
9	42457	FITTING, FUEL .312, STRAIGHT SAE J2044	1	
10	43724	SCREW, HFS M6-1.0 X 25MM CLASS 8.8	3	
11	43655	NUT, BLIND, HEX, M6-1.0 X 4.2 - 6.6 GRIP	3	
12	45079	BRACKET, FUEL PUMP	1	
13	43140-02	GASOLINE FUEL PUMP	1	
14	42352	NUT, HEX, SERRATED-FLANGE, M6-1.0	2	
15	43140-06	FUEL PUMP MOUNTING CLAMPS	2	
16	45632	SCREW, HFS M10-1.5 X 20 CLASS 8.8	2	

FILTER KIT ASSY.



FILTER KIT ASSY.

<u>NO.</u>	<u>PART NO.</u>	<u>PART NAME</u>	<u>QTY.</u>	<u>REMARKS</u>
1	43988	FILTER KIT	1	INCLUDES ITEMS W/@
2@	43838-29	FL-500S OIL FILTER	1	
3@	42616-1	HYD. FILTER REPLACEMENT ELEMENT, MED.	1	
4@	43963-01	O-RING, FILTER, MAGNETIC MIDI	1	



ENGINE SERVICE PARTS

<u>NO.</u>	<u>PART NO.</u>	<u>PART NAME</u>	<u>QTY.</u>	<u>REMARKS</u>
1	43838-04	SPARK PLUG	6	
2	43838-29	FL-500S OIL FILTER	1	
3	43838-05	OIL PRESSURE SWITCH	1	
4	43838-39	OIL INDICATOR (DIP STICK)	1	
5	43838-40	OIL FILL CAP	1	
6	43838-22	BELT, FEAD	1	