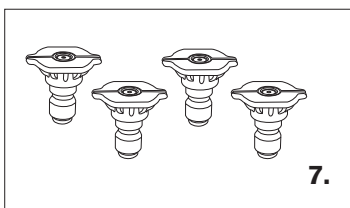
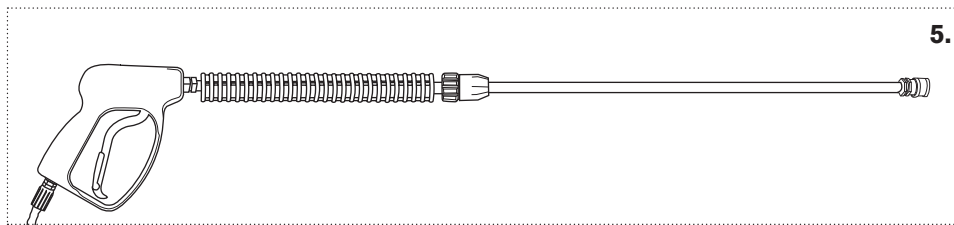
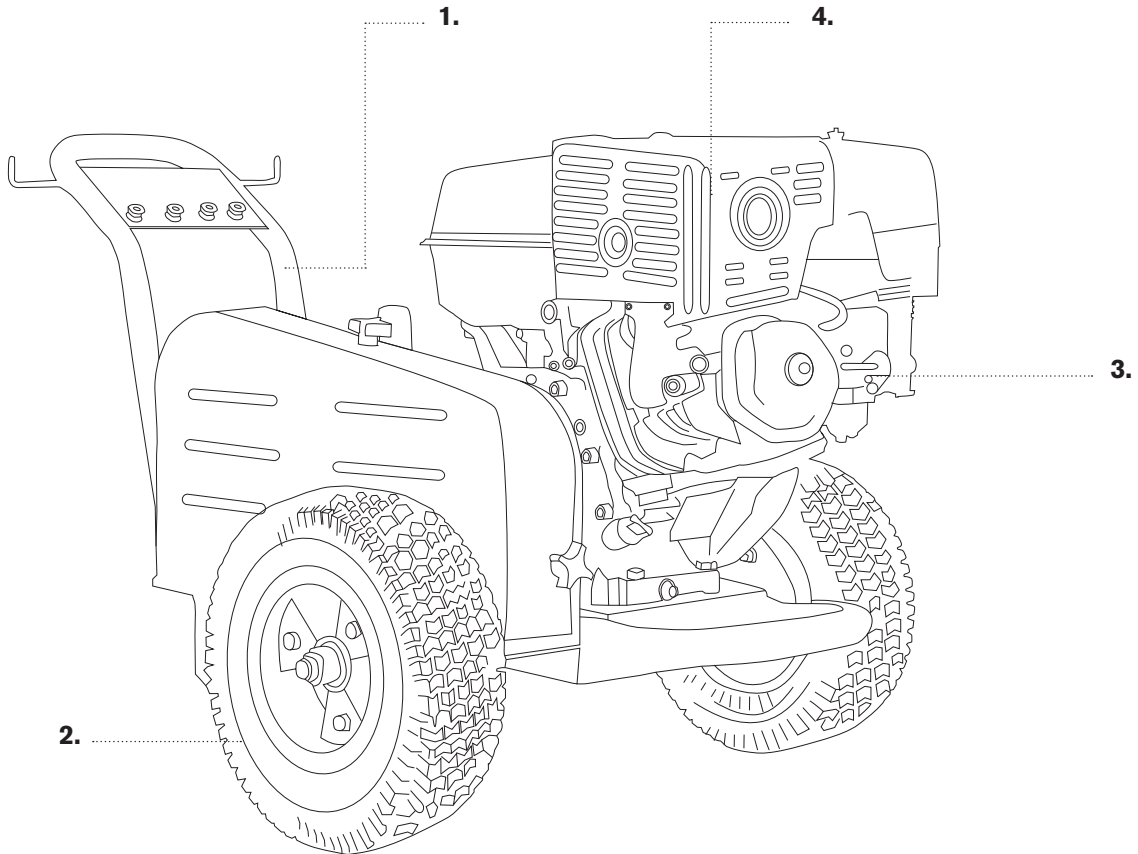


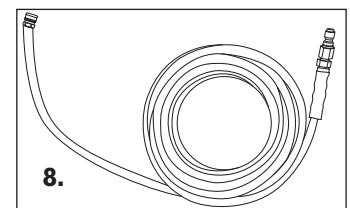


PRESSURE WASHER BREAKDOWN

X-3513HWBCATCD



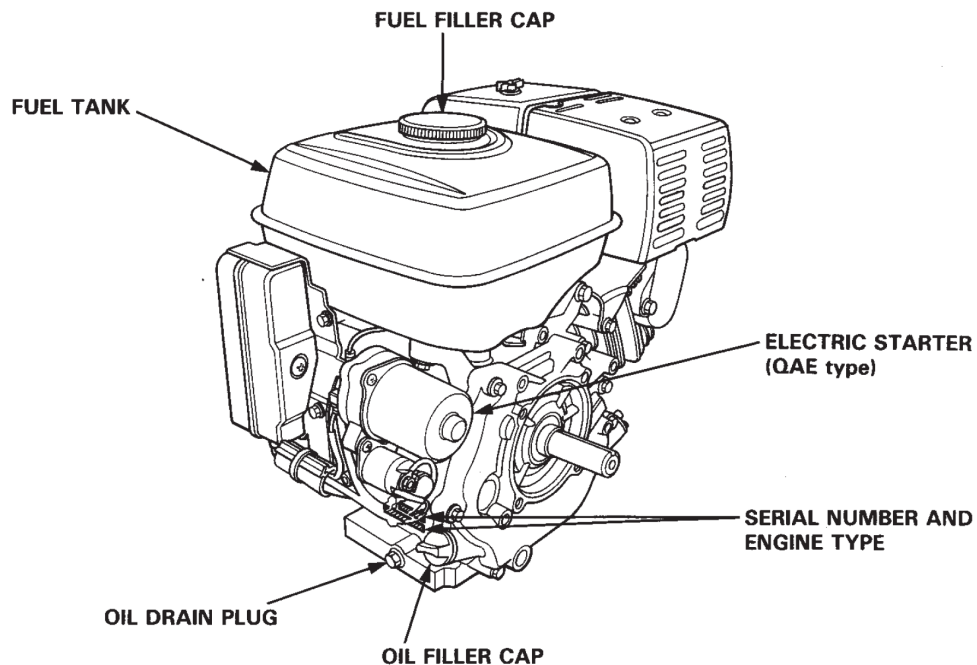
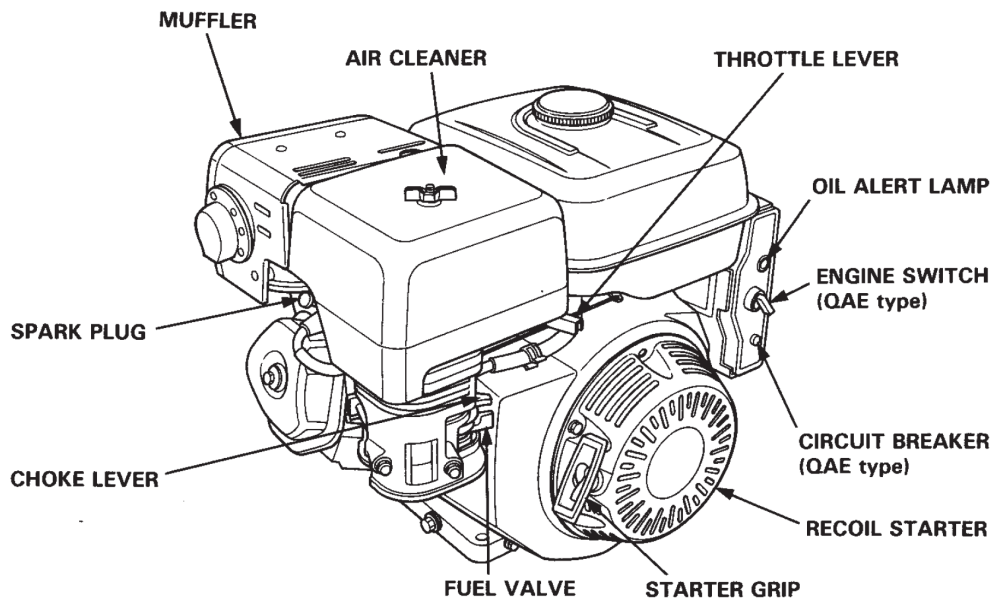
REF #	DESCRIPTION	PART #
1	Frame (included)	85.600.088
2	Wheel	85.660.020F
3	Pump - CAT 5CP3120	85.119.021A
4	Engine - Honda GX390	85.510.131
5	Gun	85.205.055
6	Wand	85.205.056
7	Nozzle Set	85.210.040
8	Hose 50' x 3/8"	85.238.155





PRESSURE WASHER BREAKDOWN

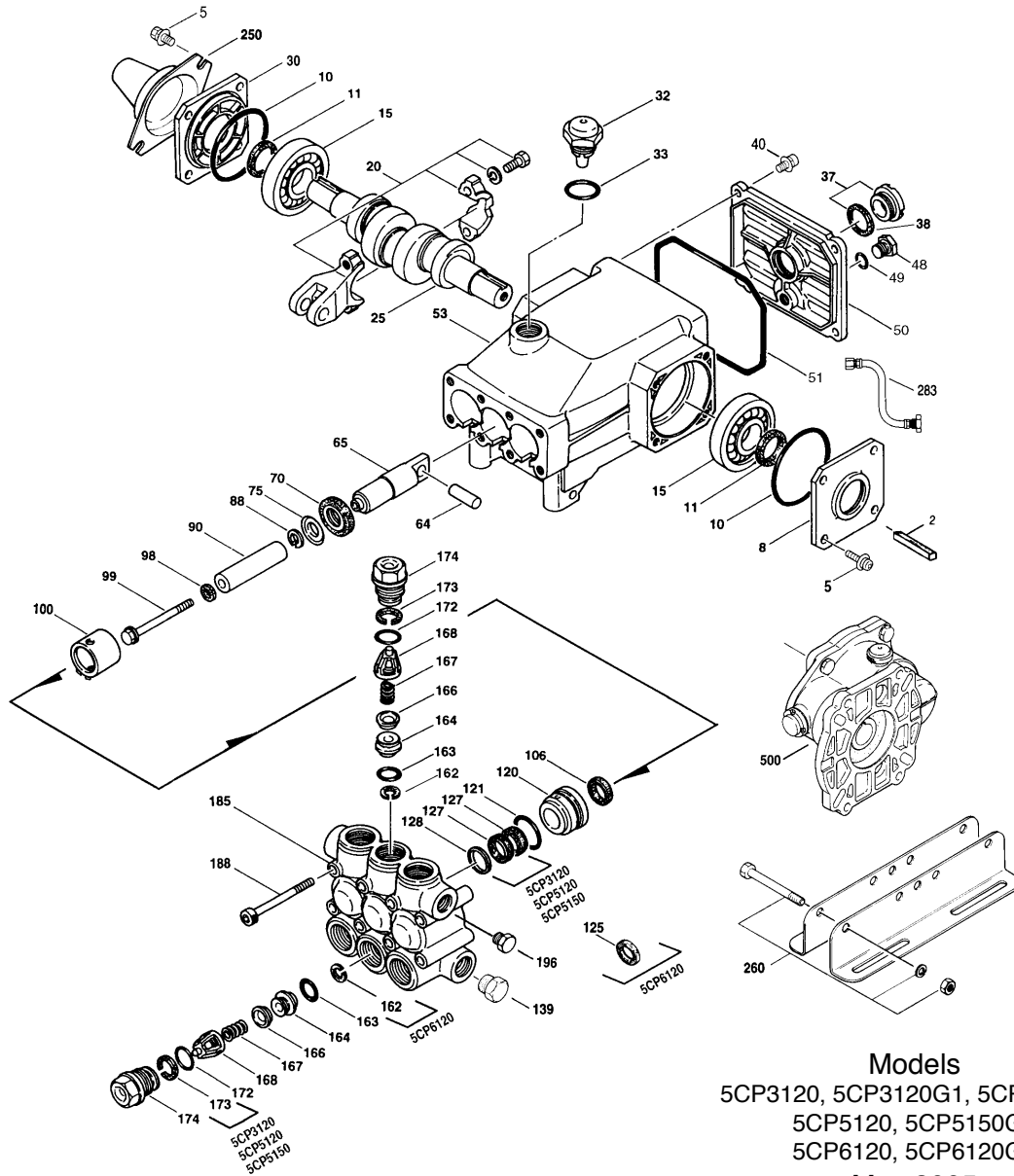
X-3513HWBCATCD





PRESSURE WASHER BREAKDOWN

X-3513HWBCATCD



Models
 5CP3120, 5CP3120G1, 5CP3130G1
 5CP5120, 5CP5150G1
 5CP6120, 5CP6120G1
 May 2005

	5CP3120		5CP5120		5CP6120		
	5CP3120G1		5CP5150G1	MATL	5CP6120G1	MATL	
283	34334	—	34334	—	34334	—	Kit, Oil Drain
299	814843	FBB	814844	FBB	816666	FBB	Head, Complete
300	33629	NBR	33630	NBR	33628	NBR	Kit, Seal (Incls: 98,106,121,125,127)
	31340	FPM*	31350	FPM	31628	FPM	Kit, Seal (Incls: 98,106,121,125,127)
	31665	HT	—	—	31638	HT	Kit, Seal (Incls: 98,106,121,125,127)
	31730	EPDM	—	—	—	—	Kit, Seal (Incls: 98,106,121,127)
310	33060	NBR	33060	NBR	30820	NBR	Kit, Valve (Incls: 162,163,164,166,167,168,172,173)
	31345	FPM	31345	FPM	31263	FPM	Kit, Valve (Incls: 162,163,164,166,167,168,172,173)
	31735	EPDM	—	—	—	—	Kit, Valve (Incls: 163,164,166,167,168,172,173)
350	30696	STZP	30696	STZP	30696	STZP	Pliers, Reverse
400	7665	BB	7665	BB	7665	BB	Modular Unloader (See Individual Data Sheet)
500	8076-8077	—	8076-8077	—	8076-8077	—	Gearbox (See Individual Data Sheet)
—	6107	—	6107	—	6107	—	Oil, Bottle (21 oz.) ISO 68 Multi-viscosity Hydraulic
	—	—	—	—	—	—	(Fill to specified crankcase capacity prior to start-up)



PRESSURE WASHER BREAKDOWN

X-3513HWBCATCD

ITEM	PART NUMBER		DESCRIPTION	QTY
	5CP3120	5CP5120	5CP6120	
	5CP3120G1	5CP5150G1	5CP6120G1	
	5CP3130G1	MATL	MATL	
2	30057	30057	30057	1
5	96031	96031	96031	8
8	46910	46910	46910	2/1
10	14028	14028	14028	2
11	43222	43222	43222	2
15	14480	14480	14480	2
20	48742	48742	48742	3
25	46928	46928	46928	1
	48233	—	—	1
	48368	48368	—	1
30	48224	48224	—	1
32	46798	46798	46798	1
33	14179	14179	14179	1
37	92241	92241	92241	1
38	44428	44428	44428	1
40	92519	92519	92519	4
48	25625	25625	25625	1
49	23170	23170	23170	1
50	46940	46940	46940	1
51	14044	14044	14044	1
53	48617	48617	48617	1
64	46746	46746	46746	3
65	48458	48458	48458	3
70	46838	46838	46838	3
75	43900	43328	43328	3
88	45697	45697	45697	3
90	46884	—	—	3
	—	46893	—	3
	—	—	46841	3
98	46730	46730	46730	3
	48394	48394	48394	3
	48432	—	—	3
99	48201	48201	48201	3
100	46749	46749	46749	3
106	43316	43243	43305	3
	106660	—	—	3
	—	44926	45153	3
	49134	—	—	3
120	46888	46896	46843	3
121	13978	13978	13978	3
	14329	14329	14329	3
	48904	—	—	3
125	—	—	43307	3
	—	—	44936	3
	—	—	46667	3
127	43319	44549	—	6
	46287	45617	—	6
	—	48300	—	6
128	46618	45618	—	3
139	22179	22179	22179	1
162	—	—	43248	6
163	17547	17547	43249	6
	11685	11685	44383	6
	46648	—	—	6
164	45790	45790	43722	6
166	46429	46429	43721	6
167	43750	43750	43751	6
168	44565	44565	44564	6
172	17549	17549	17617	6
	26996	26996	11691	6
	49133	—	—	6
173	48365	48365	—	6
174	45900	45900	118676	6
185	46886	46895	48248	1
188	87872	87872	87872	8
196	22187	22187	22187	1
250	118672	118672	118672	1
255	30243	30243	30243	1
260	30611	30611	30611	1
	30637	30637	30637	1
265	30659	30659	30659	1
275	30944	30944	30944	1

Key (M6x6x25)
Screw, Sems HHC (M8x16)
Cover, Bearing
O-Ring, Bearing Cover - 70D
Seal, Oil, Crankshaft
Bearing, Ball
Rod, Connecting Assy [10/01]
Crankshaft, Dual End - 3120, 5120, 6120 6120G1
Crankshaft, Single End - 3120G1
Crankshaft, Single End - 3130G1, 5150G1
Cover, Bearing Blind
Cap, Oil Filler, Domed
O-Ring, Oil Filler Cap - 70D
Gauge, Oil, Bubble w/Gasket - 80D
Gasket, Flat, Oil Gauge - 80D
Screw, Sems HHC (M6x16)
Plug, Drain (1/4"x19BSP)
O-Ring, Drain Plug - 70D
Cover, Rear
O-Ring, Rear Cover
Crankcase
Pin, Crosshead
Rod, Plunger
Seal, Oil, Crankcase - 70D
Slinger, Barrier
Washer, Keyhole (M18)
Plunger (M16x50)
Plunger (M18x50)
Plunger (M20x50)
Washer, Seal - 90D
Washer, Seal - 90D
Washer, Seal
Retainer, Plunger w/Stud (M6)
Retainer, Seal
Seal, LPS w/S-Spg
Seal, LPS w/S-Spg
Seal, LPS w/SS-Spg
Seal, LPS w/S-Spg
Case, Seal (Press-in-style)
O-Ring, Seal Case - 70D
O-Ring, Seal Case
O-Ring, Seal Case
Seal, HPS w/S
Seal, HPS w/SS
Seal, HPS w/S
V-Packing
V-Packing
V-Packing
Adapter, Male
Plug, Inlet (1/2"NPT)
Back-up-Ring, Seat
O-Ring, Seat
O-Ring, Seat
O-Ring, Seat - 70D
Seat
Valve
Spring
Retainer, Spring
O-Ring, Valve Plug
O-Ring, Valve Plug
O-Ring, Valve Plug
Back-up-Ring, Valve Plug
Plug, Valve
Manifold, Head
Screw, HSH (M8x70)
Plug, Discharge (3/8"NPT)
Protector, Shaft
Mount, Direct
Assembly, Angle Rail - B
(Incls: 28499, 30900, 30910, 30920) (Belt Drive Only)
Mount, Angle Assy-Retro Fit
Kit, Complete Mounting
(Incls: 30611, 30633, 118672) (Belt Drive Only)
Hub & Key Assy (M20 w/M6 Keyway)
[See Drive Packages, Tech Bulletin 003]