

clipper®

CONCRETE SAWS

Models: C-141 — C-101

Parts List

Operating Maintenance

PREPARATION: The engine is shipped completely assembled ready for use except for gasoline and oil.

ENGINE:

1. Fill engine with high quality detergent type oil with API Service MS Classification.
2. Break in new engine by running it at idle speed for half an hour at no load. Run at full speed with no load for one or two hours.
3. Retighten all belts & hardware after first four hours.
4. Let engine warm up at half throttle before cutting. Always cut with engine wide open. Engine speed should be 2400 rpm at full throttle. See manufacturer's instruction manual.

OPERATION: The best cutting speed and economy can be obtained by following the instructions listed in this section and by selection of the *right blade* for the job. Your local *Clipper Dealer* or *Clipper Area Market Manager* can provide accurate blade recommendations to meet all cutting requirements.

STARTING ENGINE: On units with *Self-Propelling*, make sure transmission is disengaged before starting unit.

ALIGN SAW WITH MARKED LINE: To turn and position saw, lift rear wheels by means of the maneuvering handle. **IMPORTANT:** Do not *tilt saw too far* forward to keep blade from contacting concrete. Align blade carefully by placing *front pointer* and *blade* in line with proposed line of cut.

WET CUTTING: Turn on water at source and use water valve to control flow of water to blade. Be sure that both sides of the blade are getting an adequate flow of water, a *minimum* of 2 gallons per minute.

LOWER BLADE INTO CONCRETE: Lower blade carefully by turning crank *counterclockwise*. DO NOT *force* blade. Engage depth lock on crank when desired depth is reached.

USING SELF-PROPELLING UNIT:

1. **SPEED CONTROL LEVER:** The left hand lever is the speed control lever. Pushing this lever slowly forward will vary the forward speed of the saw from cutting speed to road speed. Pulling it back to the stop puts the transmission in neutral.
2. **CLUTCH LEVER:** The right hand, vertical lever is the clutch lever. It has two positions into which it can be moved. The forward position disengages the transmission output roller from the rear wheels. This position can be used when aligning the saw, towing the saw or when you want to stop sawing and maintain the speed control lever at the same cutting speed. Pulling this lever engages the self-propelling unit (*When parking the saw, it should always be left in gear and parked sideways to the grade*). AGAIN: When parking the saw, park sideways to the grade.

ENGINE MAINTENANCE: Refer to the Engine Instruction book for maintenance instructions.

The following items are particularly important.

1. Operate engine at proper operating speed, DO NOT ALTAR SPEED, OR GOVERN SETTING.
2. Check crankcase oil *daily* with engine level.
3. Use regular grade gasoline.
4. Clean air cleaner *daily*.
5. Keep air passages clean. Cooling fan and air passages will become caked with cutting sludge which can cause serious overheating.

V-BELT MAINTENANCE: The high quality V-Belts used on *Clipper Saws* require very little adjustment. After four hours of operation, check and tighten the belts as required. CAUTION: Do NOT *overtighten* belts as damage will occur to the belts and bearings, resulting in shortened life. Belts that are too loose will cause undue slippage and short life. When installing new belts, do not attempt to stretch over pulleys.

1. **BLADE SHAFT BELTS:** When belts require replacements, always use a "matched set" of *Clipper Premium V-Belts*. Do not replace single belts.

2. **SELF-PROPELLING UNIT BELT:** When belt requires a replacement, always use *Clipper Premium V-Belts*.

SELF-PROPELLING UNIT:

1. **TRANSMISSION:** The fluid level must be maintained to the cold line when the transmission is cold. Add automatic transmission fluid as required to maintain this level. The transmission does not require periodic oil changes.

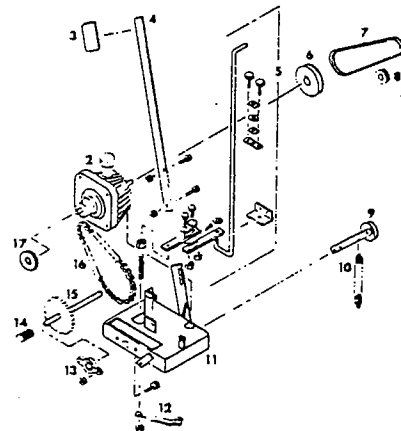
2. **KEEP CHAIN CLEAN AND PROPERLY ADJUSTED:** Clean chain and sprocket teeth as required.

3. To change engagement pressure of drive rollers, loosen two bolts connecting clutch arm to transmission bracket and move clutch arm up to

SAFETY PRECAUTIONS

Important — The following safety precautions **MUST** be observed—

1. Before mounting any blade on the saw, the blade should be inspected for any damage which might have occurred during shipment or handling.
2. The blade shaft collars and arbor should be cleaned and examined for damage before mounting blade.
3. Blade must be properly fitted over arbor and drive pin. Drive pin must project through hole in blade and into collar.
4. Blade shaft nut must be tightened securely against outside blade shaft collar. When tightening blade shaft nut, spark plug should be disconnected.
5. The blade must be operated within the specified maximum operating speed listed on blade.
6. Adequate coolant must be used for wet cutting abrasive and all diamond blades.
7. Blade guard must be in place when saw is running. *Always* use proper size blade guard for the size blade being used.
8. The operator should wear safety glasses.
9. When starting the saw, the operator should stand outside the path of the blade.
10. If for any reason the saw stalls in cut, raise the blade out of the cut and check outside bladeshaft collar and nut for tightness before restarting engine. Use care when resuming a cut. Make certain that blade is in alignment with previous cut.
11. During cutting, do not exert *excess side pressure* on the handles as a method of steering. Do not force the blade into material by lowering the blade too fast or by propelling the saw too fast.



| ITEM | THESE ITEMS ON SELF PROPELLING MODELS ONLY DESCRIPTION | QTY. | PART NO. |
|------|------------------------------------------------------------------------------|------|-------------------|
| 1 | TRANSMISSION COMPLETE ASS'Y (CONSISTING OF ITEMS 2,6,9,10,11,12,13,14,16,17) | 1 | 109254 |
| 2 | TRANSMISSION | 1 | 106344 |
| 3 | GRIP | 1 | 106392 |
| 4 | HANDLE | 1 | 109219 |
| 5 | CONTROL ASS'Y | 1 | 109266 |
| 6 | SHEAVE | 1 | 109236 |
| 7 | BELT | 1 | 106382 |
| 8 | ACCESSORY SHEAVE | 1 | 106233 |
| 9 | IDLER SHEAVE | 1 | 108283 |
| 10 | SPRING | 1 | 12728 |
| 11 | TRANSMISSION PLATFORM | 1 | 109211 |
| 12 | CONTROL ARM WELDMENT | 1 | 109233 |
| 13 | BEARING | 2 | 106383 |
| 14 | DRIVE ROLLER | 2 | 109231 |
| 15 | DRIVE SHAFT AND SPROCKET | 1 | 109292 |
| 16 | CHAIN | 1 | 109230 |
| 17 | SPROCKET | 1 | 107752 |
| 18 | REAR DOOR (NOT SHOWN) | 1 | 109222 |

OBS

OBS

OBS

OBS

OBS

LUBRICATION

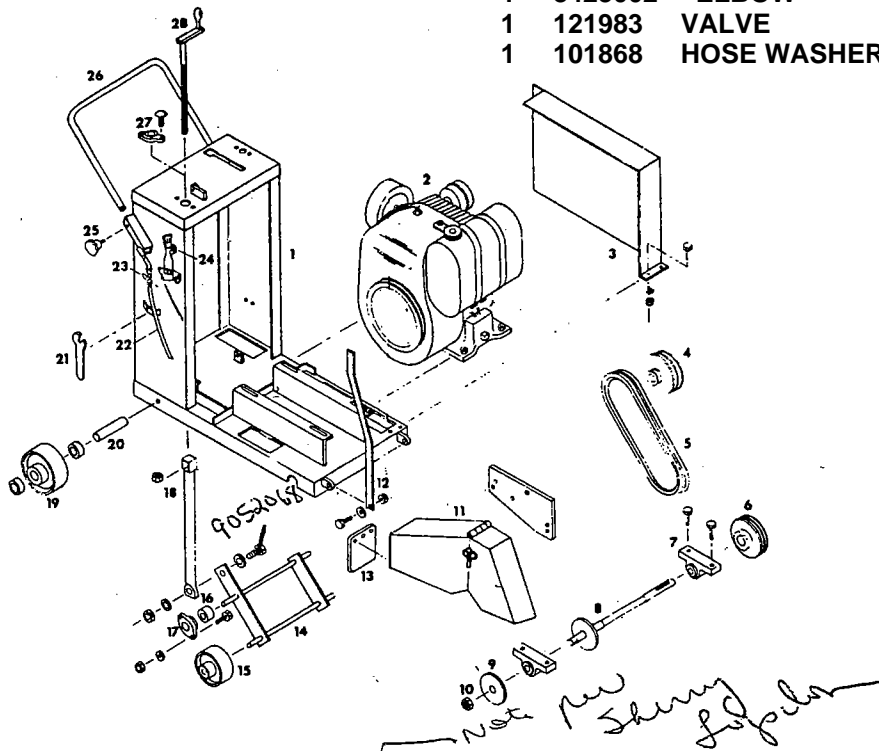
| ITEM | FREQUENCY | LUBRICATION REQD. |
|------------------------------------|-------------------|------------------------|
| Engine — See Engine Instructions | | |
| Transmission | Check Dly. | Automatic Trans. Fluid |
| Pivot Axle Brgs. | Lube Wkly. | Multi-Purpose Grse. |
| Front & Rear Whls. | Lube Wkly. | Multi-Purpose Grse. |
| Bladeshaft Brgs. | Lube Dly. | Multi-Purpose Grse. |
| Drive Chain, Trans Platform Pivots | Clean & Lube Dly. | Light Oil |
| Depth Feed Screw | Lube Wkly. | Multi-Purpose Grse. |

ORDERING INFORMATION:

1. List Model Number and Serial Number of machine.
 2. List Part Number and description of part (*not Item Number.*)
 3. Whenever alternate parts are shown due to product improvement, inspect part you have and provide additional description as necessary.
- A Dual Blade Guard Kit is available (P/N 109016). This kit provides special shaft, collars, plumbing and blade guard.

WATER DISTRIBUTION

- 1 123105 HOSE OBSOLETE
- 1 121273 SWIVEL HOSE
- 1 8423002 ELBOW
- 1 121983 VALVE
- 1 101868 HOSE WASHER



| ITEM NO. | DESCRIPTION | QTY. | PART NO. |
|----------|-------------------------------|------|----------|
| 1 | FRAME | 1 | 109100 |
| 2 | ENGINE - 14 HP | 1 | 106420 |
| | ENGINE - 10 HP | 1 | 109247 |
| 3 | BELT GUARD | 1 | 109238 |
| 4 # | ENGINE DRIVE SHEAVE (4.25 OD) | 1 | 109264 |
| 5 x | DRIVE BELT (SET OF 2) | 1 | 109306 |
| 6 | SHEAVE | 1 | 109264 |
| 7 | BEARING | 2 | 150110 |
| 8 | BLADE SHAFT & COLLAR ASS'Y | 1 | 109200 |
| 8A | DUAL BLADE SHAFT | 1 | 109268 |
| 9 | LOOSE COLLAR ASS'Y | 1 | 102318 |
| 10 | NUT L.H. | 1 | 105376 |
| 11 | BLADE GUARD ASS'Y - 14" | 1 | 106208 |
| 12 | FRONT POINTER ASS'Y | 1 | 109251 |
| 13 | SPLASH GUARD | 1 | 105363 |

| ITEM NO. | DESCRIPTION | QTY. | PART NO. |
|----------|------------------------------|------|----------|
| 14 | FRONT AXLE WELDMENT | 1 | 109295 |
| 15 | FRONT WHEEL | 2 | 106167 |
| 16 | SET COLLAR | 2 | 101132 |
| 17 | PIVOT BEARING | 2 | 123128 |
| 18 | TUBE & NUT ASS'Y | 1 | 109299 |
| | NUT ONLY | 1 | 109298 |
| 19 | REAR WHEEL | 2 | 101204 |
| 20 | REAR AXLE | 2 | 109284 |
| 21 | WRENCH | 1 | 105377 |
| 22 | HOSE ASS'Y | 1 | 123105 |
| 23 | VALVE | 1 | 121985 |
| 24 | THROTTLE | 1 | 123141 |
| 25 | KNOB | 2 | 101881 |
| 26 | HANDLE BAR | 1 | 109240 |
| 27 | FLANGED BEARING | 1 | 106169 |
| 28 | HANDLE & RAISING SCREW ASS'Y | 1 | 109303 |

OBS ↓

OBS ↓

OBS ↓

OBS ↓

OBS ↓

OBS ↓

OBS ↓

x FOR SAWS WITH 5 1/2 ENGINE SHEAVE USE 109225 OR CONSULT STICKER
 # FOR SAWS WITH 5 1/2 SHEAVE ORDER 109265

LIMITED WARRANTY

NORTON WARRANTS ALL PRODUCTS MANUFACTURED BY IT AGAINST DEFECTS IN WORKMANSHIP OR MATERIALS FOR A PERIOD OF ONE (1) YEAR FROM THE DATE OF SHIPMENT TO CUSTOMER. THE RESPONSIBILITY OF NORTON UNDER THIS WARRANTY IS LIMITED TO REPLACEMENT OR REPAIR OF DEFECTIVE PARTS AT NORTON'S GAINESVILLE, GA., FACTORY, OR AT A POINT DESIGNATED BY IT, OF SUCH PART AS SHALL APPEAR TO US UPON INSPECTION AT SUCH POINT, TO HAVE BEEN DEFECTIVE IN MATERIAL OR WORKMANSHIP, WITH EXPENSE FOR TRANSPORTATION AND LABOR BORNE BY CUSTOMER. IN NO EVENT SHALL NORTON BE LIABLE FOR CONSEQUENTIAL DAMAGES ARISING OUT OF THE FAILURE OF ANY PRODUCT TO OPERATE PROPERLY. INTEGRAL UNITS SUCH AS GASOLINE ENGINES, ELECTRIC MOTORS, TRANSMISSIONS, ETC. ARE EXCLUDED FROM THIS WARRANTY AND ARE SUBJECT TO THE PRIME MANUFACTURER'S WARRANTY. THIS WARRANTY IS IN LIEU OF ALL OTHER WARRANTIES EXPRESS OF IMPLIED.

