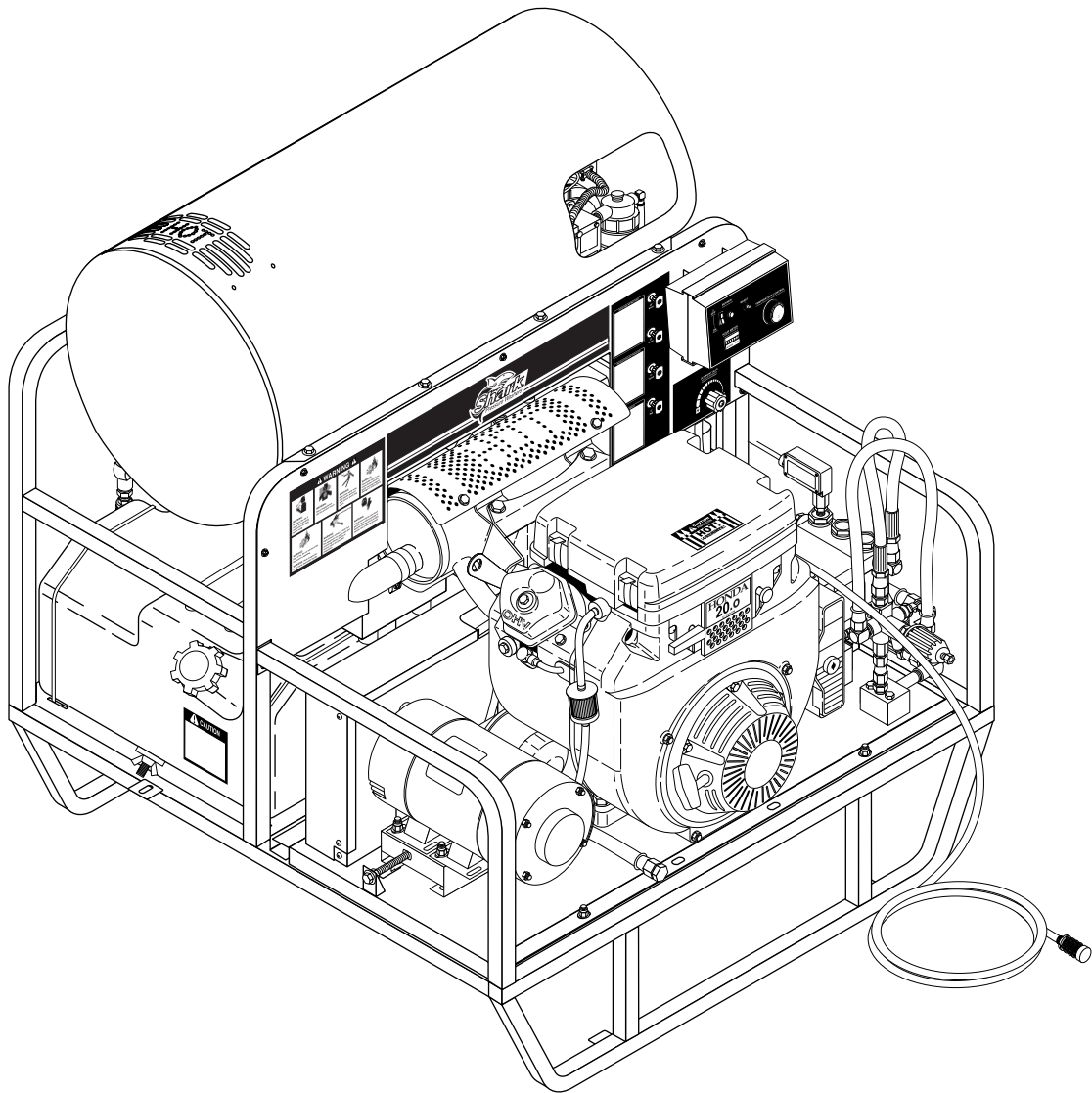




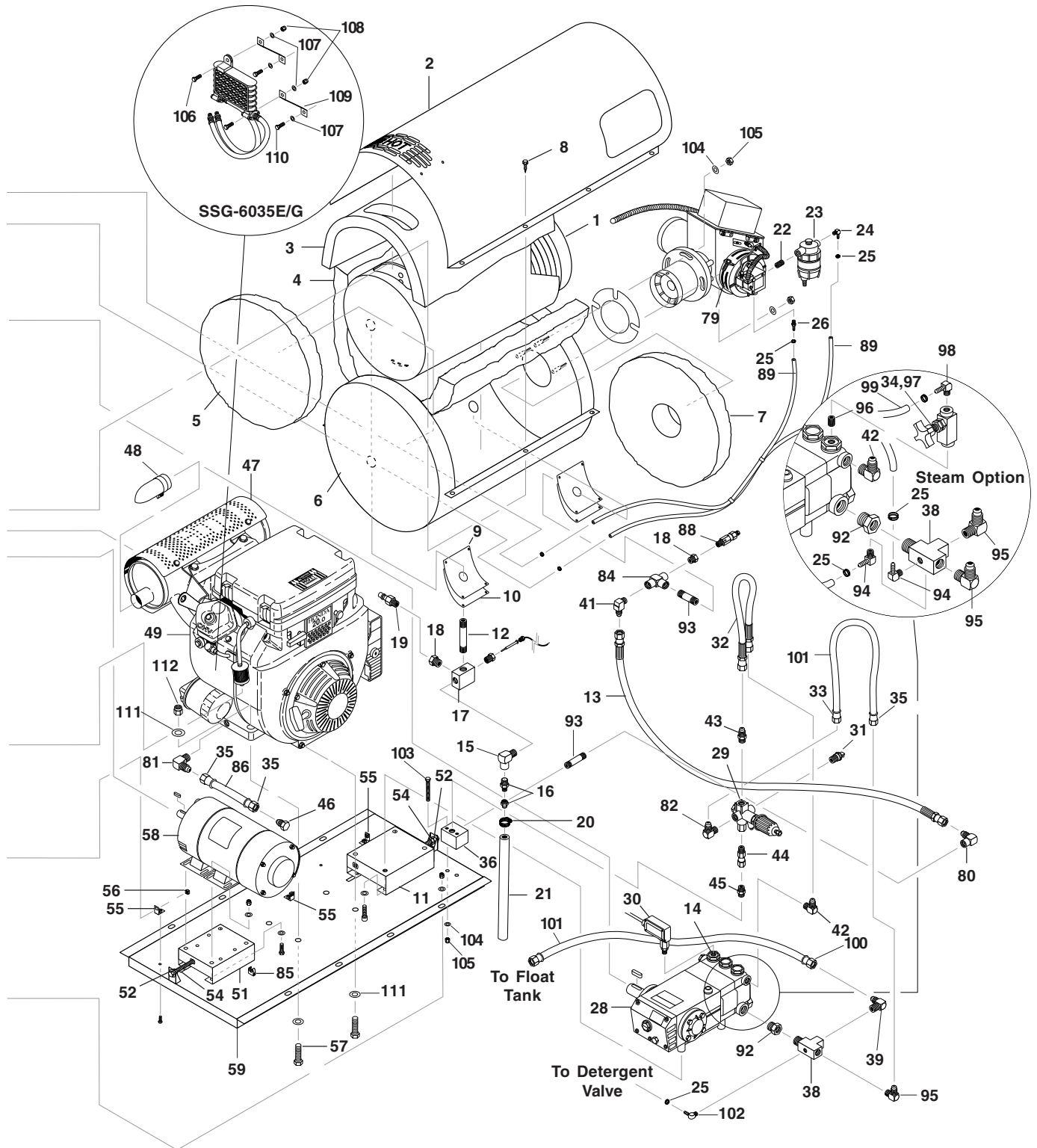
SSG

OPERATOR'S MANUAL

-
- | | | | | |
|-----------------|-----------------|-----------------|-----------------|-----------------|
| ■ SSG-503021E | ■ SSG-503027E | ■ SSG-503531E | ■ SSG-503537E | ■ SSG-603531E/G |
| ■ SSG-503021E/G | ■ SSG-503027E/G | ■ SSG-503531E/G | ■ SSG-503537E/G | ■ SSG-603537E/G |
-



EXPLODED VIEW RIGHT SIDE



EXPLODED VIEW - PARTS LIST

12VDC Models: 503021E, 503027E, 503531E, 503537E

120VAC Models: 503021E/G, 503027E/G, 503531E/G, 503537E/G, 603531E/G, 603537E/G

ITEM	PART NO.	DESCRIPTION	QTY
1	95-07200055	Coil, Rodless, Shark	1
2	95-07200010	Top Wrap, SS	1
	2-01104	▲ Trim	3 ft.
3	7-01484	Insulation/Blanket, Die Cut 28" x 24"	1
4	7-01430	Insulation/Blanket, No Foil, 24" x 57"	1
5	7-0140	Insulation, Burner Head No Hole	1
6	95-07200012	Weldment, Bottom Wrap, SS	1
	90-1019	▲ Bolt, 3/8" - 16 x 1-3/4"	2
7	7-0141	Insulation, Burner Head, W/Hole	1
8	90-19959	Screw, 3/8" x 1" HX Wash Head, Sheet Metal	8
9	7-0144	Gasket, Burner Plate	2
10	95-07121113	Insulation Retainer Plate	2
	90-2990	▲ Screw, SS #10, HH Tek	8
11	95-07200054	Rail, Pump	1
12	2-00101	Nipple, 1/2" x 4" Galv. Sch 80	1
13	4-02047748	Hose 3/8" x 48", 2 Wire Pressure	1
14	1-190029	Cap, Valve, General Pump, W/ Steam Option	1 2
	15-070042532	Cap, Valve, Legacy Pump, W/ Steam Option	1 2
15	2-0032	Elbow 1/2", Street	1
16	2-3408	Disk Rupture Assy, 8000 PSI	1
	2-3480	Rupture Disk Replacement, 8000 PSI	1
17	95-07101226	Block, Discharge, Brass, 1/2" x 1/2"	1
18	2-00681	Bushing, 1/2" x 3/8"	2
19	2-2007	Nipple, 3/8" x 3/8" NPT ST Male	1
20	2-90041	Clamp, Screw, #16 Micro	1
21	4-02130050	Hose, 7/8" Push-On, Conduit	.5 ft
22	2-1003	Nipple, 1/4" Hex	1
23	2-99050	Filter, Fuel Oil/H ₂ O Separator	1
24	2-1089	Hose Barb, 1/4" Barb x 1/4" MNPT, 90°	1
25	2-9040	Clamp, Hose, UNI .46 - .54	9
26	2-1085	Hose Barb, 1/4" Barb x 1/4" Pipe	1
	2-1085	Hose Barb, 1/4" Barb x 1/4" MNPT (Steam Option)	1

ITEM	PART NO.	DESCRIPTION	QTY
27	90-300210	Screw, #14 Tek, Black, Zinc	11
28	5-1661	Pump, Legacy TT 3555 (503027E, 503027E/G, 503537E, 503537E/G,603537E/G)	1
	5-2307	Pump, General, TS2021 (503021E, 503021E/G, 503531E, 503531E/G, 603531E/G)	1
29	5-3208	Unloader AL607	1
30	6-021720	Pressure Switch	1
31	2-300816	Pump Protector, 3/8" FNPT	1
32	4-02047716	Pressure Hose 3/8" x 16"	1
33	4-02110000	Hose 1/2" Push On	1.25 ft
34	10-99011	Label, Steam Valve (Steam Option)	1
35	2-1105	Push On JIC, 1/2"	6
36	95-071012150/B	Block, Unloader, 1/2" x 1/2", Brass	1
37	6-05134	Cable, TY, 48"	4
38	2-10421	Tee, 1/2", W/1/8" Hole, Street	1
	2-10422	Tee, 1/2", W/1/8" Hole, Street (Steam Option)	1
39	2-1062	Elbow, 1/2" JIC x 1/2", 90°	1
40	10-02028	Label, Belt Guard	1
41	2-0054	Elbow 1/2" MNPT x 1/2" MJIC, Steel	1
42	2-0053	Elbow, 1/2" MJIC x 3/8" MNPT	1
43	2-0051	Nipple, 1/2" MJIC x 3/8" MNPT	1
44	2-0079	Swivel, 1/2" JIC Fem, 3/8" Mal	1
45	2-0052	Nipple, 1/2" JIC, 1/2" Pipe	2
46	2-1050	Plug, 1/2" Flare	1
47	95-07200015	Heat Shield (Honda)	1
	95-07200048	▲ Heat Shield (Vanguard)	1
	90-19925	▲ Screw, M6 x 20mm, BH	4
48	77-VHRM4	Muffler (Honda)	1
	79-11465813800	Exhaust Deflector (Honda)	1
	76-807965	▲ Muffler (Vanguard)	1
	90-805849	▲ Screw, HH, 1/4" - 20 x 1/2"	4
	90-19711	▲ Screw, HH, WL, 1/4" - 20 x 1/2"	2
	95 -07101149	▲ Muffler Guard (Vanguard)	1

EXPLODED VIEW - PARTS LIST (CONTINUED)

12VDC Models: 503021E, 503027E, 503531E, 503537E

120VAC Models: 503021E/G, 503027E/G, 503531E/G, 503537E/G, 603531E/G, 603537E/G

ITEM	PART NO.	DESCRIPTION	QTY	ITEM	PART NO.	DESCRIPTION	QTY
49	5-01093	Honda 20 HP Engine (503531E, 503531E/G, 503537E, 503537E/G)	1	61	2-0115090	Fuel Tank, 6 Ga. Engine	1
	5-01094	▲ Honda 24 HP Engine (603531E/G, 603537E/G)	1	62	2-01150800	Fuel Tank, 9 Ga. Burner	1
	5-0309	▲ Vanguard, 16 HP (503021E, 503021E/G, 503027E, 503027E/G)	1	63	2-01167	Cap, Fuel, Plastic	2
	76-91540	▲ Key, Shaft (Vanguard)	1	64	10-020110	Label, Caution, Diesel	1
	10-02012	▲ Label, Oiled	1	65	10-02011	Label, Caution, Unleaded	1
50	10-02025A	Label, HOT	1	66	95-07200004	Weldment, Belt Guard, Long (120VAC)	1
51	95-07200009	Pump, Rail (120VAC)	1		95-07200006	▲ Weldment, Belt Guard, Short	1
	90-1016	▲ Bolt, 3/8" x 1", NC HH (12VDC)	3	67	95-07200005	Weldment, Face Plate, Long (120VAC)	1
		(120VAC)	10		95-07200007	▲ Weldment, Face Plate, Short	1
	2-011981	▲ Washer, Snubbing (12VDC) (120VAC)	3	68	2-0115001	Battery Box, Large	1
		(120VAC)	6	69	2-011500	Plate, Battery Box, Large	1
	90-4009	▲ Washer, 3/8", Lock (12VDC) (120VAC)	3	70	90-1996	Screw, 3/8" x 3/4" HH NC Whiz Loc	4
		(120VAC)	6		90-20040	▲ Nut, 3/8", Flange Whiz Loc	4
52	95-07200016	Bracket, Belt Tension (12VDC) (120VAC)	1	71	5-511063	Bushing, Generator, H x 5/8"	1
		(120VAC)	2	72	5-511100	Bushing, Engine, H x 1" (503021E, 503531E)	1
	90-2001	▲ Nut, 5/16", ESNA, NC (12VDC)	2		5-531112	Bushing, Engine, P2 x 1" (503021E/G, 503531E/G)	1
		(120VAC)	4		5-531113	Bushing, Engine, P2 x 1-1/8" (Honda 24 HP)	1
	90-1007	▲ Bolt, 5/16", NC (120VAC)	2	73	5-512024	Bushing, Pump, H x 24 mm	1
		(12VDC)	4	74	5-604044	Belt, PMP/ENG	2
53	2-01016	Isolator	6	75	5-40508001	Pulley, Pump, 2BK80H (403031E, 603531E, 403037E, 603537E)	1
54	90-10220	Bolt, 3/8" x 3-1/2" SAE (12VDC) (120VAC)	1		5-40509001	Pulley, Pump, 2BK90H (503021E, 503027E, 503531E, 503537E, 503021E/G, 503027E/G, 503531E/G, 503537E/G, 603531E/G, 603537E/G)	1
		(120VAC)	2	76	5-407034	Pulley, Engine, 3TB34 (503021E/G, 503531E/G, 503027E/G, 503537E/G)	1
	90-2007	▲ Nut, 3/8" Hex, NC (12VDC) (120VAC)	2		5-40503401	Pulley, Engine, 2BK34H (503021E, 503027E, 503531E, 503537E)	1
		(120VAC)	4		5-407036	Pulley, Engine, 3TB36 (603531E/G, 603537E/G)	1
	90-4002	▲ Washer, 3/8", SAE, Flat (12VDC)	2	77	5-604034	Belt, GEN/ENG	1
		(120VAC)	16	78	5-40403401	Pulley, Generator BK34H (503021E/G, 503531E/G, 503027E/G, 503537E/G)	1
55	95-07102101	Tab, Belt Guard	3				
	90-19711	▲ Screw, HH, WL, 1/4" - 20 x 1/2"	6				
56	90-20231	Cage, Nut, 1/4" x 12 GA	10				
57	90-1020	Bolt, 3/8" x 2" NC HH (Honda)	4				
	90-1011	Bolt, 5/16" x 2" NC, HH (Vanguard)	4				
58	6-0601	Winco Generator (120VAC)	1				
	6-0107	▲ Cord, Molded (120VAC)	1				
59	95-07200003	Weldment, Sub-Frame	1				
60	95-07200002	Weldment, Frame	1				

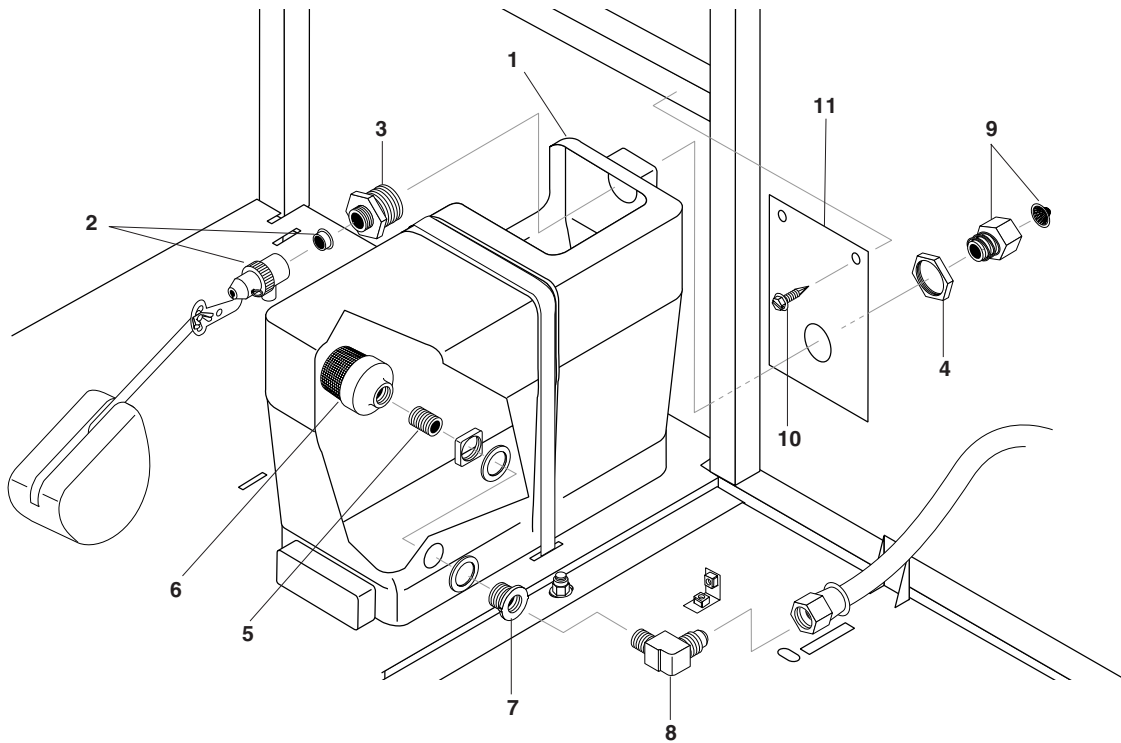
EXPLODED VIEW - PARTS LIST (CONTINUED)

12VDC Models: 503021E, 503027E, 503531E, 503537E

120VAC Models: 503021E/G, 503027E/G, 503531E/G, 503537E/G, 603531E/G, 603537E/G

ITEM	PART NO.	DESCRIPTION	QTY	ITEM	PART NO.	DESCRIPTION	QTY
78	5-40403601	Pulley, Generator BK36H (603531E/G, 603537E/G)	1	107	90-4000	Washer, 1/4" (6035E/G)	4
79	Burner Assembly, See Burner Spec's Page 21			108	90-2000	Nut, ESNA, 1/4" (6035E/G)	2
80	2-00602	Elbow, 1/2" FNPT x 1/2" MJIC, 90°	1	109	95-07200053	Bracket, Oil Cooler, 24 HP, Honda, (6035E/G)	2
81	2-1061	Elbow, 1/2" MJIC x 1/4" MNPT (Honda)	1	110	90-1034	Bolt, M6 x 1.0 12 x Metric 8.8 SOC, (6035E/G)	2
	2-0053	Elbow, 1/2" MJIC x 3/8" MNPT (Vanguard)	1	111	90-4002	Washer, 3/8" SAE, Flat (Honda)	8
82	2-1060	Elbow, 1/2" JIC x 3/8", 90°	1		90-4001	Washer, 5/16", Flat, SAE (Vanguard)	8
83	2-010066	Elbow, Zinc	1	112	90-2002	Nut, 3/8" ESNA, NC (Honda)	4
84	2-0036	Tee, 1/2" FNPT, Steel	1		90-2001	Nut, 5/16", ESNA, NC (Vanguard)	4
85	2-9013	Clamp, 1/2" Ro-Clip	1	113	2-010069	Dip Tube, 11"	1
86	4-02110000	Hose, 1/2" Push-on	1 ft.	114	2-010067	Dip Tube, 9-1/8"	1
88	2-3245	Valve, Safety Relief, 4500 PSI	1	115	2-010061	Bushing, Nitrile	3
89	4-02100000	Hose, 1/4" Push-On Fuel Line (57")	2			▲ Not Shown	
90	4-02100000	Fuel Line, 1/4" (60")	1				
91	7-0139	Insulation, Fiber Sleeve, 1/2"	30"				
92	2-1081	Bushing, 3/4" x 1/2" NPT (Legacy Pump Models)	1				
93	2-000891	Nipple, 1/2" x 2-1/2", Galv. SCH. 80 Pipe	2				
94	2-1088	Hose Barb, 1/4" x 1/8" MNPT (Steam Option)	2				
95	2-1062	Elbow, 1/2" MNPT x 1/2" MJIC (Steam Option)	1 2				
96	2-0003	Nipple, 1/4" Close, SCH 80, Steel (Steam Option)	1				
97	2-30151	Valve, Flow Control W/Metering (Steam Option)	1				
98	2-1089	Hose Barb, 1/4" x 1/4" MNPT, 90° (Steam Option)	1				
99	4-02100000	Hose, 1/4" Push-On, Fuel Line (Steam Option)	.5 ft.				
	97-6134	▲ Shark Manual	1				
100	2-1105	Push-on JIC 1/2"	2				
101	4-02110000	Hose, 1/2" Push On	2 ft.				
102	2-1088	Hose Barb 1/4" x 1/8" 90°	1				
103	90-1020	Bolt, 3/8" x 2", NC HH	2				
104	90-4002	Washer, 3/8", Flat, SAE	20				
105	90-2002	Nut, 3/8", NC, ESNA	16				
106	90-1002	Bolt, 1/4" x 1" Hex Head (6035E/G)	2				

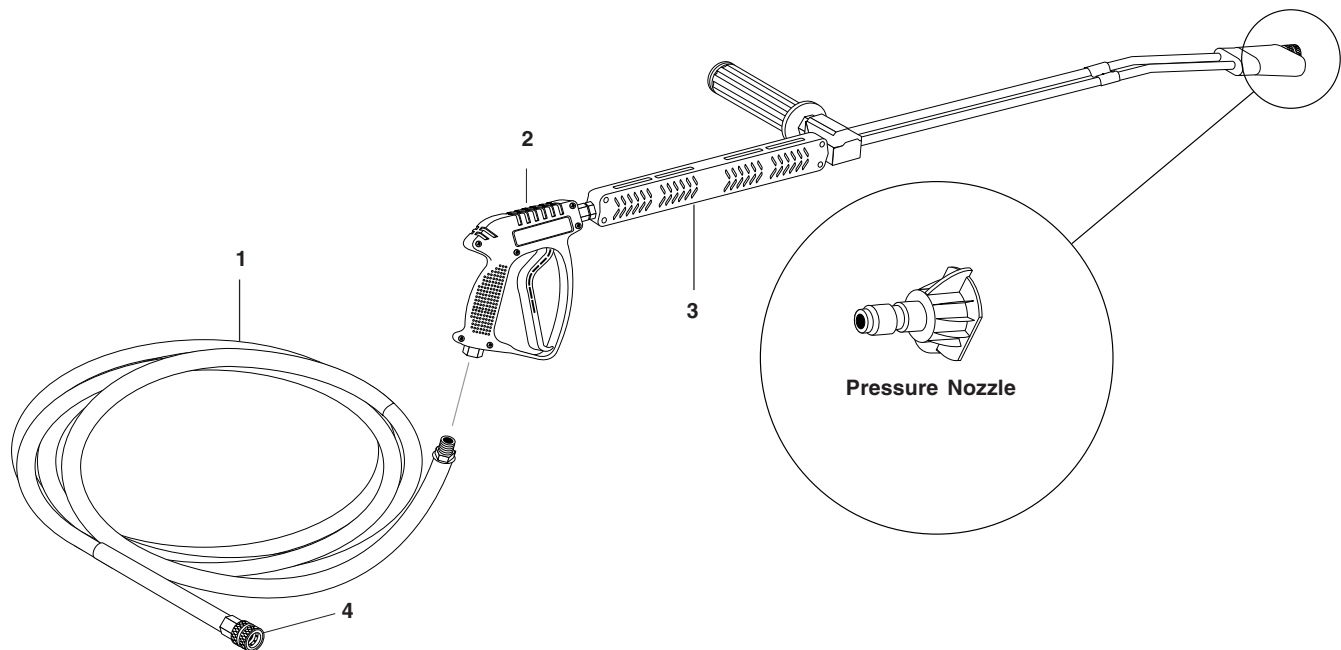
FLOAT TANK ASSEMBLY SHARK SSG



ITEM	PART NO.	DESCRIPTION	QTY
1	2-01164100	Tank, Float, 2-1/2 Gal	1
2	2-30123	Valve, Float Assembly Seat, Nylon	1
3	2-301231	Connector, Anchor	1
4	2-301232	Nut, Brass	1
5	2-1006	Nipple, Brass, 1/2" Close	1
6	2-1906	Strainer, 1/2" Basket	1

ITEM	PART NO.	DESCRIPTION	QTY
7	2-010049	Bulkhead, 1/2" PVC W/Gaskets	1
8	2-1062	Elbow, 1/2" JIC x 1/2", 90°	1
9	2-10943	Swivel, 1/2" MP x 3/4" GHF, W/Strainer	1
10	90-30021	Screw, #14, Tec, Black, Zinc	2
11	95-07200014	Support Plate, Float Tank	1

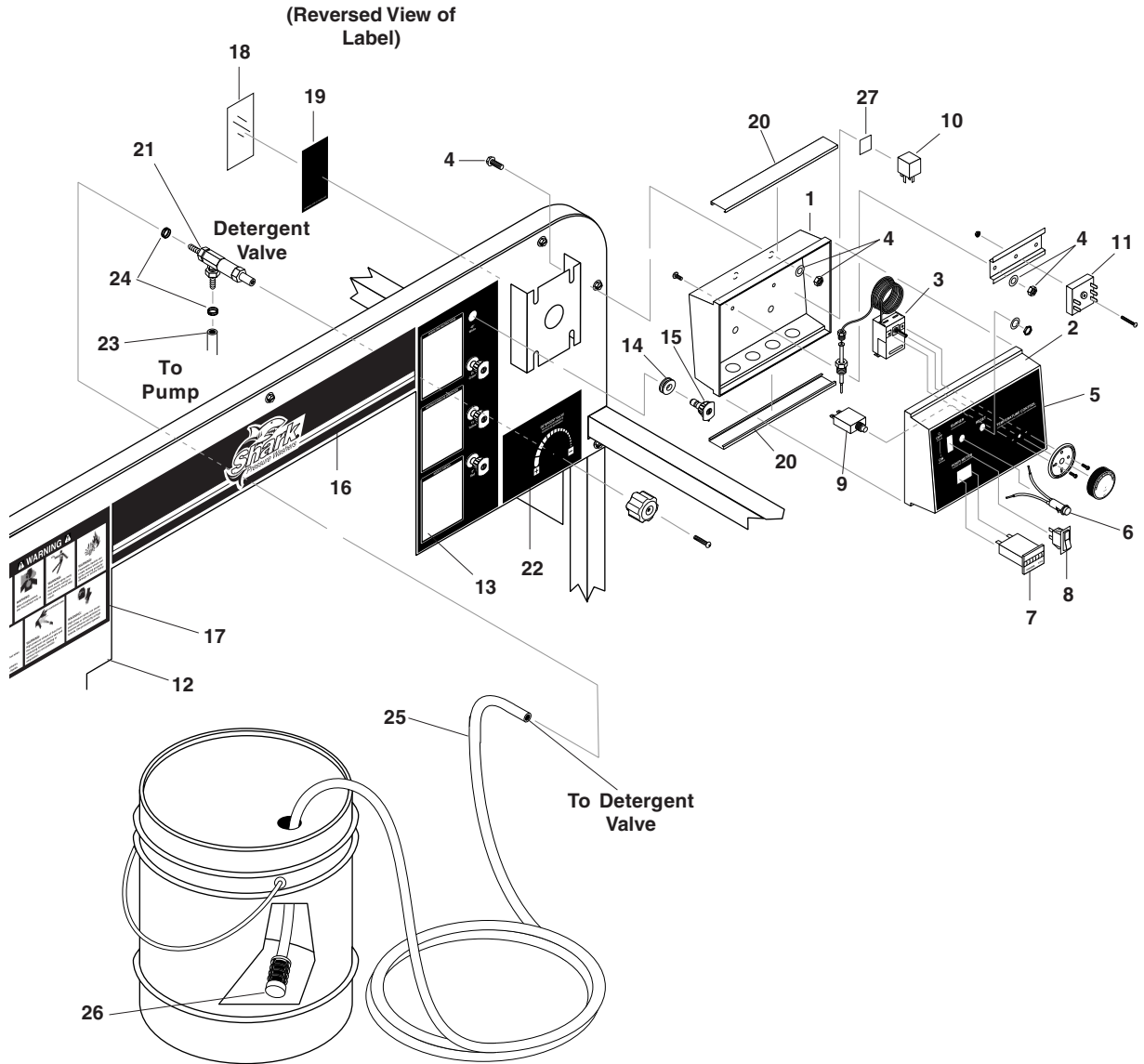
HOSE/SPRAY GUN ASSEMBLY & PARTS LIST
ALL MODELS



ITEM	PART NO.	DESCRIPTION	QTY
1	4-02073450RC	Hose 3/8" x 50', Red, 2 Wire W/Coupler	1
2	4-01226	Spray Gun, Shut Off, 10 GPM @ 4000 PSI	1
3	4-0111341A	Wand, VP w/Coupler & Nozzle, X-Series	1
	2-2001	▲ Coupler, 1/4" Male, Brass	1

ITEM	PART NO.	DESCRIPTION	QTY
3	4-06540	▲ Nozzle Only, H, 1/8", U-6540, Brass	1
	83-SSVPKIT	▲ Repair Kit, AL Stainless Seat	
	2-0119	▲ O-Ring Replacement Only	
4	2-2002	Coupler, 3/8", Female	1
		▲ Not Shown	

SSG CONTROL PANEL EXPLODED VIEW



**SSG CONTROL PANEL
EXPLODED VIEW PARTS LIST**

ITEM	PART NO.	DESCRIPTION	QTY
1	6-03915	Box, Plastic, Back	1
2	6-0391601	Box, Plastic, Front, Fabricated	1
3	4-05088	Thermostat, 302°F	1
	6-01270	▲ Conduit, Corrugated, 1/4" 3.3 ft	
4	90-1001	Bolt, 1/4" x 3/4" HH NC	4
	90-4000	Washer, 1/4" Flat, SAE	8
	90-2000	Nut, 1/4" ESNA, NC	4
5	11-1047	Decal, 12V Electrical Box	1
	11-1045	Decal, 120V Electrical Box (503021E/G, 503531E/G, 603531E/G, 503027E/G, 503537E/G, 603537E/G)	1
6	6-020590	12V Indicator Light, Green	1
	6-020530	120V, Indicator Light, Green (503021E/G, 503531E/G, 603531E/G, 503027E/G, 503537E/G, 603537E/G)	1
7	4-050823	Hour Meter, 12V, DC	1
	4-050822	Hour Meter, 120V (503021E/G, 503531E/G, 603531E/G, 503021E/G, 503531E/G, 603531E/G)	1
8	6-020251	Switch, Curvette	1
9	6-041250	Circuit Breaker, 25 Amp (503201E, 503531E, 603531E, 503207E, 503537E, 603537E)	1
10	6-036710	Relay, 24VDC, 40 Amp (503021E, 503531E, 603531E, 503027E, 503537E, 603537E)	1
	6-03671	Relay, 12 VDC, 40 Amp (353031E, 353037E, 403031E, 403037E)	1
	90-1999	Screw, 10/32"x3/4" BH SOC CS (353031E, 353037E, 403031E, 403037E)	1
11	6-0611	Rectifier, Bridge (3530E, 4030E, 503021E 503531E, 503027E, 503537E, 603531E, 603537E)	1
	90-1991	Screw, 10/32" x 1/2" BH SOC Black	1
	6-021595	Din Rail (12 VDC)	4"
12	95-07200008	Weldment, Control Panel	1
	90-1994	▲ Screw, Ground Post 10/32" x 1-1/4"	1
	2-01411	▲ Bushing, 1" Snap	1

ITEM	PART NO.	DESCRIPTION	QTY
13	11-1044	Decal, Operating Instructions	1
14	2-0103	Grommet, Rubber, Nozzle Holder	4
15	4-12806000	Nozzle, Red, 0° (503021E, 503027E, 603531E, 603531E/G, 603537E, 603537E/G)	1
	4-12805000	Nozzle, Red, 0° (503531E, 503531E/G, 503537E, 503537E/G)	1
	4-12805500	Nozzle, Red, 0° (503021E/G, 503027E/G)	1
	4-12806015	Nozzle, Yellow, 15° (503021E, 503027E, 603531E, 603531E/G, 603537E, 603537E/G)	1
	4-12805015	Nozzle, Yellow, 15° (503531E, 503531E/G 503537E, 503537E/G)	1
	4-12805515	Nozzle, Yellow, 15° (503021E/G, 503027E/G)	1
	4-12806025	Nozzle, Green, 25° (503021E, 503027E, 603531E, 603531E/G, 603537E, 603537E/G)	1
	4-12805025	Nozzle, Green, 25° (503531E, 503531E/G 503537E, 503537E/G)	1
	4-12805525	Nozzle, Green, 25° (503021E/G, 503027E/G)	1
	4-12806040	Nozzle, White, 40° (503021E, 503027E, 603531E, 603531E/G, 603537E, 603537E/G)	1
	4-12805040	Nozzle, White, 40° (503531E, 503531E/G 503537E, 503537E/G)	1
	4-12805540	Nozzle, White, 40° (503021E/G, 503027E/G)	1
16	11-0602	Decal, Shark Stripe	1
17	11-1043	Label, Warning	1
18	10-9999	Lexan, Cover, Outdoor	1
19	10-08017	Label, Outdoor	1
20	6-039141	Channel, Plastic	2
21	2-30152	Valve, Metering	1
22	11-0711	Label, Metering Valve	1
23	4-02090000	Hose, Braided	2 ft.

SSG CONTROL PANEL EXPLODED VIEW PARTS LIST CONT.

ITEM	PART NO.	DESCRIPTION	QTY
24	2-9040	Clamp, Hose, UNI .46 - .54	2
25	4-02080000	Hose, Clear Vinyl	6 ft.
26	2-1909	Strainer	1
27	2-90220	Mounting Square, DBL Backed Tape	1

▲ Not Shown

BECKETT BURNER SPECIFICATIONS

Model No.	Burner Assy No.	Fuel Nozzle	Transformer	Burner Motor	Fuel/Pump Solenoid/Cord	Fuel Solenoid Coil	Electrode
SSG-503021E	7-00030	7-0103	7-515242	7-21699	7-00098	7-21854U	7-5780
SSG-503027E	7-00030	7-0103	7-515242	7-21699	7-00098	7-21854U	7-5780
SSG-503021E/G	7-00011	7-01284	7-51824	7-21344U	7-21844U	7-21755U	7-578703
SSG-503027E/G	7-00011	7-01284	7-51824	7-21344U	7-21844U	7-21755U	7-578703
SSG-503531E	7-00030	7-0103	7-515242	7-21699	7-00098	7-21854U	7-5780
SSG-503537E	7-00030	7-0103	7-515242	7-21699	7-00098	7-21854U	7-5780
SSG-503531E/G	7-00011	7-01284	7-51824	7-21344U	7-21844U	7-21755U	7-578703
SSG-503537E/G	7-00011	7-01284	7-51824	7-21344U	7-21844U	7-21755U	7-578703
SSG-603531E/G	7-00011	7-01284	7-51824	7-21344U	7-21844U	7-21755U	7-578703
SSG-603537E/G	7-00011	7-01284	7-51824	7-21344U	7-21844U	7-21755U	7-578703

WAYNE BURNER SPECIFICATIONS

Model No.	Burner Assy No.	Fuel Nozzle	Transformer	Burner Motor	Fuel/Pump Solenoid/Cord	Fuel Solenoid Coil	Electrode
SSG-503021E/G	7-00034	7-0127	7-20358	7-0005	7-0009	7-0009611	7-13286
SSG-503027E/G	7-00034	7-0127	7-20358	7-0005	7-0009	7-0009611	7-13286
SSG-503531E/G	7-00034	7-0127	7-20358	7-0005	7-0009	7-0009611	7-13286
SSG-503537E/G	7-00034	7-0127	7-20358	7-0005	7-0009	7-0009611	7-13286
SSG-603531E/G	7-00034	7-0127	7-20358	7-0005	7-0009	7-0009611	7-13286
SSG-603537E/G	7-00034	7-0127	7-20358	7-0005	7-0009	7-0009611	7-13286