

DIAGRAM 1 - Super Tile Master® MODELS: STM-1500, STM-2000

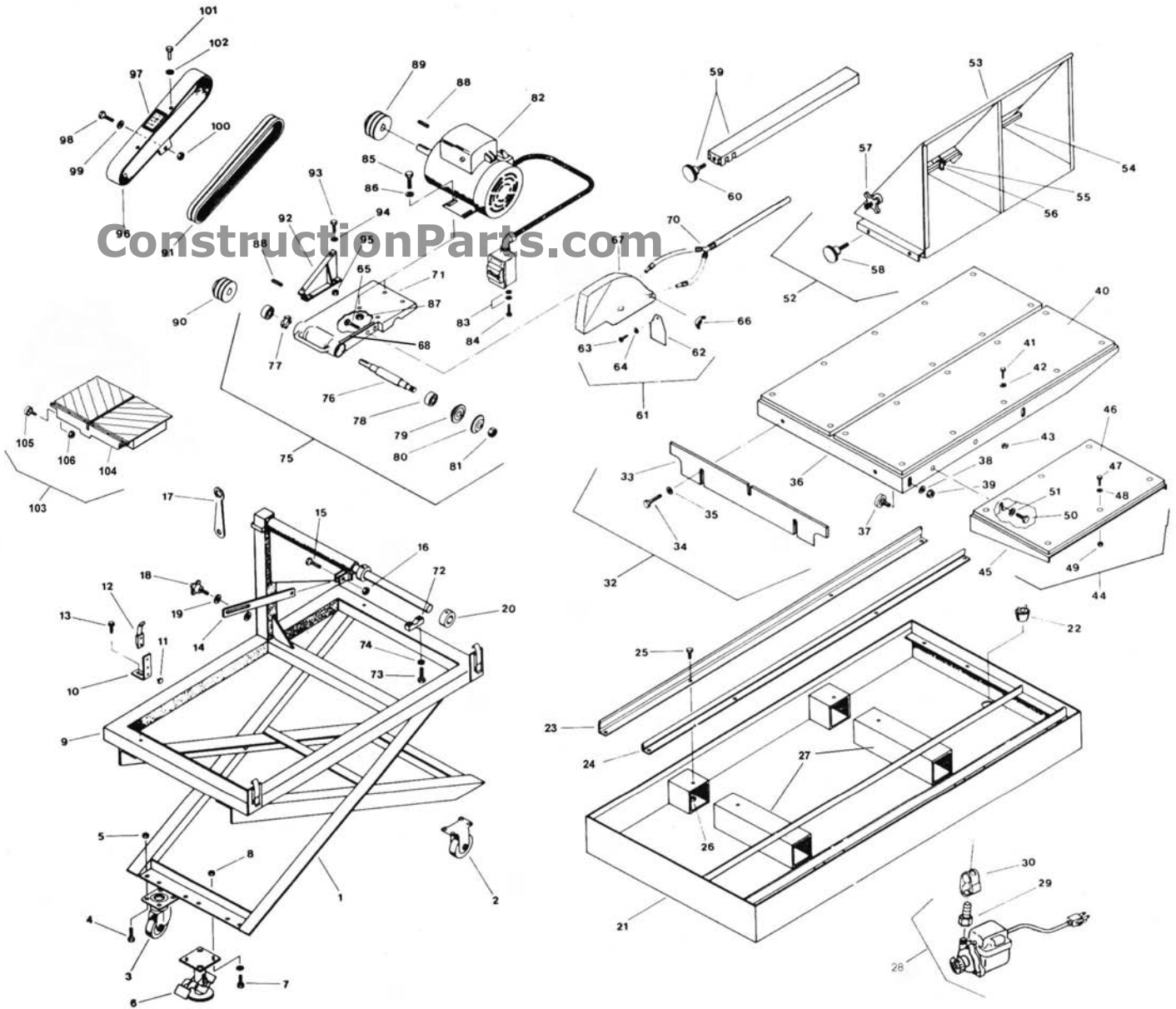
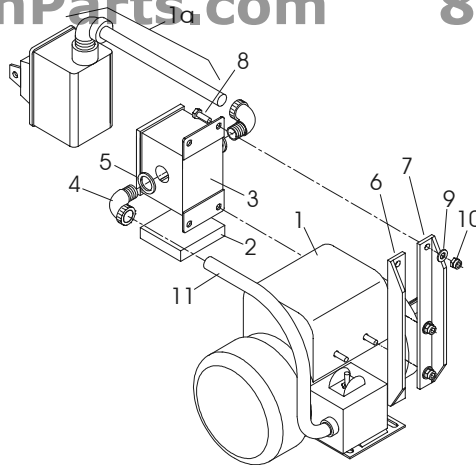


DIAGRAM 1 - PARTS LIST (9/17/03)

DIAG. LOC.	PART NO.	QTY. REQ.	DESCRIPTION	DIAG. LOC.	PART NO.	QTY. REQ.	DESCRIPTION
1	161634	1	Stand Weldment	59	161693	1	Rip Guide Assembly
2	161671	2	Rigid Castor	60	020323	1	Capscrew, Hex Hd. 3/8"-16 x 1"
3	161670	2	Swivel Castor	61	169332	1	Blade Guard Assy 10" (Incl. 23-31, 82)
4	021416	16	Capscrew, Hex Hd, 5/16"-18 x 1"	62	169365	1	Guard, Splash
5	020197	16	Locknut, Fiber, 5/16"-18	63	169366	1	Screw, Pan Hd, Self-Tapping, #8 x 3/8"
6	161687	4	Floor Lock	64	020739	1	Washer, Flat #10
7	048740	4	Capscrew, Hex Hd, 3/8"-16x1-1/4"	65	020126	1	Bolt, Carriage, 5/16"-18 x 1-3/4"
8	020199	4	Locknut, Fiber, 3/8"-16	66	020245	1	Locknut, Wing, 5/16"-18
9	161600	1	Frame Weldment	67	169548	1	Blade Guard, 10"
10	161658	2	Pan Stop Assy (Incl.11-12)	68	163248	1	Rubber Strip, Sponge
11	051065	4	Plastic Tabs	69	---	---	-----
12	197044	4	Latch	70	169564	1	Water Tube Assy, 1/4"Y x 72"
13	020489	2	Screw, Hex Hd, Self-Tapping 1/4"-20x3/4"	71	171032	1	Motor Base
14	161632	1	Lock Bar	72	189661	2	Bearing Cap
15	020373	1	Capscrew, Hex Hd, 5/16"-18 x 1-1/2"	73	020785	4	Lockwasher, Split, 5/16"
16	020197	16	Locknut, Fiber, 5/16"-18	74	020441	4	Capscrew, 5/16"-18 x 1-3/4"
17	161641	1	Wrench, Blade Shaft 15/16" x 9/16" Box	75	052004	1	Blade Shaft Assy (Incl. 58-63)
18	169486	1	Hand Knob, 5/16"-18 x 1"	76	052006	1	Shaft, Blade
19	020763	1	Washer, Flat, SAE 5/16"	77	071110	1	Washer, Spring
20	043260	2	Set Collar	78	071081	2	Bearing, Blade Shaft
21	161661	1	Pan	79	169522	1	Flange, Inner
22	030386	1	Drain Plug	80	169523	1	Flange, Outer
23	161624	2	Rail, Large Outer	81	020176	1	Nut, Thin Hex, 5/8"-18
24	161626	2	Rail, Small Inner (Optional)	82	54200605	1	Motor & Switch Assy, 1.5 HP, 115V-230/60/1
25	020301	16	Capscrew, Hex Hd, .25-20 x 5/8"	--	175056	1	Motor & Switch Assy, 2 HP, 115-230V/60/1 (542000716 Modified w/ Ammeter Assy)
26	020195	16	Locknut, Fiber 1/4"-20	--	161706	1	Motor & Switch Assy, 2 HP 240/50/1 (542000607 w/ Decals)
27	169635	2	Support, Inner Rail (Optional)	83	020741	4	Washer, Flat, 1/4"
28	161316	1	Water Pump Assembly, 115V/60/1	84	020489	2	Screw, Hex Washer Hd, 1/4"-20 x 3/4"
--	050216	1	Water Pump Assembly, 230V/50/1	85	021416	4	Capscrew, Hex Hd, 5/16"-18 x 1"
29	197237	1	Hose Barb 1/4" NPT x 1/4" OD	86	020742	4	Washer, Flat, 5/16"
30	161134	1	Valve, Flow Control	87	020197	4	Locknut, Fiber, 5/16"-18
31	----	--	-----	88	020060	2	Key, 3/16" Sq. x 1"
32	161663	1	Conveyor Cart Assy (Incl. 33-43)	89	030906	1	Pulley, 2G3V2.25 - .875 w/SS (For 1-1/2HP & 2HP)
33	161751	1	Back Stop	90	161696	1	Pulley, Blade Shaft 2G3V2.00 - .625 w/SS (For 1-1/2 HP & 2 HP)
34	048740	2	Capscrew, Hex Hd, 3/8"-16x1-1/4"	91	058020	2	V-Belt, 3VX280
35	020743	2	Washer, Flat, 3/8"	92	169499	1	Mounting Bracket, Belt Guard
36	161662	1	Cart Weldment	93	020370	4	Capscrew, 1/4"-20 x 3/4"
37	030822	4	Wheel, Cart	94	020262	4	Washer, Flat, 1/4"
38	020763	4	Washer, Flat, SAE 5/16"	95	020195	4	Locknut, Fiber, 1/4"-20
39	032366	4	Nut, KEPS, 5/16"-18	--	---	1	Belt Guard Assy (Incl. 96-102)
40	161622	2	Cutting Board, Cart	96	171013	1	Belt Guard
41	020411	12	Machine Screw, Hex Hd, #10-24 x 3/4"	97	169343	1	Decal: Warning/Caution
42	020739	12	Washer, Flat #10	98	021416	1	Capscrew, Hex Hd, 5/16"-18 x 1"
43	020194	12	Locknut, Fiber, #10-24	99	020763	1	Washer, Flat, SAE, 5/16"
44	161666	1	Extension Cart Assembly	100	020197	1	Locknut, Fiber, 5/16"-18
45	161667	1	Extension Cart Weldment	101	021423	2	Capscrew, Hex Hd, 1/4"-20 x 1/2"
46	161623	1	Cutting Board, Ext.	102	020762	2	Washer, Flat, 1/4"
47	020411	4	Machine Screw, Hex Hd, #10-24 x 3/4"	103	169573	1	Cart Assy, Conveyor (Incl.104-108) in Optional Deluxe Package
48	020739	4	Washer, Flat #10	104	169576	1	Cart, Conveyor w/ V-Top
49	020194	4	Locknut, Fiber, #10-24	--	030049	1	Wheels-Set of 4 (Incl. Items 105 & 106)
50	020323	2	Capscrew, Hex Hd, 3/8"-16 x 1"	105	032366	4	Nut, KEPS, 5/16"-18
51	020743	2	Washer, Flat 3/8"	106	030822	4	Wheel, Cart
52	161707	1	Miter Guide Assy. (Incl. 53-58)				
53	161650	1	Miter Guide Weldment				
54	161655	1	Locking Bolt				
55	050106	1	Spring				
56	050105	1	Stop				
57	050103	1	Knob, Metal				
58	161043	2	Knob				

DIAGRAM 2 – STM-2000 2 HP with Ammeter

(9/17/03)



DIAG. LOC.	PART NO.	QTY. REQ.	DESCRIPTION	DIAG. LOC.	PART NO.	QTY. REQ.	DESCRIPTION
--	175056	1	2 HP Motor-Ammeter (Incls 1-11)	6	175086	1	Mounting Bar, L.H.
1	542000716	1	2 HP Motor & Switch 115/230V/60/1	7	175087	1	Mounting Bar, R.H.
1a		1	Switch Assy – ONLY	8	020370	6	Capscrew, 1/4"-20 x 3/4"
2	175085	1	Mounting Pad – Foam Rubber	9	020742	6	Washer, Flat 1/4"
3	175079	1	Ammeter & Enclosure	10	020195	6	Locknut, Fiber, 1/4"-20
4	542182212	2	Connector, 90° Strain Relief	11	180817	2 ft	Cable, 12-5 SOW-A/SO
5	176953	2	Locknut, 3/4" Conduit				

WIRING DIAGRAM STM-2000 with Ammeter (9/17/03)

