



# **CONCRETE SAW PARTS LIST**

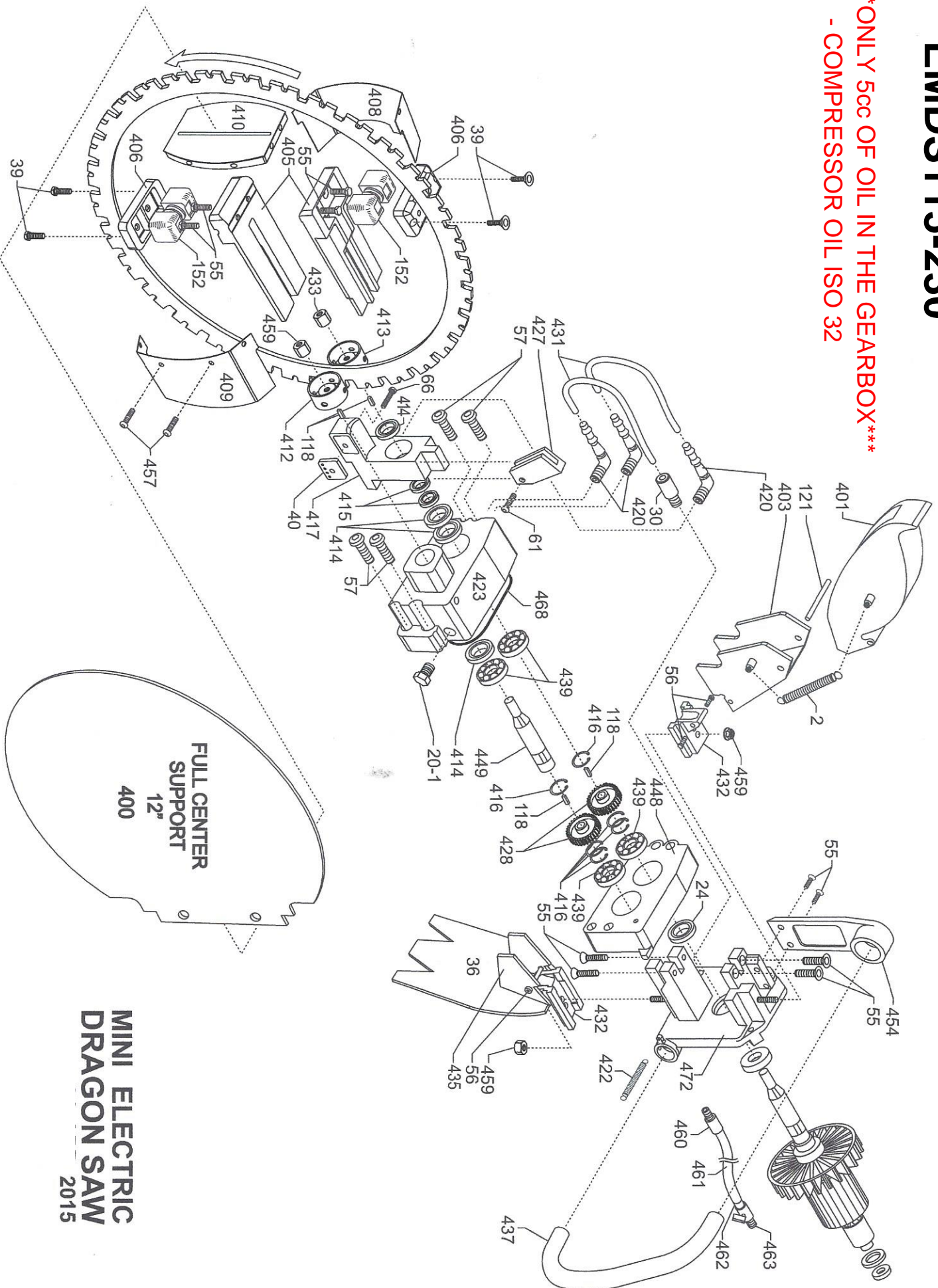
**MODEL  
EMDS115V-230V**

**AUG 2015  
Rev 2**

**Part #1802456**

# EMDS115-230

\*\*\* ONLY 5cc OF OIL IN THE GEARBOX \*\*\*  
- COMPRESSOR OIL ISO 32

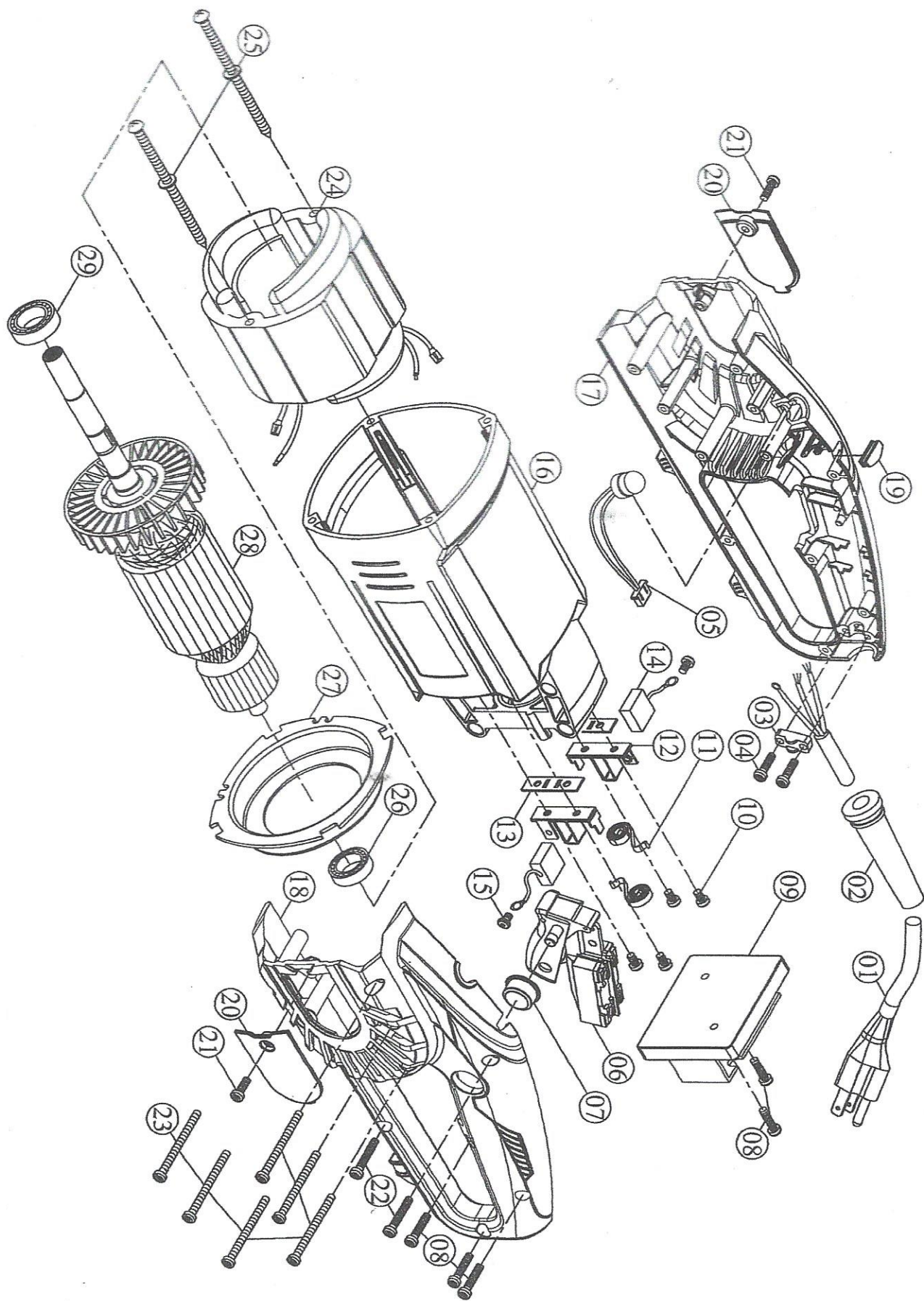


MINI ELECTRIC  
DRAGON SAW  
2015

MINI DRAGON SAW MAIN BODY

FIG#	REQ	PART #	DESCRIPTION	INFORMATION
2	2	6061189	SPRING	
20-1	1	6061300	PLUG HEX	
24	1	2703969	SEAL	
30	1	6061208	FITTING-WATER	
36	1	6061213	GUARD RUBBER FLOP	
39	4	2903250	SCREW	
40	1	6061184	WATER INJ. SKIP PLATE	
55	10	6061367	SCREW FLAT HEAD	1/4-20x3/4 FHSC
56	4	6061368	SCREW FLAT HEAD	1/4-20X1/2 BHSCS
57	6	2900247	SCREW SOCKET CAP	1/4-20x3/4 SHSC
61	1	2900427	BOLT	1/4-20X3/4 SCH
66	1	2903251	BOLT SKID PLATE	10-32X1 SHCS
118	4	2901599	KEY WAY	
121	1	6061246	DOWEL PIN	
152	2	6061253	GUIDE ROLLER	
400	1	6061397	CENTER SUPPORT 12"	
400-1	1	6061469	CENTER SUPPORT 16"	
401	1	6061398	BLADE GUARD	
403	1	6061399	UPPER GUARD	
405	2	6061400	ROLLER ARM	
406	2	6061401	ROLLER ARM COVER	
408	1	6061402	SHEILD LEFT	
409	1	6061403	SHIELD RIGHT	
410	1	6061404	SHIELD FRONT	
412	1	6061405	DRIVE ROLLER SMOOTH	
413	1	6061406	DRIVE ROLLER LIP	
414	4	6061407	SEAL	
415	2	6061408	BEARING	
416	6	6061409	C-CLIP	
417	1	6061410	COOLING BLOCK	
418	1	6061411	SEAL & BEARING KIT	
420	3	6061412	BRASS ELBOW	
422	1	6061413	SPRING	
423	1	6061414	TRANSMISSION	
427	1	6061415	WATER CHANNEL	
428	2	6061416	GEAR	
431	2	6061417	HOSE	
432	2	6061418	CLAMP BLOCK	
433	1	6061419	NUT LEFT HAND	5/16-18 FIN LH

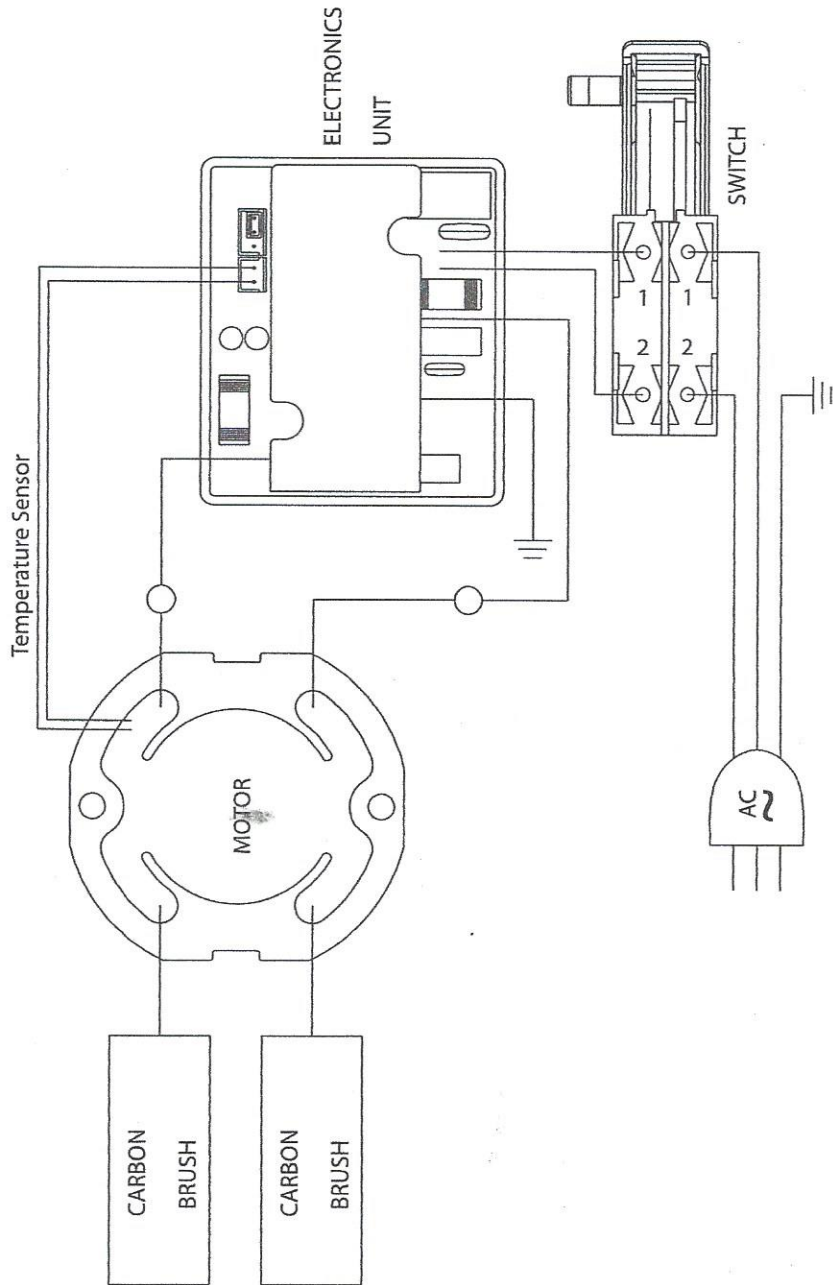
435	1	6061420	LOWER GUARD	
437	1	6061421	HANDLE	
439	4	6061422	BEARING	
448	1	6061423	TRANSMISSION COVER	
449	1	6061424	SHAFT	
454	1	6061425	BRACKET	
457	2	2900247	SHCS 1/4-20 x 3/4"	
458	1	6061426	1/2" WRENCH	
459	3	6061427	NUT	5/16-18 FLNC
460	1	6061428	1/4" MALE FITTING	
461	1	6061429	HOSE	
462	1	6061430	1/4" FEMALE FITTING	
463	1	6061431	1/4" VALVE	
468	1	6061432	O-RING	
472	1	6061433	COUPLER	
473	N/L	6061470	STORAGE BOX - OPTION	



ELECTRIC MOTOR

FIG#	REQ	PART #	DESCRIPTION	INFORMATION
1	1	6061434	US PLUG 110V	
1-1	1	6061435	VDE PLUG 220V	
2	1	6061436	CORD ARMOUR	
3	1	6061437	CORD CLIP	
4	2	6061438	SCREW	M4X14
5	1	6061439	LED INDICATOR LIGHT	
6	1	6061440	SWITCH	
7	1	6061441	SWITCH BUTTON	
8	4	6061442	SCREW	M4X16
9	1	6061443	ELECT UNIT 110V	
9-1	1	6061444	ELECT UNIT 220V	
10	4	6061445	SCREW	SC-M4X8
11	2	6061446	BRUSH SPRING	
12	2	6061447	BRUSH HOLDER	
13	2	6061448	INSULATE PLATE	
14	2	6061449	CARBON BRUSH	
15	2	6061450	SCREW	M4X6
16	1	6061451	MOTOR HOUSING	
17	1	6061452	HANDLE-RIGHT	
18	1	6061453	HANDLE-LEFT	
19	1	6061454	PLUG	
20	2	6061455	BRUSH CAP	
21	2	6061456	SCREW	M4X12
22		6061457	SCREW	M4X25
23	2	6061458	SCREW	M4X50
24	1	6061459	STATOR-110V	
24-1	1	6061460	STATOR-220V	
25	2	6061461	SCREW	M5X80
26	1	6061462	BEARING	6200LLU
27	1	6061463	FAN BAFFLE	
28	1	6061464	ARMATURE-110V	
28-1	1	6061465	ARMATURE-220V	
29	1	6061466	BEARING	6202-2NSE
30	1	6061467	MOTOR 115V	DRS12LY115V
31	1	6061468	MOTOR 230V	DRS12LY230V

# WIRING



## **EQUIPMENT AND PARTS WARRANTY**

Diamond Products warrants all equipment manufactured by it against defects in workmanship or materials for a period of **90 days** from the date of shipment to Customer.

The responsibility of Diamond Products under this Warranty is limited to replacement or repair of defective parts at Diamond Products' Elyria, Ohio factory, or at a point designated by it, of such parts as shall appear to us upon inspection at such parts, to have been defective in material or workmanship, with expense for transportation and labor borne by Customer.

In no event shall Diamond Products be liable for consequential or incidental damages arising out of the failure of any Product to operate properly.

Integral units such as engines, electric motors, batteries, transmissions, etc., are excluded from this Warranty and are subject to the prime manufacturer's warranty.

**THIS WARRANTY IS IN LIEU OF ALL OTHER WARRANTIES, EXPRESSED OR IMPLIED, AND ALL SUCH OTHER WARRANTIES ARE HEREBY DISCLAIMED.**



333 Prospect Street, Elyria, Ohio 44035  
(440) 323-4616 • (800) 321-5336 • Fax (440) 323-8689  
[www.diamondproducts.com](http://www.diamondproducts.com)