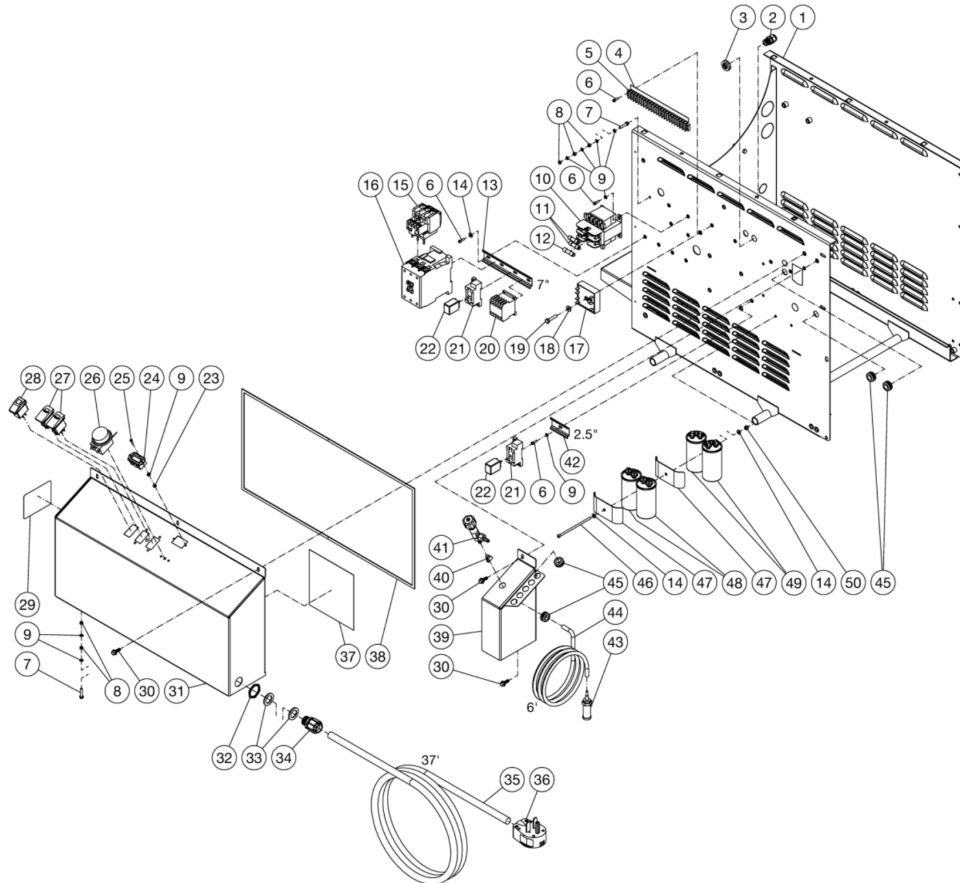




HHS-3005-2E8G / HHS-3005-2E8G (sn:0-99999999)

ELECTRIC BOX



Id	Item #	Description	Quantity
1	5-0337A18	CHASSIS	1
2	32-0586	STRAIN RELIEF	2
3	32-0587	ELECTRICAL LOCKNUT	2
4	N/A	DECAL - TERMINAL STRIP (SEE 71-0122)	1
5	32-0463	TERMINAL STRIP	1
6	27-8835	SCREW	7
7	27-8807	BOLT	2
8	30-6001	NUT	5
9	28-1009	STAR WASHER	11
10	32-0313	TRANSFORMER (2A, 2G, 8G MODELS)	1
10	32-0324	TRANSFORMER (1G MODELS)	1

Id	Item #	Description	Quantity
11	32-0467	FUSE	2
12	32-1084	FUSE	1
13	32-0316	DIN RAIL *(ONE FOOT REQUIRED)	1
14	28-0001	WASHER (3005)	4
14	28-0001	WASHER (1003, 2004, 3004)	2
15	32-0490	OVERLOAD (3005)	1
15	32-0485	OVERLOAD (3004)	1
15	32-1073	OVERLOAD (2004)	1
15	32-0482	OVERLOAD (1003)	1
16	32-0598	CONTACTOR (3005)	1
16	32-0328	CONTACTOR (2004, 3004)	1
16	32-0329	CONTACTOR (1003)	1
17	32-1172	TIMER SWITCH	1
18	28-0002	WASHER	1
19	27-0017	BOLT	1
20	32-1153	CONTACTOR	1
21	32-0321	SOCKET - RELAY 8 PIN	2
22	32-0320	RELAY - 24V	2
23	30-0052	NUT	2
24	32-0668	HOUR METER	1
25	27-8881	SCREW	2
26	32-0962	ADJUSTABLE THERMOSTAT	1
27	32-0801	SWITCH	2
28	32-0731	ROCKER SWITCH	1
29	N/A	DECAL - DATA PLATE	1
30	27-1200	BOLT	5
31	20-1343A18	ELECTRIC BOX	1
32	32-0515	LOCKNUT (3004, 3005)	1
32	32-0292	LOCKNUT (2004)	1
32	32-0108	LOCKNUT (1003)	1
33	28-0051	WASHER (1003)	2
34	9-0048	CORD RELIEF (3004, 3005)	1
34	9-0046	CORD RELIEF (2004)	1
34	32-0437	CORD RELIEF (1003)	1
35	32-0504	CORD (3004-2E8G, 3005) *(THIRTY SEVEN FEET REQUIRED)	1
35	32-0215	CORD (1003)	1
35	32-1223	CORD (3004-2E2A, 3004-2E2G)	1
35	32-0334	CORD (2004)	1
36	32-0012	PLUG (3004-2E8G, 3005)	1

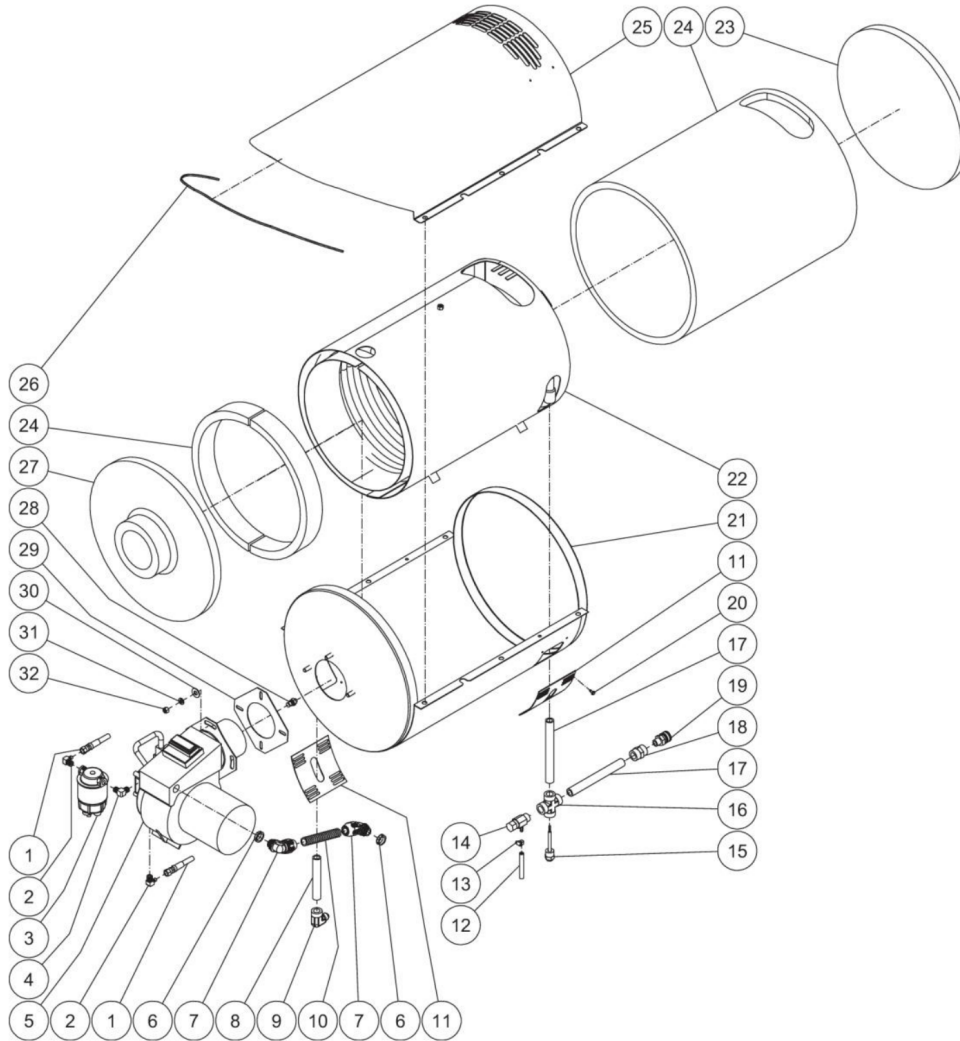
Id	Item #	Description	Quantity
37	41-0184	PLASTIC ZIPLOCK BAG	1
38	26-0240	GASKET	1
39	20-1344A18	CHEM INJ BOX	1
40	42-0004	CLAMP WORM	1
41	22-0226	DETERGENT VALVE	1
42	32-0316	DIN RAIL *(ONE FOOT REQUIRED)	1
43	19-0056	STRAINER	1
44	15-0021	CHEMICAL HOSE *(SIX FEET REQUIRED)	1
45	33-0001	GROMMET	8
46	27-0759	BOLT (3005)	1
46	27-0024	BOLT (3004)	2
46	27-0024	BOLT (2004)	1
47	20-0467	CAPACITOR CLAMP (3005)	2
47	20-0467	CAPACITOR CLAMP (2004)	1
47	20-0538A18	CAPACITOR CLAMP (3004)	1
48	32-0686	CAPACITOR (3005)	2
48	32-0686	CAPACITOR (2004, 3004)	1
49	32-0519	CAPACITOR (3004, 3005)	2
49	32-0519	CAPACITOR (2004)	1
50	30-0154	NUT (3005)	1
50	30-0155	NUT (3004)	2
50	30-0155	NUT (2004)	1

*MUST ORDER IN ONE FOOT LENGTHS



HHS-3005-2E8G / HHS-3005-2E8G (sn:0-99999999)

HEAT EXCHANGER



Id	Item #	Description	Quantity
1	15-0147	FUEL HOSE	2
2	23-0237	ELBOW	2
3	19-0070	FUEL FILTER / WATER SEPERATOR	1
4	23-0130	ELBOW	1
5	4-0034	BURNER (2G/A, 3G, 8G, 9G)	1
5	4-0033	BURNER (4G, 5G)	1
5	4-0032	BURNER (1G)	1
6	32-0108	ELECTRICAL LOCKNUT	2

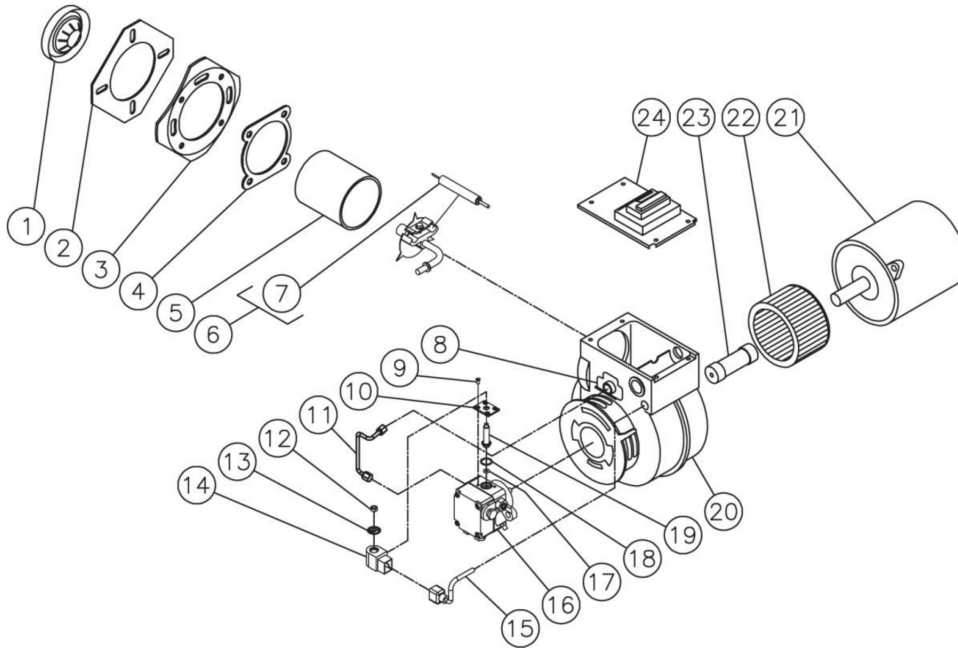
Id	Item #	Description	Quantity
7	32-0254	CONDUIT ELBOW	2
8	24-0245	PIPE NIPPLE	1
9	24-0240	ELBOW	1
10	32-0253	CONDUIT FLEX *(TWO FEET REQUIRED)	1
11	20-0537A18	PATCH PLATE	2
12	15-0008	FUEL HOSE *(TWO FEET REQUIRED)	1
13	42-0004	CLAMP WORM	1
14	22-0308	VALVE (1003, 2004)	1
14	22-0309	VALVE (3004, 3005)	1
15	32-0962	ADJUSTABLE THERMOSTAT	1
16	24-0241	CROSS	1
17	24-0255	PIPE NIPPLE	2
18	24-0243	ADAPTER	1
19	17-0007	QUICK CONNECT SOCKET	1
20	27-3062	BOLT	8
21	20-0527A18	BOTTOM WRAP	1
22	66-0014	COIL	1
23	33-0346	INSULATION DISC	1
24	850-0279	INSULATION BLANKET	1
25	21-0129	TOP WRAP	1
26	33-0020	EDGING *(THREE FEET REQUIRED)	1
27	33-0345	INSULATION DRUM HEAD	1
28	18-0090	FUEL NOZZLE (2004)	1
28	18-0091	FUEL NOZZLE (3004)	1
28	18-0093	FUEL NOZZLE (3005)	1
28	18-0356	FUEL NOZZLE (1003)	1
29	44-0108	GASKET	1
30	28-0023	WASHER	3
31	29-0008	LOCKWASHER	3
32	30-0006	NUT	3

*MUST ORDER IN ONE FOOT LENGTHS



HHS-3005-2E8G / HHS-3005-2E8G (sn:0-99999999)

BURNER ASSEMBLY



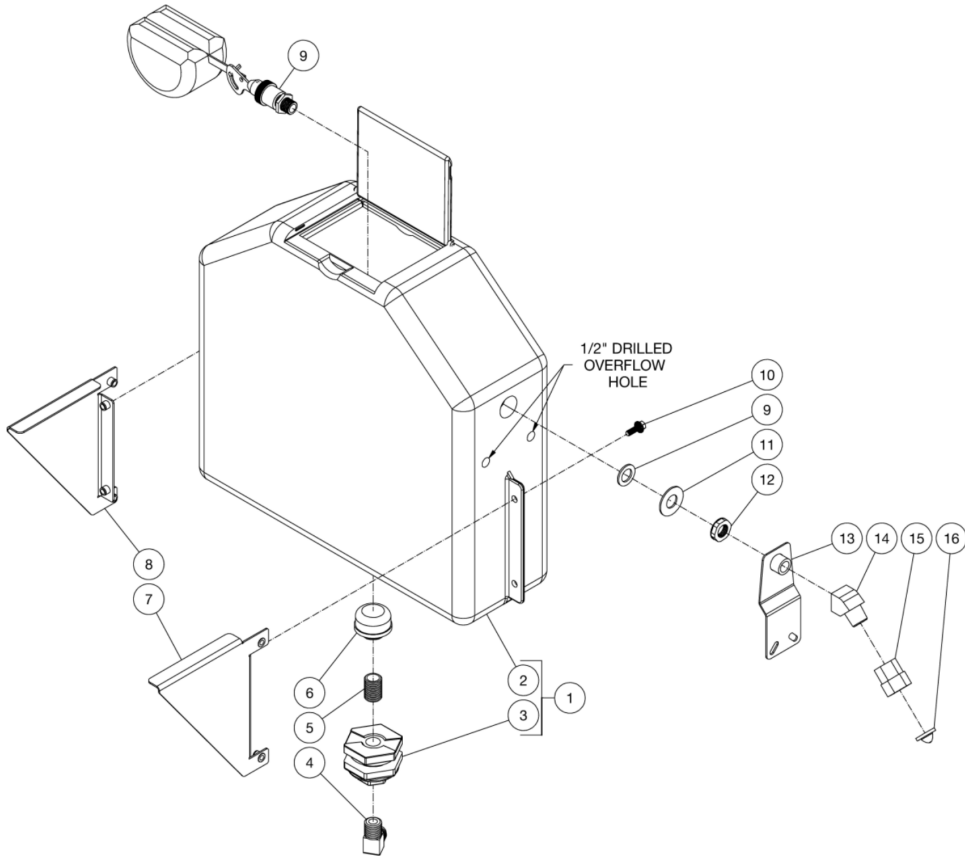
Id	Item #	Description	Quantity
1	44-0011	BURNER HEAD	1
2	44-0108	MOUNTING GASKET	1
3	44-0109	FLANGE	1
4	26-0138	GASKET	1
5	44-0110	AIR TUBE	1
6	44-0113	NOZZLE LINE ASSEMBLY	1
7	44-0114	ELECTRODE KIT	1
8	44-0031	ESCUTCHEON PLATE	1
9	N/A	SCREW	1
10	46-1004	BASE PLATE	1
11	44-0026	FUEL LINE	1
12	46-1016	PISTON NUT	1
14	44-0165	FUEL SOLENOID	1
15	44-0122	CORD SET	1
16	3-0434	FUEL PUMP	1
17	N/A	O-RING	1

Id	Item #	Description	Quantity
18	N/A	O-RING	1
19	46-1343	SOLENOID PISTON	1
20	44-0033	BURNER HOUSING	1
21	2-0068	MOTOR (4-0033)	1
21	2-0192	MOTOR (4-0034)	1
22	44-0071	BLOWER WHEEL	1
23	44-0014	COUPLER	1
24	44-0017	IGNITION TRANSFORMER (4-0033)	1
24	44-0015	IGNITION TRANSFORMER (4-0034)	1



HHS-3005-2E8G / HHS-3005-2E8G (sn:0-99999999)

FLOAT TANK



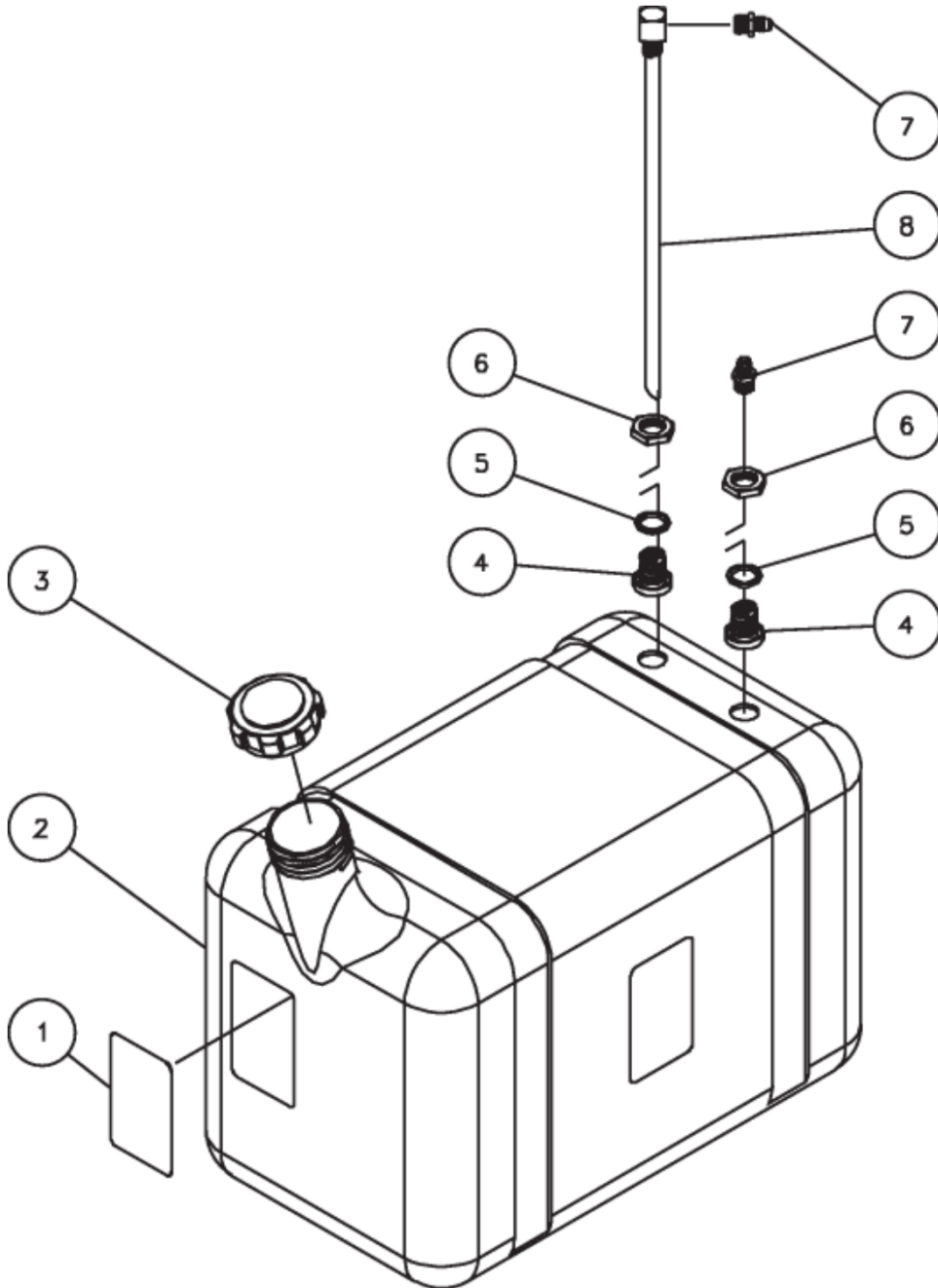
Id	Item #	Description	Quantity
1	850-0321	FLOAT TANK ASSY (INC 2-3)	1
2	N/A	FLOAT TANK	1
3	55-0886	BULKHEAD (INC. 25-0506 GASKET)	1
4	23-0389	ELBOW	1
5	23-0019	NIPPLE (2004/3005)	1
5	23-0392	NIPPLE (3004)	1
5	23-0403	NIPPLE (1003)	1
6	19-0203	STRAINER	1
7	20-1362A18	BRACKET HANDLE RIGHT	1
8	20-1363A18	BRACKET HANDLE LEFT	1
9	850-0238	FLOAT VALVE	1
10	27-1200	BOLT	4

Id	Item #	Description	Quantity
11	28-0050	WASHER	1
12	23-0138	NUT	1
13	20-1364A18	WATER INLET BRACKET	1
14	23-0344	ELBOW	1
15	23-0001	SWIVEL	1
16	19-0001	FILTER	1



HHS-3005-2E8G / HHS-3005-2E8G (sn:0-99999999)

FUEL TANK ASSEMBLY



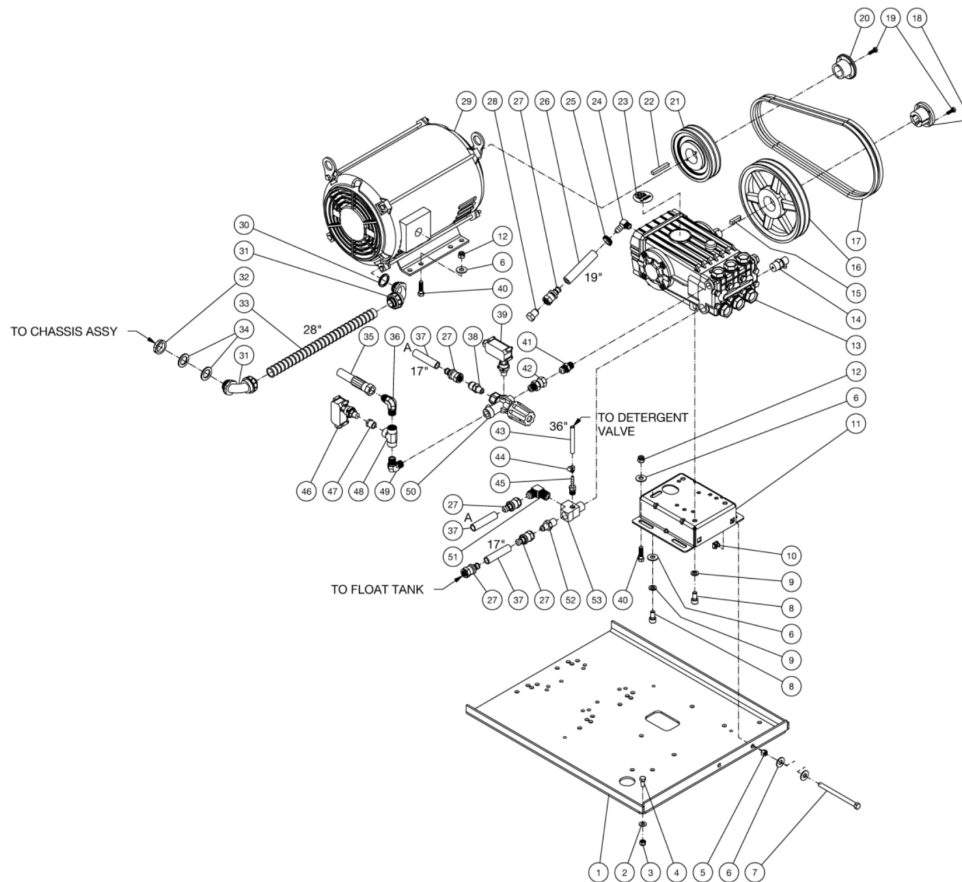
Id	Item #	Description	Quantity
1	34-1034	DECAL- CAUTION: RISK OF FIRE	1
2	12-0126	FUEL TANK	1
3	12-0033	VENTED FUEL CAP	1

Id	Item #	Description	Quantity
4	23-0408	BULKHEAD FITTING	2
5	25-0427	O-RING	2
6	23-0409	NUT	2
7	23-0247	FLARE FITTING	2
8	33-0352	FUEL PICK-UP	1



HHS-3005-2E8G / HHS-3005-2E8G (sn:0-99999999)

MOTOR/PUMP ASSEMBLY



Id	Item #	Description	Quantity
1	5-0152A18	MOTOR PUMP BASEPLATE	1
2	28-0003	WASHER	1
3	30-0157	LOCKNUT	1
4	27-0066	BOLT	1
5	30-0006	NUT	2
6	28-0023	WASHER	13
7	27-0133	BOLT	2
8	27-8471	BOLT (GENERAL)	4
8	27-8884	BOLT (AR)	4
9	29-0055	LOCKWASHER (GENERAL)	4
9	29-0054	LOCKWASHER (AR)	4

Id	Item #	Description	Quantity
10	30-6025	CLIP NUT	2
11	5-0153A18	PUMP HAT (GENERAL)	1
11	5-0154A18	PUMP HAT (AR)	1
12	30-0159	LOCKNUT	8
13	3-0202	PUMP (GENERAL)	1
13	3-0211	PUMP (AR)	1
13	3-0005	PUMP (1003)	1
14	22-0414	HEAT DUMP VALVE	1
15	43-0048	KEY	1
16	10-0007	PUMP SHEAVE (2004, 3004, 3005)	1
16	10-0066	PUMP SHEAVE (1003)	1
17	11-0008	BELT (2004)	2
17	11-0057	BELT (3004)	2
17	11-0030	BELT (3005)	2
17	11-0023	BELT (1003)	2
18	9-0017	PUMP BUSHING	1
19	27-0015	BOLT	4
20	9-0010	MOTOR BUSHING (2004)	1
20	9-0008	MOTOR BUSHING (3004, 3005)	1
21	10-0036	MOTOR SHEAVE (2004)	1
21	10-0041	MOTOR SHEAVE (3004)	1
21	10-0111	MOTOR SHEAVE (1003)	1
21	10-0104	MOTOR SHEAVE (3005)	1
22	43-0078	KEY	1
23	N/A	DECAL - PUMP	1
24	23-0119	ELBOW (GENERAL)	1
24	23-0050	ELBOW (AR)	1
25	42-0011	HOSE CLAMP	1
26	15-0305	HOSE *(TWO FEET REQUIRED)	1
27	23-0360	HOSE BARB	5
28	23-0411	PLUG	1
29	2-0120	MOTOR (1003-2E1G)	1
29	2-0107	MOTOR (2004-2E2G_A)	1
29	2-0109	MOTOR (3004-2E2G_A)	1
29	2-0132	MOTOR (3005-2E2G)	1
29	2-0108	MOTOR (2004-2E3G_2E4G)	1
29	2-0110	MOTOR (3004-2E3G_2E4G)	1
29	2-0112	MOTOR (3005-2E3G_2E4G)	1
29	2-0111	MOTOR (3004-2E5G)	1

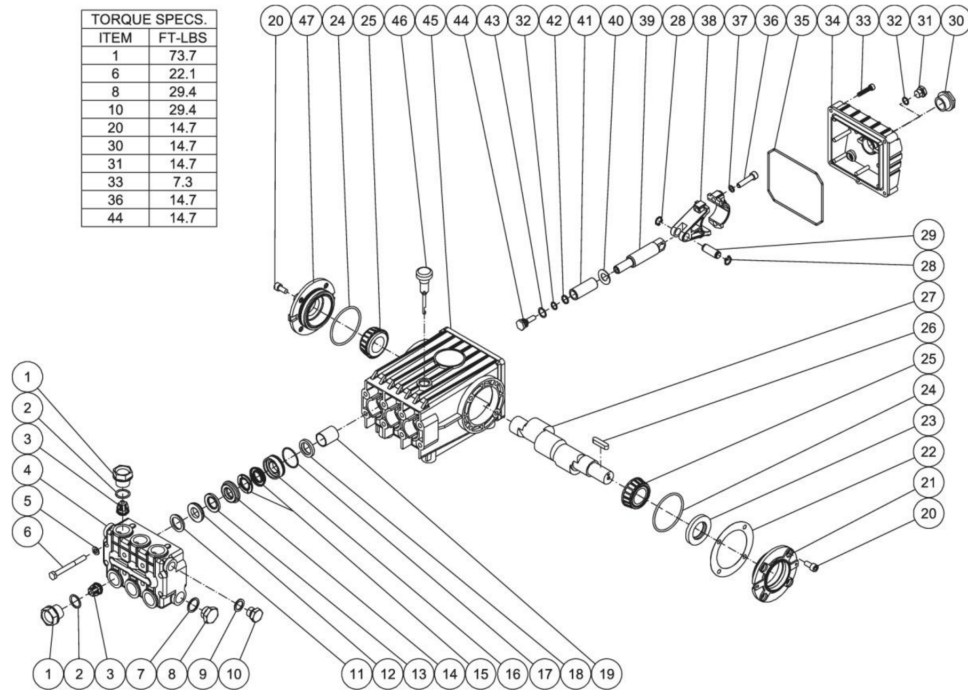
Id	Item #	Description	Quantity
29	2-0113	MOTOR (3005-2E5G)	1
29	2-0124	MOTOR (2004-2E8G)	1
29	2-0125	MOTOR (3004-2E8G)	1
29	2-0130	MOTOR (3005-2E8G)	1
29	2-0127	MOTOR (2004-2E9G)	1
29	2-0129	MOTOR (3004-2E9G)	1
29	2-0131	MOTOR (3005-2E9G)	1
30	26-0314	GASKET (2004, 3004, 3005)	1
31	32-0487	CONDUIT ELBOW (2004, 3004, 3005)	2
31	32-0254	CONDUIT ELBOW (1003)	2
32	32-0292	ELECTRICAL LOCKNUT (2004, 3004, 3005)	1
33	32-0486	CONDUIT FLEX (2004, 3004, 3005) *(THREE FEET REQUIRED)	1
33	32-0253	CONDUIT FLEX (1003) *(THREE FEET REQUIRED)	1
34	28-0051	WASHER (1003)	2
35	15-0221	HIGH PRESSURE HOSE ASSEMBLY	1
36	24-0092	ELBOW	1
37	15-0200	HOSE *(THREE FEET REQUIRED)	3
38	23-0370	NIPPLE	1
39	22-0171	PRESSURE SWITCH	1
40	27-0118	BOLT	8
41	24-0002	NIPPLE	1
42	24-0037	SWIVEL	1
43	15-0021	HOSE *(THREE FEET REQUIRED)	1
44	42-0004	CLAMP WORM	1
45	23-0051	BARB	1
46	22-0243	PRESSURE SWITCH	1
47	24-0181	BUSHING	1
48	24-0026	TEE	1
49	24-0131	ELBOW	1
50	850-0252	UNLOADER	1
51	23-0389	ELBOW	1
52	23-0361	NIPPLE	1
53	23-0388	STREET TEE	1

*MUST ORDER IN ONE FOOT LENGTHS



HHS-3005-2E8G / HHS-3005-2E8G (sn:0-99999999)

PUMP ASSEMBLY



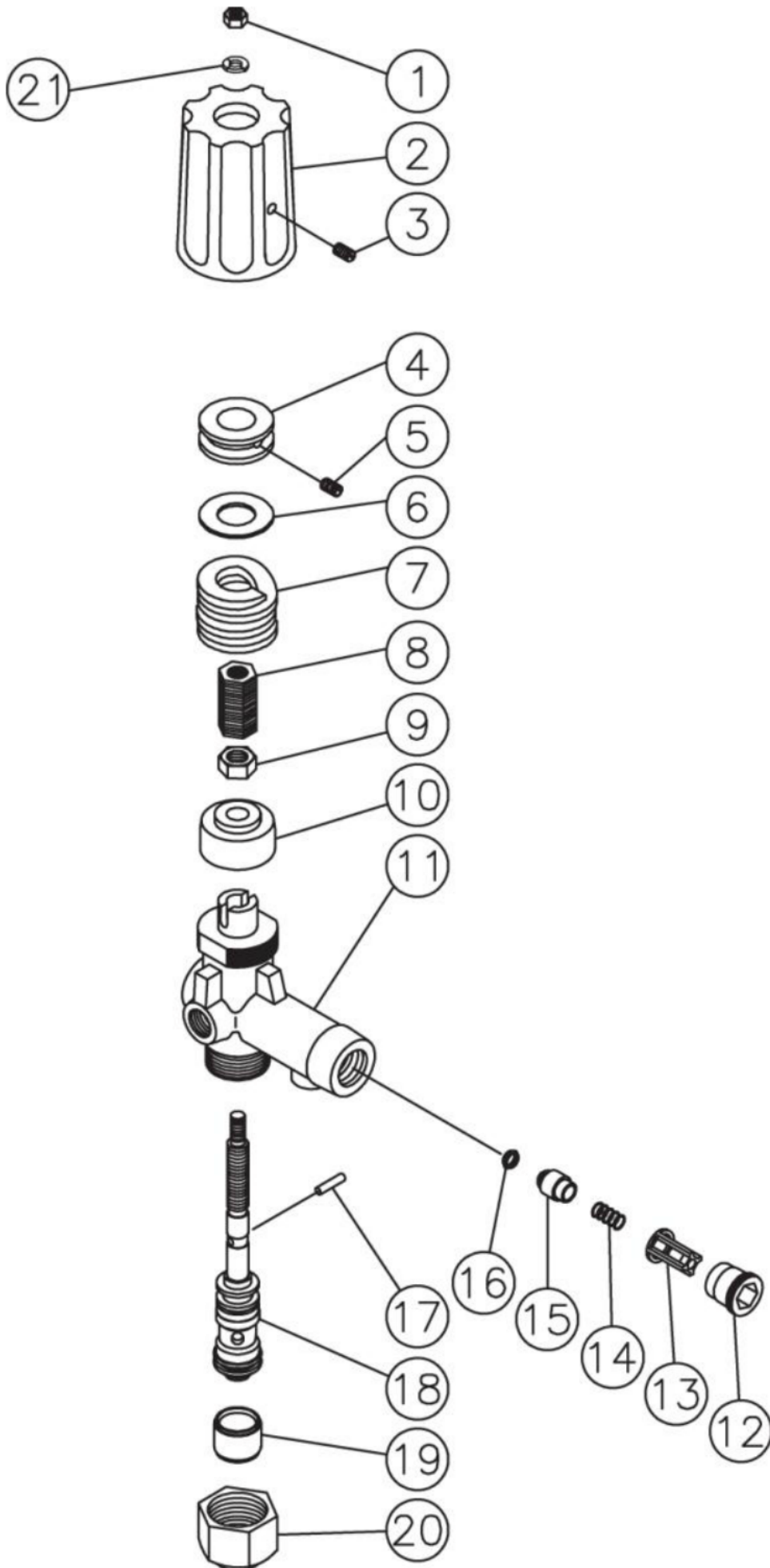
Id	Item #	Description	Quantity
1	46-0889	VALVE CAP	6
2	25-0012	O-RING	6
3	22-0056	VALVE (SEE KIT 70-0009)	6
4	46-0890	MANIFOLD	1
5	28-1039	WASHER	8
6	27-8185	BOLT	8
7	28-1038	WASHER	2
8	39-0019	PLUG	2
9	28-1002	WASHER	2
10	39-0018	PLUG	2
11	70-0030	HEAD RING (SEE KIT 70-0030 AND 852-0122)	3
12	26-0098	V-PACKING SUPPORT (SEE KIT 70-0147 AND 852-0122)	3
13	25-0207	O-RING (SEE KIT 70-0147 AND 70-0148 AND 852-0122)	3
14	46-0659	HIGH PRESSURE INTERMEDIATE SEAL RETAINER (SEE KIT 70-0148)	3
15	26-0197	PRESSURE SEAL (SEE KIT 70-0147 AND 852-0122)	3

Id	Item #	Description	Quantity
16	46-0057	LOW PRESSURE SEAL RETAINER	3
17	25-0015	O-RING (SEE KIT 852-0122)	3
18	26-0047	OIL SEAL	3
19	9-0029	BUSHING	3
20	27-8431	BOLT	8
21	46-0296	CRANKCASE COVER	1
22	46-0113	SHIM	1
23	26-0049	OIL SEAL	1
24	25-0013	O-RING	2
25	48-0012	BEARING	2
26	43-0048	KEY	1
27	46-0050	CRANKSHAFT	1
28	46-0103	RETAINING RING	6
29	43-0032	CONNECTING ROD PIN	3
30	46-0114	OIL LEVEL INDICATOR	1
31	39-0017	PLUG	1
32	25-0014	O-RING	4
33	27-8404	BOLT	5
34	46-0295	CRANKCASE OPEN COVER	1
35	25-0339	O-RING	1
36	27-8435	BOLT	6
37	29-0154	LOCKWASHER	6
38	46-0051	CONNECTING ROD	3
39	46-0056	PISTON ROD	3
40	46-0146	SLINGER WASHER	3
41	46-0052	PLUNGER	3
42	46-0109	BACK-UP RING	3
43	28-0400	WASHER	3
44	46-0069	NUT / PISTON	3
45	46-0047	CRANKCASE	1
46	46-0144	OIL DIP STICK	1
47	46-0336	CRANKCASE COVER	1
KIT	70-0009	VALVES (INC. 6 EACH 3)	
KIT	70-0030	HEAD RING (INC. 3 EACH 11)	
KIT	70-0147	V-PACKING (INC. 3 EACH 12, 13, 15)	
KIT	70-0148	INTERMEDIATE RETAINER (INC. 3 EACH 13, 14)	
KIT	852-0122	V-PACKING ASSY (INC. 3 EACH 11-13, 15, 17)	



HHS-3005-2E8G / HHS-3005-2E8G (sn:0-99999999)

UNLOADER

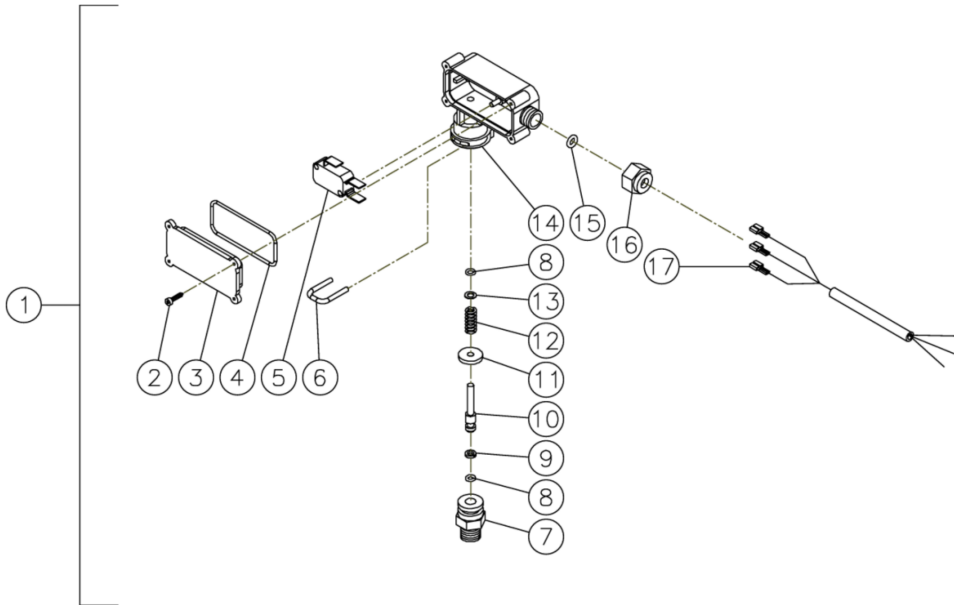


Id	Item #	Description	Quantity
1	8-0362	HEX NUT	1
2	7-0098	ADJUSTMENT KNOB	1
3	27-4280	SET SCREW	1
4	8-0364	ADJUSTMENT NUT	1
5	8-0365	SET SCREW	1
6	8-0366	GLIDE RING	1
7	49-0104	SPRING	1
8	8-0363	ADJUSTMENT INSERT	1
9	8-0367	HEX NUT	1
10	8-0368	BUSHING	1
11	8-0369	UNLOADER BODY	1
12	8-0269	RETAINER	1
13	8-0104	CHECK VALVE	1
14	49-0023	SPRING	1
15	8-0105	VALVE	1
16	25-0036	O-RING	1
17	8-0372	CYLINDER PIN	1
18	70-0243	PISTON ASSEMBLY	1
19	8-0371	SPACER	1
20	8-0157	STOP NUT	1
21	29-0006	LOCKWASHER	1



HHS-3005-2E8G / HHS-3005-2E8G (sn:0-99999999)

PRESSURE SWITCH



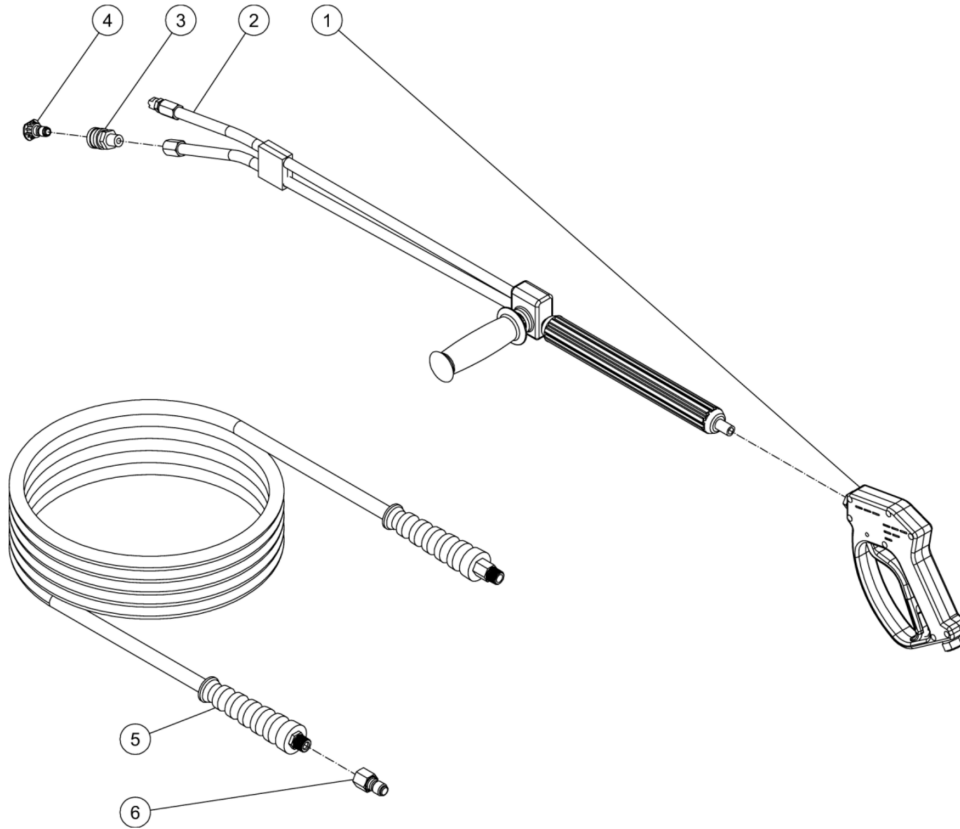
Id	Item #	Description	Quantity
1	22-0171	PRESSURE SWITCH- 15 BAR	1
1	22-0243	PRESSURE SWITCH- 25 BAR	1
2	N/A	SCREW	4
3	N/A	COVER	1
4	N/A Sep.	O-RING (SEE 70-0306)	1
5	N/A	MICRO SWITCH	1
6	N/A	RETAINER CLIP	1
7	N/A	BODY	1
8	N/A Sep.	O-RING (SEE 70-0306)	2
9	N/A Sep.	BACK-UP RING (SEE 70-0306)	1
10	N/A	PISTON	1
11	N/A	WASHER	1
12	49-0144	SPRING- 15 BAR	1
12	49-0145	SPRING- 25 BAR	1
13	N/A	WASHER	1
14	N/A	PLASTIC HOUSING	1

Id	Item #	Description	Quantity
15	N/A Sep.	O-RING (SEE 70-0306)	1
16	N/A	NUT- 15 BAR	1
16	N/A	NUT- 25 BAR	1
17	N/A	WIRE ASSEMBLY	1
KIT	70-0306	O-RING REPAIR KIT (INC. 4, 8-9, 15)	



HHS-3005-2E8G / HHS-3005-2E8G (sn:0-99999999)

GUN/WAND/HOSE ASSEMBLY



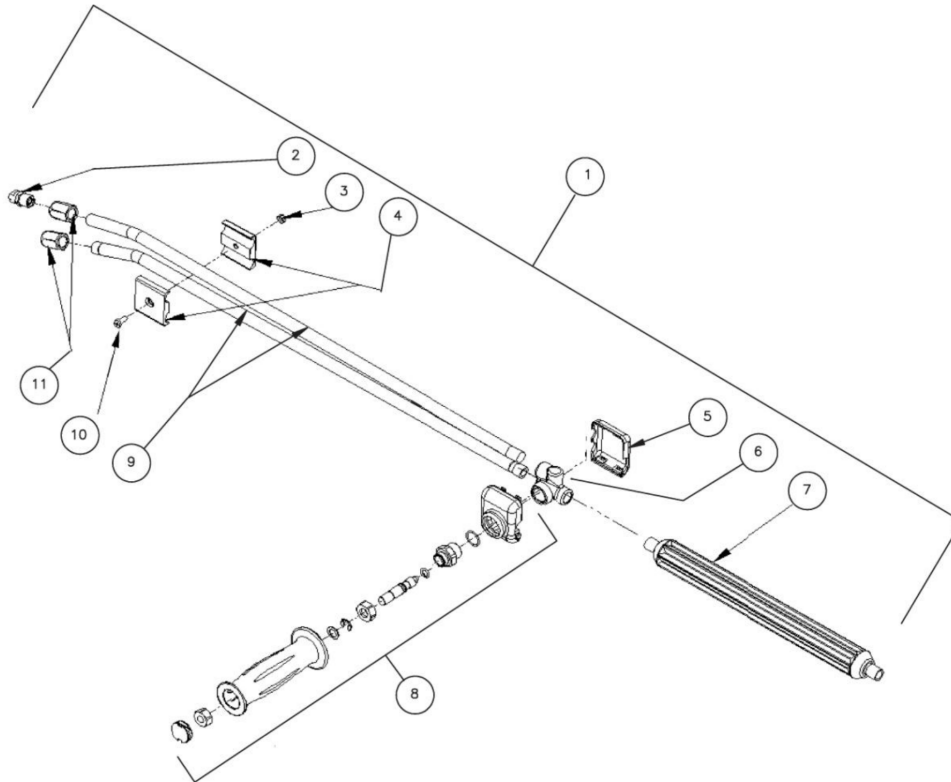
Id	Item #	Description	Quantity
1	16-0446	GUN	
3	17-0028	QC SOCKET	
2	16-0416	DUAL LANCE ASSY (1003, 2004, 3004)	
2	16-0417	DUAL LANCE ASSY (3005)	
4	18-0410	NOZZLE 00055 QC (1003, 3005)	
4	18-0411	NOZZLE 15055 QC (1003, 3005)	
4	18-0412	NOZZLE 25055 QC (1003, 3005)	
4	18-0413	NOZZLE 40055 QC (1003, 3005)	
4	18-0414	NOZZLE 00060 QC (2004)	
4	18-0415	NOZZLE 15060 QC (2004)	
4	18-0416	NOZZLE 25060 QC (2004)	
4	18-0417	NOZZLE 40060 QC (2004)	

Id	Item #	Description	Quantity
4	18-0402	NOZZLE 00045 QC (3004)	
4	18-0403	NOZZLE 15045 QC (3004)	
4	18-0404	NOZZLE 25045 QC (3004)	
4	18-0405	NOZZLE 40045 QC (3004)	
5	15-0146	HOSE ASSY (1003, 2004)	
5	15-0166	HOSE ASSY (3004, 3005)	
6	17-0006	QUICK CONNECT	



HHS-3005-2E8G / HHS-3005-2E8G (sn:0-99999999)

DUAL LANCE ASSEMBLY



Id	Item #	Description	Quantity
1	16-0416	DUAL LANCE ASSEMBLY - 36" (INC. 2-11)	1
1	16-0417	DUAL LANCE ASSEMBLY - 48" (INC. 2-11)	1
2	18-0110	DETERGENT NOZZLE	1
3	30-6001	NUT	1
4	16-0420	CLAMP	2
5	N/A Sep.	LOWER VALVE COVER (SEE 16-0416 OR 16-0417)	1
6	N/A Sep.	HOUSING (SEE 16-0416 OR 16-0417)	1
7	16-0419	LANCE	1
8	70-0419	HANDLE REPAIR KIT	1
9	N/A Sep.	LANCE (SEE 16-0416)	2
9	N/A Sep.	LANCE (SEE 16-0417)	2
10	27-8196	SCREW	1

Id	Item #	Description	Quantity
11	24-0280	NOZZLE ADAPTER	2