



# SERVICE/PARTS MANUAL

## MODEL: LJS2000



### Lift Jockey™ Narrow

A 100% employee-owned American manufacturer

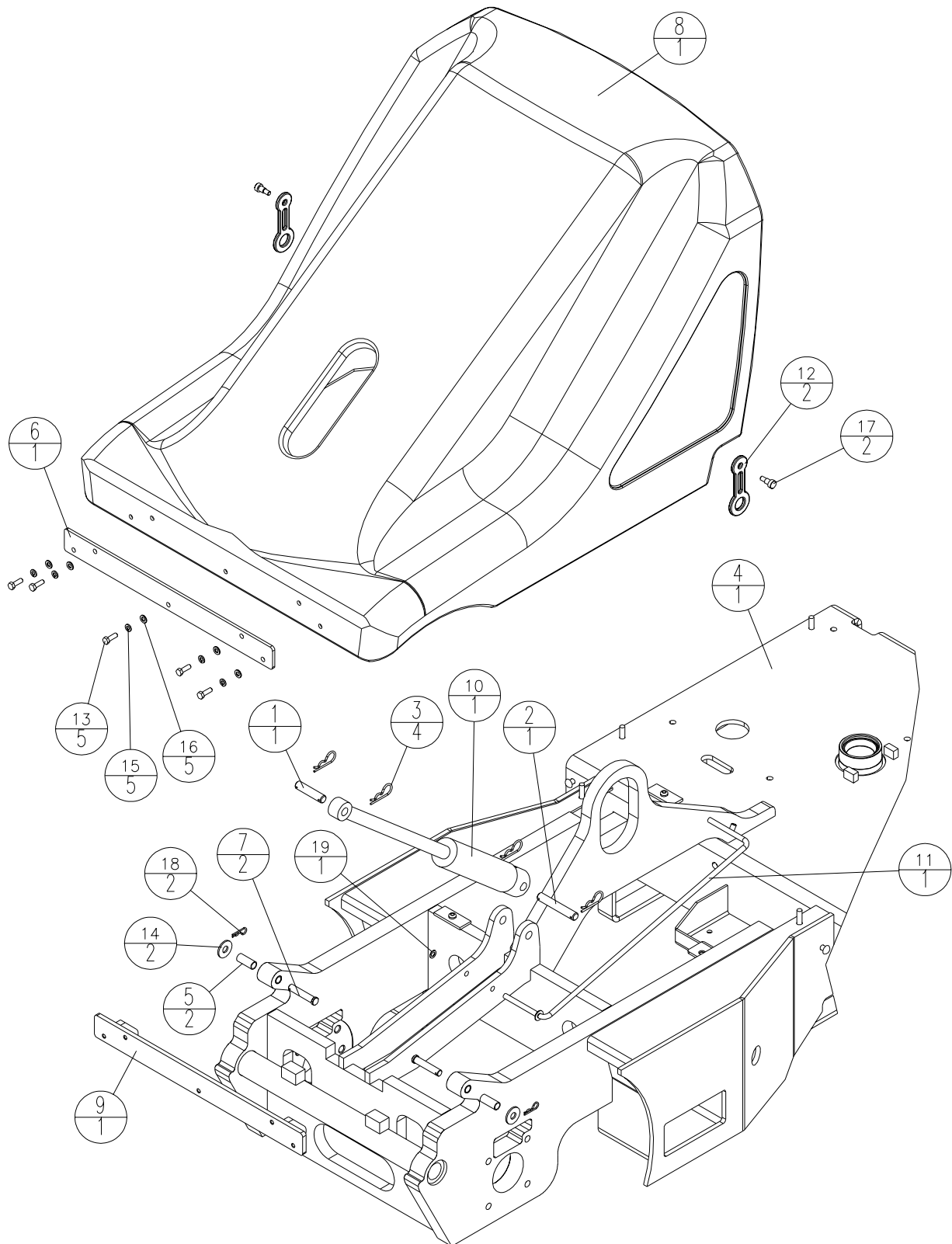
# PARTS LIST

## Exploded Views with Parts

Tilt Cylinder & Front Cowl Assembly .....	40-41
Engine Cowl Assembly .....	42-43
Engine Assembly .....	44-45
Pump Assembly .....	46-47
Battery/Hose Clamp Assembly .....	48-49
Steering Housing Assembly .....	50-51
Hydraulic Tank Assembly .....	52-53
Steering Handle/Fuel Tank Assembly .....	54-55
Platform/Brake Pedal Assembly .....	56-57
Brake Linkage Assembly .....	58-59
Wheel Motor, Brake & Tire Assembly .....	60-61
Quick Change Hub Assembly .....	62-63
Hand and Foot Mast Control Assembly .....	64-65
Mast Assembly .....	66-69
Lift Frame Assembly .....	70-71
Hydraulic Piping Schematic .....	72-75
Hydraulic System Schematic .....	76-77
Electrical Wiring Schematic .....	78-79
Decal Identification/Location .....	80-83

# PARTS LIST

## Tilt Cylinder & Front Cowl Assembly



# PARTS LIST

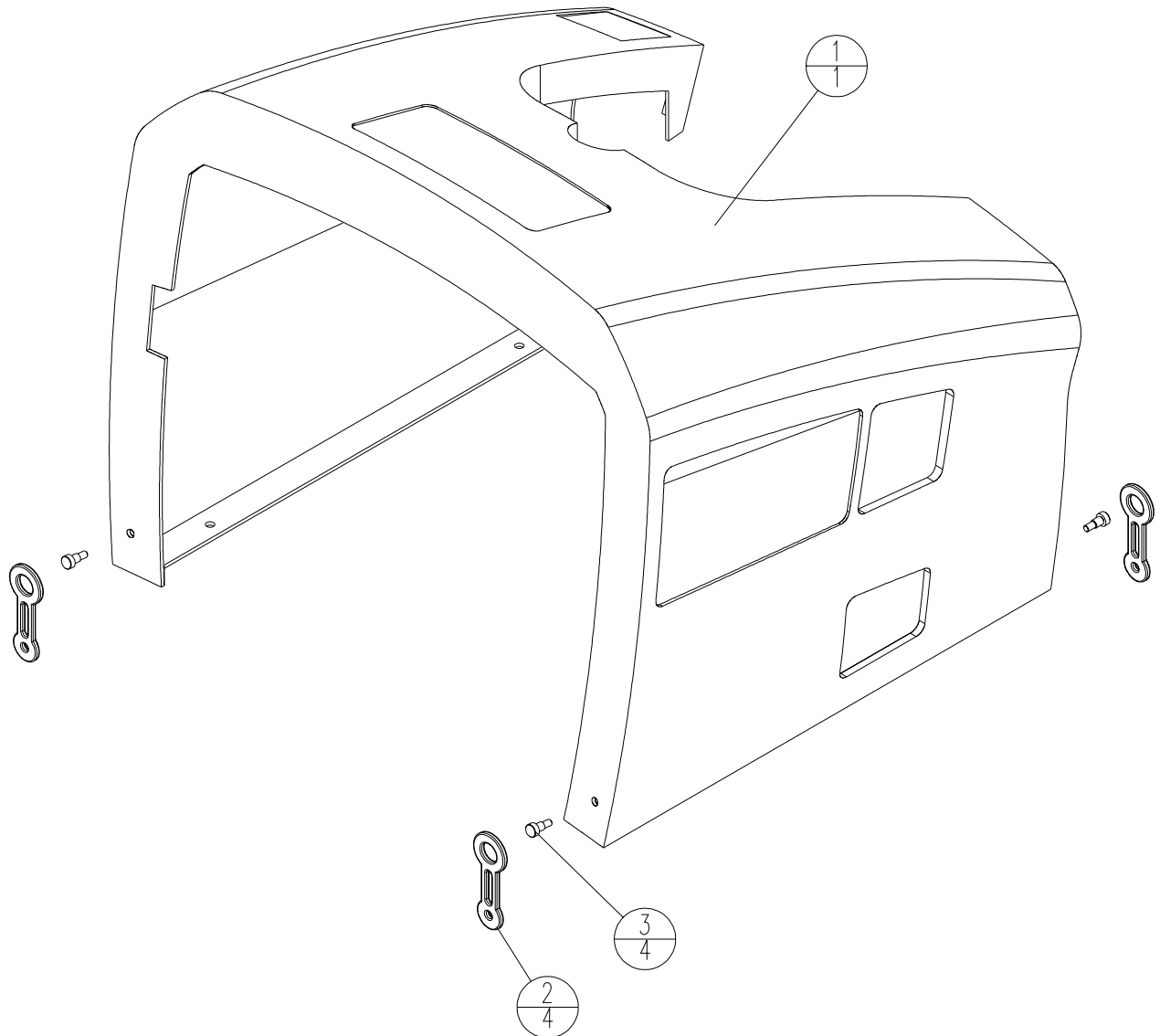
## Tilt Cylinder & Front Cowl Assembly

ITEM	PART NO.	DESCRIPTION	QTY
1	36928	PIN CLEVIS MAST	1
2	36929	PIN CLEVIS FRAME	1
3	37072	HITCH PIN 1/8 x 5/8	4
4	37290	WELD FRAME MAIN LJS2000	1
5	37323	BUSHING .625 OD X .500 ID X 1.5 LONG	2
6	37329-2	PLATE CLAMP HOOD	1
7	37330	CLVFN .500 OD. X 2.50 LG	2
8	37340	COWL FRONT	1
9	37342-2	WELD HINGE PLATE COWL	1
10	37365	CYLINDER HYD 2.00IN 2.95IN	1
11	37576-2	WELD ROD PROP	1
12	47182	LATCH COWL	2
13*	80087	HHCS M8-1.25 X 25 8.8 ZN	5
14	80118	WSHR WROT 1/2 ZN	2
15	80812	WSHRL M8 SPLIT ZN	5
16	80857	WSHR FLAT M8 X 16 ZN	5
17*	81130	SHSHB 10MM x 12 x M8 12.9 ZN	2
18	81172	PINHCH 5/16-3/8IN X 1-7/16IN ZN	2
19	81182	PSHNT 3/8IN ZN	1

\* LOCTITE 262

# PARTS LIST

## Engine Cowl Assembly



# PARTS LIST

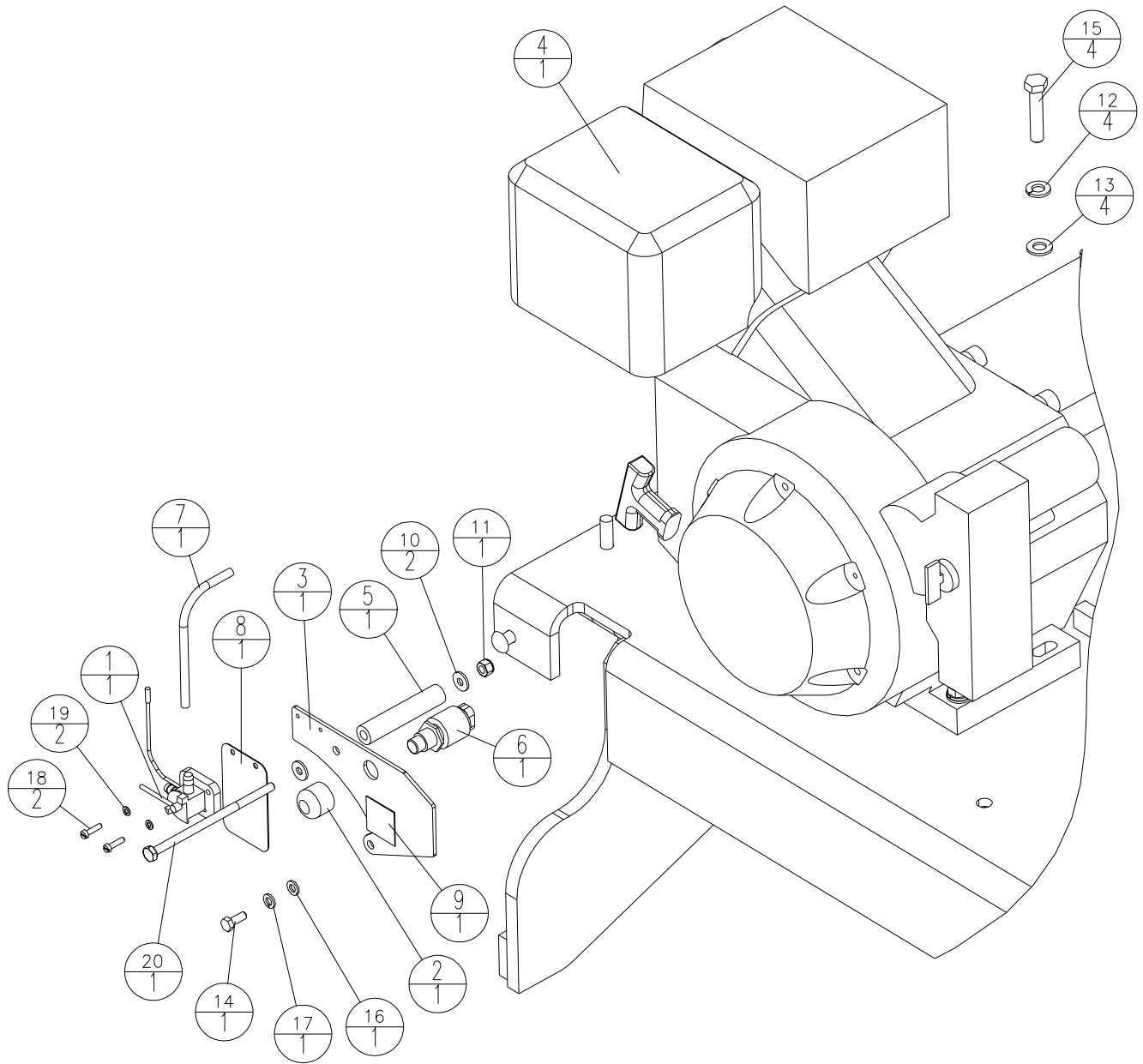
## Engine Cowl Assembly

ITEM	PART NO.	DESCRIPTION	QTY
1	37596	KIT MOVER LJS2000 COWL ENGINE	1
2	47182	LATCH COWL	4
3*	81130	SHSHB 10MM x 12 x M8 12.9 ZN	4

\* LOCTITE 262

# PARTS LIST

## Engine Assembly



# PARTS LIST

## Engine Assembly

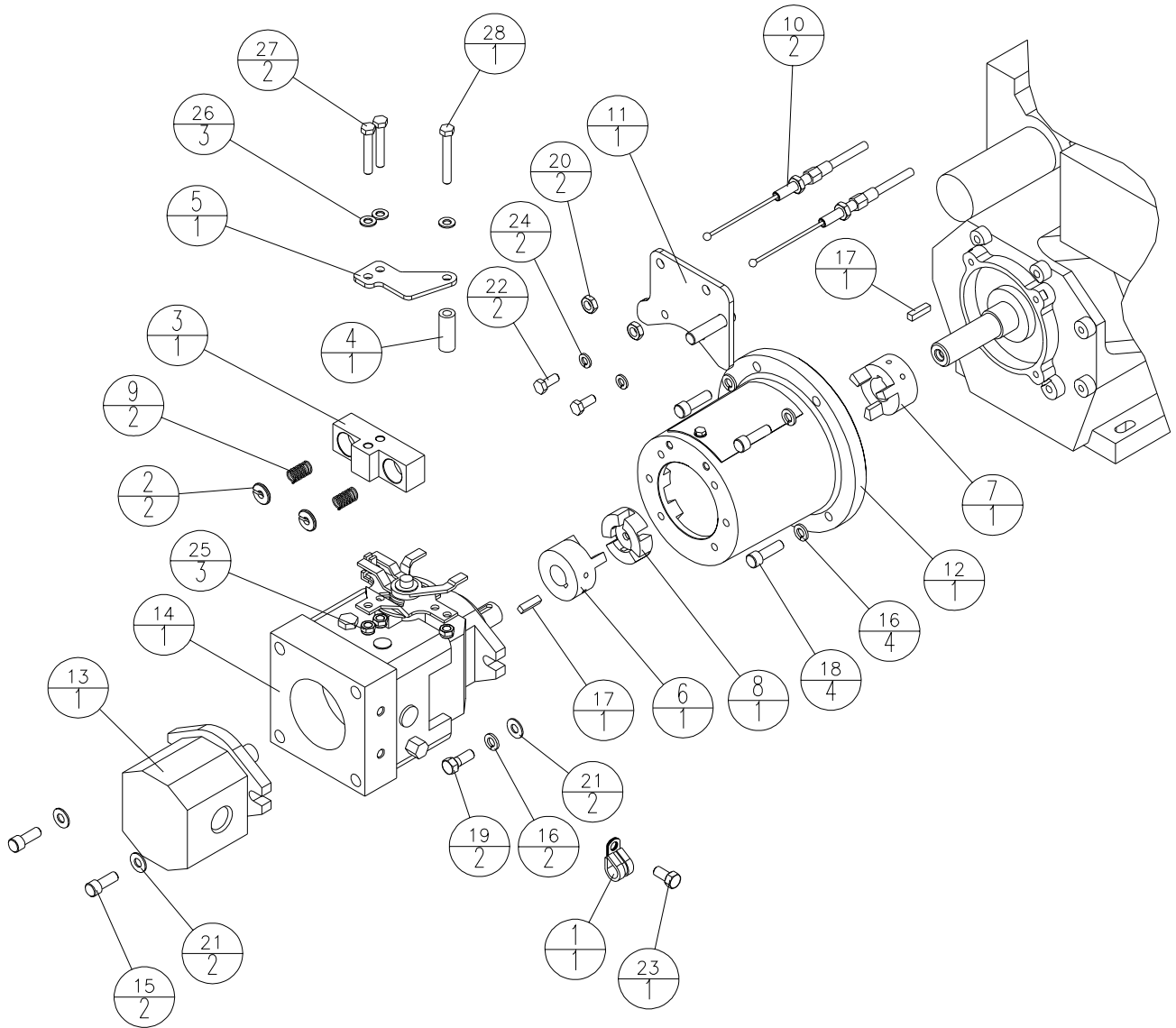
ITEM	PART NO.	DESCRIPTION	QTY
1	23130	VALVE/KILL SWITCH ASSEMBLY	1
2	37079	BUTTON SWITCH MOMENTARY	1
3	37509-2	PLATE SWITCH STOP FUEL	1
4	37515	KIT MOVER ENGINE 8HP HONDA	1
5	37517-2	SPACER PLATE SWITCH FUEL	1
6	39612	SWITCH MOMENTARY PUSH	1
7	45912	HOSE FUEL	1
8	55485	TAG SWITCH ENGINE	1
9	55486	TAG START	1
10	80571	WSHR 1/4 SAE ZN	2
11	80676	NUTNY 1/4-20 SS	1
12	80804	WSHRL M10 SPLIT ZN	4
13	80806	WSHR FLAT M10 X 20 ZN	4
14*	80836	HHCS M6-1 X 16 8.8 ZN	1
15*	80838	HHCS M10-1.5 X 50 8.8 ZN	4
16	80856	WSHR FLAT M6 X 12 ZN	1
17	80860	WSHRL M6 SPLIT ZN	1
18**	80926	CHSCS M4-.7 X 16 4.8 ZN	2
19	80929	WSHRL M4 SPLIT ZN	2
20	81133	HHCS 1/4-20 X 5 GR5 ZN	1

\* LOCTITE 262

\*\* LOCTITE 242

# PARTS LIST

## Pump Assembly



# PARTS LIST

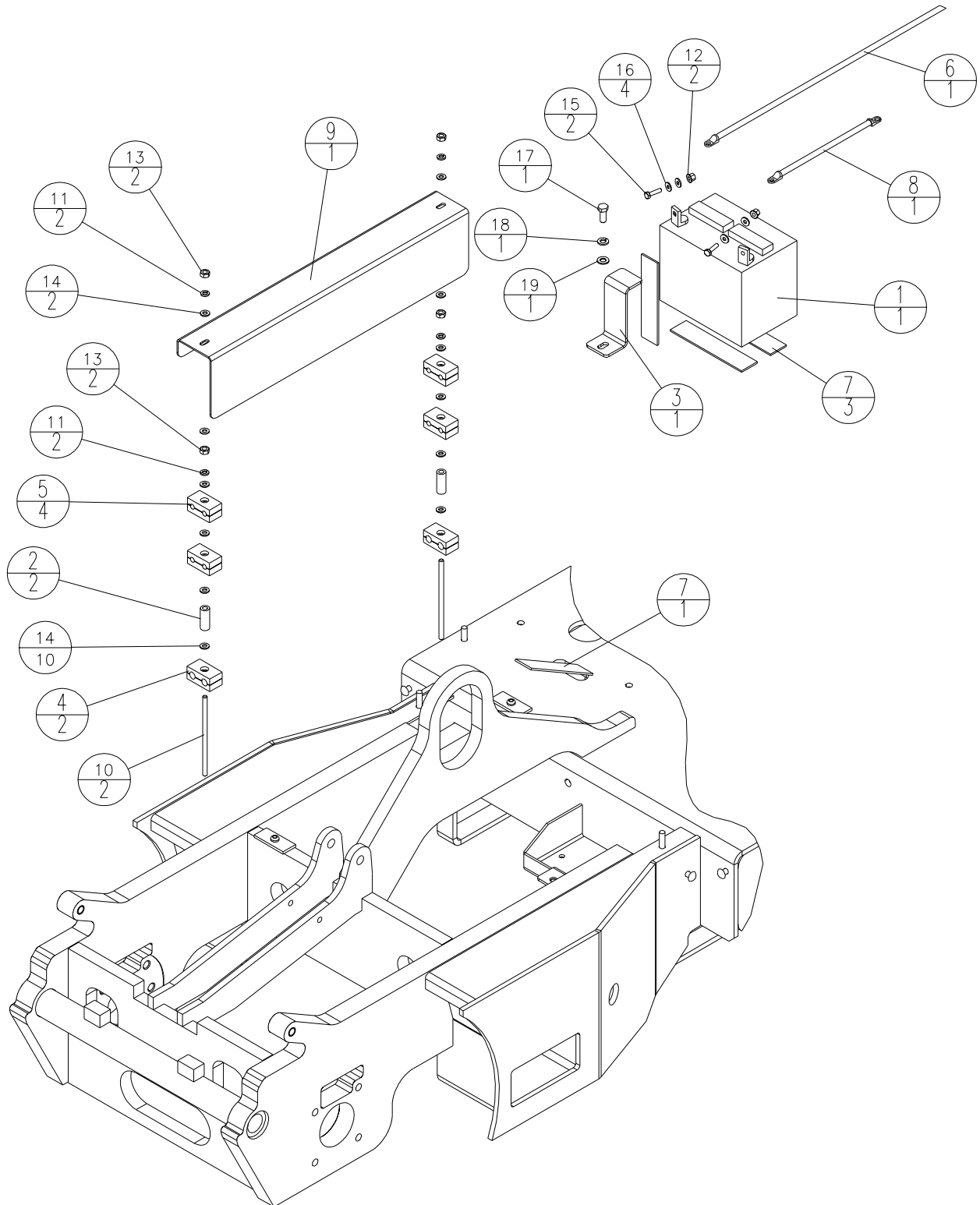
## Pump Assembly

ITEM	PART NO.	DESCRIPTION	QTY
1	35448	CLAMP 5/8 RUBBER LOOP	1
2	37512-2	SPACER CABLE CLIP	2
3	37513	BRACKET PUMP CONTROL	1
4	37518-2	SPACER PLATE CONTROL	1
5	37519-2	PLATE SUPPORT CONTROL	1
6	37546	COUPLING PUMP	1
7	37547	COUPLING PUMP	1
8	37548	INSERT COUPLING PM90	1
9	37572	SPRING COMP.	2
10	37586	CABLE THROTTLE LJS2000	2
11	37590-2	WELD BRACKET CABLE PUMP	1
12	50113	ADAPTOR MOTOR/PUMP	1
13	50115	PUMP GEAR HYDRAULIC 6CC 2500PSI	1
14	50116	PUMP PISTON HYDRAULIC 16CC 2500PSI	1
15*	80047	SHCS 3/8-16 X 1 BLK	2
16	80058	WSHRL 3/8 MED SPLIT ZN	6
17	80100	KEY SQ 1/4 X 1 PLN	2
18*	80101	SHCS 3/8-16 X 1-1/4 BLK	4
19*	80102	HHCS 3/8-16 x 1 PLN	2
20	80243	NTFXJ 3/8-24 ZN	2
21	80342	WSHR SAE 3/8 ZN	4
22*	80406	HHCS M8-1.25 X 20 8.8 ZN	2
23*	80686	HHCS 3/8-16 X 3/4 GR8 ZN	1
24	80812	WSHRL M8 SPLIT ZN	2
25	80817	NUTNY M8-1.25 ZN	3
26	80857	WSHR FLAT M8 X 16 ZN	3
27	80883	HHCS M8-1.25 X 50 8.8 ZN	2
28	80944	HHCS M8-1.25 X60 8.8 ZN	1

\* LOCTITE 262

# PARTS LIST

## Battery/Hose Clamp Assembly



# PARTS LIST

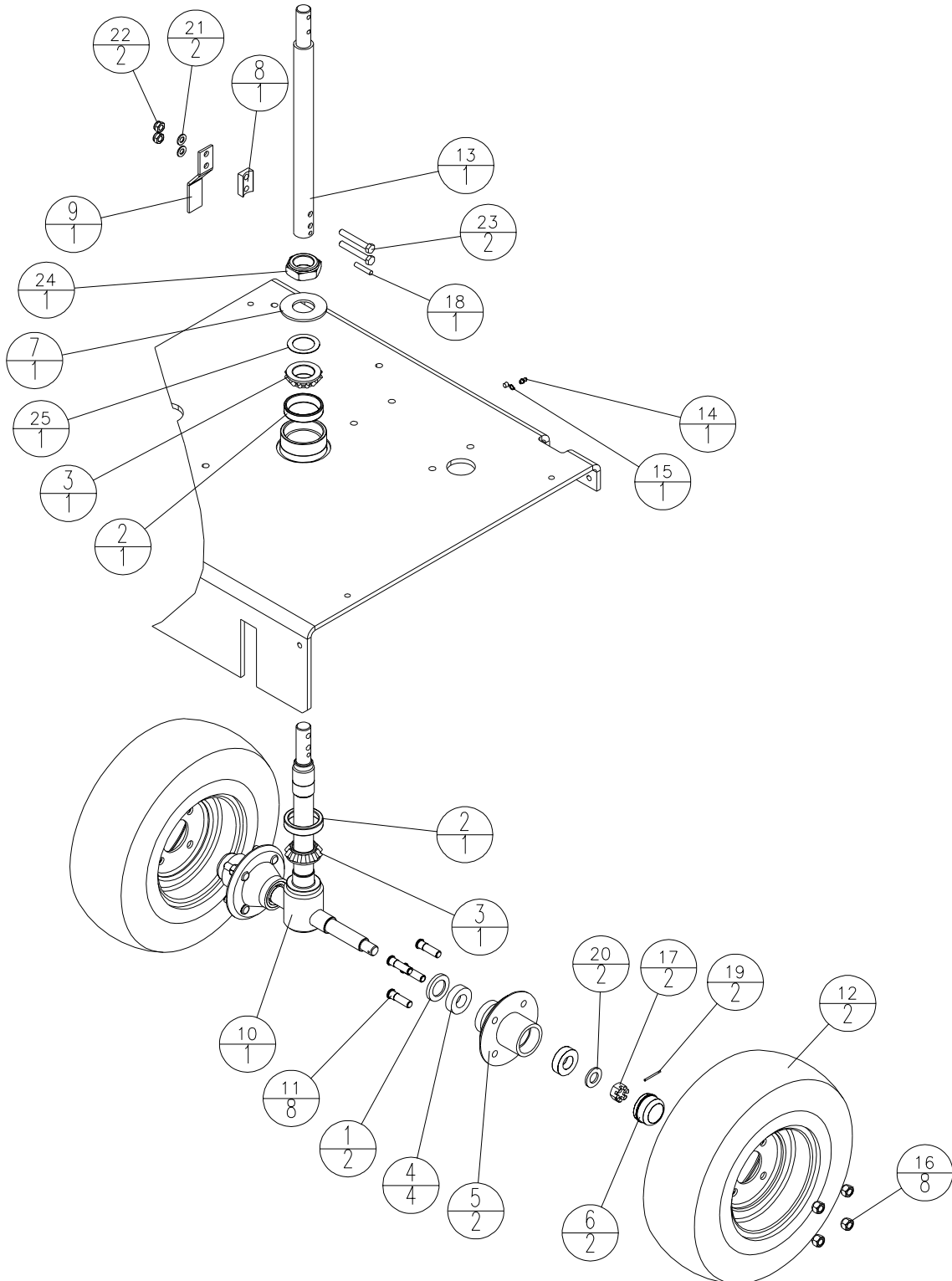
## Battery/Hose Clamp Assembly

ITEM	PART NO.	DESCRIPTION	QTY
1	35321	BATTERY 12 MONTH 165 CCA	1
2	37518-2	SPACER PLATE CONTROL	2
3	37525-2	STRAP BATTERY	1
4	37529	CLAMP TWIN .500 IN TUBE	2
5	37530	CLAMP TWIN .375 IN TUBE	4
6	37821	CABLE BATTERY 10IN BLK	1
7	47244	RBR 60 DURO 1.5 X 6.75	4
8	48517	CABLE BATTERY 10IN BLK	1
9	50136-2	COVER TUBE HYDRAULIC	1
10*	50139	ROD CLAMP HOSE	2
11	80086	WSHRL 5/16 MED SPLIT ZN	4
12	80236	NUTKP 1/4-20 ZN	2
13	80245	NUTFX 5/16-18 ZN	4
14	80348	WSHR WROT 5/16 ZN	12
15	80354	HHCS 1/4-20 X 1 GR5 ZN	2
16	80571	WSHR 1/4 SAE ZN	4
17*	80618	HHCS M10 -1.25 X 25 8.8 ZN	1
18	80804	WSHRL M10 SPLIT ZN	1
19	80806	WSHR FLAT M10 X 20 ZN	1

\* LOCTITE 262

# PARTS LIST

## Steering Housing Assembly



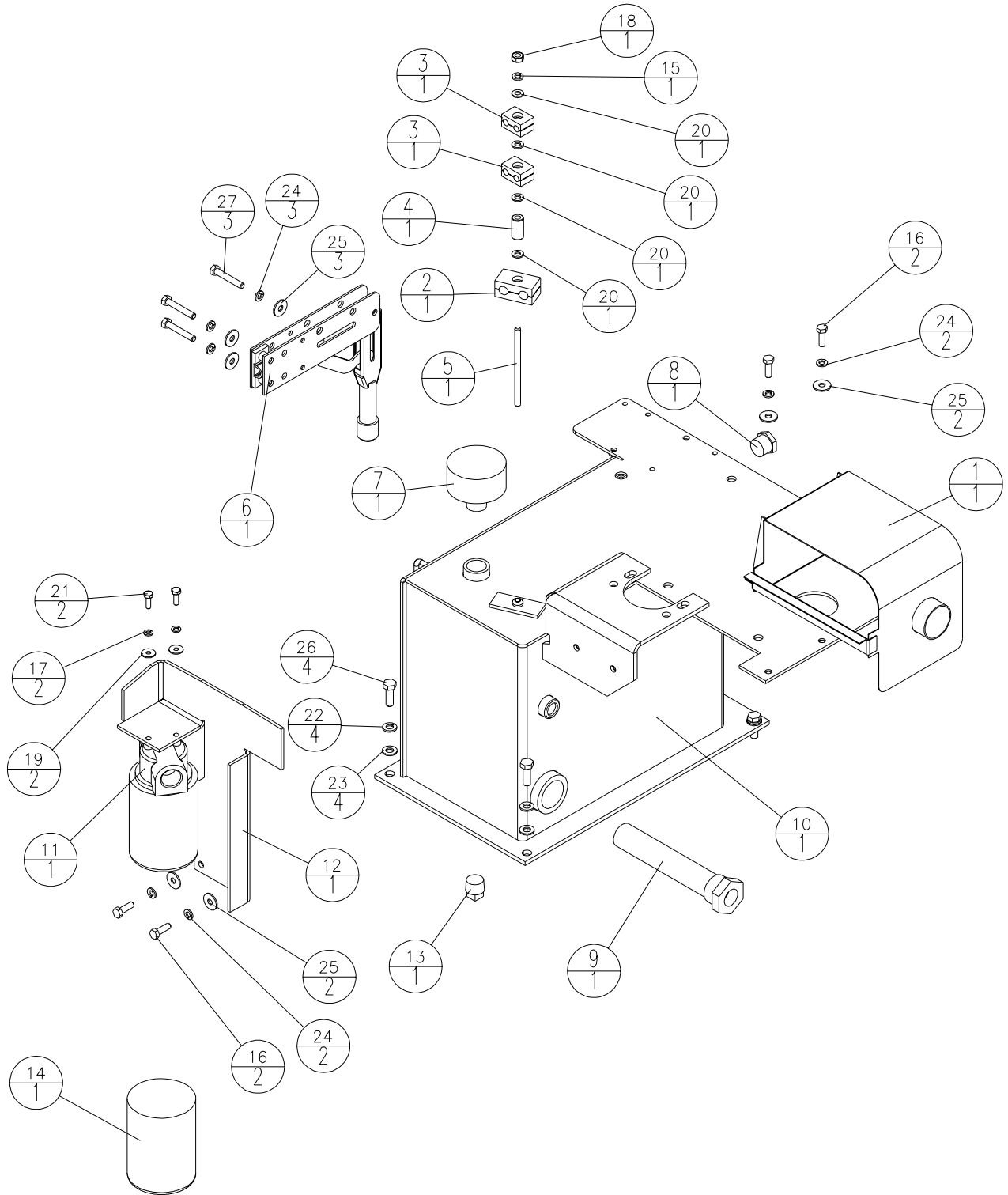
# PARTS LIST

## Steering Housing Assembly

ITEM	PART NO.	DESCRIPTION	QTY
1	32052	SEAL WHEEL HUB	2
2	32160	CUP BEARING	2
3	32161	CONE BEARING	2
4	32233	BEARING RLR TAPER 1.000	4
5	34501	KIT HUB 4 BOLT	2
6	34573	DUST CAP	2
7	36934-2	PLATE COVER BEARING	1
8	37325-2	SPACER STOP STEERING	1
9	37348-2	BRACKET STOP STEERING	1
10	37358-2	WELD AXLE STEERING	1
11	39190	LUG STUD 1/2-20 x 1 7/32 LG	8
12	45176	WHEEL ASSEMBLY 480-8 W/FOAM	2
13	45259-2	WELD SHAFT STEERING	1
14	46042	FITTING GREASE 1/4-28 ZN	1
15	47001	CAP GREASE FITTING	1
16	80045	LUGNT 1/2-20 ZN	8
17	80054	NUT 3/4-16 ZN	2
18	80309	PINSP 5/16 X 1-1/2	1
19	80316	PINCT 1/8 X 1-1/2 ZN	2
20	80344	WSHR SAE 3/4 ZN	2
21	80806	WSHR FLAT M10 X 20 ZN	2
22	80833	NUTNY M10-1.5 ZN	2
23	80839	HHCS M10-1.5 X 70 8.8 ZN	2
24	81108	NUTNY 1 1/2-12	1
25	81109	THRUST WASHER 1 1/2	1

# PARTS LIST

## Hydraulic Tank Assembly



# PARTS LIST

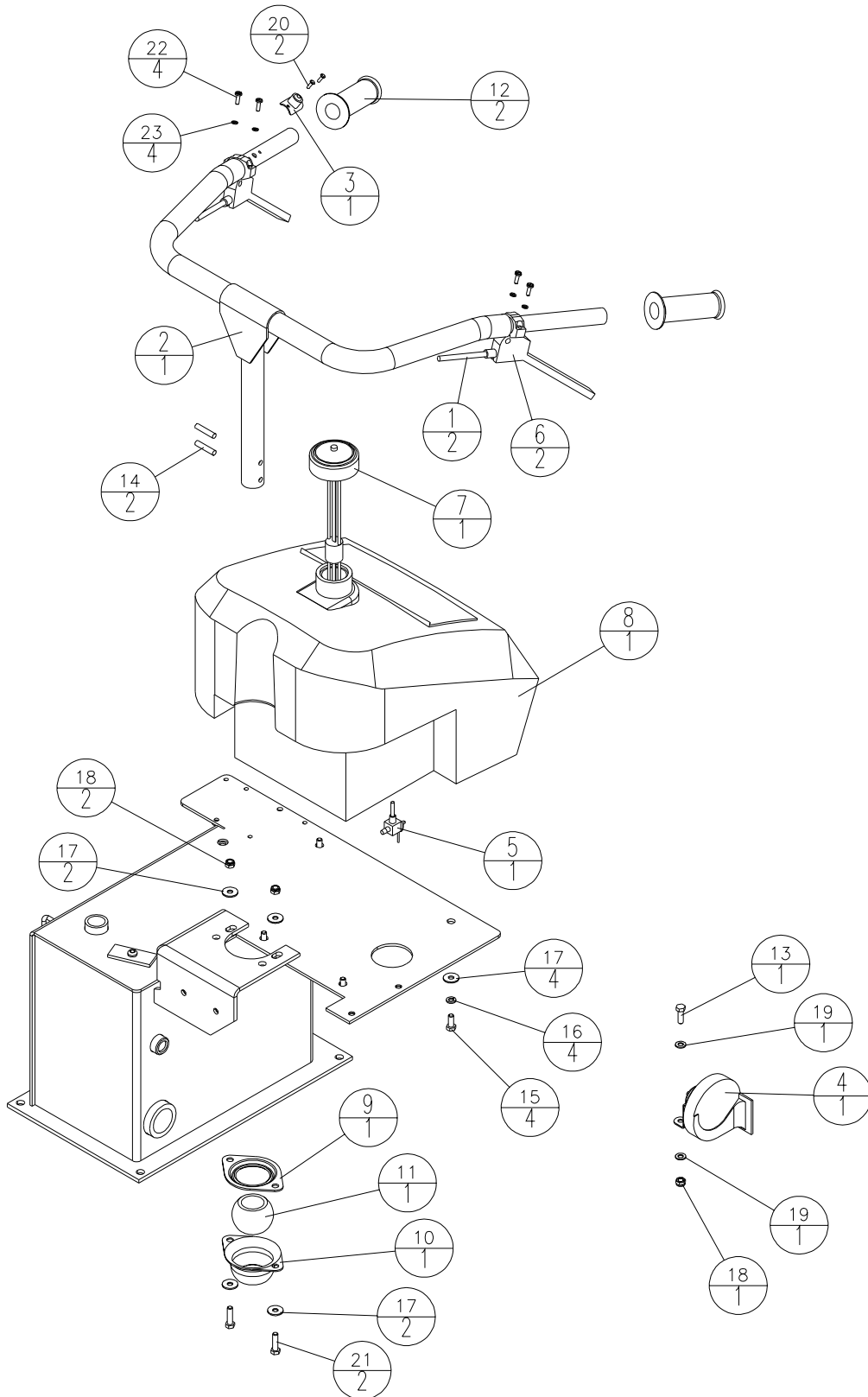
## Hydraulic Tank Assembly

ITEM	PART NO.	DESCRIPTION	QTY
1	37356-2	WELD SHIELD HEAT	1
2	37529	CLAMP TWIN .500 IN TUBE	1
3	37530	CLAMP TWIN .375 IN TUBE	2
4	37549-2	SPACER CLAMP TUBE	1
5	37588	ROD CLAMP HOSE	1
6	38095	BRAKE_PARKING	1
7	38521	BREATHER/FILLER HYD	1
8	38534	SIGHT GLASS 3/4 NPT	1
9	39088	STRAINER 10 GPM	1
10	45114-2	WELD TANK HYDRAULIC	1
11	45150	FILTER RETURN 10-GPM 10 MICRON	1
12	45299-2	BRACKET FILTER OIL	1
13	46774	PLUG 3/4 NPT MAGNETIC SQ HD	1
14	47579	ELEMENT FILTER OIL PAPER 10 MICRON	1
15	80086	WSHRL 5/16 MED SPLIT ZN	1
16*	80087	HHCS M8-1.25 X 25 8.8 ZN	4
17	80116	WSHRL 1/4 MED SPLIT ZN	2
18	80245	NUTFX 5/16-18 ZN	1
19	80347	WSHR WROT 1/4 ZN	2
20	80348	WSHR WROT 5/16 ZN	4
21*	80434	HHCS 1/4-20 X 3/4 GR5 ZN	2
22	80804	WSHRL M10 SPLIT ZN	4
23	80806	WSHR FLAT M10 X 20 ZN	4
24	80812	WSHRL M8 SPLIT ZN	7
25	80813	WSHR FLAT M8 X 24 ZN	7
26*	80815	HHCS M10-1.5 X 30 8.8 ZN	4
27*	80883	HHCS M8-1.25 X 50 8.8 ZN	3

\* LOCTITE 262

# PARTS LIST

## Steering Handle Bar/Fuel Tank Assembly



# PARTS LIST

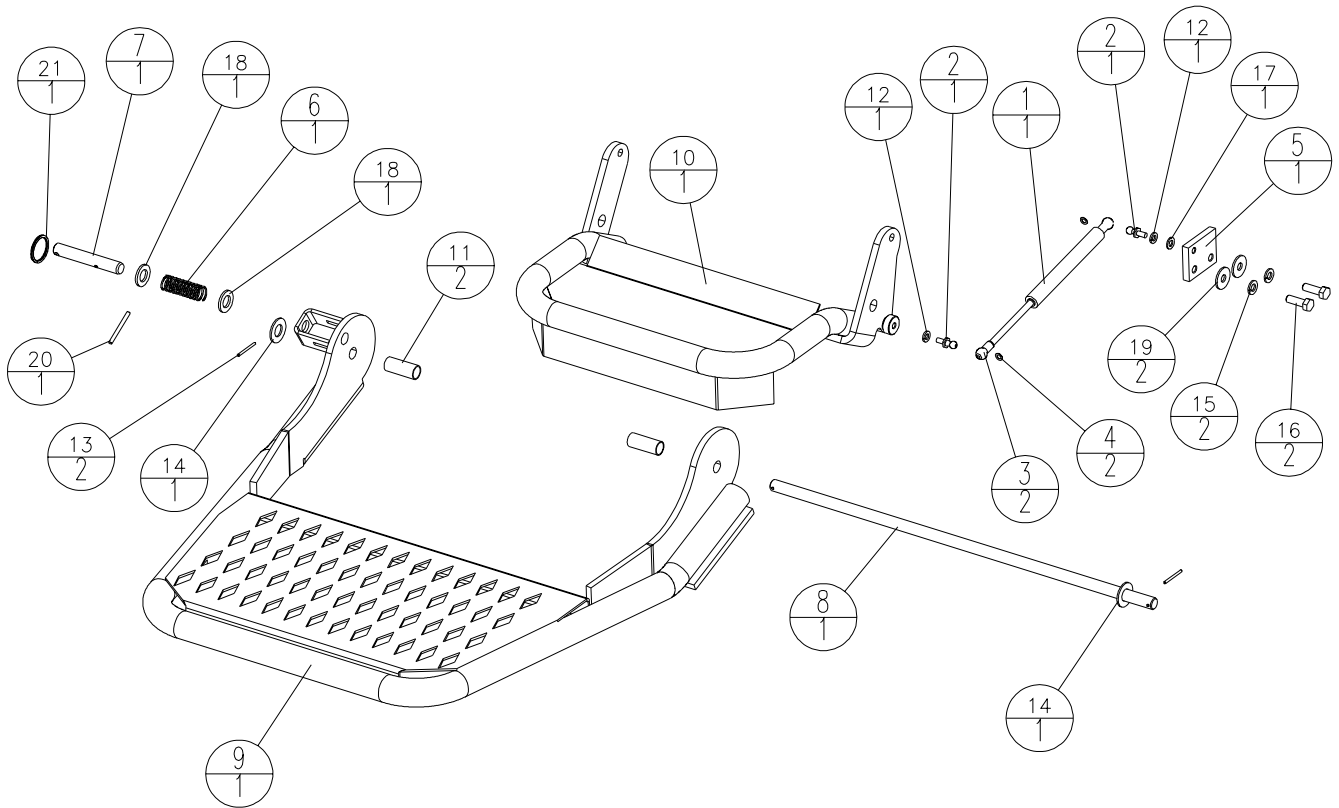
## Steering Handle Bar/Fuel Tank Assembly

ITEM	PART NO.	DESCRIPTION	QTY
1	37586	CABLE THROTTLE LJS2000	2
2	37594-2	WELD HANDLE STEERING	1
3	37829	KIT MOVER LJS2000 HORN BUTTON	1
4	38667	HORN 12V 125 dB	1
5	39056	VALVE STRAINER	1
6	45104	CLUTCH LEVER ASSEMBLY	2
7	45263	GAUGE FUEL 12" DEEP	1
8	45924	TANK FUEL	1
9	45928	FLANGE CENTER 2 BOLT	1
10	45929	FLANGE SIDE 2 BOLT	1
11	45930	BEARING SPHERICAL 1-3/8	1
12	47125	HANDLE GRIP	2
13	80087	HHCS M8-1.25 X 25 8.8 ZN	1
14	80309	PINSP 5/16 X 1-1/2	2
15*	80406	HHCS M8-1.25 X 20 8.8 ZN	4
16	80812	WSHRL M8 SPLIT ZN	4
17	80813	WSHR FLAT M8 X 24 ZN	8
18	80817	NUTNY M8-1.25 ZN	3
19	80857	WSHR FLAT M8 X 16 ZN	2
20	80928	RIVET POP #AD55H	2
21	80931	HHCS M8-1.25 X 30 8.8 ZN	2
22	81127	PHSMS M5-0.8 X 16 304 SST	4
23	81128	WSHRL M5 SPLIT SST	4

\* LOCTITE 262

# PARTS LIST

## Platform/Brake Pedal Assembly



# PARTS LIST

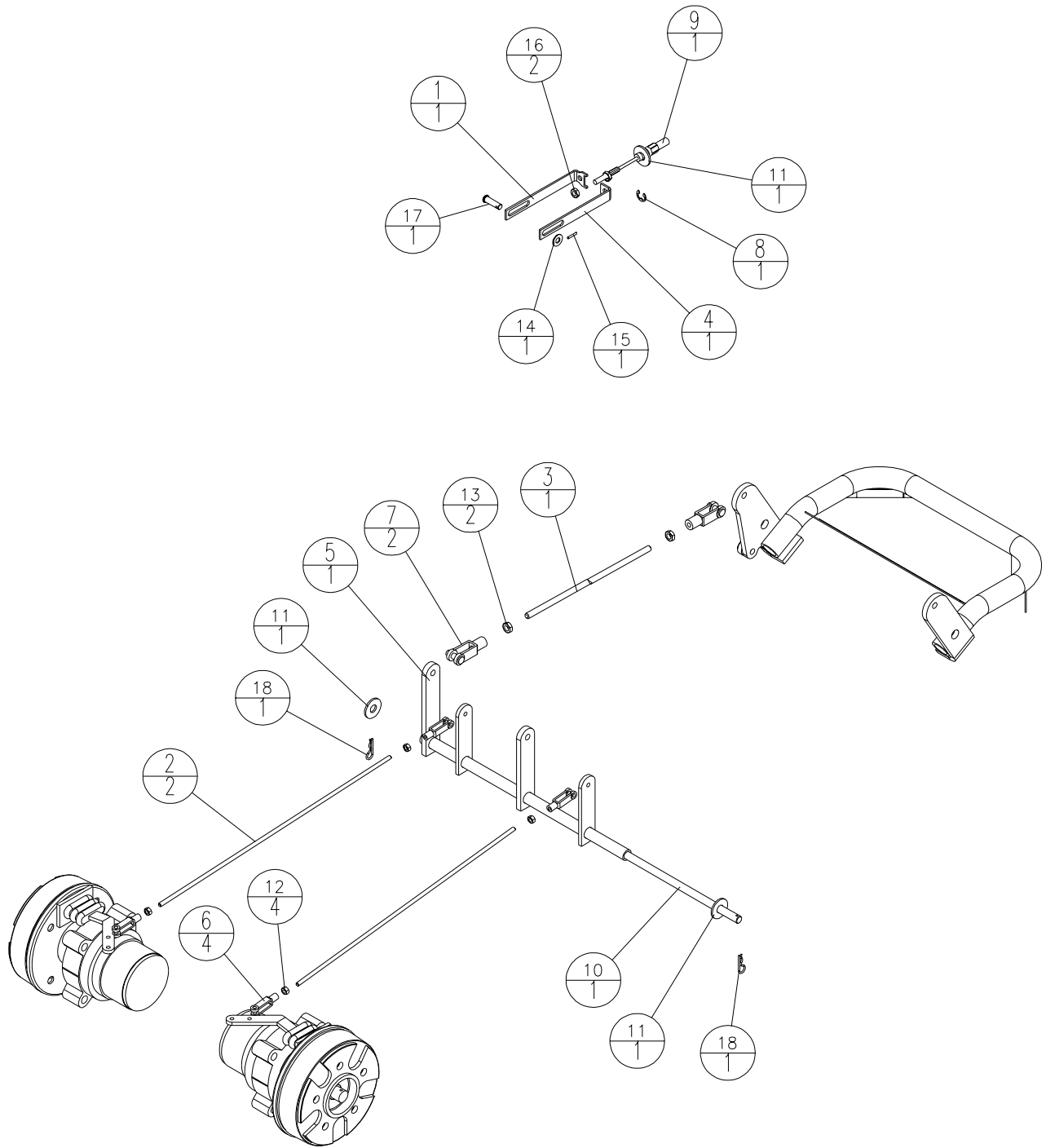
## Platform/Brake Pedal Assembly

ITEM	PART NO.	DESCRIPTION	QTY
1	36571	GAS SPRING 3.5 STROKE	1
2*	36572	STUD BALL 10MM 5/16-18 THRD	2
3	36580	CONNECTOR END, GAS SPRING	2
4	36581	GAS SPRING RETAINING CLIP	2
5	37497-2	PLATE PIVOT GAS SPRING	1
6	45055	SPRING COMP.	1
7	45056	PIN LOCKOUT STEP	1
8	45113-2	SHAFT PIVOT STEP	1
9	45211-2	WELD PLATFORM STEP	1
10	45216-2	WELD PEDAL BRAKE	1
11	45249-2	SPACER BRAKE	2
12	80086	WSHRL 5/16 MED SPLIT ZN	2
13	80316	PINCT 1/8 X 1-1/2 ZN	2
14	80355	WSHR SAE 5/8 ZN	2
15	80804	WSHRL M10 SPLIT ZN	2
16*	80815	HHCS M10-1.5 X 30 8.8 ZN	2
17	80857	WSHR FLAT M8 X 16 ZN	1
18	80858	WSHR FLAT M16 X 30 ZN	2
19	81042	WSHR FLAT M10 X 30 ZN	2
20	81122	PINSP 3/16 X 2.00 ZN	1
21	81124	RING SPLIT	1

\* LOCTITE 262

# PARTS LIST

## Brake Linkage Assembly



# PARTS LIST

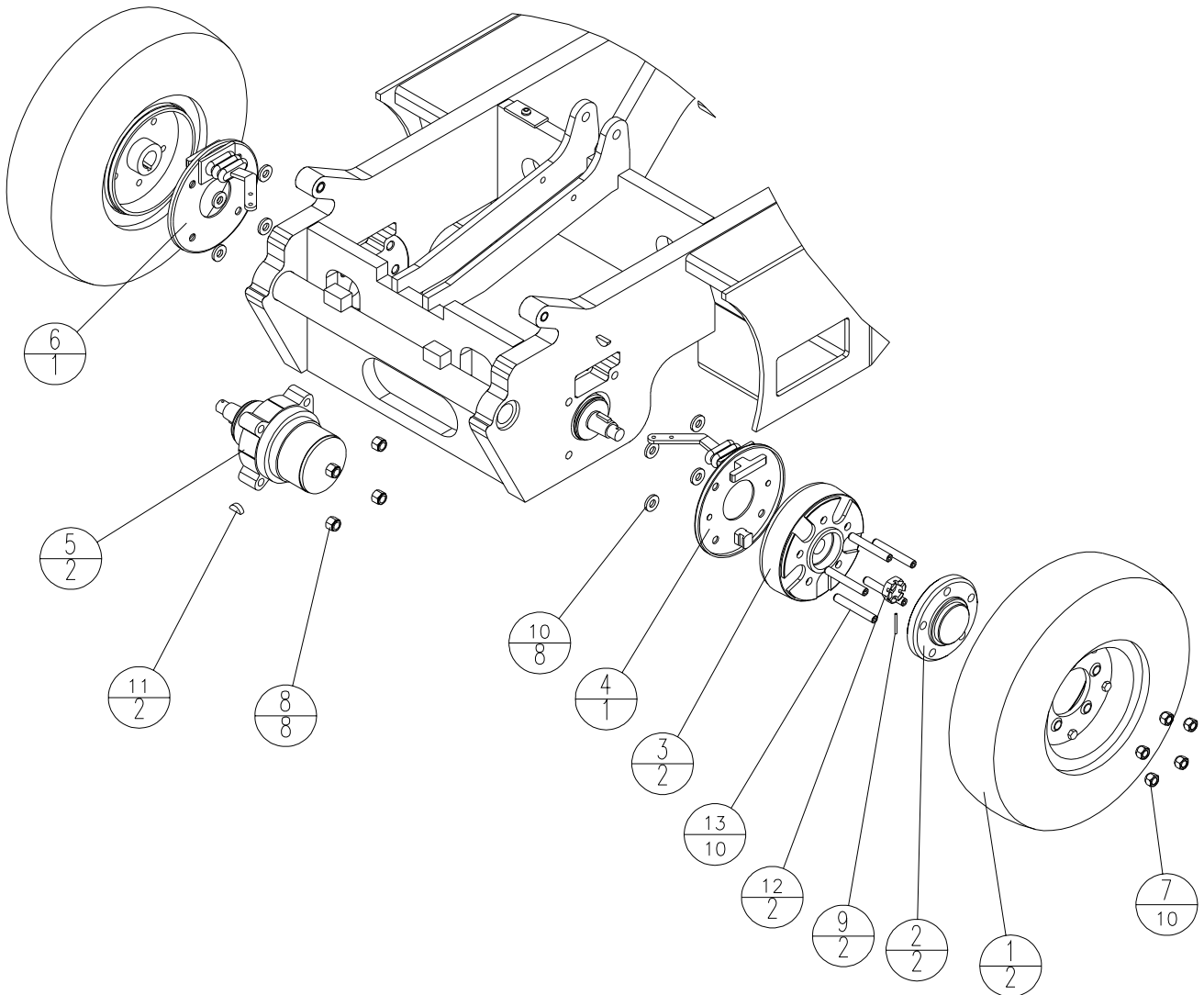
## Brake Linkage Assembly

ITEM	PART NO.	DESCRIPTION	QTY
1	37324-2	BRACKET CABLE BRAKE	1
2	37347	ROD BRAKE FRONT	2
3	37450	ROD BRAKE SERVICE	1
4	37510-2	BRACKET CABLE BRAKE	1
5	37587-2	WELD LEVER BRAKE	1
6	38561	CLEVIS 1/4 DIA X 1/4-28	4
7	39255	YOKE END 3/8-24	2
8	45120	E CLIP	1
9	45199	CABLE, BRAKE	1
10	45231-2	SHAFT PIVOT LEVER BRAKE	1
11	80118	WSHR WROT 1/2 ZN	3
12	80237	NUTFX 1/4-28 ZN	4
13	80243	NTFXJ 3/8-24 ZN	2
14	80342	WSHR SAE 3/8 ZN	1
15	80424	PINCT 1/8 X 3/4 ZN	1
16	80501	NUT JAM 5/16-24 ZN	2
17	81110	CLEVIS PIN .375 X 1.25 LG SS	1
18	81172	PINHCH 5/16-3/8IN X 1-7/16IN ZN	2

\* LOCTITE 262

# PARTS LIST

## Wheelmotor/Brake/Tire Assembly



# PARTS LIST

## Wheelmotor/Brake/Tire Assembly

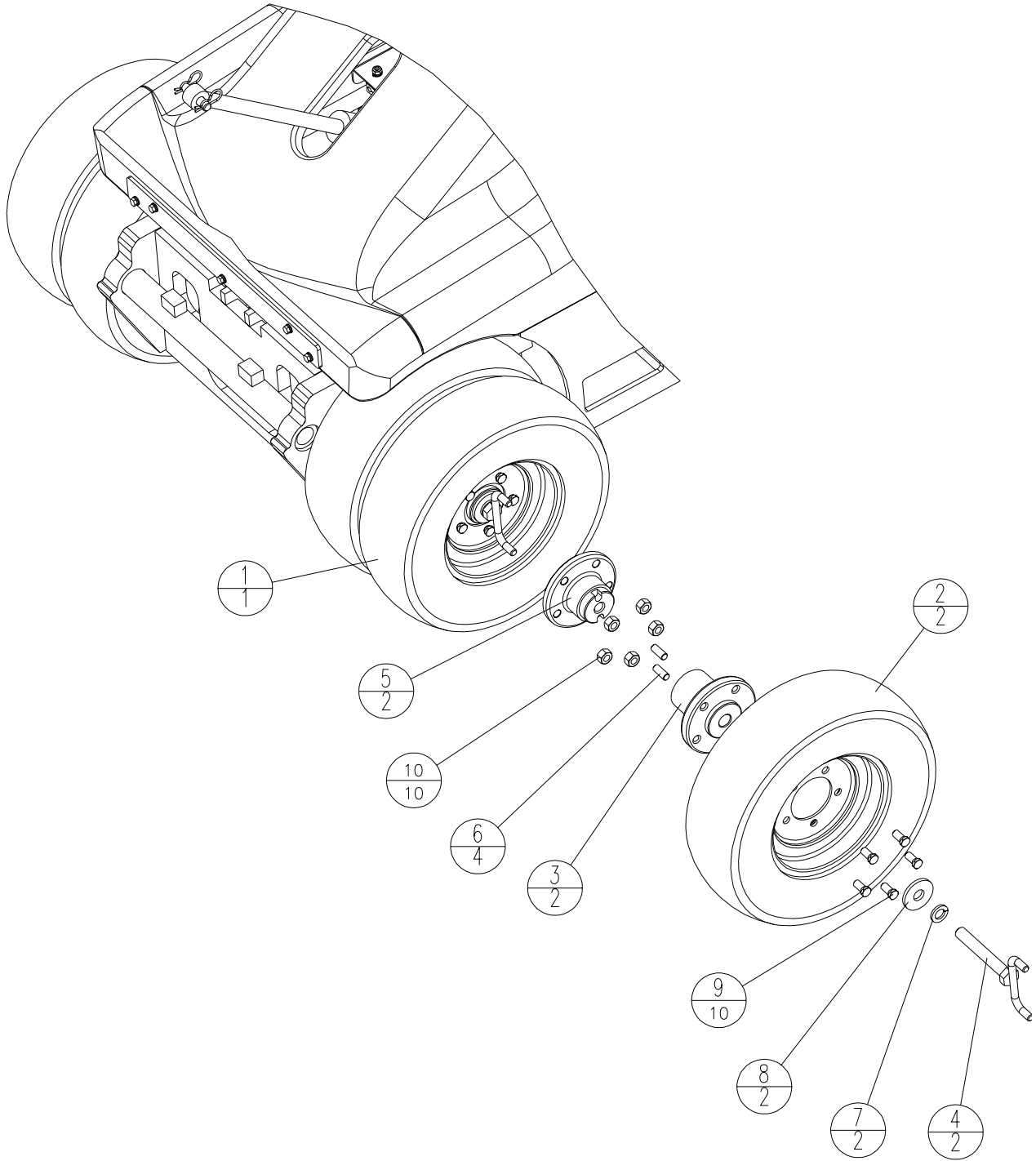
ITEM	PART NO.	DESCRIPTION	QTY
1	37361	WHEEL ASSEMBLY 5.00-8 FOAM	2
2	37368-2	SPACER WHEEL 5 BOLT	2
3	45144	BRAKE DRUM	2
4	45145	BRAKE ACTUATOR LEFT HAND	1
5	45148	MOTOR-GEAR ROTOR,15.9 CIR	2
6	45247	BRAKE ACTUATOR RIGHT HAND	1
7	80045	LUGNT 1/2-20 ZN	10
8*	80051	NUTNY 1/2-13 ZN	8
9	80316	PINCT 1/8 X 1-1/2 ZN	2
10	80891	WSHR FLAT M12 X 28 ZN	8
11	81125	KEY-WOODRUFF	2
12	81126	CASTLE NUT 1-20UNEF	2
13**	81184	SHSS 1/2-20 X 3-1/2IN GR8 BLK	10

\* LOCTITE 262

\*\* LOCTITE 680

# PARTS LIST

## Quick Change Hub Assembly



# PARTS LIST

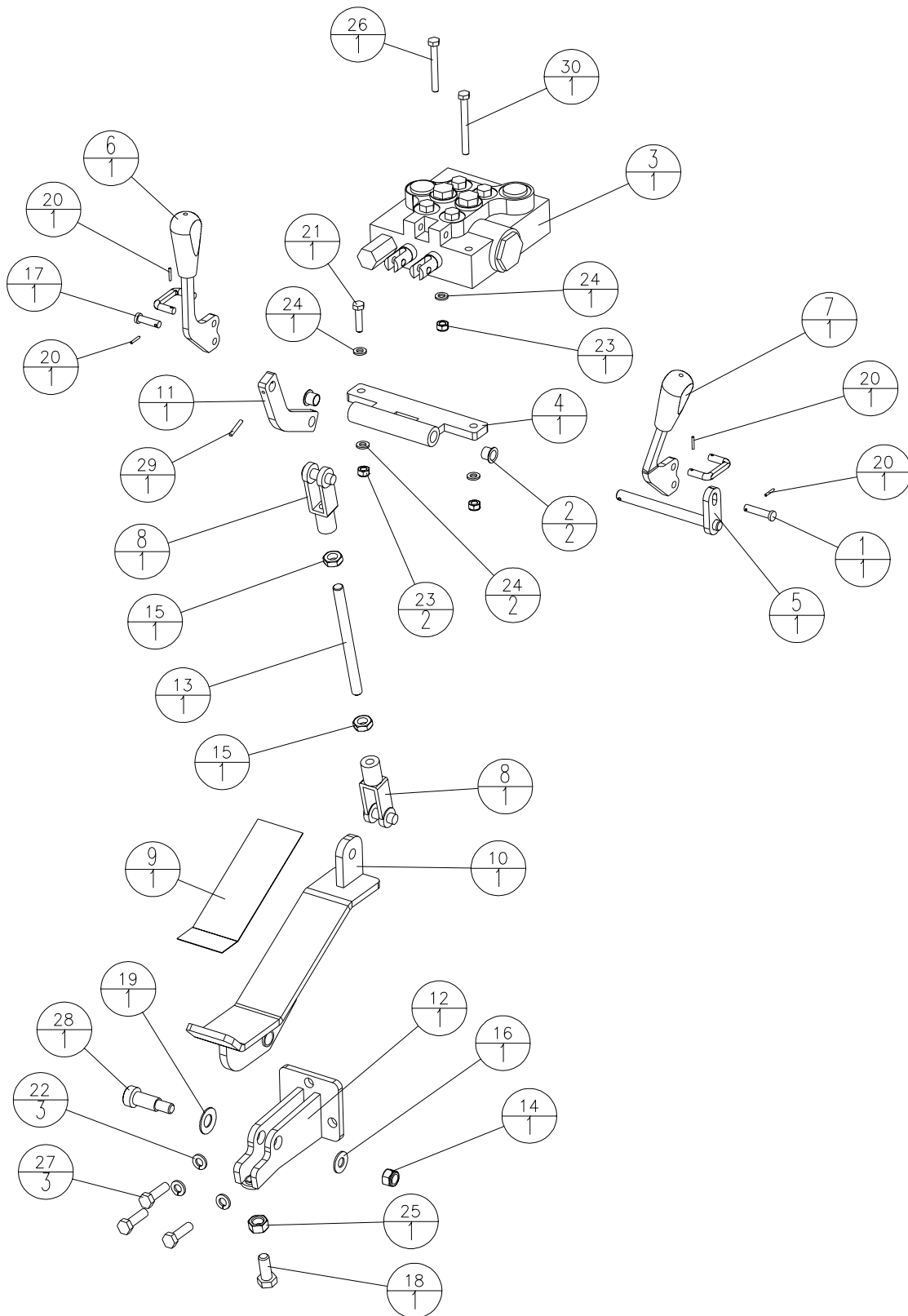
## Quick Change Hub Assembly

ITEM	PART NO.	DESCRIPTION	QTY
1	23570	KIT MOVER LJS2000 QUICK CHANGE HUB	1
2	37361	WHEEL ASSEMBLY 5.00-8 FOAM	2
3	45080-2	SPACER WHEEL MACHINE	2
4	45106-2	WELDMENT RELEASE QUICK	2
5	45242-2	HUB WHEEL MACHINE	2
6	80423	PINDL 1/2 x 1 1/4 LG	4
7	80871	WSHRL M20 SPLIT ZN	2
8	81014	WSHR FLAT M20 X 60 ZN	2
9	81114	BOLT LUG 1/2-20 X 1.25LG 60 DEG CONE	10
10	81115	NUTFX 1/2-20 ZN	10

\* LOCTITE 262

# PARTS LIST

## Hand/Foot Mast Control Assembly



# PARTS LIST

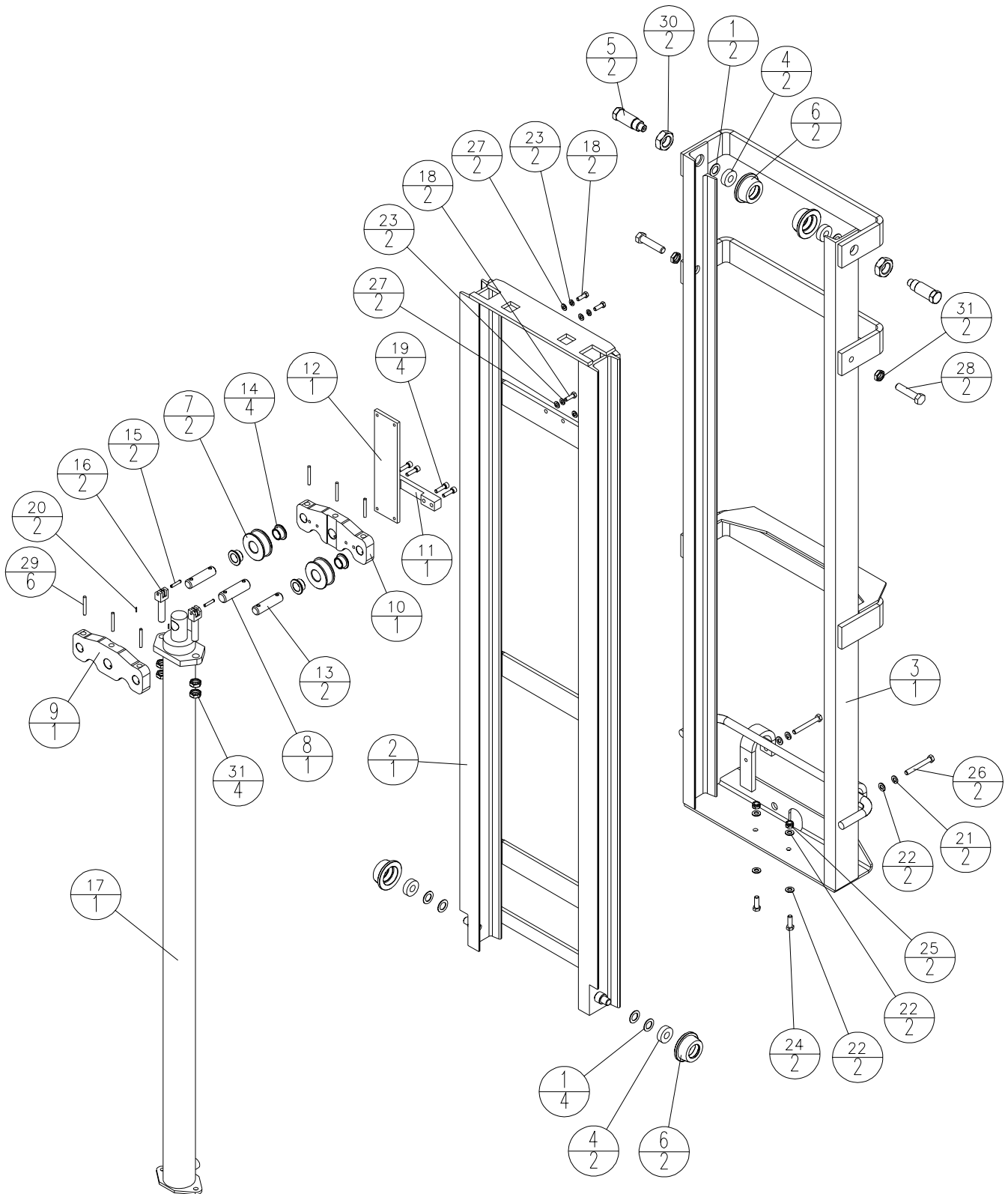
## Hand/Foot Mast Control Assembly

ITEM	PART NO.	DESCRIPTION	QTY
1	32465	PIN CLEVIS 1/4 X 1 SST	1
2	32466	BEARING NYLINER 3/8 ID	2
3	37364	VALVE HYD DIRECTIONAL CYLINDER 3000 PSI	1
4	37579-2	WELD GUIDE SHAFT	1
5	37581-2	WELD SHAFT VALVE CONTROL	1
6	37584	HANDLE VALVE LEFT	1
7	37585	HANDLE VALVE RIGHT	1
8	39255	YOKE END 3/8-24	2
9	45959	TREAD SKID	1
10	45963-2	WELD PEDAL DUMP	1
11	45968-2	ARM ACTUATOR	1
12	45973-2	WELD MOUNT PEDAL	1
13	45974	ROD DUMP	1
14	80056	NUTNY 3/8-16 ZN	1
15	80243	NTFXJ 3/8-24 ZN	2
16	80342	WSHR SAE 3/8 ZN	1
17	80404	CLVPN 1/4X7/8 ZN	1
18*	80618	HHCS M10 -1.25 X 25 8.8 ZN	1
19	80639	WSHRSP 1/2 ID BLK BELLEVIL	1
20	80787	PINCT 5/64 X 1/2 ZN	4
21	80811	HHCS M6-1 X 25 8.8 ZN	1
22	80812	WSHRL M8 SPLIT ZN	3
23	80851	NUTNY M6-1 ZN	3
24	80856	WSHR FLAT M6 X 12 ZN	4
25	80866	NUTFX M10-1.5 ZN	1
26	80881	HHCS M6-1 X 50 8.8 ZN	1
27*	80931	HHCS M8-1.25 X 30 8.8 ZN	3
28*	80957	SHSHB 1/2 X 1 BLK	1
29	81076	PINSP 1/8 X 3/4 SS	1
30	81111	HHCS M6-1 X 60 8.8 ZN	1

\* LOCTITE 262

# PARTS LIST

## Mast Assembly



# PARTS LIST

## Mast Assembly

ITEM	PART NO.	DESCRIPTION	QTY
1 #	32323	WASHER THRUST 3/4 BORE	6
2	36791-2	WELDMENT COLUMN INNER	1
3	36800-2	WELDMENT COLUMN OUTER 9'6"	1
4	36826	BEARING BALL 17MM X 40MM	4
5	36827	SHAFT ADJUSTING ROLLER	2
6	36829	ROLLER GUIDE	4
7	36869	ROLLER CHAIN	2
8	36870	PIN CYLINDER	1
9	36871-2	PLATE CYLINDER	1
10	36872-2	PLATE CYLINDER GUIDE	1
11	36873-2	BRACKET GUIDE CYLINDER	1
12	36874	PLATE GUIDE CYLINDER	1
13	36875	PIN ROLLER CHAIN	2
14	36876	BUSHING ROLLER PIN	4
15	36877	PIN CHAIN LINK	2
16	36879	ANCHOR CHAIN ADJUSTABLE	2
17	36901	CYLINDER MAST 9'6"	1
18*	80087	HHCS M8-1.25 X 25 8.8 ZN	4
19*	80711	SHCS M8-1.25 X 30 12.9 BLK	4
20	80787	PINCT 5/64 X 1/2 ZN	2
21	80804	WSHRL M10 SPLIT ZN	2
22	80806	WSHR FLAT M10 X 20 ZN	6
23	80812	WSHRL M8 SPLIT ZN	4
24	80815	HHCS M10-1.5 X 30 8.8 ZN	2
25	80833	NUTNY M10-1.5 ZN	2
26*	80840	HHCS M10-1.5 X 80 8.8 ZN	2
27	80857	WSHR FLAT M8 X 16 ZN	4
28	81057	HHCS M16-2 X 70 8.8 ZN	2
29	81103	PINSP 1/4 X 2 ZN	6
30	81104	NTFXJ 1-1/8 GR2 ZN	2
31	81105	NUTXJ M16-2 ZN	6

~ NOT SHOWN  
 \* LOCTITE  
 # AS REQUIRED



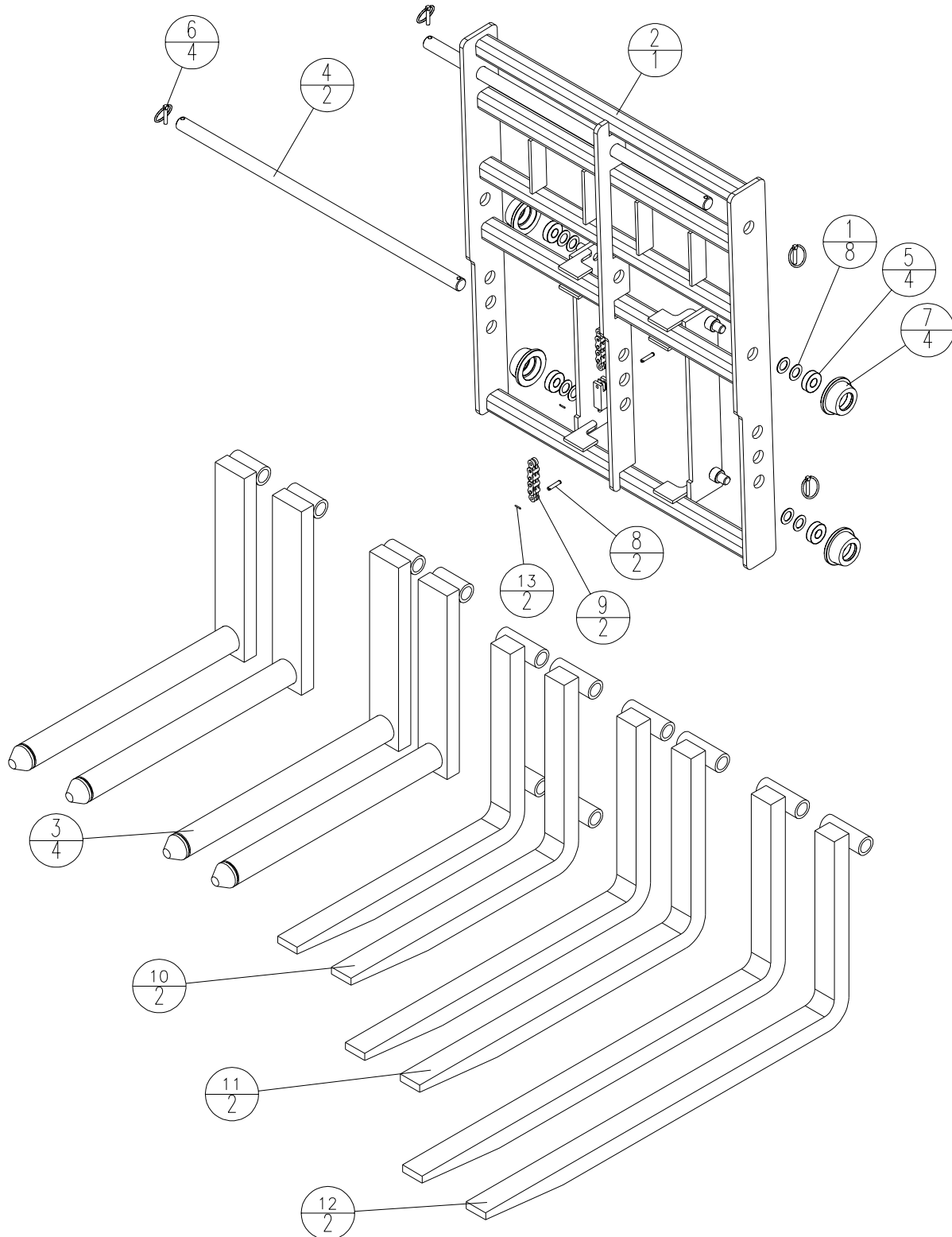
# PARTS LIST

## Mast Assembly

ITEM	PART NO.	DESCRIPTION	QTY
^	36882-2	WELDMENT COLUMN OUTER 8'6"	1
^	36885-2	WELDMENT COLUMN INNER 8'6"	1
^	36902	CYLINDER MAST 8'6"	1
^	36890-2	WELDMENT COLUMN OUTER 7'6"	1
^	36893-2	WELDMENT COLUMN INNER 7'6"	1
^	36903	CYLINDER MAST 7'6"	1
^	37127	CLAMP HOSE SADDLE	2
^	47572	CLAMP HOSE 3-3/4 IN. SIZE 52	2

# PARTS LIST

## Lift Frame Assembly



# PARTS LIST

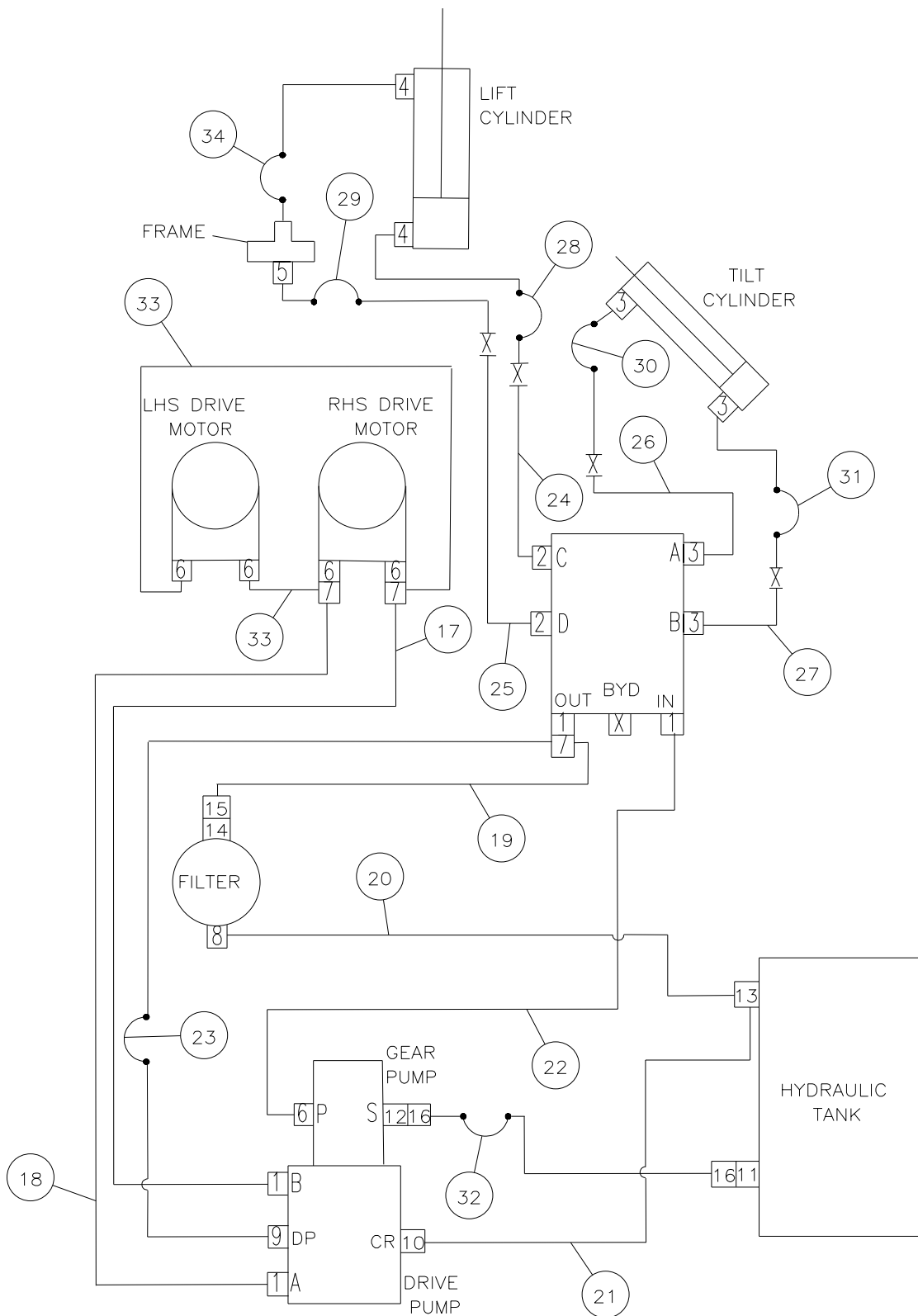
## Lift Frame Assembly

ITEM	PART NO.	DESCRIPTION	QTY
1#	32323	WASHER THRUST 3/4 BORE	8
2	36811-2	WELD FRAME LIFT	1
3	36819-2	WELDMENT FORK ROUND	4
4	36825	SHAFT FORK	2
5	36826	BEARING BALL 17MM X 40MM	4
6	36828	PIN LINCH 1/4 DIA	4
7	36829	ROLLER GUIDE	4
8	36877	PIN CHAIN LINK	2
9	36878	CHAIN LIFT 9'6" MAST	2
10	36955	FORK SQUARE PALLET 22"	2
11	36956	FORK SQUARE PALLET 28"	2
12	36957	FORK SQUARE PALLET 36"	2
13	80787	PINCT 5/64 X 1/2 ZN	2
^	36881	CHAIN LIFT 8'6" MAST	2
^	36889	CHAIN LIFT 7'6" MAST	2

^ NOT SHOWN  
\* LOCTITE  
# AS REQUIRED

# PARTS LIST

## Hydraulic Piping Schematic



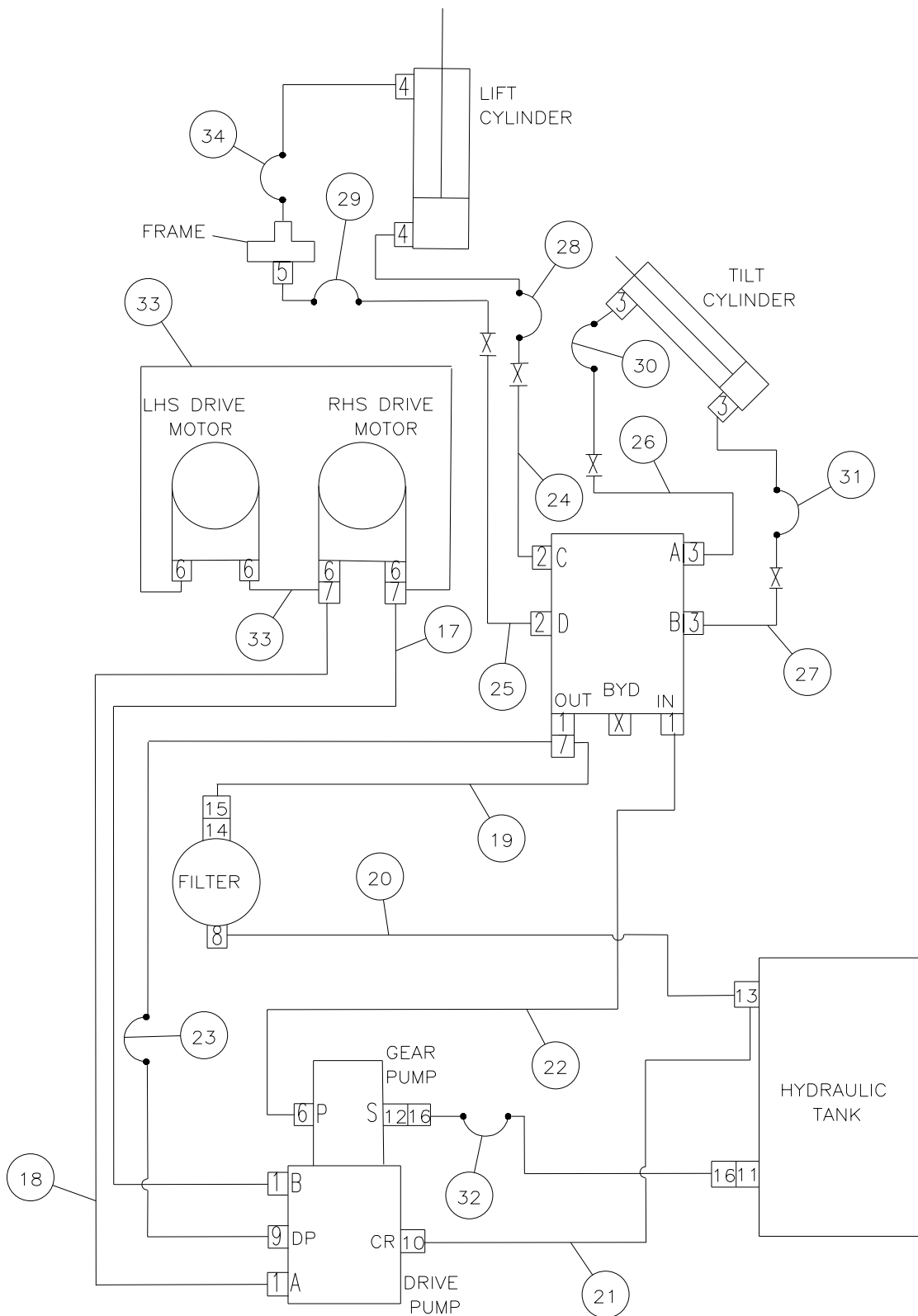
# PARTS LIST

## Hydraulic Piping Schematic

ITEM	PART NO.	DESCRIPTION	QTY
1	46579	FTG HYD OFS ST 8 8	4
2	46685	FTG HYD OFS 45 6 6	2
3	45009	FTG HYD OFS 90 6 6	4
4	46679	FTG HYD OFS ST 6 6	2
5	45086	FTG HYD OFS BH 6 6	1
6	46585	FTG HYD OFS ST 8 10	5
7	46980	TEE RUN 1/2" THREAD STRAIGHT	3
8	46617	FTG HYD OFS 90 8 12	1
9	45008	FTG HYD OFS ST 6 4	1
10	45082	FTG HYD OFS 90 8 6	1
11	46929	FTG HB ST 3/4"	1
12	46981	FTG HYD HB 45 3/4"	1
13	45083	FTG HYD OFS T 8 8	1
14	37526	FTG HYD OFS S 12 8	1
15	37527	VALVE CHECK 30 PSI	1
16	46691	CLAMP HOSE 3/4"	2
17	37532	TUBE HYD .50 IN X .065 IN DRIVE	1
18	37533	TUBE HYD .50 IN X .065 IN DRIVE	1
19	37534	TUBE HYD .50 IN X .065 IN FILTER	1
20	37535	TUBE HYD .50 IN X .065 IN RETURN	1
21	37536	TUBE HYD .50 IN X .065 IN CASE	1
22	37537	TUBE HYD .50 IN X .065 IN VALVE	1
23	37538	HOSE HYD 6 EL JU 33.00 IN	1
24	37539	TUBE HYD .38 IN X .049 IN LIFT CYL	1
25	37540	TUBE HYD .38 IN X .049 IN LIFT CYL	1
26	37541	TUBE HYD .38 IN X .049 IN TILT CYL	1
27	37542	TUBE HYD .38 IN X .049 IN TILT CYL	1
28	37824	HOSE HYD 6 ST ST 28.50 IN	1

# PARTS LIST

## Hydraulic Piping Schematic



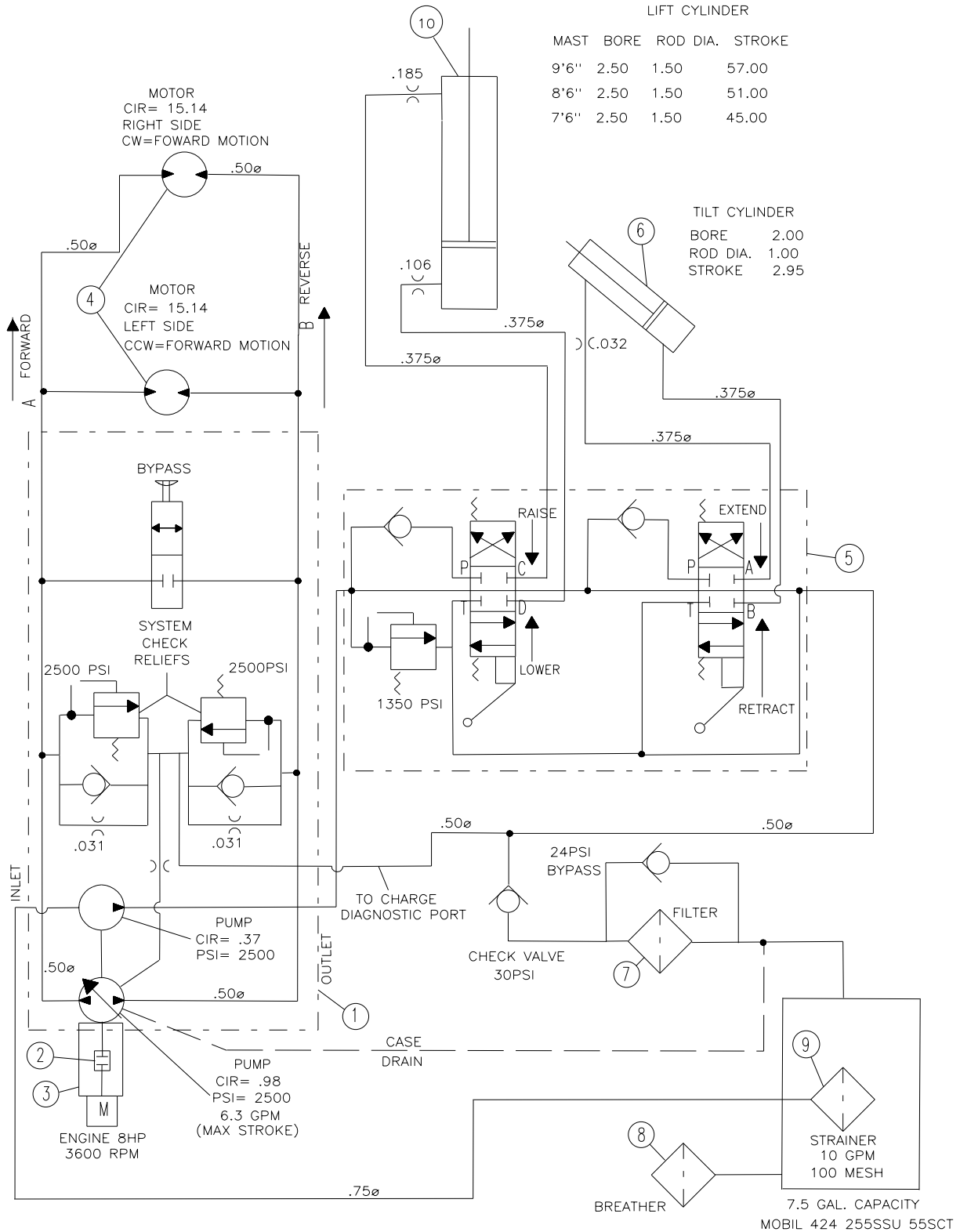
# PARTS LIST

## Hydraulic Piping Schematic

ITEM	PART NO.	DESCRIPTION	QTY
29	37825	HOSE HYD 6 ST ST 24.50 IN	1
30	37826	HOSE HYD 6 ST ST 20.00 IN	1
31	37827	HOSE HYD 6 ST ST 27.00 IN	1
32	37543	HOSE HYD 12 21.38 IN	1
33	37823	TUBE HYD .50 IN X .065 IN MOTOR	2
34	47562 47568 47567	HOSE HYD 6 EL ST 57.50 IN HOSE HYD EL ST 51.50 IN HOSE HYD 6 EL ST 45.50 IN	1 OPT. 1 OPT. 1 OPT.

# PARTS LIST

# Hydraulic System Schematic



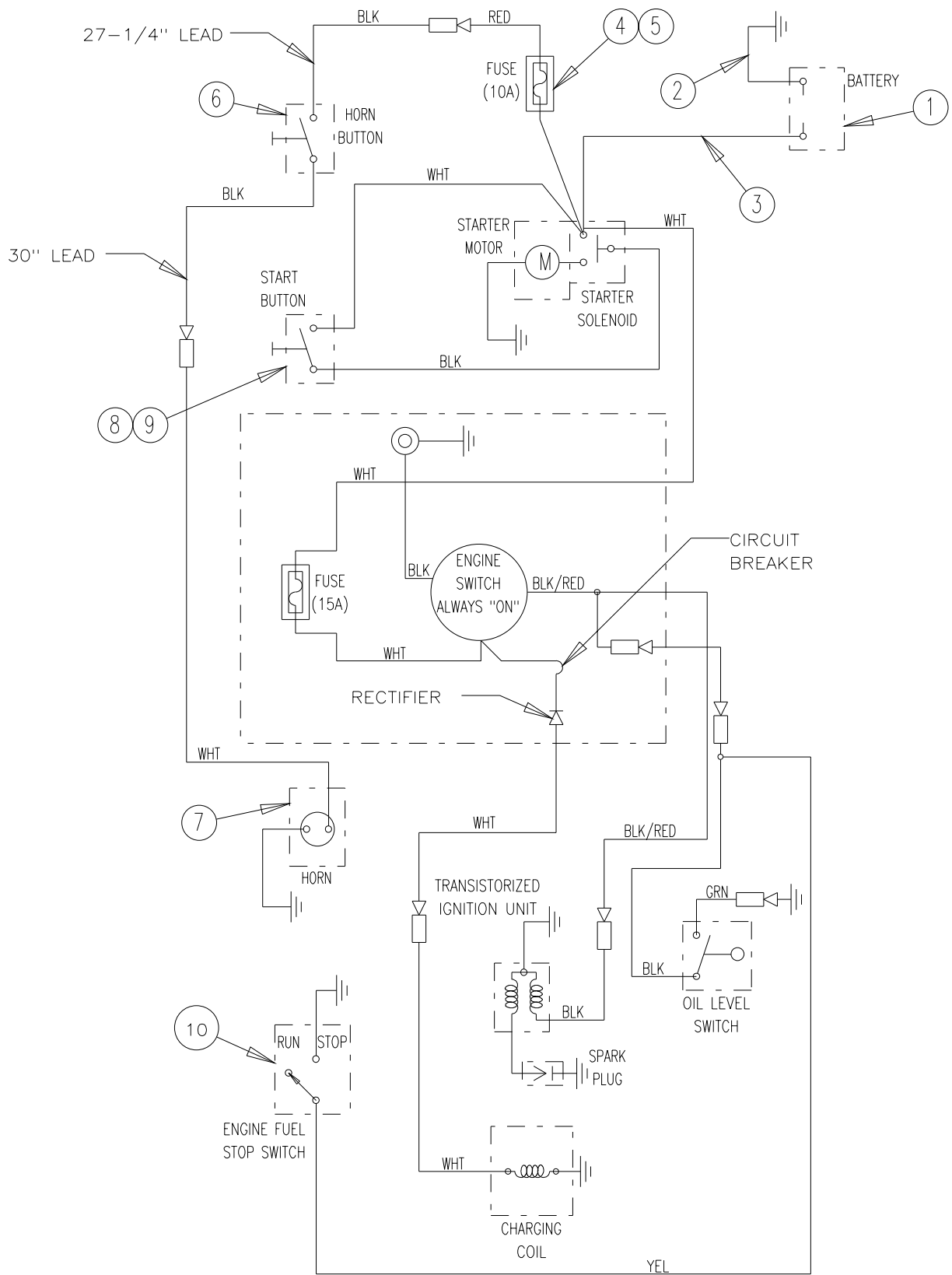
# PARTS LIST

## Hydraulic System Schematic

ITEM	PART NO.	DESCRIPTION	QTY
1	37363	PUMP PISTON .98 GEAR .37 CIR 2500 PSI	1
2	37546	COUPLING PUMP 7/8 IN.	1
	37547	COUPLING ENGINE 1.00 IN.	1
	37548	INSERT COUPLING PM90	1
3	50113	ADAPTOR PUMP MOTOR	1
4	45148	MOTOR HYDRAULIC GEAR ROTOR 15.14	2
5	37364	VALVE HYD DIRECTIONAL CYLINDER 3000 PSI	1
6	37365	CYLINDER HYD 2.00 IN. 2.95 IN. 2500 PSI	1
7	45150	FILTER RETURN 10 GPM 10 MICRON	1
8	38521	BREATHER / FILLER	1
9	39088	STRAINER 10 GPM	1
10	36901	CYLINDER MAST 9 FT. 6 IN.	1
	36902	CYLINDER MAST 8 FT. 6 IN.	1
	36903	CYLINDER MAST 7 FT. 6 IN.	1

# PARTS LIST

# Electrical Wiring Schematic



# PARTS LIST

## Electrical Wiring Schematic

ITEM	PART NO.	DESCRIPTION	QTY
1	35321	BATTERY 12 MONTH 165 CCA	1
2	48517	CABLE BATTERY 10 IN. BLK	1
3	37821	CABLE BATTERY 36 IN. RED	1
4	37076	FUSE 10A	1
5	37077	HOLDER FUSE IN-LINE	1
6	37829	KIT MOVER LJS2000 HORN BUTTON	1
7	38667	ASM HORN 12V	1
8	37079	BUTTON SWITCH MOMENTARY BLACK	1
9	39612	SWITCH MOMENTARY PUSH	1
10	23130	VALVE/KILL SWITCH ASSEMBLY	1
^	37598	HARNESS WIRE STARTER LJS2000	1
^	37599	HARNESS WIRE HORN LJS2000	1

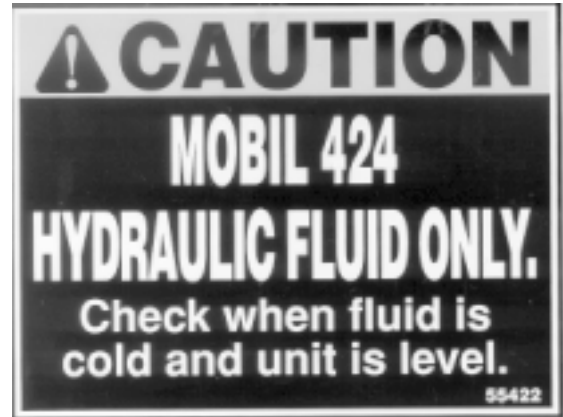
^ NOT SHOWN

# PARTS LIST

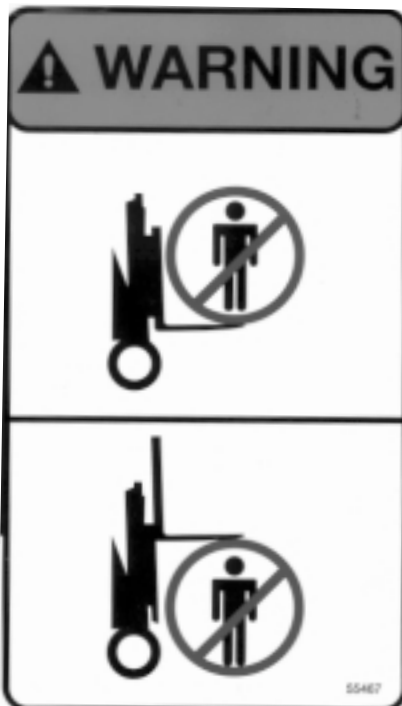
## Decal Identification



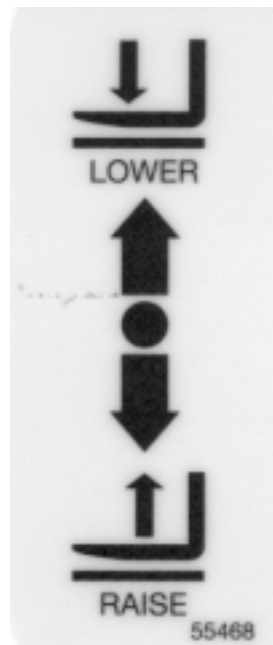
55398



55422



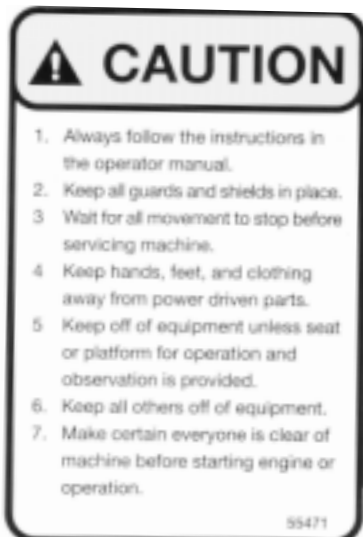
55467



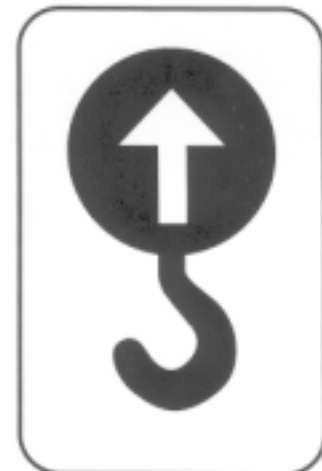
55468



55469



55471



55427

# PARTS LIST

## Decal Identification

Item No.	Part No.	Part Description	Qty	Decal Location
1	55200	Decal Lift Here	4	At each Fork Loop Lift Point
2	55398	Decal Warning Hot Surfaces	1	Rear Frame at Muffler
3	55422	Decal Hydraulic Fluid Mobil 424	1	Hydraulic Tank
4	55427	Decal Lifting Point	2	Each Side of Lift Eye
5	55467	Decal Warning No Riders	1	Lift Cylinder Facing Forks
6	55468	Decal Control Lift	1	On Hood RHS Control Lever
7	55469	Decal Control Tilt	1	Hood LHS Control Lever
8	55471	Decal Caution Instruction LJ100	1	Hood Opposite Control levers
9	55472	Decal Warning Instruction LJ100	1	Hood Centered Above Handle
10	55473	Decal Warning Load Low Carry	1	Top Brace of Mast Facing Operator
11	55474	Decal Warning Hands Clear	1	Top of Lift Gate Facing Forks
12	55485	Tag Switch Stop Fuel	1	Front of Engine
13	55486	Decal Tag Start	1	Front of Engine
14	55504	Decal Instruction Forward	1	Left Hand Side Handle Bar
15	55505	Decal Instruction Reverse Horn	1	Right Hand Side Handle Bar
16	55506	Decal Instruction Lift Point Cover	1	Top of Engine Cowl


# PARTS LIST


## Decal Identification

**⚠ WARNING**

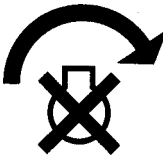

1. Look out for pedestrians, other vehicles or obstructions.
2. Transport load only in lowered position.
3. Travel or tilt with caution when load is raised.
4. Do not exceed rated operating capacity.


55472

↓  
**REVERSE**  
  
**HORN**  
55505

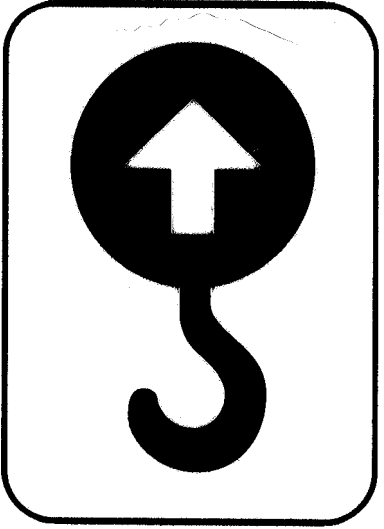
  
**⚠ WARNING**  
**CARRY LOAD LOW**  
55473

  
**⚠ WARNING**  
**KEEP HANDS CLEAR**  
55474

  
**STOP**  
  
**RUN**  
55485

  
**PUSH START**  
55486

↑  
**FORWARD**  
55504

  
**BELOW COVER**

# PARTS LIST

## Decal Identification

Item No.	Part No.	Part Description	Qty	Decal Location
1	55200	Decal Lift Here	4	At each Fork Loop Lift Point
2	55398	Decal Warning Hot Surfaces	1	Rear Frame at Muffler
3	55422	Decal Hydraulic Fluid Mobil 424	1	Hydraulic Tank
4	55427	Decal Lifting Point	2	Each Side of Lift Eye
5	55467	Decal Warning No Riders	1	Lift Cylinder Facing Forks
6	55468	Decal Control Lift	1	On Hood RHS Control Lever
7	55469	Decal Control Tilt	1	Hood LHS Control Lever
8	55471	Decal Caution Instruction LJ100	1	Hood Opposite Control levers
9	55472	Decal Warning Instruction LJ100	1	Hood Centered Above Handle
10	55473	Decal Warning Load Low Carry	1	Top Brace of Mast Facing Operator
11	55474	Decal Warning Hands Clear	1	Top of Lift Gate Facing Forks
12	55485	Tag Switch Stop Fuel	1	Front of Engine
13	55486	Decal Tag Start	1	Front of Engine
14	55504	Decal Instruction Forward	1	Left Hand Side Handle Bar
15	55505	Decal Instruction Reverse Horn	1	Right Hand Side Handle Bar
16	55506	Decal Instruction Lift Point Cover	1	Top of Engine Cowl