

PARTS MANUAL



NIGHTHAWK SERIES MODEL LT12D50SA DEDICATED LIGHT TOWER (LOMBARDINI LDW 1003 DIESEL ENGINE)

Revision #1 (06/03/11)



THIS MANUAL MUST ACCOMPANY THE EQUIPMENT AT ALL TIMES.

PN: 49121

SUGGESTED SPARE PARTS

LT12D50SA LIGHT TOWER

1 to 3 units

Qty.	P/N	Description
2.....	200ZG106	Lens Gasket
2.....	190ZQREF	Lens
2.....	50Z-D-REF-SUP ..	Support, Lamp Tip
2.....	MVR1000BT37	Bulb
1.....	29798	Ballast & Capacitor 230V, 50Hz
1.....	150Z-E267	Cord Set, 60" w/ 3 Pin Male Plug
1.....	0051475BH	Ballast Capacitor 30µF @440V
1.....	GECAP35MF	Excitation Capacitor 35µF @425V

LT12D50SA LIGHT TOWER WITH LOMBARDINI LDW 1003 DIESEL ENGINE

1 to 3 units

Qty.	P/N	Description
1.....	2175107	Oil Filter, Lombardini
1.....	2175046.....	Fuel Filter 4-3/4"L
1.....	12850347	Fuel Filter 2-3/4"L
1.....	2175143S ...	Fuel Filter W/Water Drain
1.....	2175164.....	Air Filter
1.....	12850745....	Fan Belt 875mm
1.....	12851312....	Lower Radiator Hose
1.....	12850362....	Upper Radiator Hose
1.....	9195124.....	Thermostat
1.....	12850153....	Thermostat Gasket (O-Ring)
1.....	6585097	Fuel (Feed) Pump
1.....	1200087	Fuel (Feed) Pump Gasket (O-Ring)
1.....	6584438.....	Water Pump
1.....	4580083.....	Water Pump Gasket
1.....	6745056.....	Oil Switch
1.....	12850742....	Alternator
1.....	7245454.....	Electric Panel Control Box
1.....	5840224.....	Starter
1.....	2440338.....	Timing Belt
1.....	5460450.....	Muffler
1.....	4400102.....	Valve Cover Gasket

NOTICE

Part numbers on this Suggested Spare Parts list may supersede/replace the part numbers shown in the following parts lists.

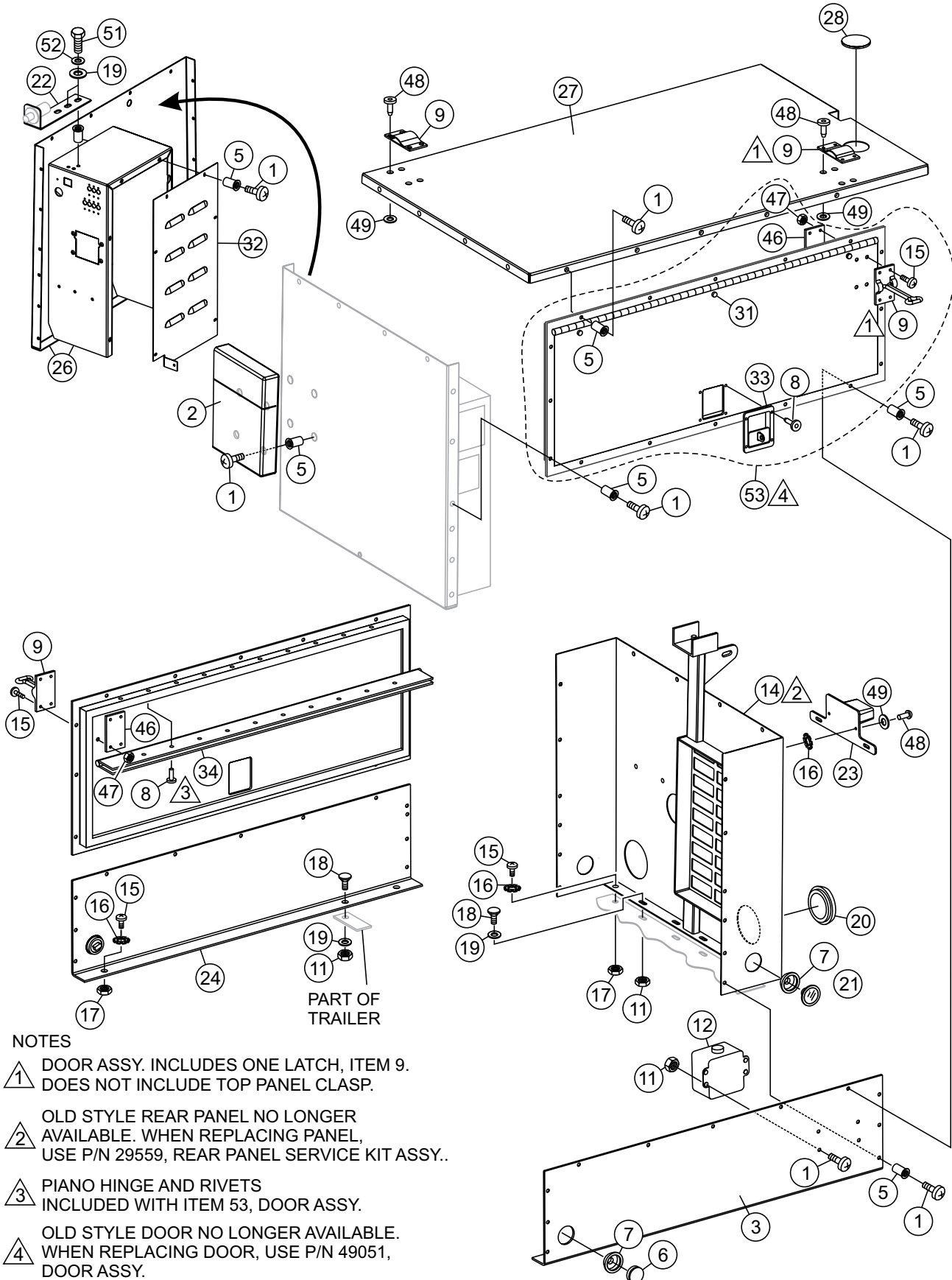
NAMEPLATES AND DECALS 1

<u>NO.</u>	<u>PART NO.</u>	<u>PART NAME</u>	<u>QTY.</u>	<u>REMARKS</u>
1	49019	DECAL, HOT SURFACE	1 REPLACES DCL181
2	29722	DECAL, 220 VAC POWER 25A, 1.0" X 2.0"	1	
4	49009	DECAL, TOWING INSTRUCTIONS	1 REPLACES DCL112
5	49008	DECAL, GROUND LUG.....	1 REPLACES DCL105
6	49025	DECAL, MQ LOGO 5.6 X 4.5, RED	1	
7	29729	DECAL, NATM MANUFACTURER COMPLIANCE	1	
8	13118	DECAL, POWDER COATED	1	
9	29126	DECAL, INSERT FORKS.....	1 REPLACES DCL103
16	49026	DECAL, MQ/MULTIQUIP, 36" RED	1	
20	49012	DECAL, LOOSEN TO TURN (MAST)	1 REPLACES DCL116
21	35137	DECAL, READ MANUAL, ASK FOR TRAINING	2	
22	49029	DECAL, NIGHTHAWK/LT12, CURB SIDE	1	
23	49011	DECAL, LAMPS.....	1 REPLACES DCL113, DCL117
24	49020	DECAL, SHOCK HAZARD, LARGE.....	1 REPLACES DCL102
25	49014	DECAL, OPERATING INSTRUCTIONS.....	1 REPLACES DCL119, DCL180, DCL182, 36090
26	20525	DECAL, WARNING "PROP 65", 3.25 X 4.25	1	
27	49006	DECAL, CHECK ENGINE.....	1 REPLACES DCL193, DCL194
28	49022	DECAL, DANGER BATTERY/MOVING PARTS	1 REPLACES DCL182, DCL191
29	36092	DECAL, DIESEL FUEL, 3.5 X 1.75.....	1 REPLACES DCL184

NAMEPLATES AND DECALS 2

<u>NO.</u>	<u>PART NO.</u>	<u>PART NAME</u>	<u>QTY.</u>	<u>REMARKS</u>
9	29126	DECAL, INSERT FORKS.....	1	REPLACES DCL103
10	49018	DECAL, MAST LOCK PIN	1	REPLACES DCL118
11	29680	DECAL, MULTIPLE TRAILER VIN	1	
12	29838	DECAL, TIRE LOADING, LT12	1	
13	49002	DECAL, TRLR HITCH/WHEEL WARNING	1	REPLACES 29471, 29472, 29473, 29474
14	49013	DECAL, STANCHION LATCH	1	REPLACES DCL109, DCL104
15	49028	DECAL, NIGHTHAWK/LT12, ROAD SIDE	1	
16	49026	DECAL, MQ/MULTIQUIP, 36" RED	1	
17	29132	DECAL, SHUT DOWN	1	
18	29047	DECAL, HIGH VOLTAGE	1	
19	49027	DECAL, MQ/MULTIQUIP, 30" RED	1	
30	49016	DECAL, HORIZONTAL JACKS	3	REPLACES DCL106
31	36091	DECAL, HOT COOLANT 3.5 X 1.75.....	1	REPLACES DCL183
32	29651	DECAL, MAST SAFETY	1	REPLACES DCL108, DCL120
33	49007	DECAL, MAIN BREAKERS.....	1	REPLACES DCL189, DCL199
34	49010	DECAL, LIGHT CONTROLS.....	1	REPLACES DCL115
35	19655	DECAL, DANGER HIGH VOLTAGE	1	REPLACES 29116
36	49021	DECAL, SHOCK HAZARD, SMALL	1	REPLACES DCL187

CABINET ASSY. (OLD STYLE)



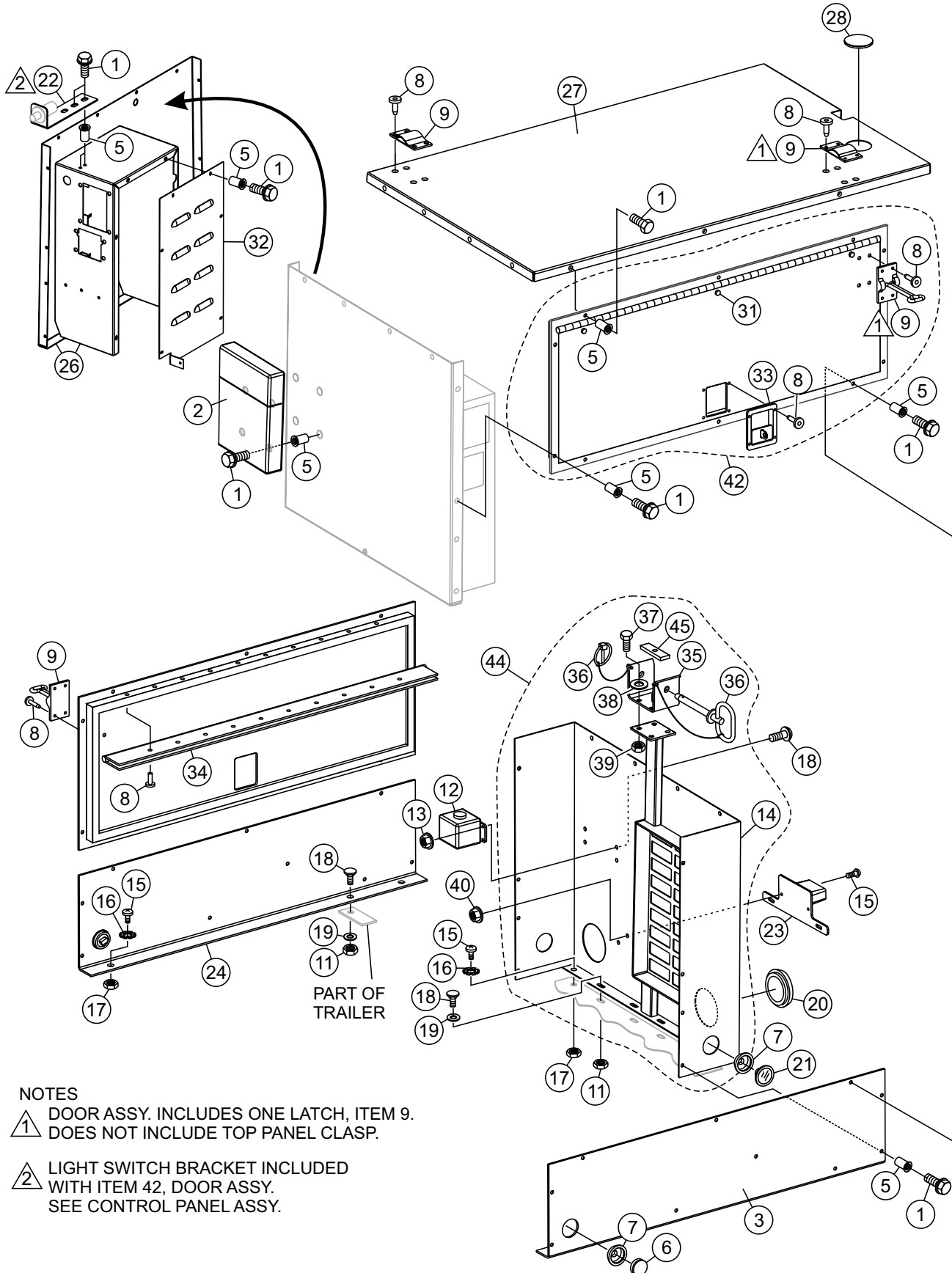
NOTES

- 1 DOOR ASSY. INCLUDES ONE LATCH, ITEM 9. DOES NOT INCLUDE TOP PANEL CLASP.
- 2 OLD STYLE REAR PANEL NO LONGER AVAILABLE. WHEN REPLACING PANEL, USE P/N 29559, REAR PANEL SERVICE KIT ASSY..
- 3 PIANO HINGE AND RIVETS INCLUDED WITH ITEM 53, DOOR ASSY.
- 4 OLD STYLE DOOR NO LONGER AVAILABLE. WHEN REPLACING DOOR, USE P/N 49051, DOOR ASSY.

CABINET ASSY. (OLD STYLE)

<u>NO.</u>	<u>PART NO.</u>	<u>PART NAME</u>	<u>QTY.</u>	<u>REMARKS</u>
1	12287	SCREW, THP 1/4-20 X 3/4 SS	68	
2	29057	DOCUMENT BOX, CP20007-07	1	
3	29561	PANEL, LOWER LEFT SIDE	1	
5	19266	NUT, BLIND 1/4-20 X 10GA GRIP	64	
6	29563	LIGHT, 2" ROUND, AMBER, M146A	2	
7	29564	GROMMET, W/WIRE KIT, 2", 24146-18K	4	
8@	19847	RIVET	50	
9@	29281	DOOR HOLD BACK ASSY.	4	
11	10024	NUT, NYLOC 1/4-20	5	
12	29653	TANK, COOLANT RECOVERY 1 QT	1	
14		PANEL, REAR.....	1	NO LONGER AVAILABLE
			S/N 903837 AND BELOW
			USE NEW P/N 29559
			SERVICE KIT ASSY.
15@	5065 B	SCREW, PHP 10-32 X 1/2	12	
16	10237	WASHER, EXT. SHKP, #10	6	
17	10019	NUT, NYLOC 10-32	4	
18	29712	BOLT, CARRIAGE 1/4-20 x 3/4	4	
19	0948	WASHER, FLAT SAE 1/4	7	
20	29610	LIGHT KIT, STOP/TAIL	2	
21	29611	LIGHT, 2" ROUND RED M146R	2	
22	29607	BRACKET, LIGHT SWITCH	1	
23	29552	BRACKET, LICENSE PLATE W/LIGHT	1	
24	29663	PANEL, LOWER RIGHT SIDE	1	
26	29615	PANEL, FRONT W/A DLT	1	
27	29553	PANEL, TOP	1	
28	29690	COVER, PLASTIC SNAP 3.0 HOLE	1	
31	29711	BUMPER, 1/2 DIA. BLACK	10	
32	29683	COVER, BALLAST, DEUTZ/ LOMBARDINI	1	
33@	081407053413	LATCH	2	
34@		PIANO HINGE	2	
46@	29689	PLATE, DOOR HOLD BACK	2	
47@	1618	NUT, NYLOC 10-24	8	
48	29341	RIVET, POP, SS, 3/16x1/4-3/8 GRIP	10	
49	29342	WASHER, 3/16" POP-RIVET BACKUP SS 8	10	
51	0131 A	SCREW, HHC 1/4-20 x .75	2	
52	0181 B	WASHER, LOCK 1/4 MED	2	
53		DOOR ASSY.....	2	NO LONGER AVAILABLE
			MAY 2007 AND BELOW
			USE NEW P/N 49051
			INCLUDES ITEMS W/@

CABINET ASSY. (NEW STYLE)



NOTES

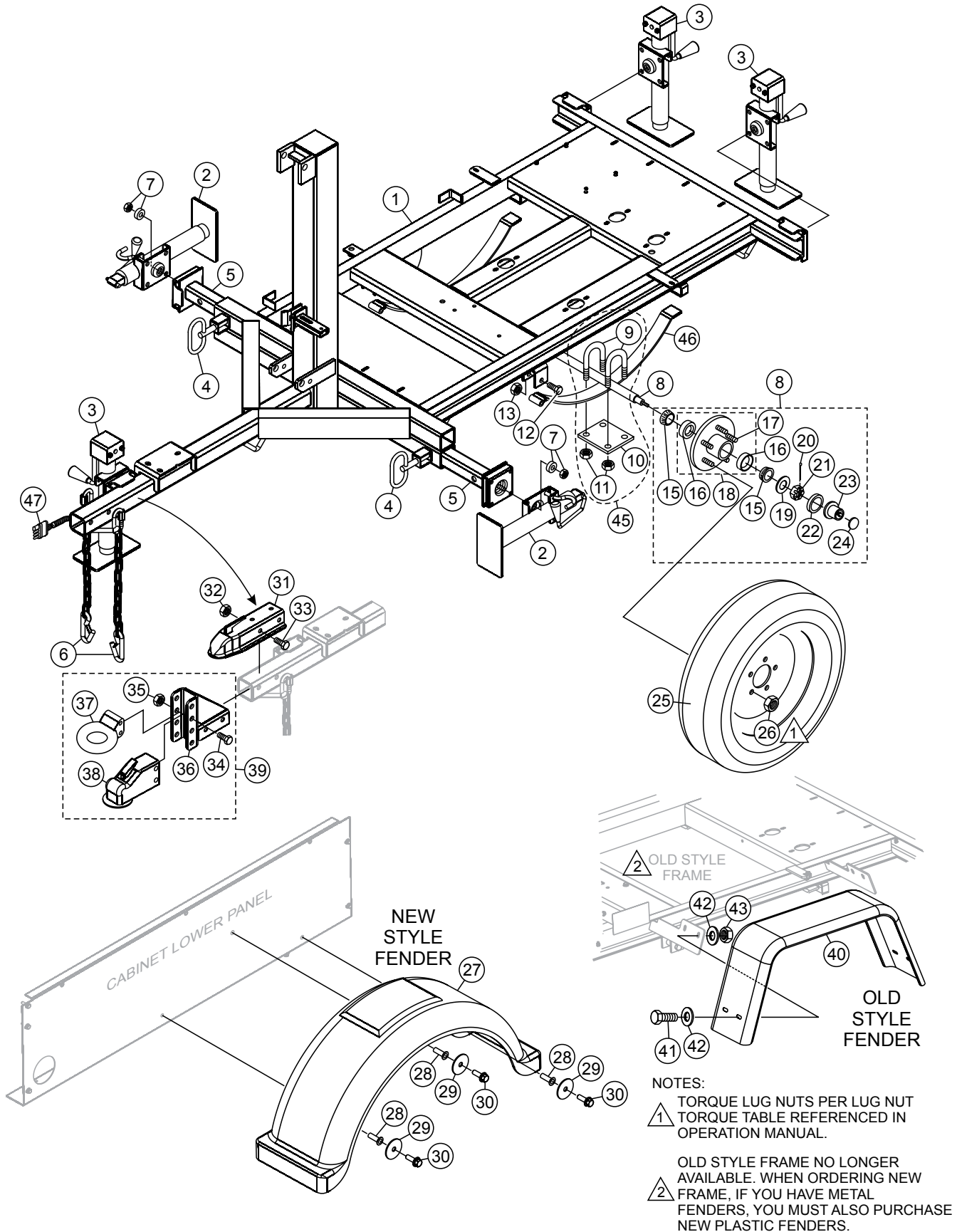
⚠ DOOR ASSY. INCLUDES ONE LATCH, ITEM 9.
 1 DOES NOT INCLUDE TOP PANEL CLASP.

⚠ LIGHT SWITCH BRACKET INCLUDED
 WITH ITEM 42, DOOR ASSY.
 SEE CONTROL PANEL ASSY.

CABINET ASSY. (NEW STYLE)

<u>NO.</u>	<u>PART NO.</u>	<u>PART NAME</u>	<u>QTY.</u>	<u>REMARKS</u>
1	49048	SCREW, HHFS 1/4-20 X 3/4 GR5	48	
2	29057	DOCUMENT BOX, CP20007-07	1	
3	29816	PANEL, LOWER LEFT SIDE	1	
5	19266	NUT, BLIND 1/4-20 X 10GA GRIP	48	
6	29898	LIGHT, 2-1/2 SIDE MARKER, AMBER, 143A	2	
7	29900	GROMMET, W/WIRE KIT, 2-1/2", 14218K	4	
8%	19847	RIVET, POP, ALUM, 3/16 X 1/8-1/4 GRIP	66	
9%	29281	DOOR HOLD BACK ASSY.	4	
11	10024	NUT, NYLOC 1/4-20	5	
12	29653	TANK, COOLANT RECOVERY 1 QT	1	
13	49070	NUT, FLANGED 1/4-20 SERRATED PLTD	4	
14@	29940	PANEL, REAR	1	
15	5065 B	SCREW, PHP 10-32 X 1/2	6	
16	10237	WASHER, EXT. SHKP, #10	4	
17	10019	NUT, NYLOC 10-32	4	
18	29712	BOLT, CARRIAGE 1/4-20 X 3/4	9	
19	0948	WASHER, FLAT SAE 1/4	5	
20	29610	LIGHT KIT, STOP/TAIL	2	
21	29899	LIGHT, 2-1/2 SIDE MARKER, RED 143R	2	
22%	29607	BRACKET, LIGHT SWITCH	1	
23	29552	BRACKET, LICENSE PLATE W/LIGHT	1	
24	29817	PANEL, LOWER RIGHT SIDE	1	
26	29866	PANEL, FRONT W/A DLT SNAP	1	
27	29553	PANEL, TOP	1	
28	29989	COVER, PLASTIC SNAP 4.0 HOLE	1	
31%	29711	BUMPER, 1/2 DIA. BLACK	6	
32	29879	COVER, BALLAST DLT, SNAP FIT SWITCH	1	
33%	081407053413	LATCH	2	
34%		PIANO HINGE		
35@	29945	MAST SUPPORT	1	
36@	19280	PIN, 5/8" X 6"	1	
37@	1023	SCREW, HHC 3/8-16 X 1-1/4 GR 5	4	
38@	10136	WASHER, FLAT SAE 3/8	4	
39@	10133	NUT, NYLOC 3/8-16	4	
40	29797	NUT, BLIND 10-32 X .02/.13 GRIP	2	
42	49051	DOOR ASSY.....	2	INCLUDES ITEMS W/% JUNE 2007 AND ABOVE
44	29559	REAR PANEL SERVICE KIT ASSY.....	1	INCLUDES ITEMS W/@ S/N 903838 AND ABOVE
45@	29946	STOP, MAST SUPPORT, 3/8"	1	

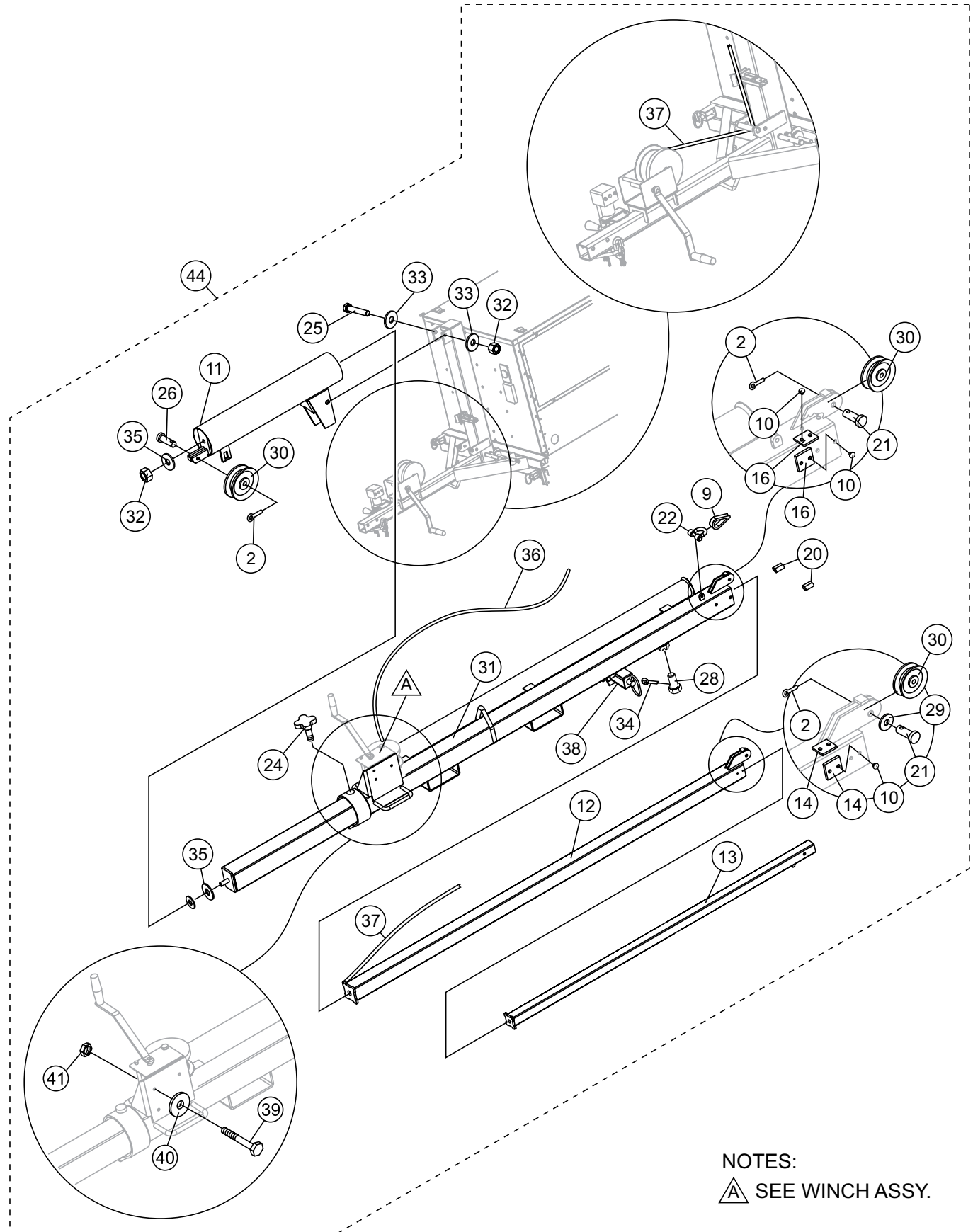
TRAILER ASSY.



TRAILER ASSY.

<u>NO.</u>	<u>PART NO.</u>	<u>PART NAME</u>	<u>QTY.</u>	<u>REMARKS</u>
1	29532	FRAME	1	
2	29478	JACK, TOPWIND 10" BOLT-THRU .5 PIN	2	
3	29479	JACK, SIDEWIND 10" BOLT THRU 0.5" PIN	3	
4	29542	PIN, SPRING LOCK, .625" DIA. X .88"	2	
5	49076	OUTRIGGER, W/A, BOLT MOUNT, PAINTED	2	
6	29572	CHAIN ASM, SAFETY 7600 LB	2	
7	7H0933325	BUSHING/LOCKNUT/BOLT	5	
8	9506	AXLE, SPRING,HUB ASSY,43",TRLR10	1	INCLUDES ITEMS W/%
9#		U-BOLT	4	NOT SOLD SEPARATELY
10#		PLATE, U-BOLT.....	2	NOT SOLD SEPARATELY
11#		NUT, U-BOLT.....	8	NOT SOLD SEPARATELY
12	29248	SCREW, HHC 9/16-18	2	
13	29249	NUT, 9/16-18 AXLE MOUNTING N-2	2	
15%	363180	BEARING CONE (INNER & OUTER)	4	
16%@	363913	BEARING CUP (INNER & OUTER)	4	
17%@	363908	STUD, 1/2"-20	10	
18%	363188	HUB ASSY., IDLER.....	2	INCLUDES ITEMS W/@
19%	363259	WASHER, SPINDLE	2	
20%	363258	COTTER PIN	2	
21%	363257	SPINDLE NUT 1"-1/4	2	
22%	363275	SEAL, GREASE	2	
23%	363277	GREASE CAP (AG)	2	
24%	568067	RUBBER PLUG (AG)	2	
25	19045	WHEEL/TIRE ST175/80-13 L.R. C	2	
26	29194	NUT, LUG 1/2-20	10	
27	29818	FENDER, PLASTIC DLT	2	
28	19266	NUT, BLIND 1/4-20 X 10GA GRIP	6	
29	10930	WASHER, FENDER, 1/4 X 1-1/4	6	
30	49048	SCREW, HHFS 1/4-20 x 3/4 GR5	6	
31	29546	COUPLER, 2" BALL 2.50" TUBE	1	
32	10176	NUT, NYLOC 1/2-13	2	
33	915217	SCREW, HHC 1/2-13 x 3-1/2 GD8 YZ	2	
34\$	9502	BOLT, 5/8-11	2	
35\$	9503	NUT, 5/8-11	2	
36\$	29718	ADAPTER, COUPLING.....	1	CONTACT MQ UNIT SALES
37\$	29369	PINTLE EYE	1	CONTACT MQ UNIT SALES
38\$	29228	COUPLER, 2 IN. BALL	1	
39	29721	PINTLE KIT	1	INCLUDES ITEMS W/\$
40	9505	FENDER, 8X30X13 , METAL	2	
41	0205	SCREW, HHC 3/8-16 X 1.0	8	
42	4001	WASHER, FLAT USS 3/8 PLD	16	
43	10133	NUT, NYLOC 3/8-16	8	
45	UBK1741	U-BOLT KIT	2	INCLUDES ITEMS W/#
46	49017	LEAF SPRING	2	
47	29784	HARNESS, TRLR 48" LOOM	1	

MAST ASSY.



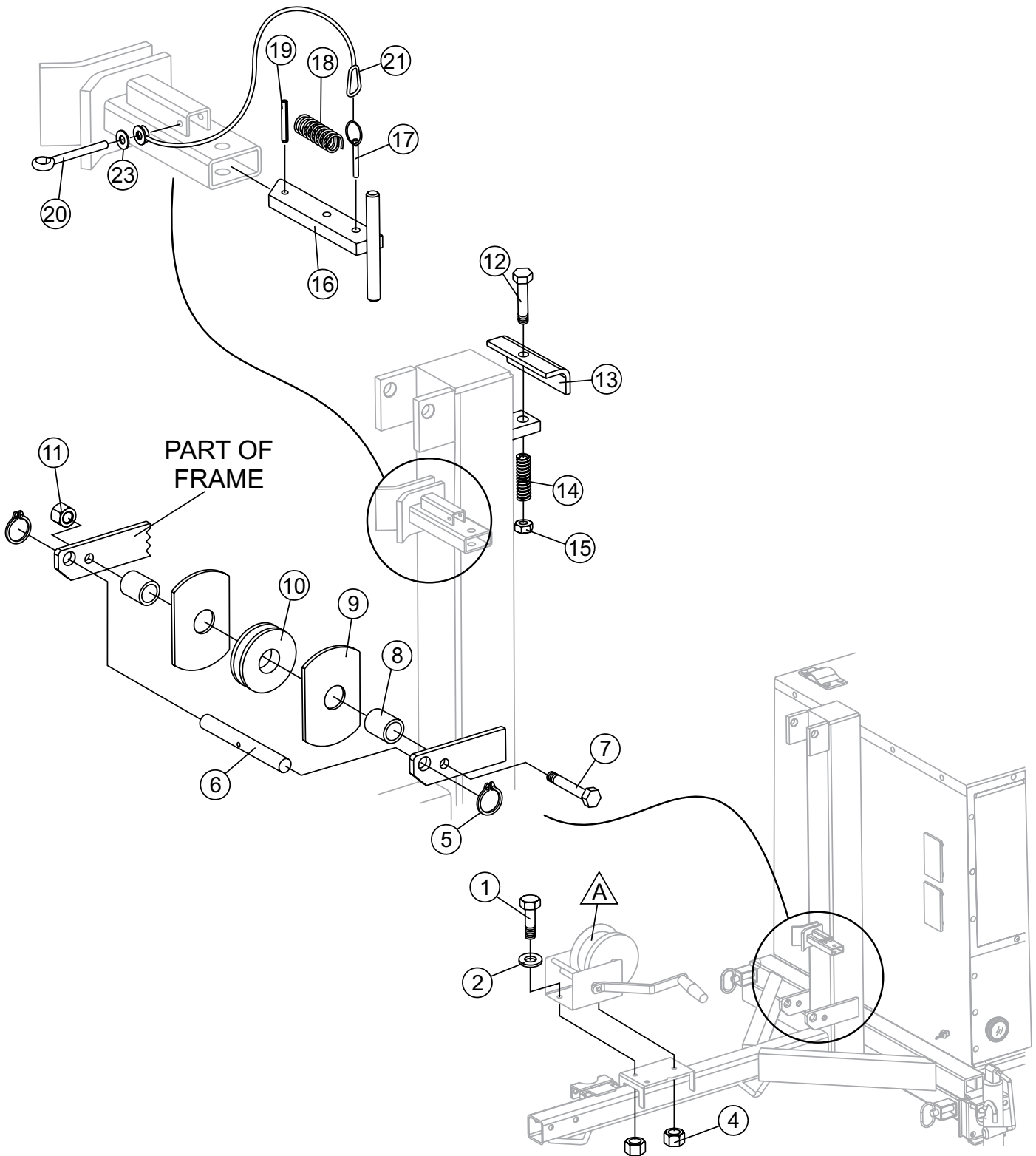
NOTES:

▲ SEE WINCH ASSY.

MAST ASSY.

<u>NO.</u>	<u>PART NO.</u>	<u>PART NAME</u>	<u>QTY.</u>	<u>REMARKS</u>
2	0183	PIN, COTTER 1/8D X 1-1/4	3	
9	19200	THIMBLE, 3/16 WIRE	1	
10	19847	RIVET, POP, ALUM, 3/16x1/8-1/4 GRIP	16	
11	19882	SWIVEL, BASE W/A	1	
12	19920	TUBE, TW-MID W/A	1	
13	19923	TUBE, TWR TOP W/A	1	
14	35302	BLOCK, MAST SLIDE, 2 X 2 UPPER.....	4	REPLACES 19926 AND 19927
16	35300	BLOCK, MAST SLIDE, 3 X 3 LOWER	4	REPLACES 19928 AND 19929
20	19973	SWAGE, AL 3/16	2	
21	19974	PIN, CLEVIS 1/2 X 1.25 EFF	2	
22	19975	SHACKLE, ANCHOR CP	1	
24	19977	KNOB, CLAMP 1/2-13 THREAD	1	
25	19978	SCREW, HHC 3/4-10 x 6.5	1	
26	19988	PIN, CLEVIS 1/2 X 1.75 EFF	1	
28	29075	SCREW, HHC 1/2-13 X 1 DRILLED	1	
29	29114	WASHER, FENDER 1/2 x 2 MLT	1	
30	29155	SHEAVE, 2.00 OD X 0.500 ID	3	
31	29652	TUBE, BOTTOM TOWER W/A	1	S/N 903837 AND BELOW
31	29941	TUBE, BOTTOM TOWER W/A	1	S/N 903838 AND ABOVE
32	5070 B	NUT, NYLOC 3/4-10	2	
33	5079	WASHER, FLAT 3/4 USS	3	
34	6014 B	PIN, COTTER 3/32DX1.00	1	
35	8151	WASHER, FLAT SAE 3/4	2	
36	19939	CABLE, LOWER MAST	1	231 IN. LENGTH
37	19938	CABLE, UPPPER MAST.....	2	140 IN. LENGTH
38	29664	PIN, SPRING LOCK.....	1	S/N 903837 AND BELOW
39	1023	HHC 3/8-16 X 1-1/4 GR5	3	
40	10136	WASHER, FLAT 3/8 SAE	3	
41	21781	NUT, FLANGED 3/8-16 SERRATED, PLATED..	3	REPLACES 10133
44	29650	MAST ASSY.....	1	S/N 903838 AND ABOVE
			S/N 903837 AND BELOW NO LONGER
			AVAILABLE. CONTACT PARTS DEPT FOR
			REQUIRED REPLACEMENT PARTS

MAST RAISE/LOWER ASSY.



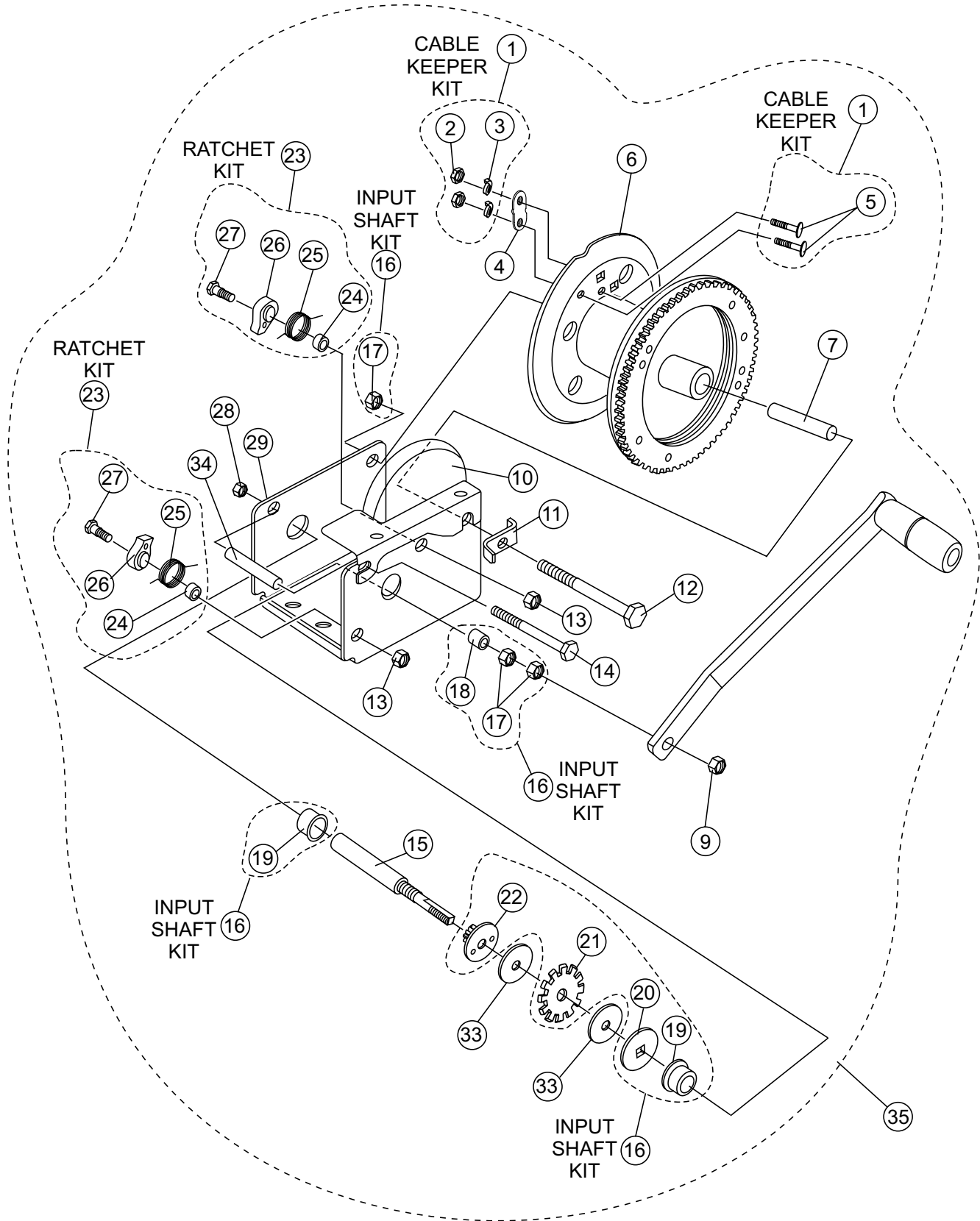
NOTES:

▲ SEE WINCH ASSY.

MAST RAISE/LOWER ASSY.

<u>NO.</u>	<u>PART NO.</u>	<u>PART NAME</u>	<u>QTY.</u>	<u>REMARKS</u>
1	0205	SCREW, HHC 3/8-16 x 1 IN. PLATED	3	
2	10136	WASHER, FLAT 3/8 IN.	3	
4	21781	NUT, FLANGED 3/8-16 SERRATED, PLATED.....	3REPLACES 10133
5	1135	SNAP RING	2	
6	29008	PIN, SWAGE BALL SOCKET	1	
7	29017	SCREW, HHC 1/2-13 x 5.5 IN.	1	
8	29018	SPACER, .75 OD x .5 ID x 1.59 IN.	2	
9	29016	GUIDE, WIRE ROPE	2	
10	29155	SHEAVE, 2 OD x .5 IN. ID	1	
11	10176	NUT, NYLOC 1/2-13 IN.	1	
12	29077	SCREW, HHC 5/8-11 x 9.5 IN.	1	
13	29481	STOP, MAST THRUST SPRING	1	
14	19989	SPRING, TOWER	1	
15	9503	NUT, NYLOC 5/8-11 IN.	1	
16	29033	TOWER, LOCK	1	
17	19012	LOCK PIN 5/16 x 2 IN. QUICK RELEASE	1	
18	29482	SPRING, .468 OD x 2.13 IN.	1	
19	20276	PIN, ROLL 1/4 x 1.75 IN.	1	
20	0183	PIN, COTTER 1/8D x 1-1/4 IN.	1	
21	19996	LANYARD	1	
23	1450	WASHER, FLAT SAE #6	1	

WINCH ASSY. (FULTON)



NOTES:

△ SEE MAST ASSY.

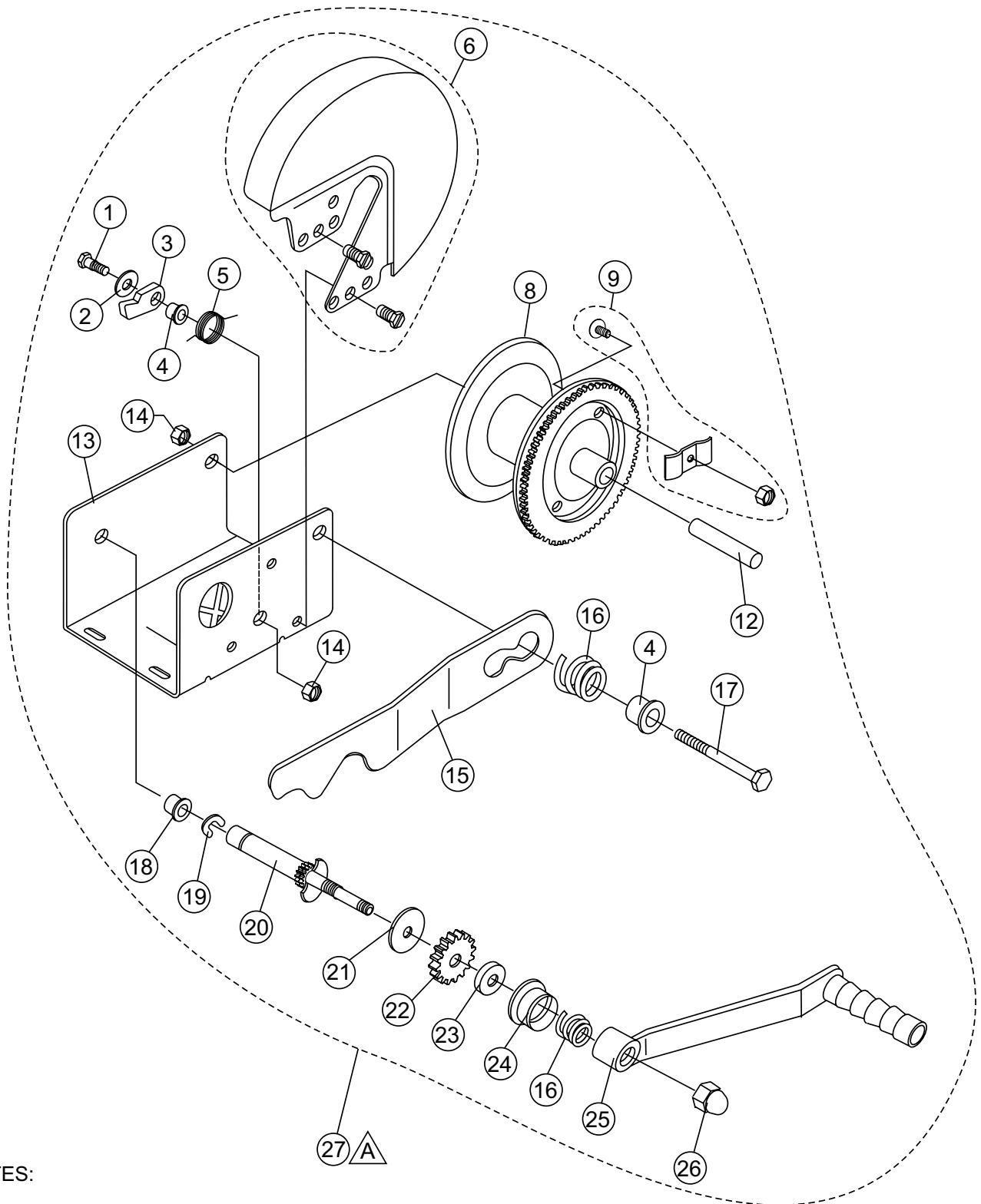
WINCH ASSY. (FULTON)

NO.	PART NO.	PART NAME	QTY.	REMARKS
1+	562101	CABLE KEEPER KIT	2	INCLUDES ITEM W/@
2@+		NUT	2	
3@+		WASHER, LOCK	2	
4@+		CABLE CLAMP	1	
5@+		CARRIAGE BOLT	2	
6+		DRUM ASSY.....	1	SEE NOTICE BELOW
7+		DRUM SPACER	1	SEE NOTICE BELOW
8+	29206	HANDLE ASSY.	1	
9+		LOCK NUT 1/2-13.....	1	STD. HDW. PURCHASE LOCALLY
10+	12124S01	COVER ASSY	1	
11+		BOLT LOCK	1	SEE NOTICE BELOW
12+		CAP SCREW 1/2-13.....	1	STD. HDW. PURCHASE LOCALLY
13%+		LOCK NUT	2	
14+		CAP SCREW 3/8-16.....	1	STD. HDW. PURCHASE LOCALLY
15+	1564S01	INPUT SHAFT	1	
16+	1563S01	KIT, INPUT SHAFT	1	INCLUDES ITEM W/#
17#+		LOCK NUT 1/2-13	3	
18#+		SPACER	1	
19#+		BUSHING	2	
20#+		SHAFT BRAKE DISC	1	
21#+		RATCHET GEAR	1	
22#+		PINION AND DISC	1	
23+	6730S00	RATCHET KIT	2	INCLUDES ITEMS W/%
24%+		RATCHET SPACER	2	
25%+		RATCHET SPRING	2	
26%+		RATCHET PAWL	2	
27%+		SHOULDER BOLT 5/16-18	2	
28+		LOCK NUT 3/8-16.....	1	STD. HDW. PURCHASE LOCALLY
29+		FRAME	1	SEE NOTICE BELOW
33+	1558S00	FRICTION DISC KIT	2	
34+		FRAME SPACER	1	SEE NOTICE BELOW
35	19976	HAND WINCH 1200 LBS. COMPLETE ASSY.....	1	INCLUDES ITEMS W/+

NOTICE

Sold only as a complete assembly. Use part number 19976 when ordering.

WINCH ASSY. (DUTTON-LAINSON)



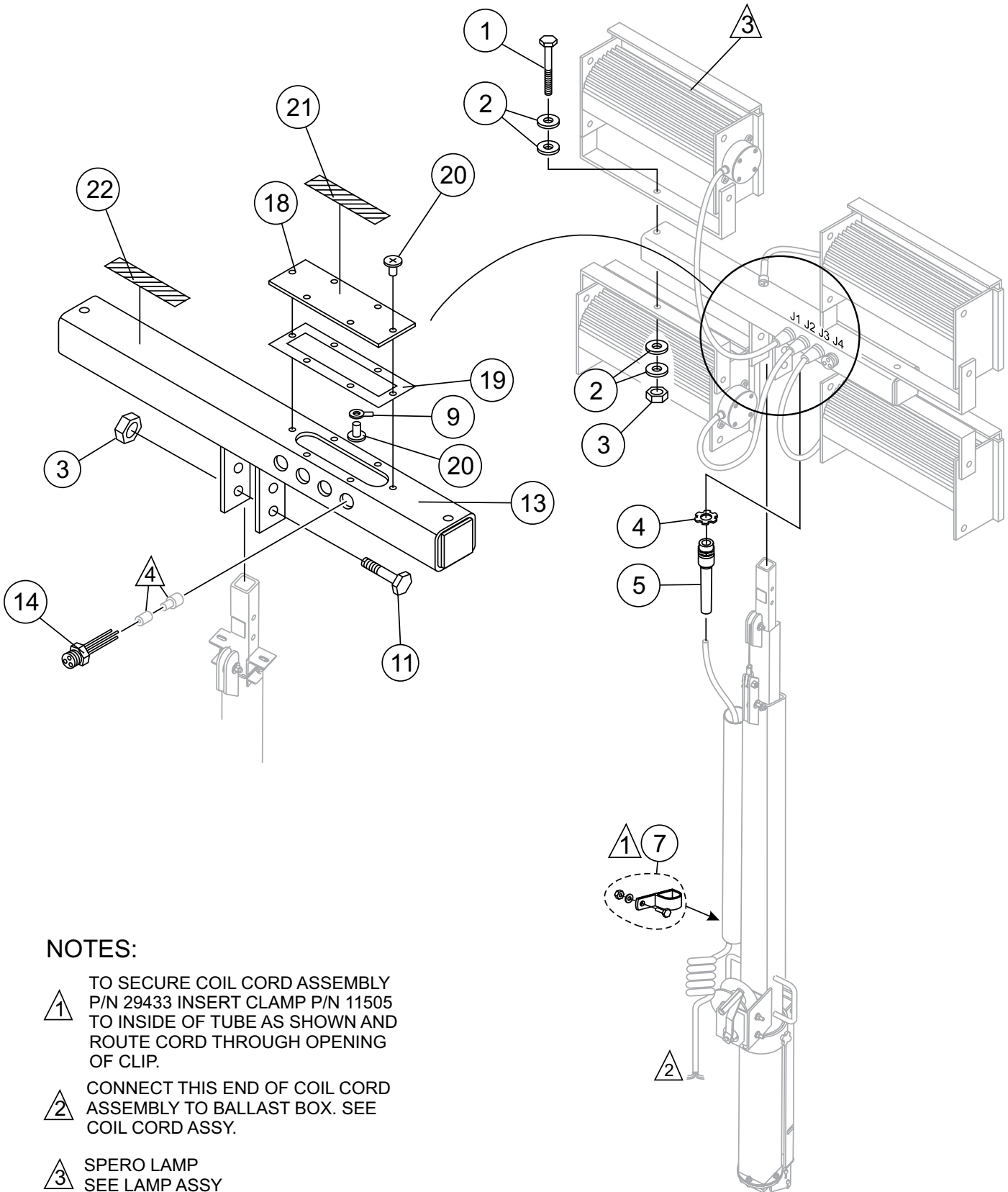
NOTES:

A REFER TO MAST AND TRAILER ASSEMBLIES FOR WINCH MOUNTING HARDWARE.

WINCH ASSY. (DUTTON-LAINSON)

<u>NO.</u>	<u>PART NO.</u>	<u>PART NAME</u>	<u>QTY.</u>	<u>REMARKS</u>
1#	DL205167	BOLT	1	
2#	DL205055	WASHER	1	
3#	DL404409	PAWL	1	
4#	DL404166	SPACER	2	
5#	DL204363	SPRING	1	
6#	DL5240387	GEAR COVER, PAINTED BRONZE	1	
6#	DL5240403	GEAR COVER, PLATED	1	
8#	DL304755	REEL	1	
9#	DL304221	ROPE CLAMP KIT	1	
12#	DL204808	REEL SPACER	1	
13#	DL404891	BASE	1	
14#	DL204803	NUT	2	
15#	DL404579	LOCKOUT LEVER	1	
16#	DL204364	SPRING	2	
17#	DL205127	BOLT	1	
18#	DL204009	BUSHING	1	
19#	DL205116	E-RING	1	
20#	DL304760	DRIVE SHAFT	1	
21#	DL204362	PRESSURE PLATE	1	
22#	DL404164	RATCHET WHEEL	1	
23#	DL404163	PRESSURE WASHER	1	
24#	DL206328	BUSHING	1	
25#	29793	HANDLE	1	
26#	DL205033	NUT	1	
27	29790	WINCH ASSY. 1500A D-L.....	1INCLUDES ITEMS W/#

T-BAR ASSY.



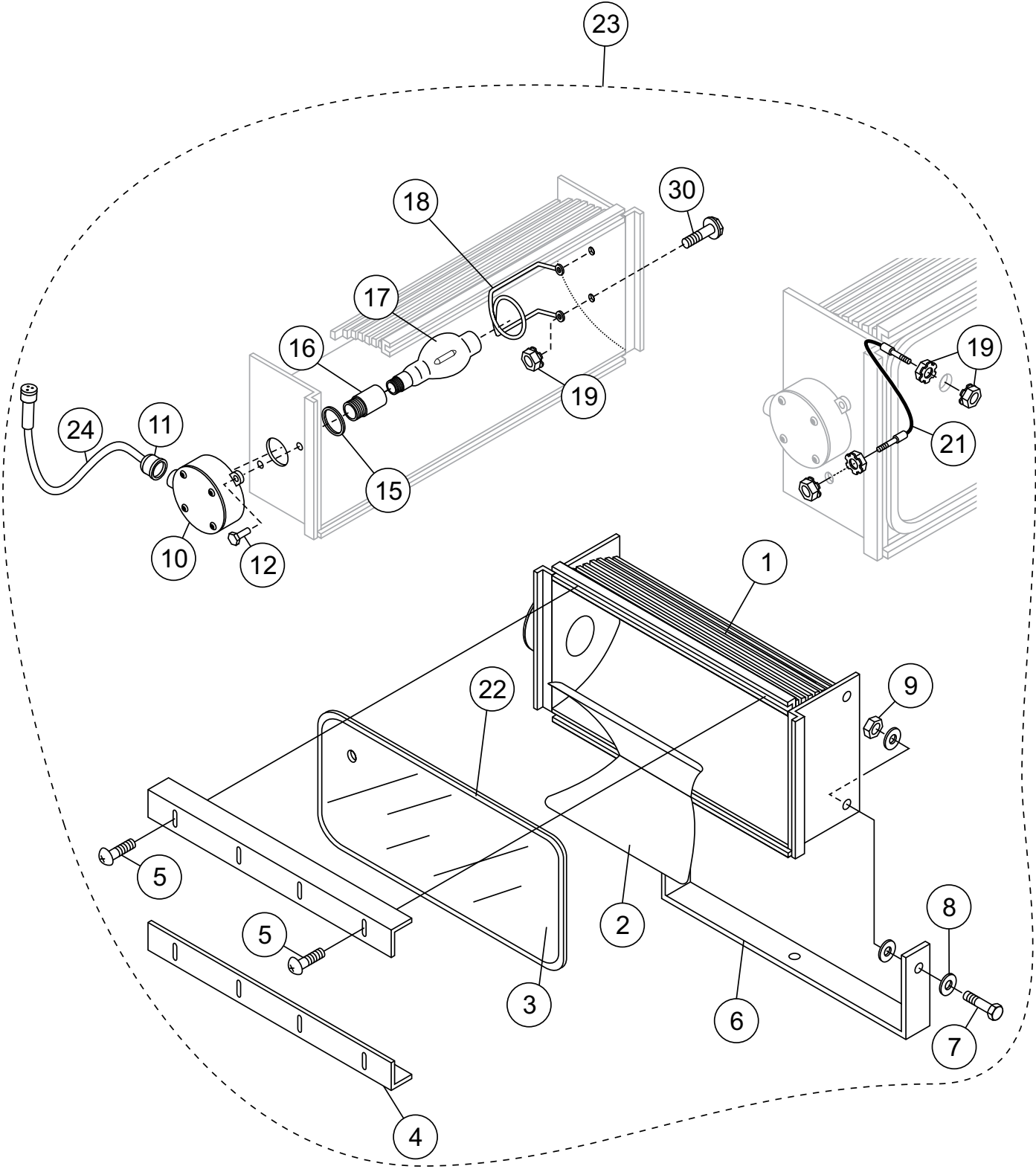
NOTES:

- 1** TO SECURE COIL CORD ASSEMBLY P/N 29433 INSERT CLAMP P/N 11505 TO INSIDE OF TUBE AS SHOWN AND ROUTE CORD THROUGH OPENING OF CLIP.
- 2** CONNECT THIS END OF COIL CORD ASSEMBLY TO BALLAST BOX. SEE COIL CORD ASSY.
- 3** SPERO LAMP
SEE LAMP ASSY
- 4** CRIMP SLEEVE AND INSULATOR.
SEE COIL CORD ASSY.

T-BAR ASSY.

<u>NO.</u>	<u>PART NO.</u>	<u>PART NAME</u>	<u>QTY.</u>	<u>REMARKS</u>
1	10306	SCREW, HHC 1/2-13 X 4 1/2	2	
2	13211	WASHER, FLAT 1/2 IN. USS	8	
3	10176	NUT, NYLOC 1/2-13	4	
4	26560	NUT, LOCKING 3/4 NPT CONDUIT	1	
5	19965	CORD GRIP (HUBBELL 07401017)	1	
7	11505	CLAMP	1	
9	3254	TERMINAL, RING 16-14 3/8 IN.	1	
11	06503-026	SCREW, HHC 1/2-13 X 3-1/4 IN.	2	
13	29781	TEE-BAR, LIGHT MOUNT, MLT/DLT SPERO	1	
14	29168	RECEPTACLE ASSY	4	
18	19945	PLATE, T-BAR WIRING COVER	1	
19	19944	GASKET, T BAR	1	
20	29046	SCREW, PHPM 10-32 X 3/8 IN. ZINC	7	
21	29047	DECAL, HIGH VOLTAGE	1	
22	19972	REFLECTOR, RED, PETERSON #B491R	1	

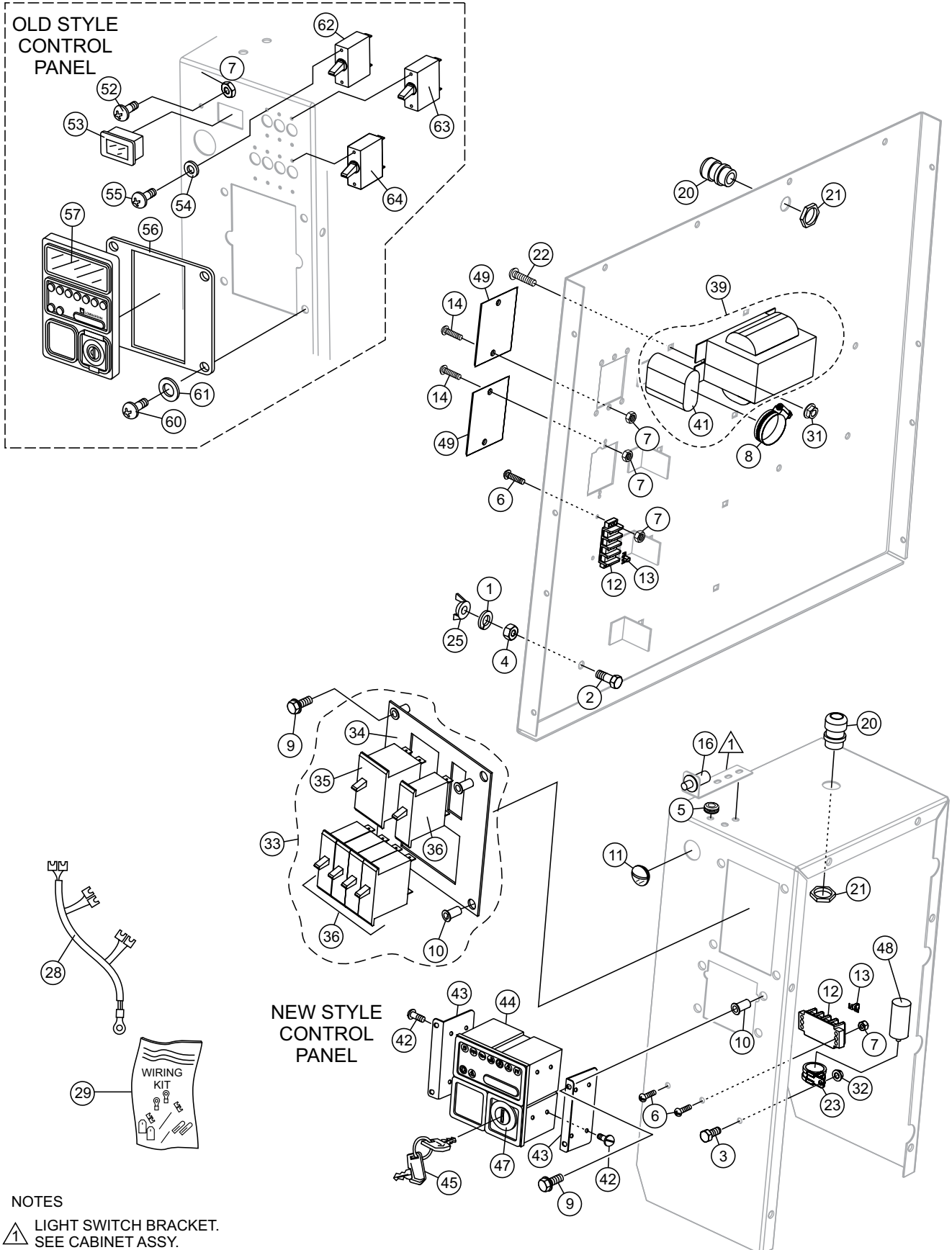
LAMP ASSY.



LAMP ASSY.

<u>NO.</u>	<u>PART NO.</u>	<u>PART NAME</u>	<u>QTY.</u>	<u>REMARKS</u>
1%	20S-REF-1	REF1000 BODY ASSY.	1	
2%	30M-REF-REF	REFLECTOR, ALUMINUM 14-7/8 X 16-5/8 IN.	1	
3%	190ZQREF	REF 1000 LENS 190ZQREF	1	
4%	170M-REF-5	REF LENS HOLD DOWN	2	
5%	70Z-FSCR3	SCREW 8-32 X 1/2 IN.	8	
6%	250-REF-6	YOKE, LIGHT FIXTURE	1	
7%	260Z-FSCR9	BOLT, HEX HEAD 1/2-13 x 1-1/2 IN.	2	
8%	280Z-FWFL2	WASHER, FLAT 1/2 IN.	4	
9%	270Z-FNT4	NUT, HEX 1/2-13 IN.	2	
10%	Z-C-239	VAPORTITE OCTAGON BOX 1/2 IN. W/4 THREADED PLUGS G9 SILVER	1	
11%	150Z-FSR3	STRAIN RELIEF SRW 1/2 IN. BLACK	1	
12%	Z-FSCR9	BOLT, HEX HEAD ZINC PLATED 1/2-13 X 1-1/2 IN.	2	
15%	90Z-G-102	GASKET, HEX #5 OR #6	1	
16%	70Z-SK65	MOGUL SOCKET W/ANTI-VIBRATION GASKET	1	
17%	MVR1000BT37	BULB, LIGHT FIXTURE	1	
18%	50Z-D-REF-SUP	SUPPORT, REF1000 LAMP TIP	1	
19%	230Z-FNTL6-1	KEEP NUT 8-32	6	
21%	210S-CBL-6	CABLE ASSY.	1	
22%	200ZG106	GASKET, U-CHANNEL REFLECTOR 200ZG106	1	
23	29773	LIGHT FIXTURE ASSY.	1	INCLUDES ITEMS W/%
24%	150Z-EZ67	POWER CORD, 60" W/ 3-PIN MALE PLUG	1	
30	4106781000	SCREW, 8-32 X 3/8	2	

CONTROL PANEL/BALLAST ASSY.



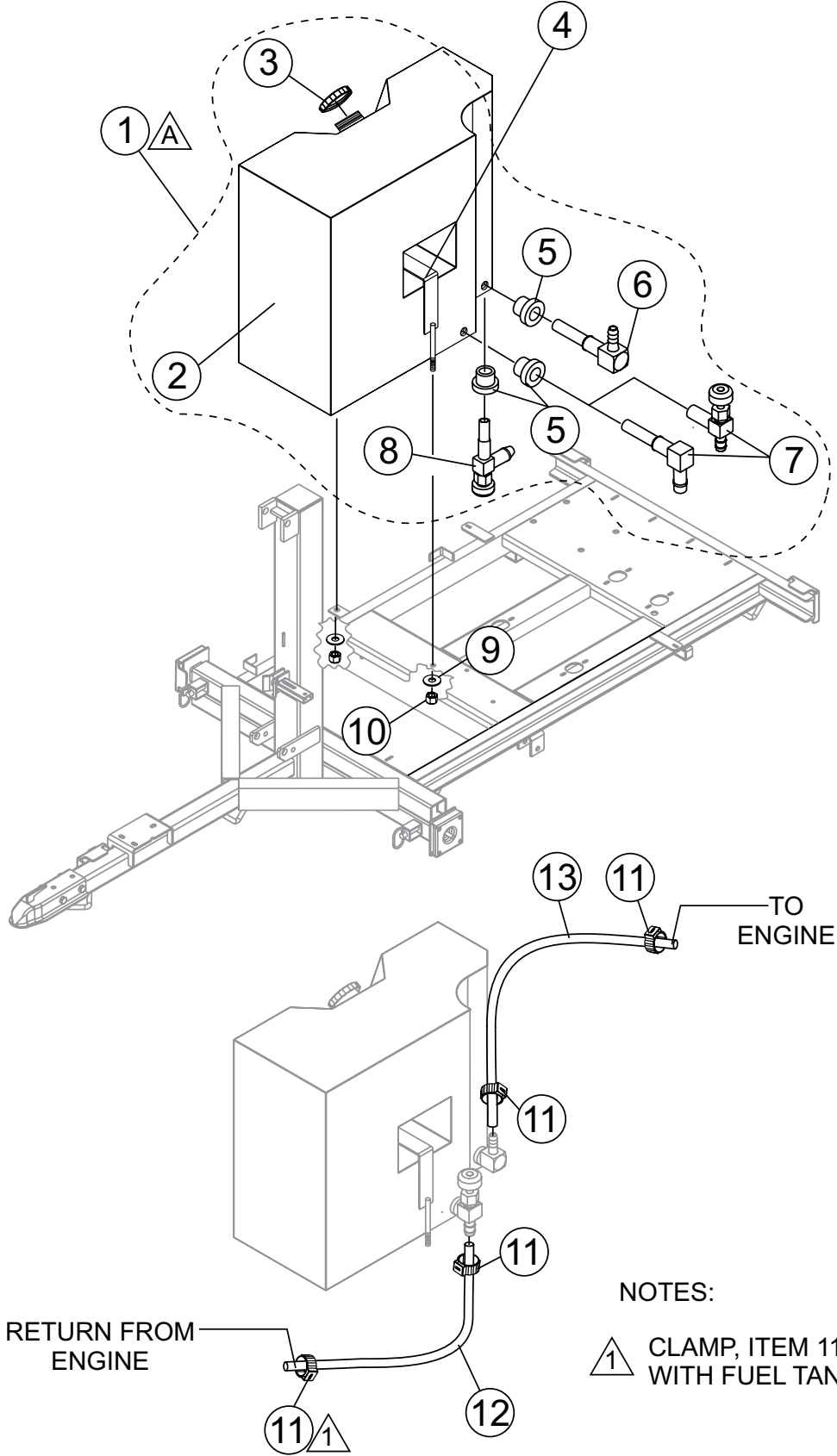
NOTES

- 1 LIGHT SWITCH BRACKET. SEE CABINET ASSY.

CONTROL PANEL/BALLAST ASSY.

<u>NO.</u>	<u>PART NO.</u>	<u>PART NAME</u>	<u>QTY.</u>	<u>REMARKS</u>
1	0166 A	WASHER, LOCK, 3/8 MED.	1	
2	0205	SCREW, HHC 3/8-16 X 1 PLATED	1	
3	0655	SCREW, HHC 5/16-18	1	
4	1876	NUT, HEX FINISH 3/8-16	1	
5	2574	GROMMET, 5/16" ID 7/16" OD	1	
6	8133	SCREW, PHP 10-32 X 3/4	4	
7	10019	NUT, NYLOC 10-32.....	9	S/N 902625 AND BELOW
7	10019	NUT, NYLOC 10-32.....	8	S/N 902626 AND ABOVE
8	12277	CLAMP, HOSE WORM 1-9/16 TO 2 SIZE 32	4	
9	49048	SCREW, HHFS 1/4-20 X 3/4 G5	8	
10%	19266	NUT, BLIND 1/4-20 X 10 GA	8	
11	19297	LIGHT, PETERSON MFG V438	1	
12	19968	TERMINAL BLOCK (DC 70014)	2	
13	29071	CONNECTOR, QUICK SCREW TERMINAL	4	
14\$	5065 B	SCREW, RHM #10-32 X 0.5	4	
16	29603	SWITCH, MOMENTARY	1	
20	29655	FITTING, STRAIN RELIEF HEYCO 3234	2	
21	29656	LOCKNUT, NYLON	2	
22	29712	BOLT, CARRIAGE 1/4-20 X 3/4	8	
23	29796	CLAMP, CUSHIONED LOOP, 1-3/4 DIA X1	1	
25	W29109	NUT, WING 3/8-16	1	
28	49052	HARNESS, LT12D50SA	1	
29	29675	WIRING KIT, LT-12	1	
31	49070	NUT, FLANGED 1/4-20 SERATED PLTD	8	
32	5283	NUT, NYLOC 5/16-18	1	
33	29865	SNAP SWITCH PLATE ASSY.....	1	INCLUDES ITEMS W/%
34%	29864	SNAP FIT SWITCH INSERT	1	
35%	29848	CIRCUIT BREAKER, 2 POLE, 30A SNAP FIT	1	
36%	29847	CIRCUIT BREAKER, 1 POLE, 15A SNAP FIT	5	
39	29798	BALLAST AND CAPACITOR, 230V 50 HZ.....	4	INCLUDES ITEMS W/@
41 @	0051475BH	BALLAST CAPACITOR 30µF @440V	4	
42	29719	SCREW HHC M5-.8 X 8MM PLATED, 8.8 DIN	8	
43	29795	BRACKET, CONTROL PANEL	2	
44	7245454	CONTROL PANEL, LOMBARDINI	1	
45	50404900	KEYS, IGNITION, DOUBLE-SIDED	2	
47	50384401	IGNITION SWITCH	1	
48	GECAP35MF	EXCITATION CAPACITOR 35µF @425V	1	
49	29803	COVER, OUTLET, BLANK, WHITE #RCCBWH.....	2	INCLUDES ITEMS W/\$
52	5065 B	SCREW, RHM #10-32 X 0.5	5	S/N 902625 AND BELOW
53	29640	HOOR METER, SENDEC RECT FLUSH MOUNT	1	S/N 904384 AND BELOW
54	1450	WASHER, FLAT #6 SAE	14	S/N 902625 AND BELOW
55	19819	SCREW, PHP #6-32 X 0.25	14	S/N 902625 AND BELOW
56	29761	MOUNTING PLATE, CONTROL PANEL	1	S/N 904384 AND BELOW
57	12851652	CONTROL PANEL.....	1	S/N 904384 AND BELOW
60	21611	SCREW THP 1/4-20 X 5/8 SS.....	4	S/N 904384 AND BELOW
61	0948	WASHER, FLAT SAE 1/4	4	S/N 904384 AND BELOW
62	29801	CIRCUIT BREAKER, 30A, 227V, SCREW	1	S/N 902625 AND BELOW
63	29376	CIRCUIT BREAKER, 15A, 227VAC KD1800	1	S/N 902625 AND BELOW
64	29688	CIRCUIT BREAKER, 120VAC 10A DLT LIGHT	4	S/N 902625 AND BELOW

FUEL TANK ASSY.



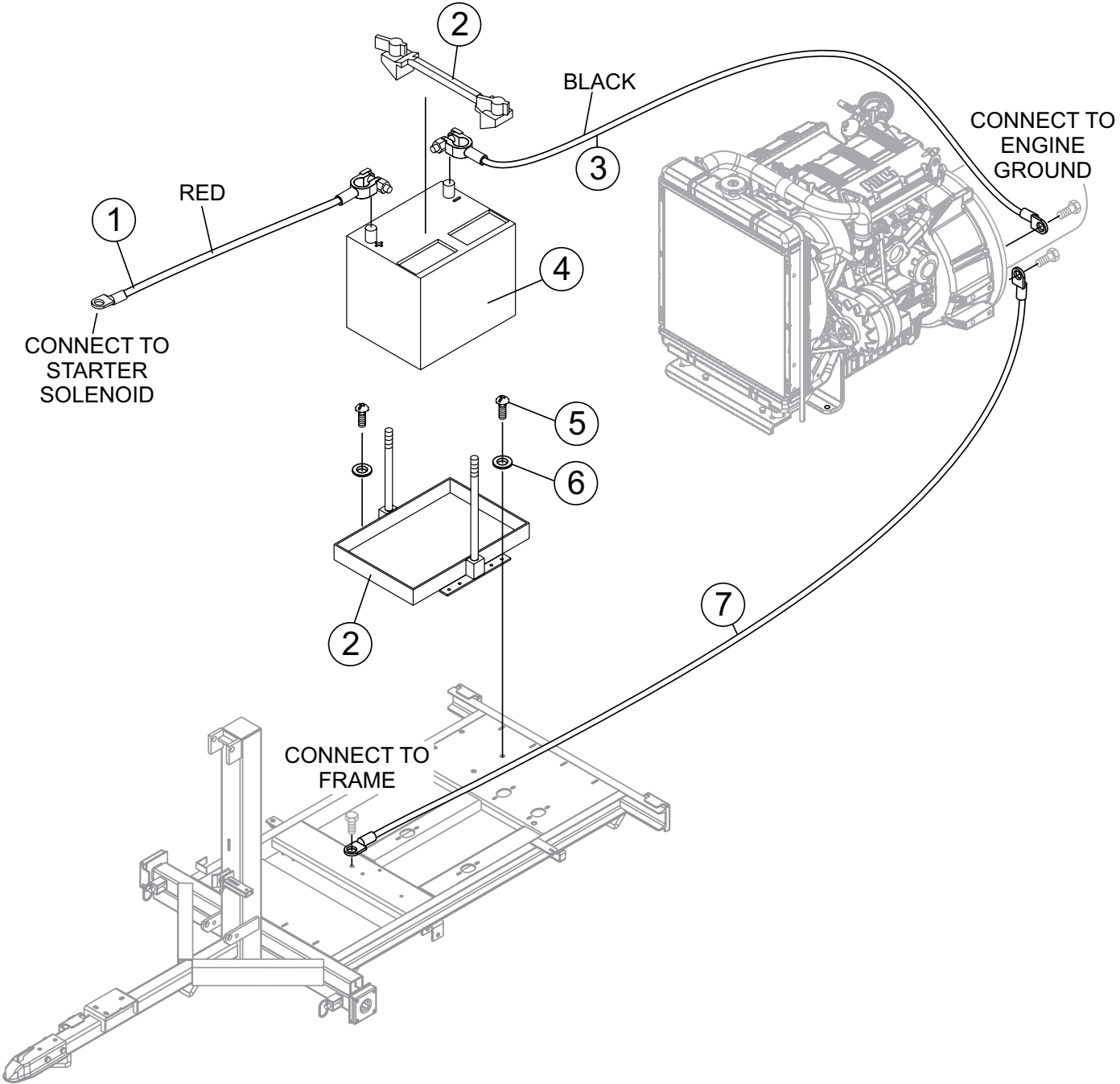
NOTES:

1 CLAMP, ITEM 11 IS INCLUDED WITH FUEL TANK ASSY. ITEM 1.

FUEL TANK ASSY.

<u>NO.</u>	<u>PART NO.</u>	<u>PART NAME</u>	<u>QTY.</u>	<u>REMARKS</u>
1	29676	FUEL TANK ASSY.....	1	INCLUDES ITEMS W/#
2#	29605	FUEL TANK	1	
3#	29694	CAP, FUEL TANK W/LANYARD	1	
4	29674	STRAP, FUEL TANK	1	
5#	19633	BUSHING, FUEL	3	
6#	12006	FITTING, 90°	1	
7#	29677	FITTING, 90°	1	S/N 904605 AND BELOW
7#	20795	VALVE, SHUTOFF 4MBARB X 6SBARB SCREEN	1	S/N 904306 AND ABOVE
8#	19661	VALVE, SHUTOFF 5BARB X 6SBARB NO SCREEN	1	
9	0447	WASHER, FLAT	2	
10	10176	NUT, NYLOCK 1/2-13	2	
11	22066	CLAMP, STEPLESS EAR 3/16 HOSE #123	4	
12	60028	HOSE, FUEL RETURN .312 ID SAE J30R7 AR	1PC = 1 FT.	
13	60004	HOSE, FUEL LINE .187 I.D. SAE J30R7 AR	1PC = 1 FT.	

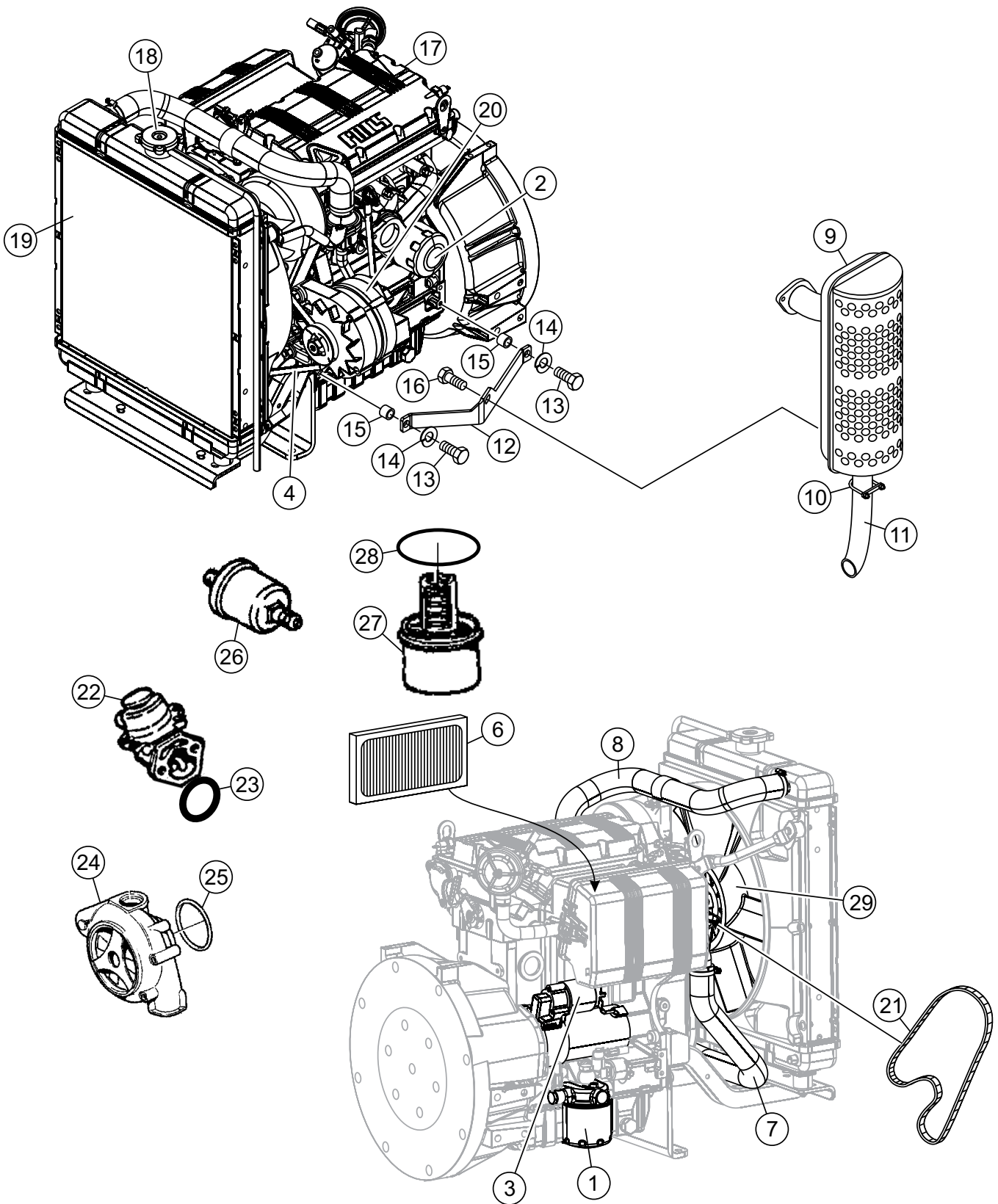
BATTERY ASSY.



BATTERY ASSY.

<u>NO.</u>	<u>PART NO.</u>	<u>PART NAME</u>	<u>QTY.</u>	<u>REMARKS</u>
1	10313	CABLE, POS. BATTERY (+)	1	
2	29661	BATTERY TRAY	1	
3	12278	CABLE, NEG. BATTERY (-)	1	
4	10315	BATTERY, WET 12V GR22	1	
5	1623	SCREW, RHM #10-24 x .75 IN.	4	
6	2203	WASHER, FLAT #10	4	
7	1597	CABLE, BATTERY	1	

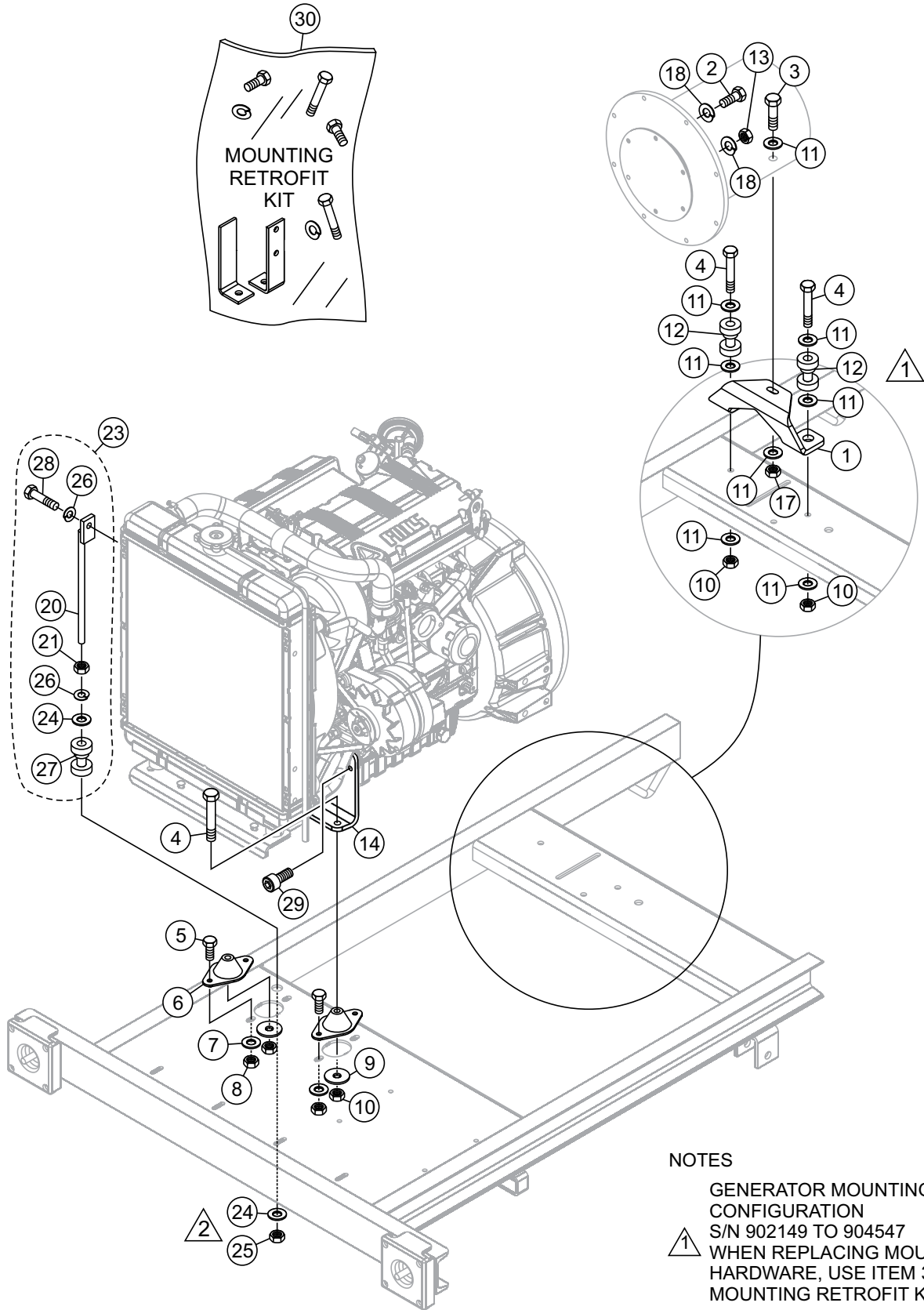
ENGINE ASSY.



ENGINE ASSY.

<u>NO.</u>	<u>PART NO.</u>	<u>PART NAME</u>	<u>QTY.</u>	<u>REMARKS</u>
1	12850347	FUEL FILTER 2-3/4" L	1	
1	2175046	FUEL FILTER 4-3/4" L	1	
1	2175143S	FUEL FILTER W/WATER DRAIN	1	
2	2175107	OIL FILTER	1	
3	5840224	STARTER	1	
4	12850745	FAN BELT 875MM	1	
6	12851312	AIR FILTER	1	
7	12850362	LOWER RADIATOR HOSE	1	
8	12850649	UPPER RADIATOR HOSE	1	
9	5460450	MUFFLER	1	
10	10855	CLAMP, 1-1/2 MUFFLER	1	
11	29645	EXHAUST PIPE	1	
12	29937	BRACE, LOWER MUFFLER	1	
13	21584	BOLT M10-1.5P X 35MM	2	
14	0161 C	WASHER, LOCK 5/16 MED	2	
15	29938	SPACER, MUFFLER BRACKET, 3/8 X 3/4 X 5/8	2	
16	2299	BOLT, M8-1.25P X 16MM	1	
17	29644	ENGINE, LOMBARDINI LDW1003	1	
18	9000184	RADIATOR CAP	1	
19	7350270	RADIATOR	1	
20	12850742	ALTERNATOR	1	
21	2440338	TIMING BELT	1	
22	6585097	FUEL (FEED) PUMP	1	
23	1200087	GASKET, FUEL (FEED) PUMP)	1	
24	6584438	WATER PUMP	1	
25	4580083	GASKET, WATER PUMP	1	
26	6745056	OIL SWITCH	1	
27	9195124	THERMOSTAT	1	
28	12850153	GASKET, THERMOSTAT	1	
29	12850551	COOLING FAN	1	

GENERATOR/ENGINE MOUNTING ASSY. (OLD STYLE)



NOTES

GENERATOR MOUNTING
CONFIGURATION

S/N 902149 TO 904547

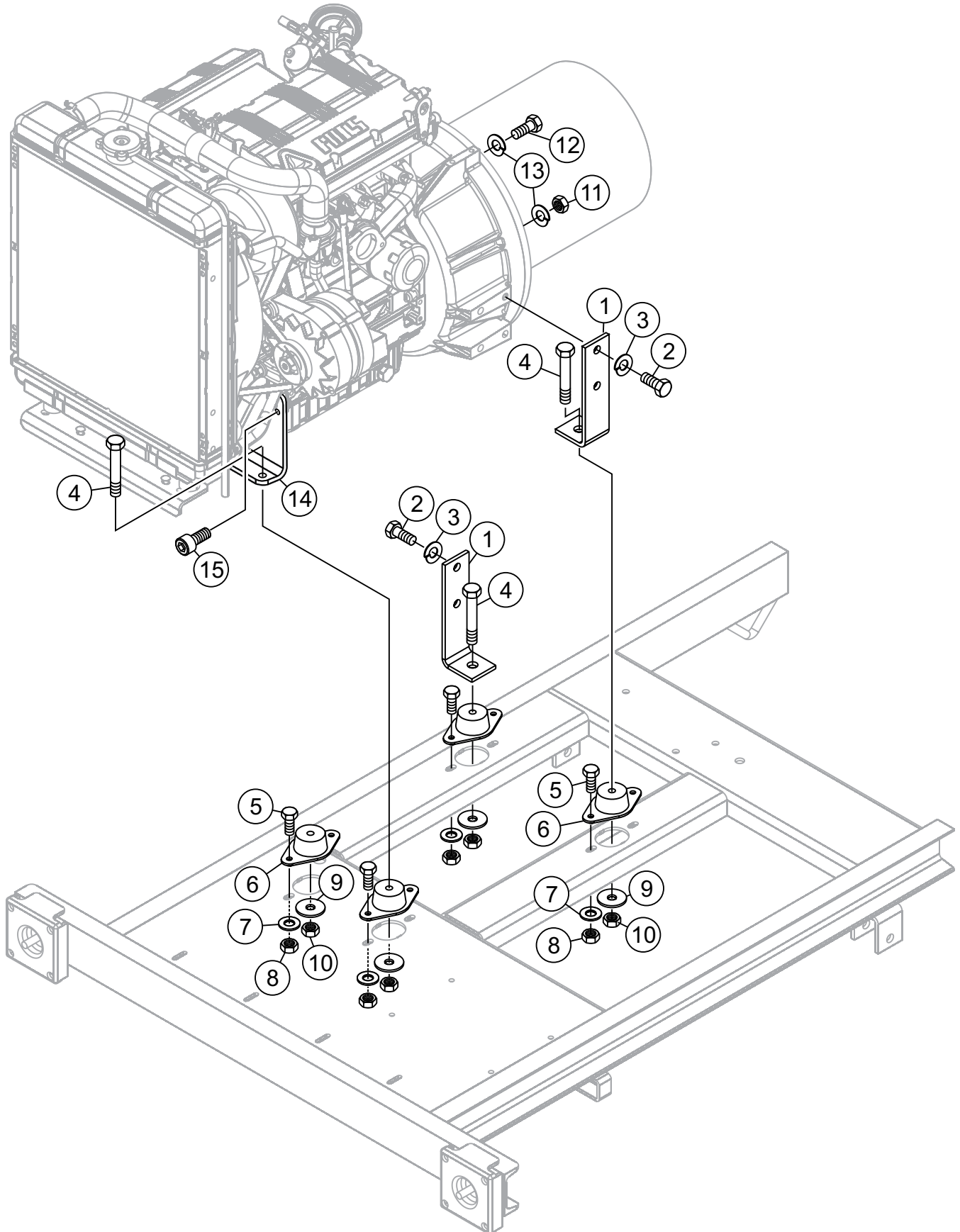
△1 WHEN REPLACING MOUNTING
HARDWARE, USE ITEM 30,
MOUNTING RETROFIT KIT.

△2 INCLUDED WITH ITEM 23,
TORQUE LIMITER KIT

GENERATOR/ENGINE MOUNTING ASSY. (OLD STYLE)

<u>NO.</u>	<u>PART NO.</u>	<u>PART NAME</u>	<u>QTY.</u>	<u>REMARKS</u>
1	29770	SUPPORT, MECC ALTE GEN	1	
2	1023	SCREW, HHC 3/8-16 X 1 1/4 GR 5	8	
3	21584	SCREW, HHC M10-1.5 X 35MM GR 10.9	1	
4	8156	SCREW, HHC 3/8-16 X 2 1/2	4	
5	0655	SCREW, HHC 5/16-18 X 3/4	4	
6	29269	MOUNT, VIBRATORY ENGINE	2	
7	19470	WASHER, FLAT 5/16 USS	4	
8	5283	NUT, NYLOC 5/16-18	4	
9	29043-001	WHEEL, POINTER .41IDx2.00OD C.SAW	2	
10	10133	NUT, NYLOC 3/8-16	4	
11	4001	WASHER, FLAT USS 3/8 PLD	8	
12	29649	MOUNT, VIBRATION KORFUND RB1-200	2	
13	1456	NUT, HEX FINISH 3/8-16	6	
14		MOUNT, FRONT ENGINE.....	1	SUPPLIED BY VENDOR
17	10355	NUT, M10-1.5	1	
18	0166 A	WASHER, LOCK, 3/8 MED.	14	
20%	29883	TORQUE ROD	1	S/N 902141-902913
21%	1456	NUT, HEX FINISH 3/8-16	1	S/N 902141-902913
23	29884	TORQUE LIMITER KIT.....	1	INCLUDES ITEMS W/% S/N 902141-902913
24%	4001	WASHER, FLAT USS 3/8 PLD	2	S/N 902141-902913
25%	10133	NUT, NYLOC 3/8-16	1	S/N 902141-902913
26%	0166 A	WASHER, LOCK, 3/8 MED.	2	S/N 902141-902913
27%	29649	MOUNT, VIBRATION KORFUND RB1-200	1	S/N 902141-902913
28%	21584	SCREW, HHC M10-1.5 X 35MM GR 10.9.....	1	S/N 902141-902913
29		SCREW	2	SUPPLIED BY VENDOR
30	49064	MOUNTING RETROFIT KIT	1	S/N 902149-904547
			CONTACT TECH SUPPORT FOR
			INSTALLATION INSTRUCTIONS

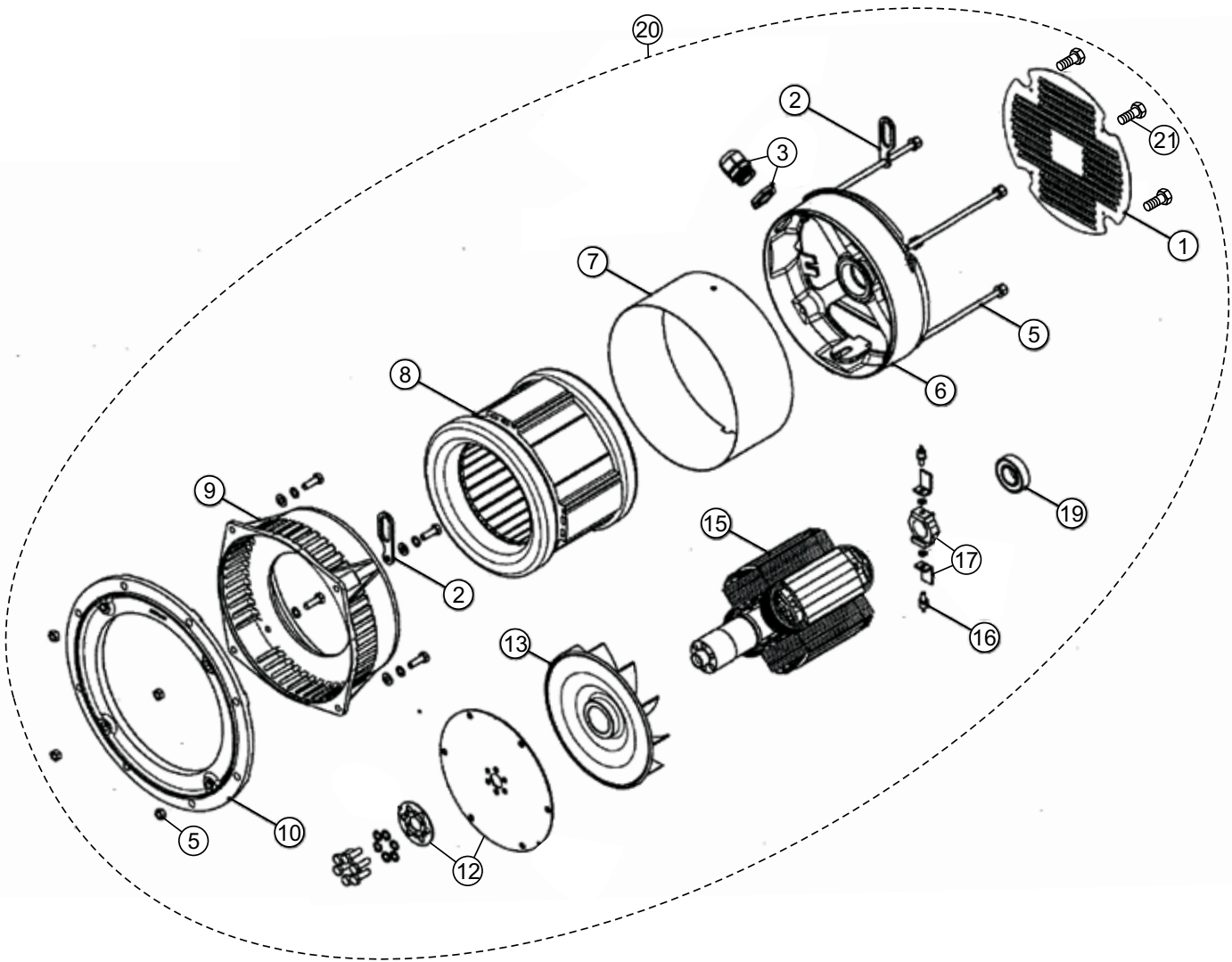
GENERATOR/ENGINE MOUNTING ASSY. (S/N 904548 AND ABOVE)



GENERATOR/ENGINE MOUNTING ASSY. (S/N 904548 AND ABOVE)

<u>NO.</u>	<u>PART NO.</u>	<u>PART NAME</u>	<u>QTY.</u>	<u>REMARKS</u>
1	49003	MOUNT, REAR ENGINE	2	
2	17099	SCREW, HHC M12-1.75 X 20 ZN, DIN933	4	
3	5054 A	WASHER, LOCK 1/2 MED	4	
4	8156	SCREW, HHC 3/8-16 X 2 1/2	4	
5	0655	SCREW, HHC 5/16-18 X 3/4	8	
6	29269	MOUNT, VIBRATORY ENGINE	4	
7	19470	WASHER, FLAT 5/16 USS	8	
8	5283	NUT, NYLOC 5/16-18	8	
9	29043-001	WHEEL, POINTER .411Dx2.00OD C.SAW	4	
10	10133	NUT, NYLOC 3/8-16	4	
11	1456	NUT, HEX FINISH 3/8-16	6	
12	1023	SCREW, HHC 3/8-16 X 1 1/4 GR 5	8	
13	0166 A	WASHER, LOCK, 3/8 MED.	14	
14		MOUNT, FRONT ENGINE.....	1	SUPPLIED BY VENDOR
15		SCREW.....	2	SUPPLIED BY VENDOR

GENERATOR ASSY.

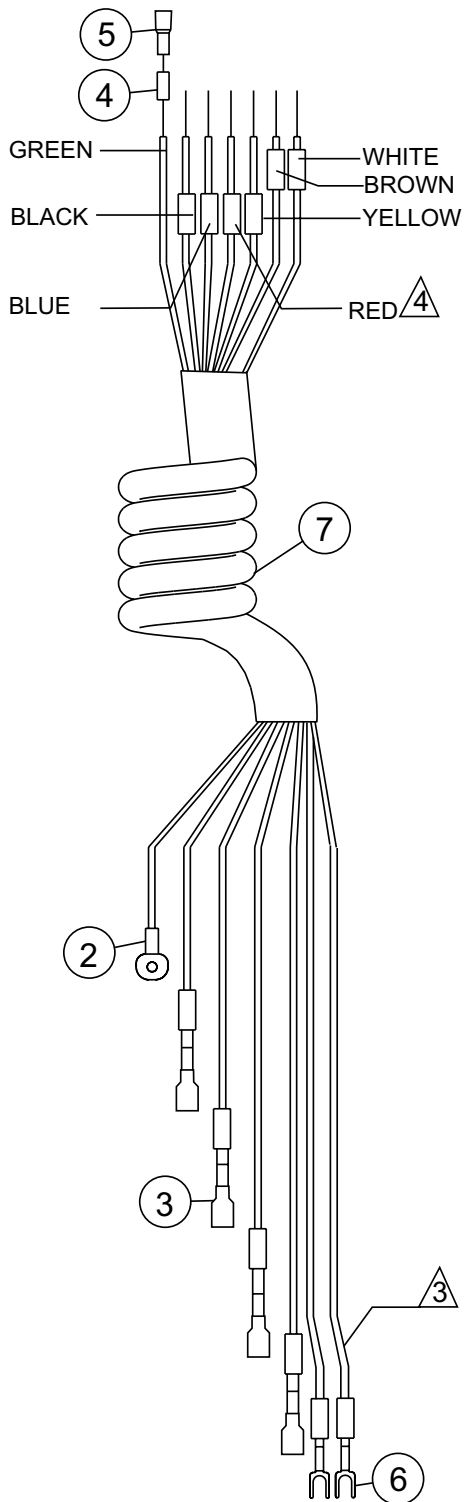


GENERATOR ASSY.

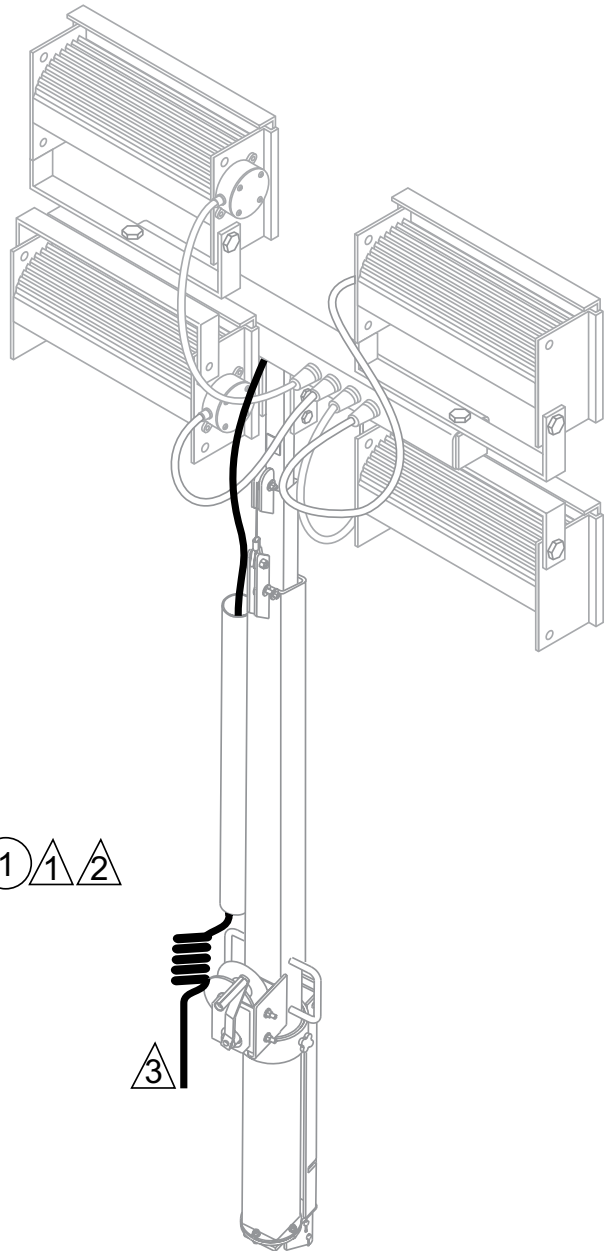
<u>NO.</u>	<u>PART NO.</u>	<u>PART NAME</u>	<u>QTY.</u>	<u>REMARKS</u>
1%	GELT3GRID	REAR SEAL	1	
2%	GELT3LIFTHK	LIFTING HOOK	2	
3%	GELT3CABLEGPG21	PG21 CABLE GLAND AND NUT	1	
5%	GELT3CSBOLTS	COVER STAY BOLT AND NUT	4	
6%	GELT3NDEBRACKET	NON-DRIVE END BRACKET	1	
7%	GELT3110ENCBAND	ENCLOSING BAND	1	
8%	GELT3110STATOR50	WOUND STATOR AND FRAME	1	
9%	GELT3DEBRACKET	DRIVE END BRACKET	1	
10%	6102208193	INTERCHANGEABLE FLANGE	1	
12%	GEECO3DISC65	FLEXIBLE DISC AND RING SPACER	1	
13%	GELT3FAN	FAN	1	
15%	GELT3110ROTOR50	ROTOR ASSY	1	
16%	GEDIO160026	DIODES	2	
17%	GELT3DIOHSINK	HEAT SINK/SUPPORT, ROTATING DIODE BRIDGE	2	
19%	GEBRG6205LL	REAR BEARING 6205-2RS	1	
20	49126	GENERATOR LT3-110/4, 50 HZ.....	1INCLUDES ITEMS W/%
21%	29895SCREW	COVER SCREWS, SET OF 3	1	

COIL CORD ASSY.

CONNECT TO T-BAR ASSEMBLY



CONNECT TO BALLAST BOX OUTPUT



NOTES:

- ① ITEM 1, P/N 29433 (7-WIRE COIL CORD ASSY.), REPLACES P/N 19955 (6-WIRE COIL CORD ASSY.).
- ② WHEN REPLACING 6-WIRE COIL CORD REFERENCE ELECTRICAL SCHEMATIC DIAGRAM IN OPERATION MANUAL OR CONTACT MQ SERVICE DEPT.
- ③ CONNECT THIS END OF COIL CORD ASSY. TO BALLAST BOX. REFERENCE ELECTRICAL SCHEMATIC DIAGRAM IN OPERATION MANUAL.
- ④ CONNECT THIS END OF COIL CORD ASSY. TO T-BAR ASSY. REFERENCE ELECTRICAL SCHEMATIC DIAGRAM IN OPERATION MANUAL.

COIL CORD ASSY.

<u>NO.</u>	<u>PART NO.</u>	<u>PART NAME</u>	<u>QTY.</u>	<u>REMARKS</u>
1	29433	COIL CORD ASSY.....	1	INCLUDES ITEMS W/#
2#	3254	TERMINAL, RING 16-14 3/8	1	
3#	11947	TERMINAL, FEM 16-14 PUSH-ON, INS	4	
4#	19687	CRIMP, SLEEVE (30-410)	7	
5#	19688	INSULATOR, SPLICE CAP	7	
6#	19957	TERMINAL, SPADE 16-14, #10 INS	2	
7#	49030	COIL CORD , 600V, 7-WIRE	1	